



US00D489702S

(12) **United States Design Patent**
Jones

(10) **Patent No.:** **US D489,702 S**

(45) **Date of Patent:** **** May 11, 2004**

(54) **ELECTRONIC TUNER AND CD PLAYER COMBINATION**

(75) **Inventor:** **Mark Jones**, Long Beach, CA (US)

(73) **Assignee:** **Magnadyne Corporation**, Compton, CA (US)

(**) **Term:** **14 Years**

(21) **Appl. No.:** **29/173,583**

(22) **Filed:** **Jan. 2, 2003**

(51) **LOC (7) Cl.** **14-01**

(52) **U.S. Cl.** **D14/168; D14/156**

(58) **Field of Search** D14/135-136,
D14/156-157, 167-168, 188, 193-198,
204, 2, 210-214; 369/75.1-75.2, 77.1-77.2;
455/344, 347-351

(56) **References Cited**

U.S. PATENT DOCUMENTS

D280,503 S * 9/1985 Onozaki et al. D14/156

D331,238 S * 11/1992 Lewis D14/168
D430,553 S * 9/2000 Kokkinis D14/168
D435,534 S * 12/2000 Horikoshi D14/168
D445,773 S * 7/2001 Fenner D14/156

* cited by examiner

Primary Examiner—Nanda Bondade

(74) *Attorney, Agent, or Firm*—Brooks Kushman P.C.

(57) **CLAIM**

The ornamental design for an electronic tuner and CD player combination, as shown and described.

DESCRIPTION

FIG. 1 is a front perspective view of an electronic tuner and CD player combination made in accordance with my new design;

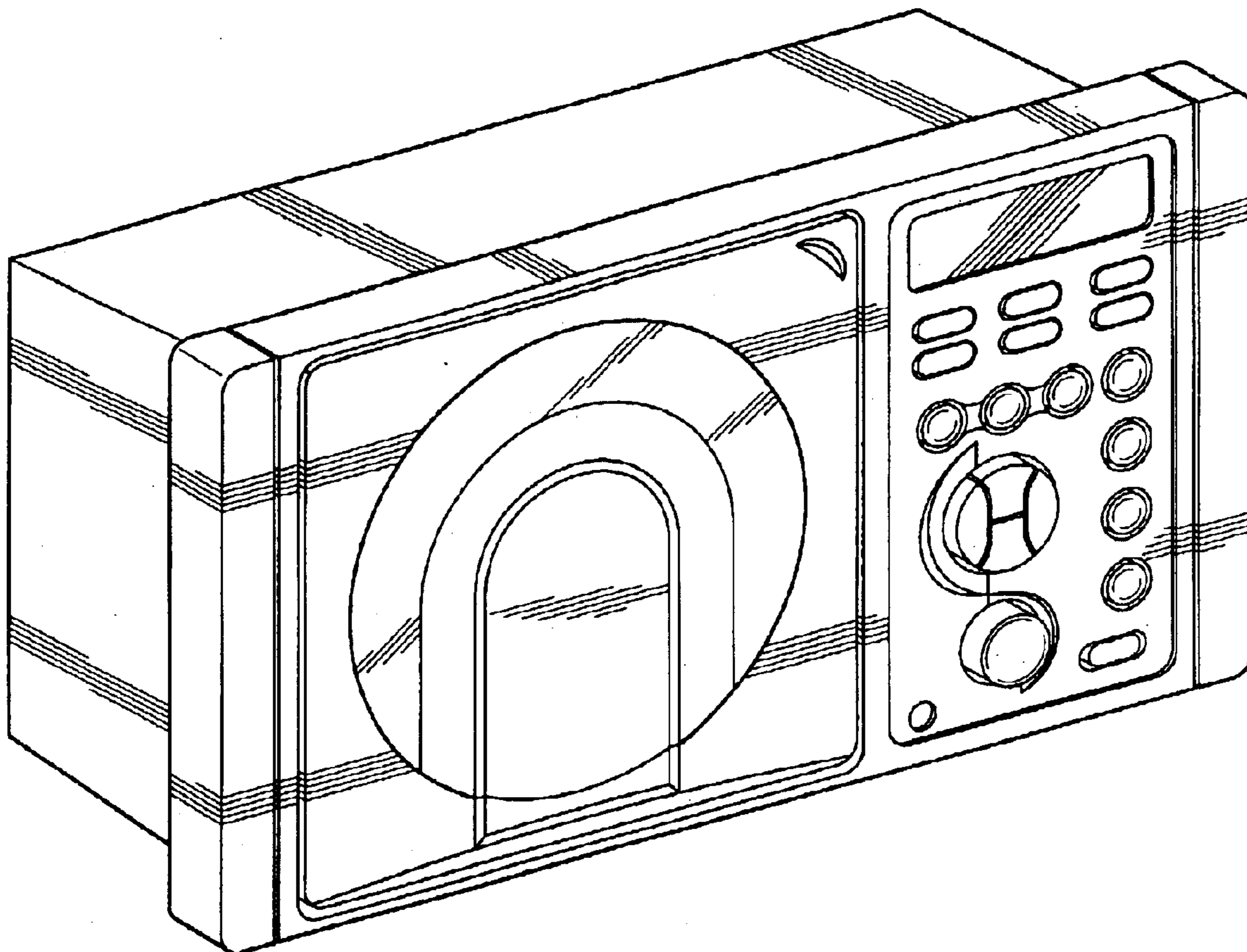
FIG. 2 is a front elevation view thereof;

FIG. 3 is a rear elevation view thereof;

FIG. 4 is a right side elevational view thereof; and,

FIG. 5 is a top plan view thereof.

1 Claim, 3 Drawing Sheets



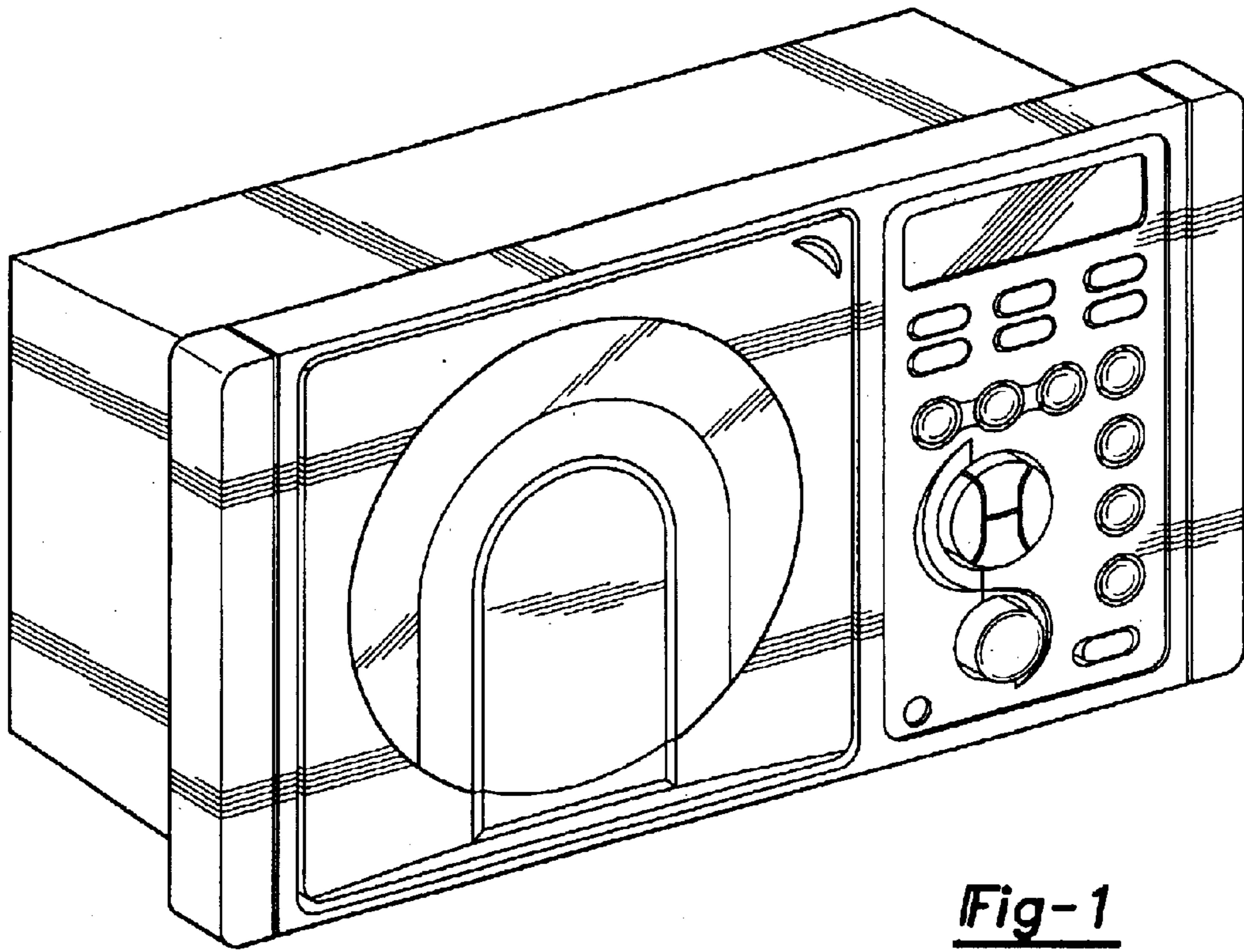


Fig-1

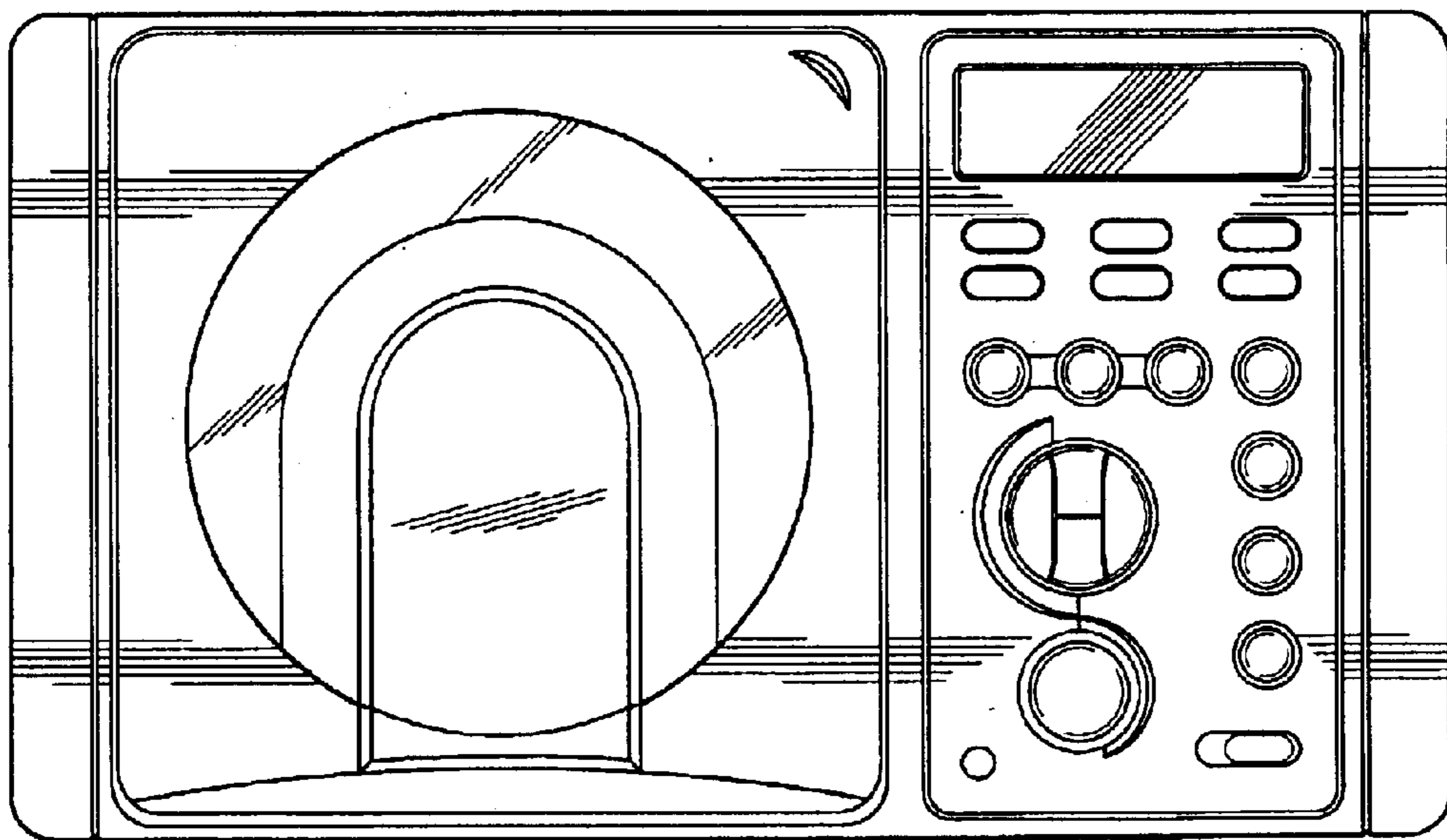


Fig-2

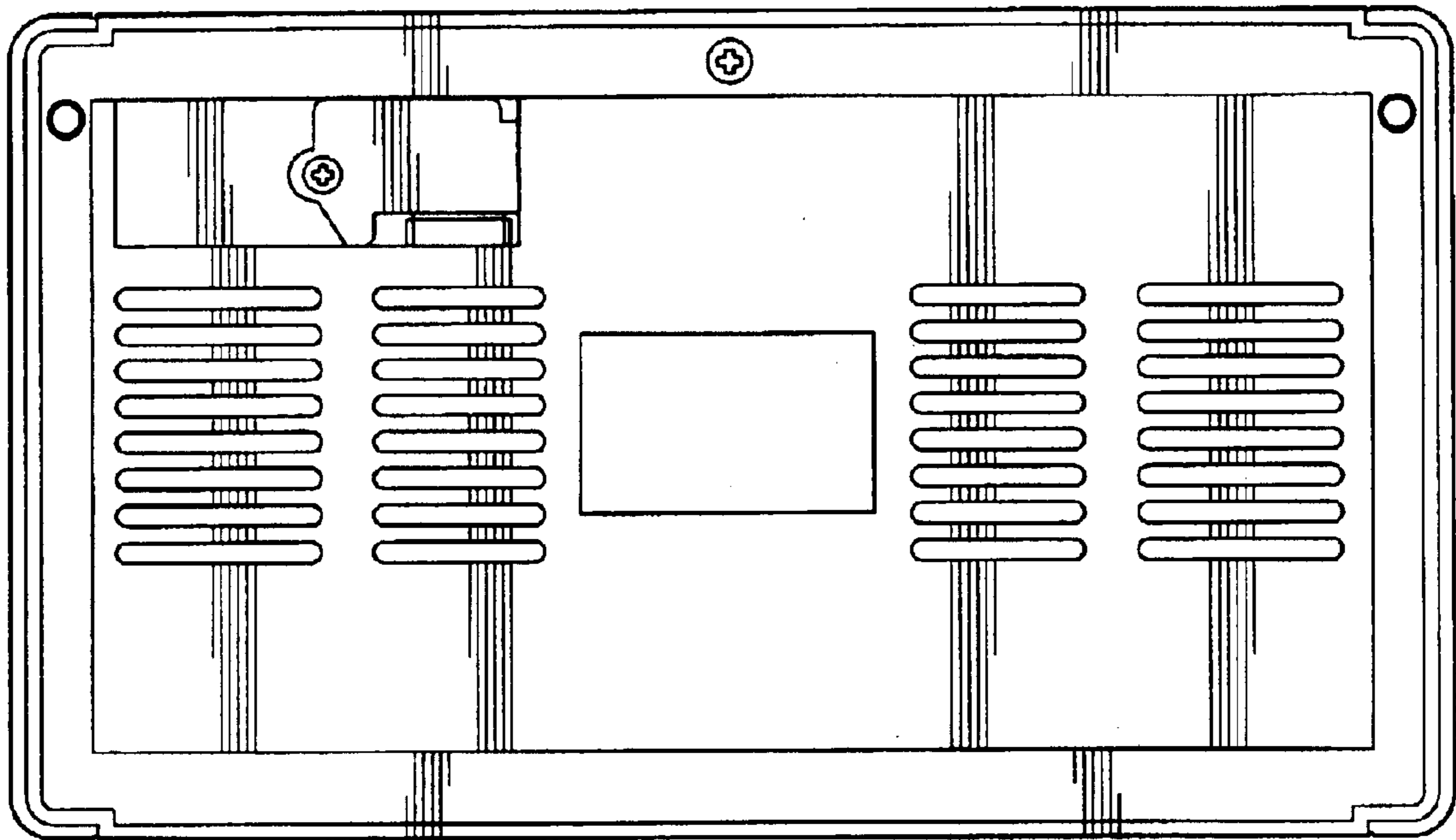
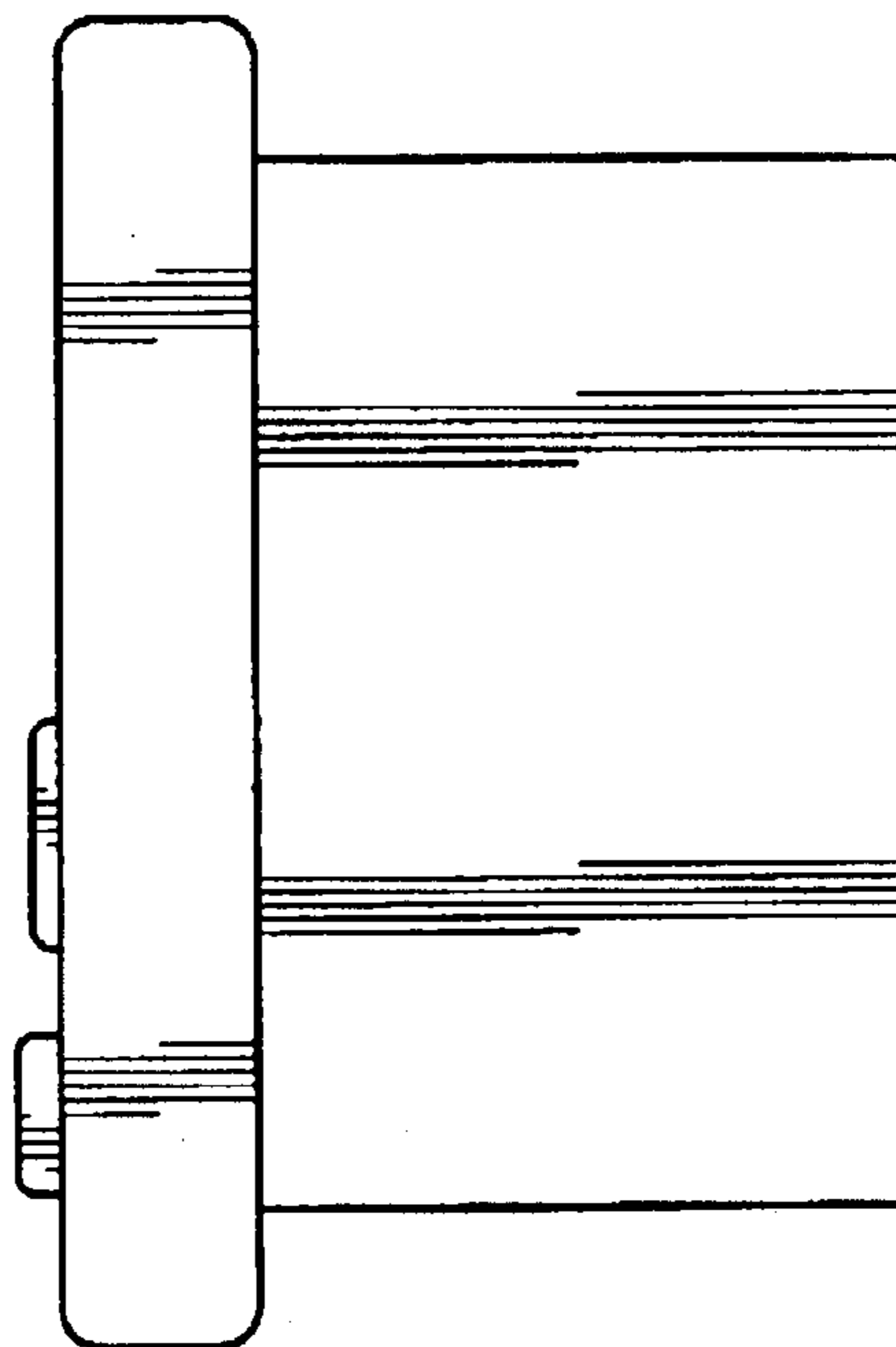


Fig-3

Fig-4



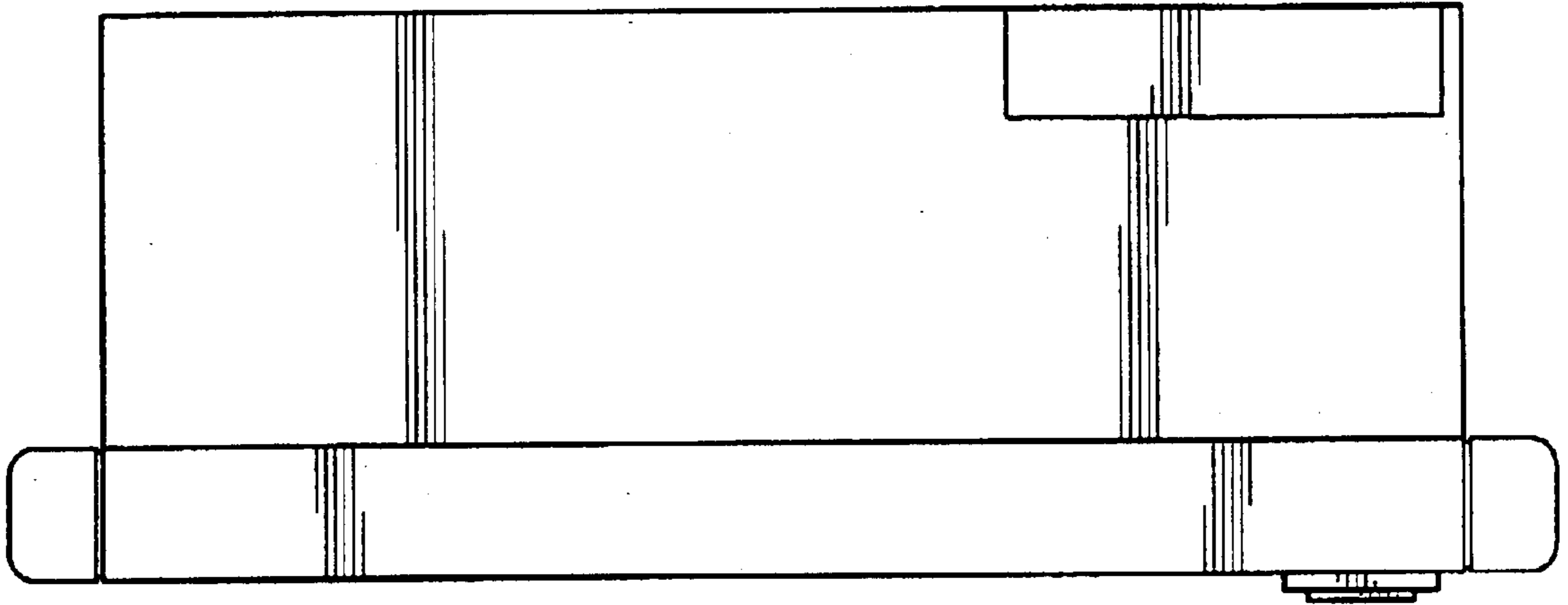


Fig-5