



US00D489698S

(12) **United States Design Patent**  
**Kim et al.**

(10) **Patent No.:** **US D489,698 S**

(45) **Date of Patent:** **\*\* May 11, 2004**

(54) **PORTABLE TELEPHONE**

(75) Inventors: **Jun Kim**, Seoul (KR); **Chang-Hwan Hwang**, Seoul (KR); **Hyun-Seop Kim**, Seoul (KR)

(73) Assignee: **Samsung Electronics Co., Ltd.**, Suwon (KR)

(\*\*) Term: **14 Years**

(21) Appl. No.: **29/182,441**

(22) Filed: **May 27, 2003**

(30) **Foreign Application Priority Data**

Nov. 29, 2002 (KR) ..... 30-2002-0034235

(51) **LOC (7) Cl.** ..... **14-03**

(52) **U.S. Cl.** ..... **D14/138**

(58) **Field of Search** ..... D14/137, 138, D14/218, 147-148, 247-248, 144, 341-347; 379/433.01-433.13, 419, 434, 428.01-428.04, 420.01-420.04, 440; 455/550.1-90.3; D21/517

(56) **References Cited**

**U.S. PATENT DOCUMENTS**

D251,634 S	*	4/1979	Sulek et al.	.....	D18/7
D264,465 S	*	5/1982	MacKenzie	.....	D14/147
4,672,685 A	*	6/1987	Phillips et al.	.....	455/575.7
D291,804 S	*	9/1987	George	.....	D14/138
D292,211 S	*	10/1987	Imazeki	.....	D14/137
D298,243 S	*	10/1988	Watanabe	.....	D14/138
D298,244 S	*	10/1988	Watanabe	.....	D14/138
D325,574 S	*	4/1992	Carver	.....	D14/426
D334,014 S	*	3/1993	Jambhekar et al.	.....	D14/138
D336,472 S	*	6/1993	Lin	.....	D14/138
D340,927 S	*	11/1993	Goatman	.....	D14/137
D342,067 S	*	12/1993	Kawamura et al.	.....	D14/138
D343,835 S	*	2/1994	Nagele et al.	.....	D14/138
D347,005 S	*	5/1994	Suzuki	.....	D14/138
D355,904 S	*	2/1995	Swartz et al.	.....	D14/116
5,461,672 A	*	10/1995	Enokido et al.	.....	379/433.02
D376,142 S	*	12/1996	Matsumoto	.....	D14/138

D377,934 S	*	2/1997	Vondrak et al.	.....	D14/138
D381,020 S	*	7/1997	Harden et al.	.....	D14/138
D385,557 S	*	10/1997	Tomoike et al.	.....	D14/147
D386,493 S	*	11/1997	Mahan	.....	D14/138
D390,554 S	*	2/1998	Larson et al.	.....	D14/137
D393,638 S	*	4/1998	Page et al.	.....	D14/137
D411,536 S	*	6/1999	Page et al.	.....	D14/137
D419,546 S	*	1/2000	Krantz et al.	.....	D14/116
D430,128 S	*	8/2000	Hino et al.	.....	D14/138
D434,744 S	*	12/2000	Lai	.....	D14/138
D439,572 S	*	3/2001	Kang	.....	D14/138
6,408,072 B1	*	6/2002	Fernandez-Martinez	. 379/433.1	
D482,009 S	*	11/2003	Robertson, Jr. et al.	...	D14/137
2002/0006813 A1	*	1/2002	Lubowicki et al.	.....	455/566
2003/0171133 A1	*	9/2003	Mizuta et al.	.....	455/566 X

\* cited by examiner

*Primary Examiner*—Jeffrey Asch

(74) *Attorney, Agent, or Firm*—Flynn, Thiel, Boutell & Tanis, P.C.

(57) **CLAIM**

The ornamental design for a portable telephone, as shown and described.

**DESCRIPTION**

FIG. 1. is a top front perspective view of a portable telephone showing our new design.

FIG. 2. is a front elevational view thereof.

FIG. 3. is a rear elevational view thereof.

FIG. 4. is a left side elevational view thereof. (a right side view is symmetrical to the left side elevational view.)

FIG. 5. is a top plan view thereof.

FIG. 6. is a bottom plan view thereof.

FIG. 7. is a front elevational view of using state thereof.

FIG. 8. is a front elevational view of using state thereof.

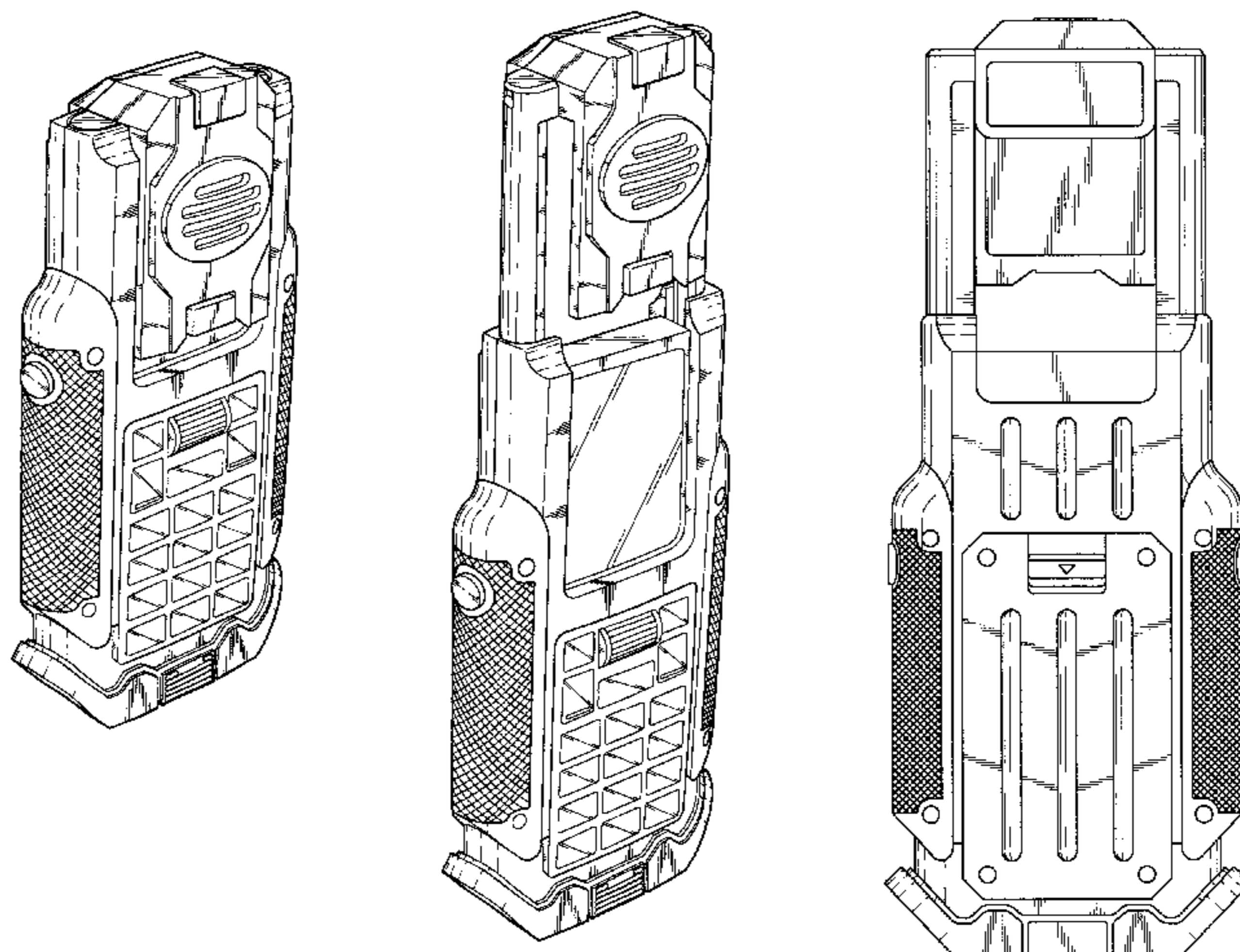
FIG. 9. is a rear elevational view of using state thereof.

FIG. 10. is a left side elevational view of using state thereof. (a right side view is symmetrical to the left side elevational view.)

FIG. 11. is a top plan view of using state thereof; and,

FIG. 12. is a bottom plan view of using state thereof.

**1 Claim, 8 Drawing Sheets**



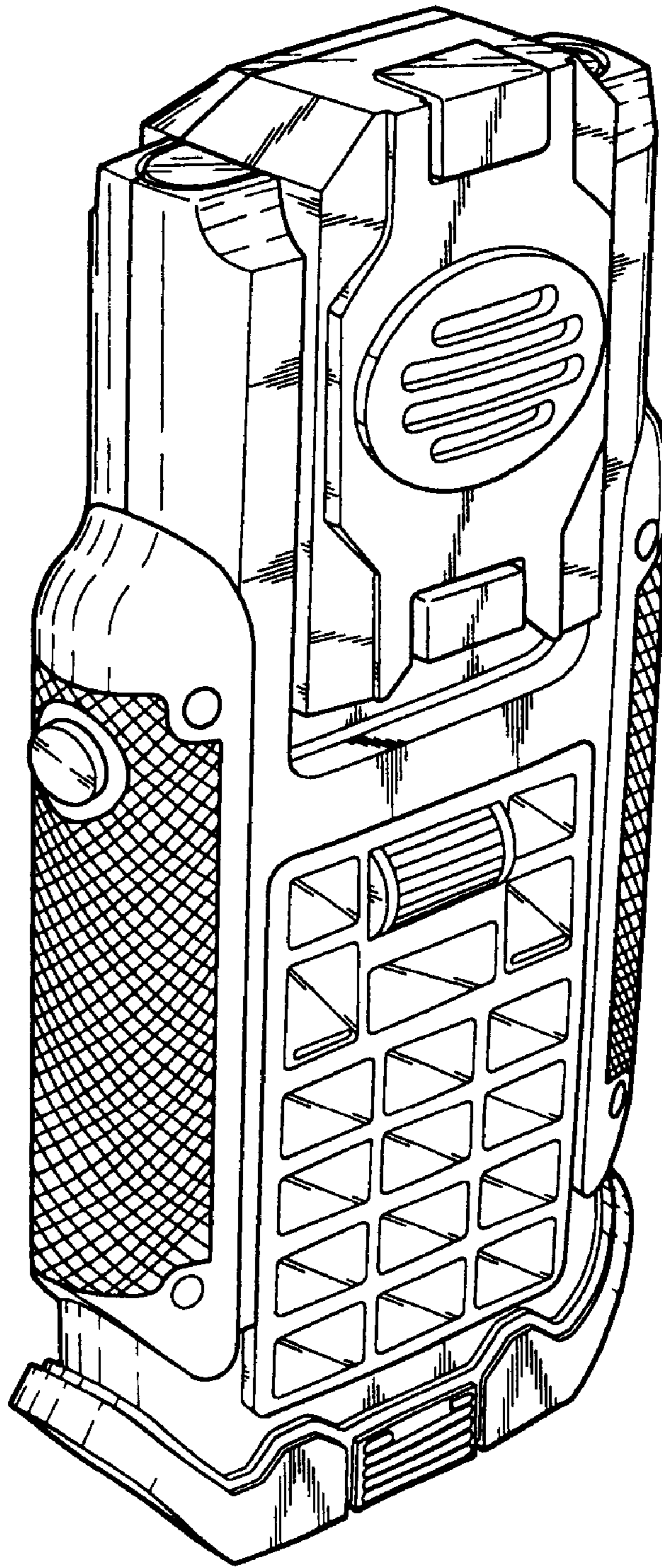


FIG. 1



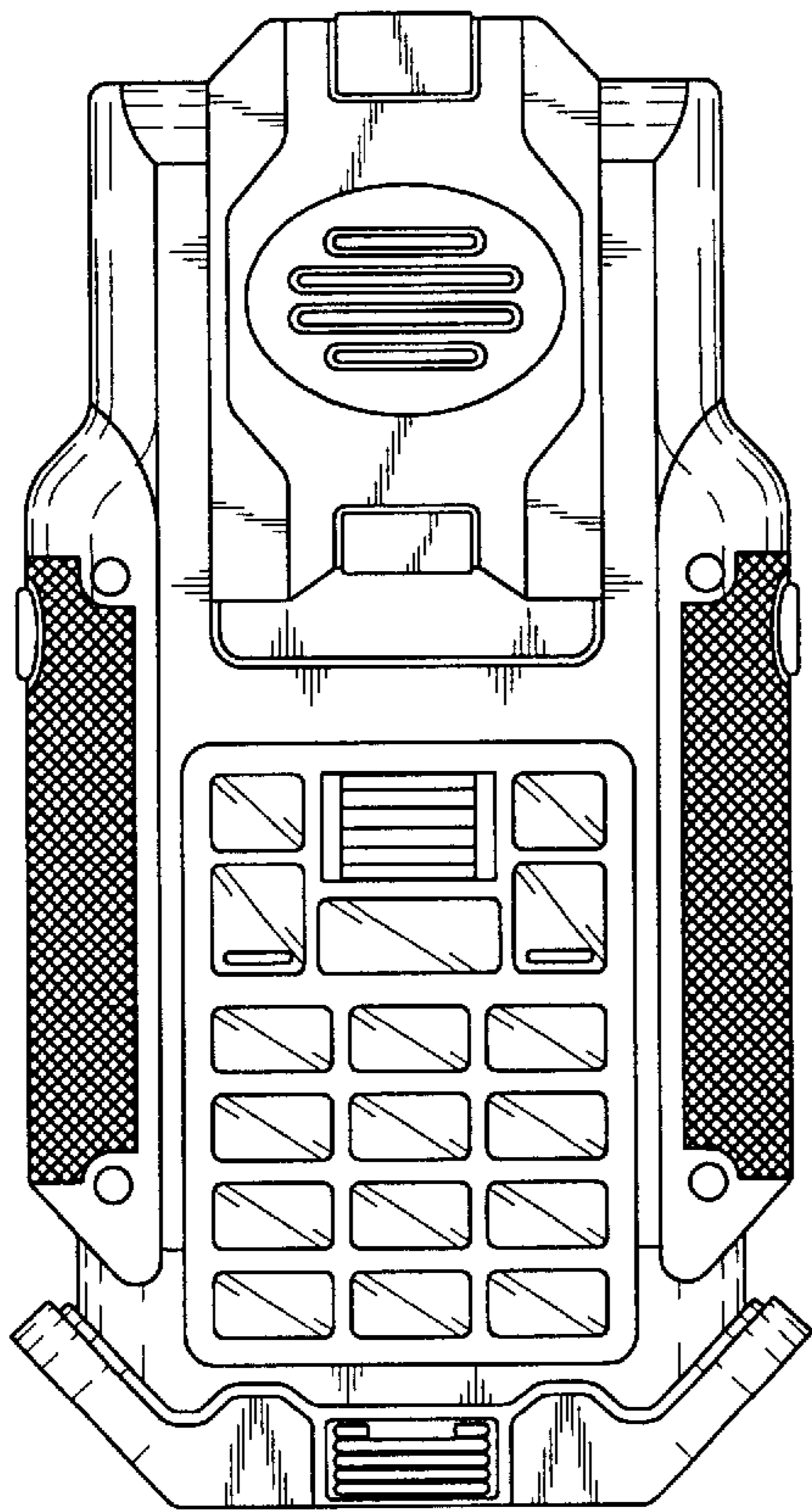


FIG. 2

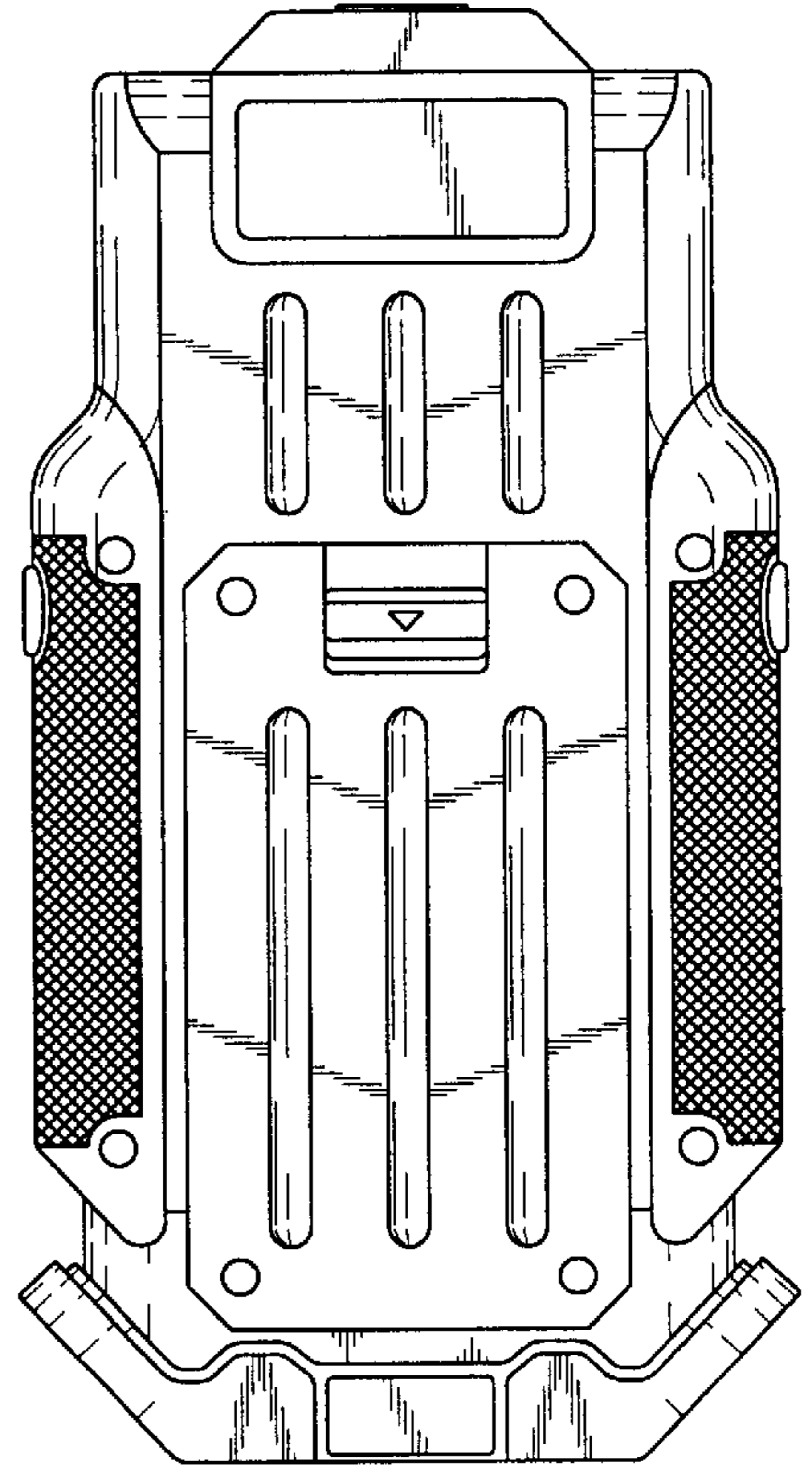


FIG. 3

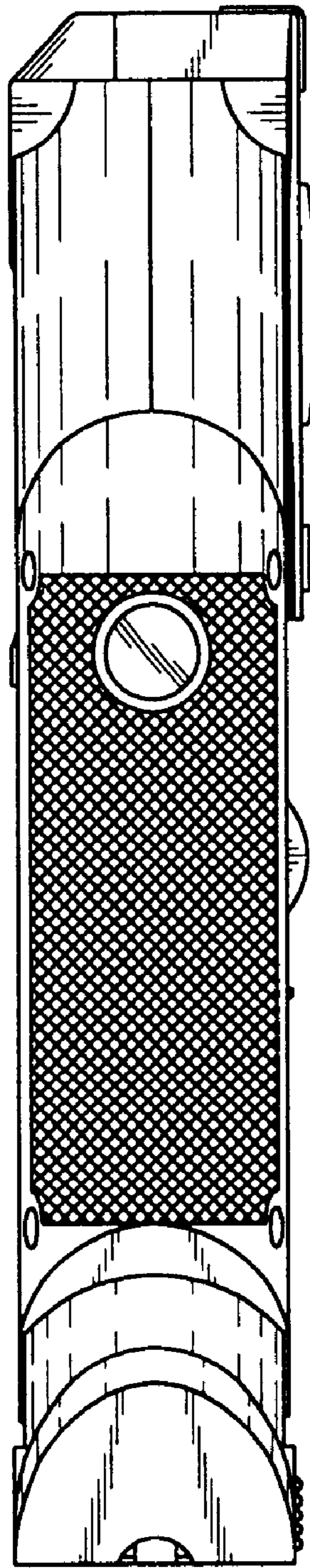


FIG. 4

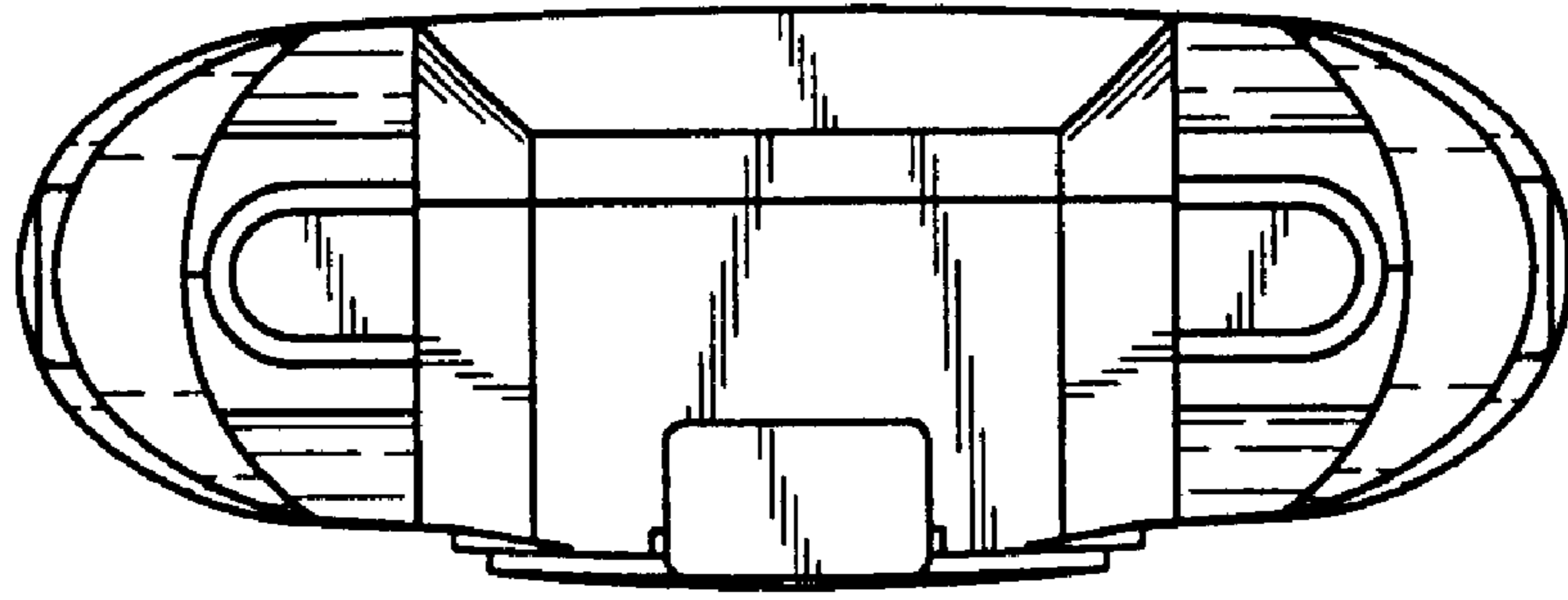


FIG. 5

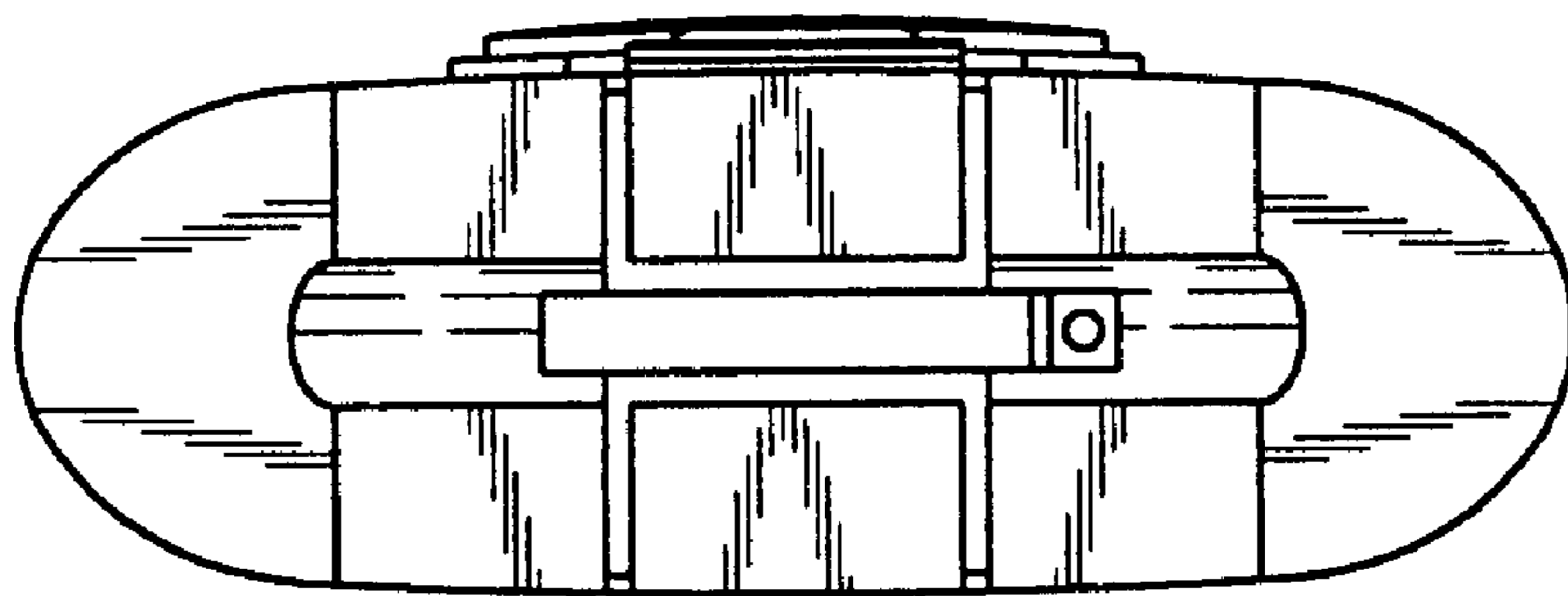


FIG. 6

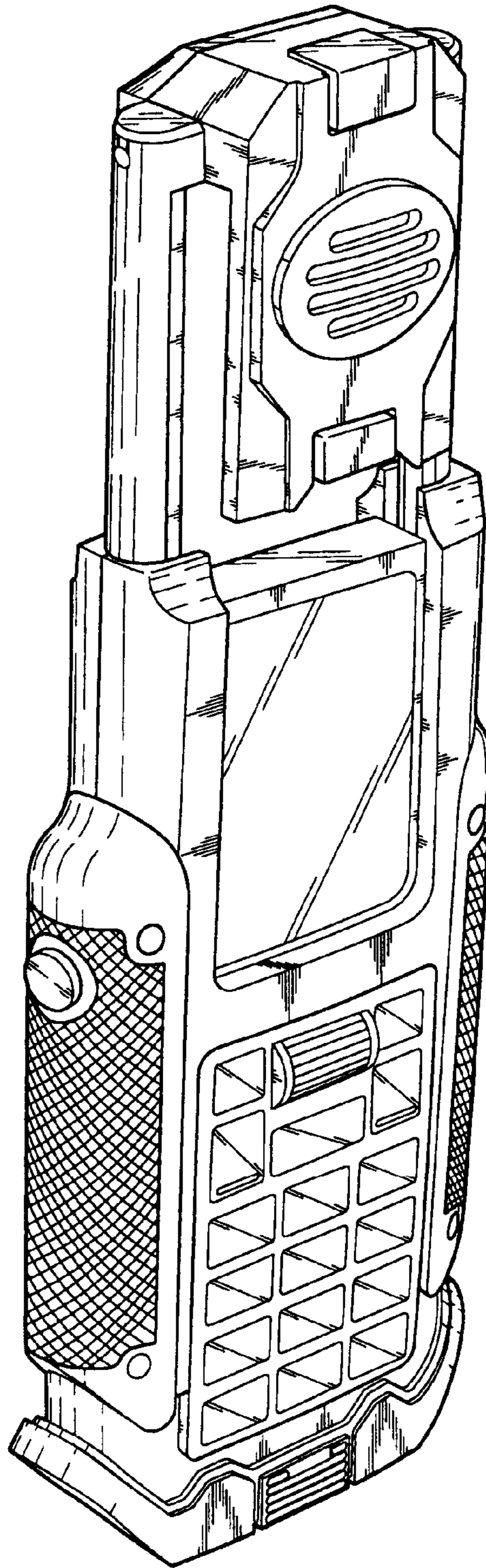


FIG. 7



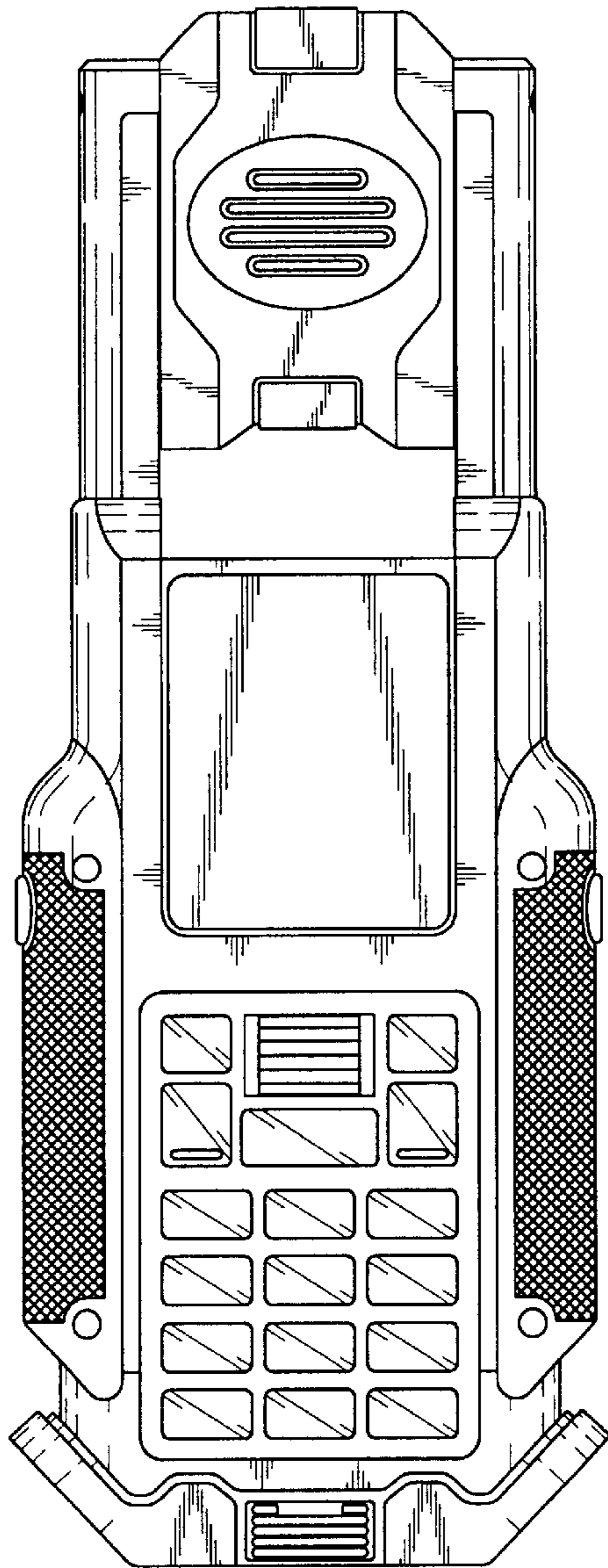


FIG. 8

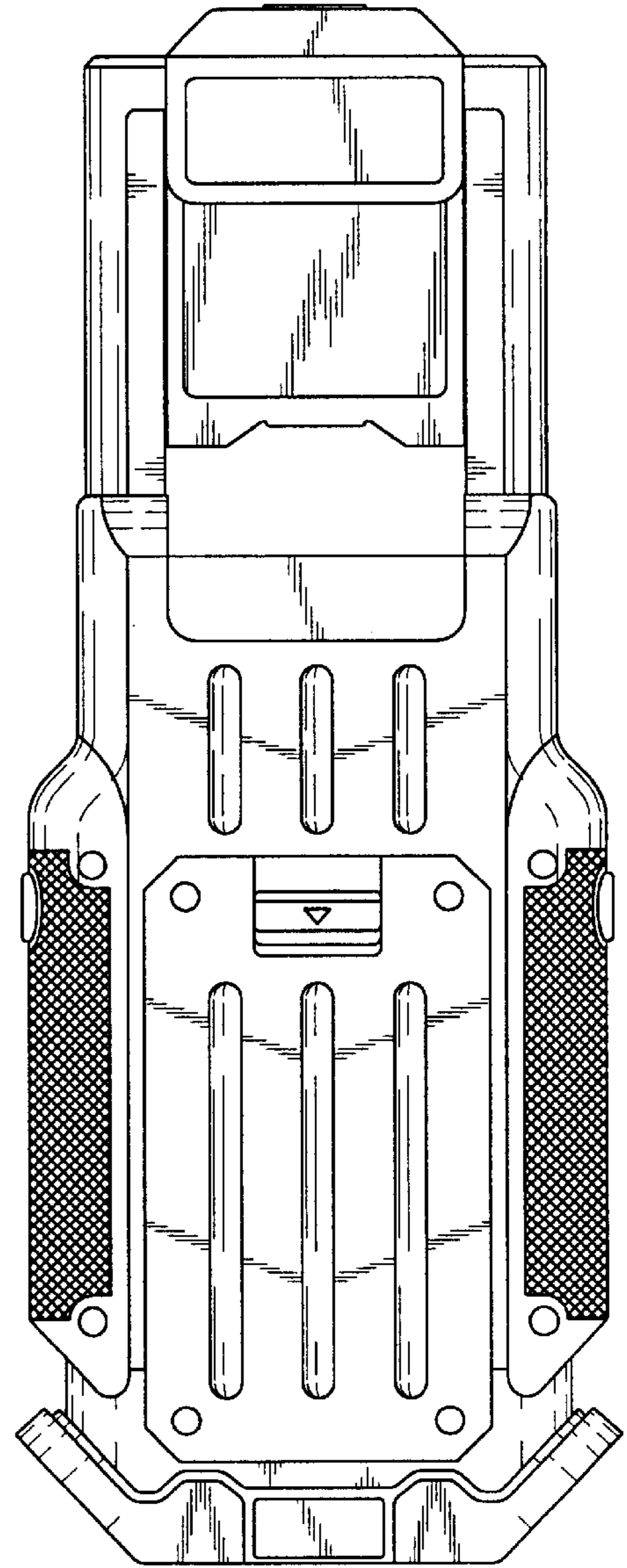


FIG. 9

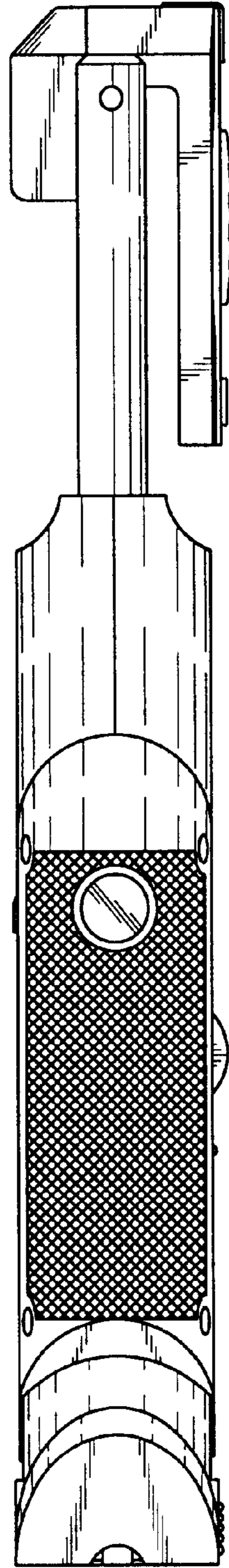


FIG. 10



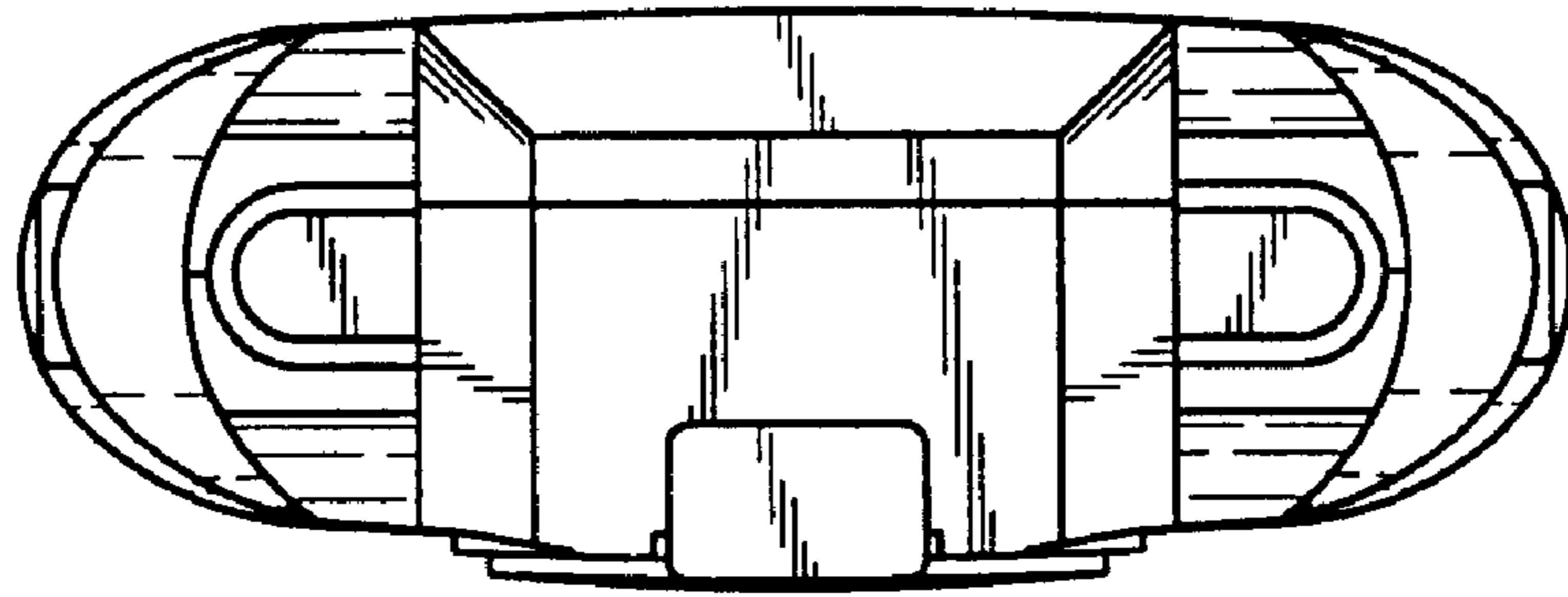


FIG. 11

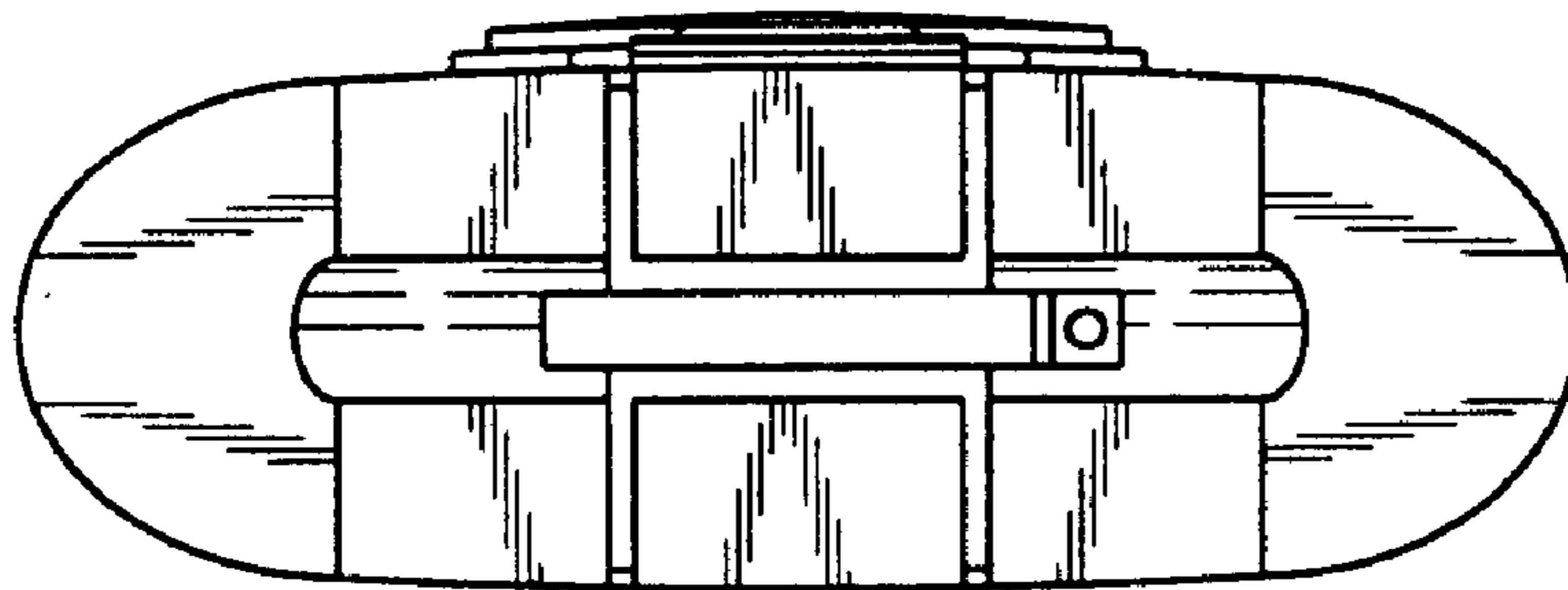


FIG. 12