



US00D489689S

(12) **United States Design Patent**  
**Kozu et al.**

(10) **Patent No.:** **US D489,689 S**

(45) **Date of Patent:** **\*\* May 11, 2004**

(54) **FUSE**

**FOREIGN PATENT DOCUMENTS**

(75) Inventors: **Katsumi Kozu**, Hyogo (JP); **Takeshi Ishimaru**, Osaka (JP); **Masatoshi Izaki**, Miyazaki (JP); **Kenji Senda**, Fukui (JP)

GB	2205455	12/1988
JP	02-100221	4/1990
JP	04-73835	3/1992
JP	04-129123	4/1992
JP	D1039766	5/1999
JP	D1039766/1	5/1999
JP	D1039766/2	5/1999
JP	D1039766/3	5/1999
JP	D1041782	6/1999
JP	D1057596	1/2000
JP	D1058484	1/2000
JP	D1058485	1/2000
JP	D1058484/1	3/2000
JP	D1058484/2	3/2000
JP	D1058485/1	3/2000
JP	D1058485/2	3/2000
JP	D1097986	1/2001
JP	D1129089	12/2001
JP	D1129574	12/2001

(73) Assignee: **Matsushita Electric Industrial Co., Ltd.**, Osaka (JP)

(\*\*) Term: **14 Years**

(21) Appl. No.: **29/171,755**

(22) Filed: **Nov. 27, 2002**

(30) **Foreign Application Priority Data**

May 30, 2002 (JP) ..... 2002-014499

(51) **LOC (7) Cl.** ..... **13-03**

(52) **U.S. Cl.** ..... **D13/161**

(58) **Field of Search** ..... D13/160, 161, D13/178; 200/275; 307/10.1, 10.8; 337/186, 198, 227, 228, 231, 234, 241; 439/607, 621

(56) **References Cited**

**U.S. PATENT DOCUMENTS**

3,829,808	A *	8/1974	Blewitt et al.	337/186
4,494,104	A	1/1985	Holmes	
5,097,247	A	3/1992	Doerrwaechter	
D325,193	S *	4/1992	Kudo	D13/161
5,426,411	A *	6/1995	Pimpis et al.	337/186
5,905,426	A *	5/1999	Douglass	337/229
5,939,969	A	8/1999	Doerrwaechter et al.	
D419,532	S *	1/2000	Hibayashi	D13/161
6,067,004	A *	5/2000	Hibayashi et al.	337/227
6,248,965	B1 *	6/2001	Thomas	200/240
6,373,370	B1 *	4/2002	Darr et al.	337/243
6,373,371	B1	4/2002	Doerrwaechter et al.	
6,448,882	B1 *	9/2002	Inaba et al.	337/227

\* cited by examiner

*Primary Examiner*—Ted Shooman

*Assistant Examiner*—Selina Sikder

(74) *Attorney, Agent, or Firm*—Brinks Hofer Gilson & Lione

(57) **CLAIM**

The ornamental design for a fuse, as shown and described.

**DESCRIPTION**

FIG. 1 is a front perspective view of a fuse of the present invention;

FIG. 2 is a top view thereof;

FIG. 3 is a first side view thereof;

FIG. 4 is a bottom view thereof;

FIG. 5 is a second side view thereof;

FIG. 6 is a first end view thereof; and,

FIG. 7 is a second end view thereof.

**1 Claim, 2 Drawing Sheets**

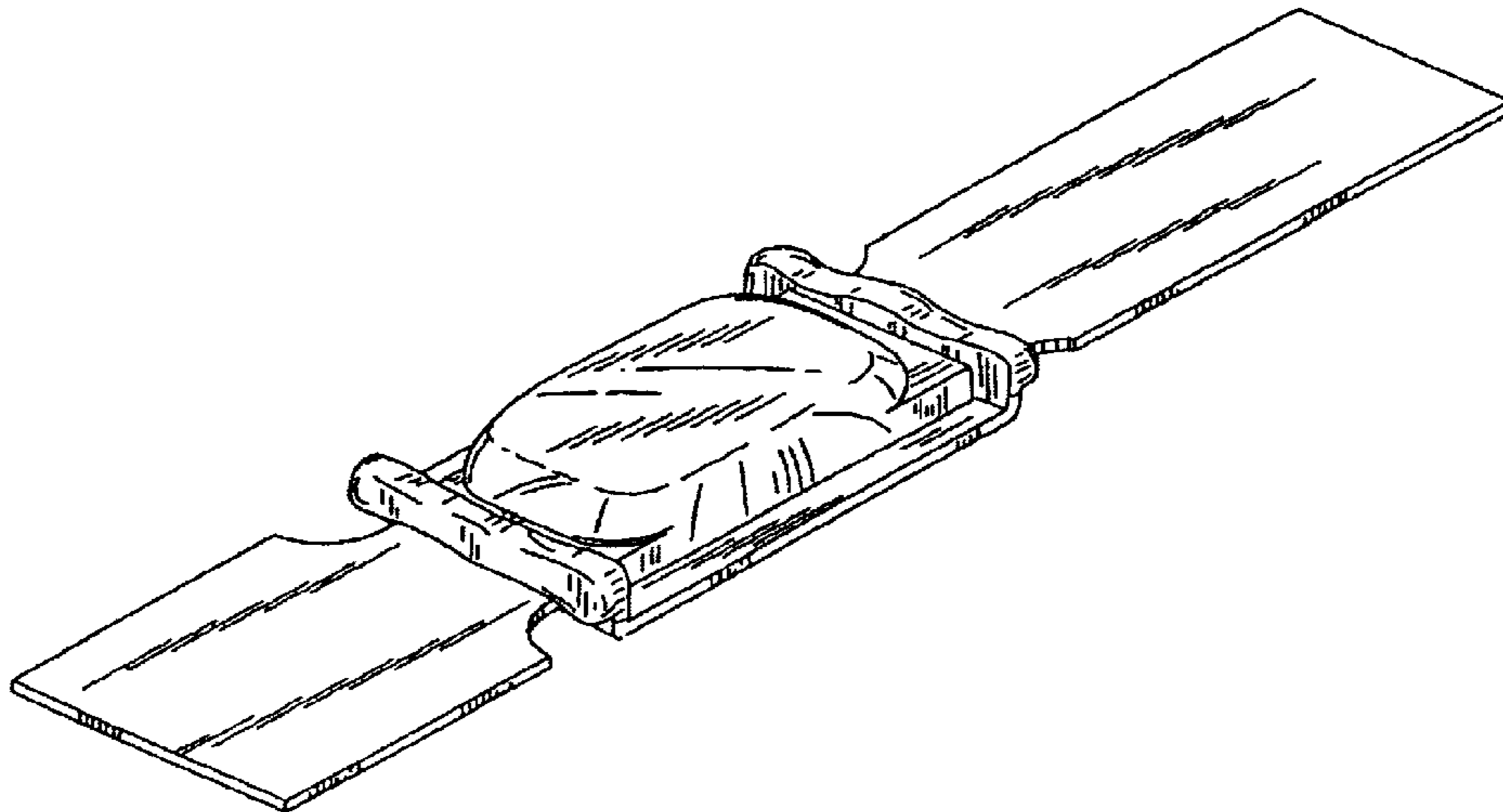


FIG 1

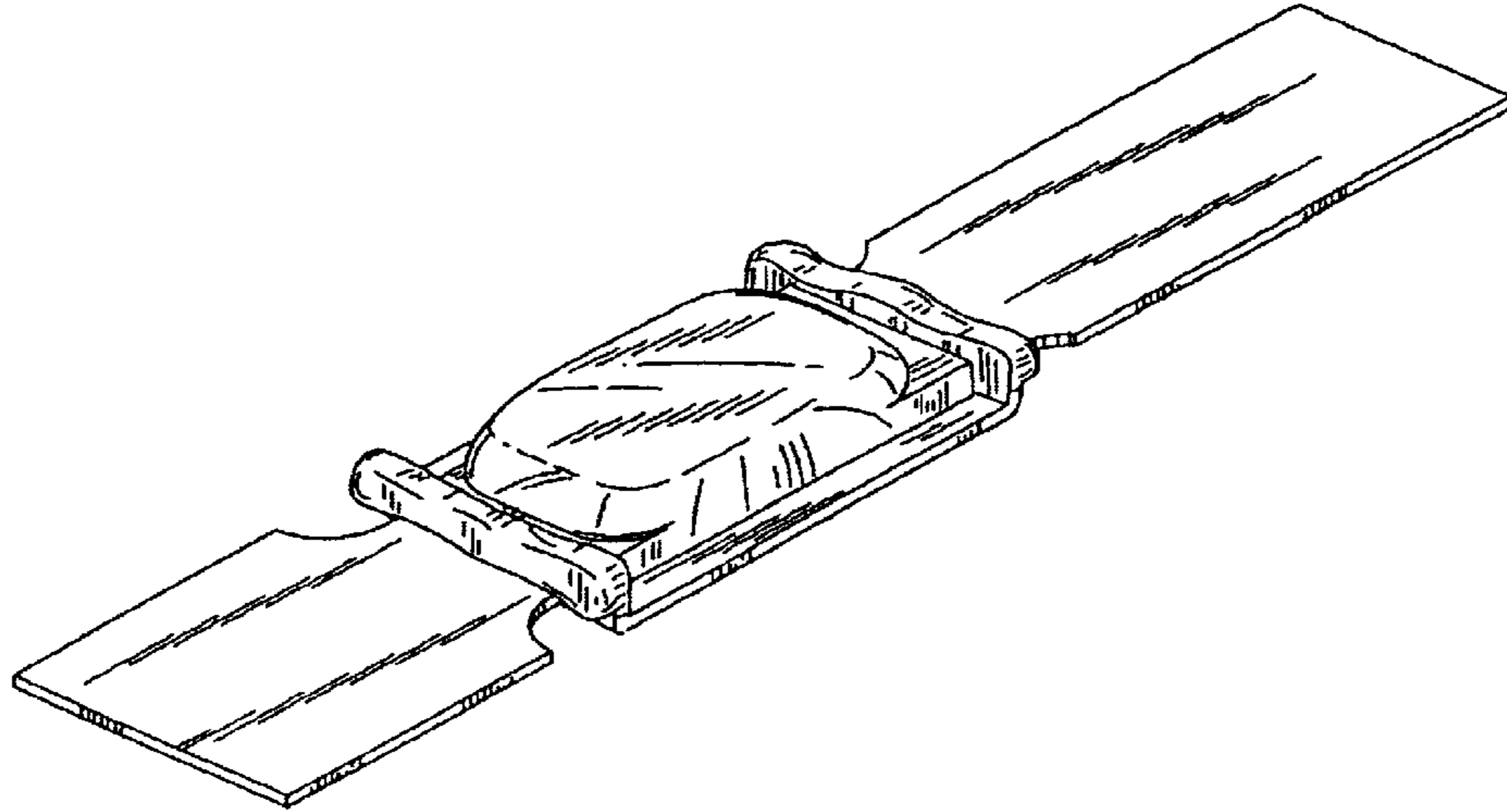


FIG 2

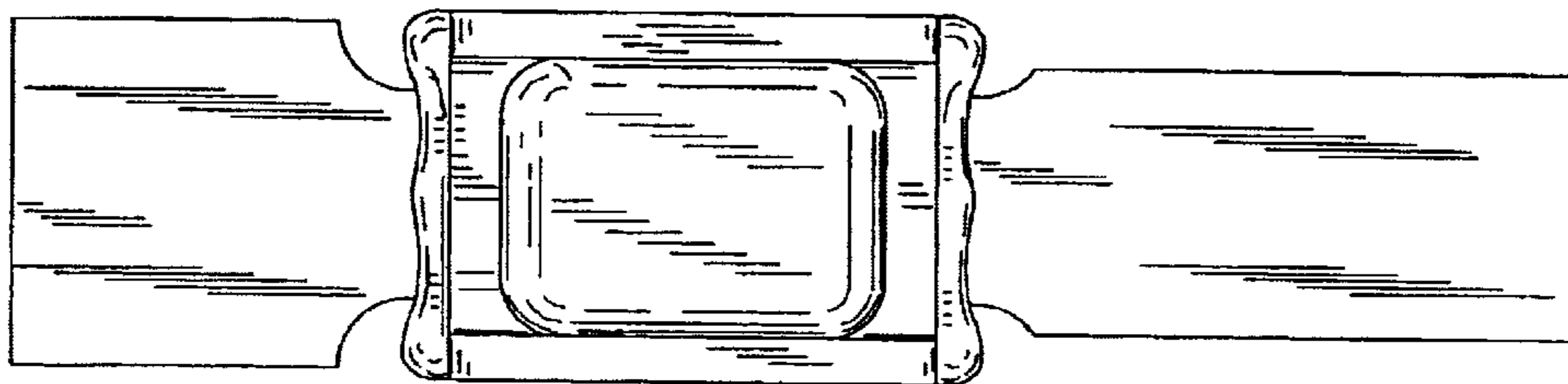


FIG 3



FIG 4

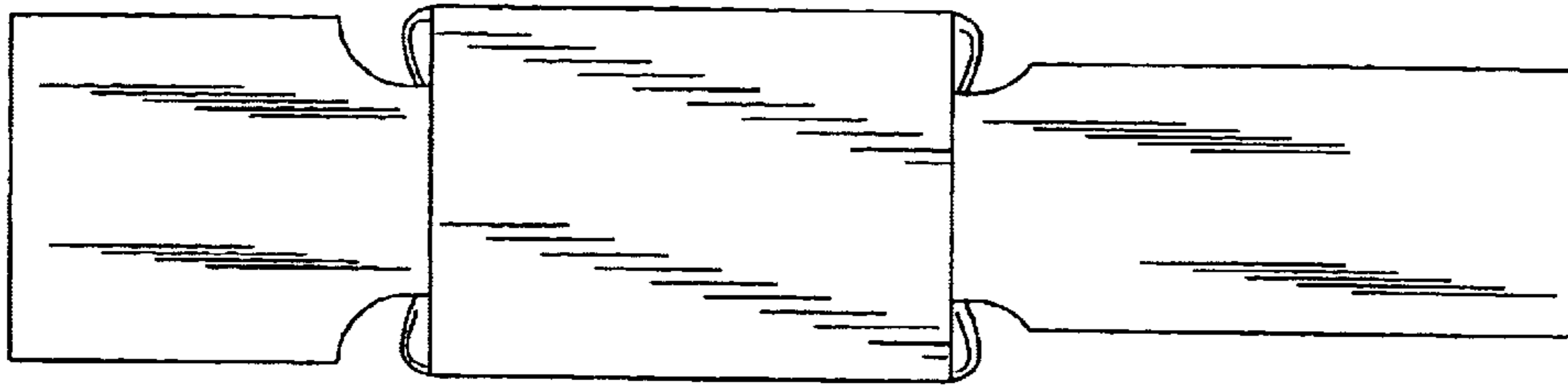


FIG 5



FIG 6



FIG 7

