



US00D489688S

(12) **United States Design Patent**
Jiang

(10) **Patent No.:** **US D489,688 S**

(45) **Date of Patent:** **** May 11, 2004**

(54) **PLUG CONNECTOR**

(75) Inventor: **Hon Lin Jiang**, Kunsan (CN)

(73) Assignee: **Hon Hai Precision Ind. Co., Ltd.**,
Taipei Hsien (TW)

(**) Term: **14 Years**

(21) Appl. No.: **29/180,944**

(22) Filed: **May 2, 2003**

(30) **Foreign Application Priority Data**

Apr. 2, 2003 (CN) 092301842

(51) **LOC (7) Cl.** **13-03**

(52) **U.S. Cl.** **D13/147**

(58) **Field of Search** D13/133, 146,
D13/147, 154; D14/433, 436; 439/108,
352, 353, 357, 358, 488, 483, 582, 607-610,
677-681, 686, 687, 694, 844, 854, 855,
902

(56) **References Cited**

U.S. PATENT DOCUMENTS

5,273,459 A * 12/1993 Davis 439/607
D361,989 S * 9/1995 Cox D14/433

D370,463 S * 6/1996 Nagele et al. D13/147
D395,036 S * 6/1998 Goto D13/147
5,788,537 A * 8/1998 Davis et al. 439/607
D416,542 S * 11/1999 Tsai D13/153
D440,205 S * 4/2001 Lord D13/147
D447,482 S * 9/2001 Lin D14/436
D447,732 S * 9/2001 Arai D13/147
D465,784 S * 11/2002 Lin D14/433

* cited by examiner

Primary Examiner—Philip S. Hyder

Assistant Examiner—Selina Sikder

(74) *Attorney, Agent, or Firm*—Wei Te Chung

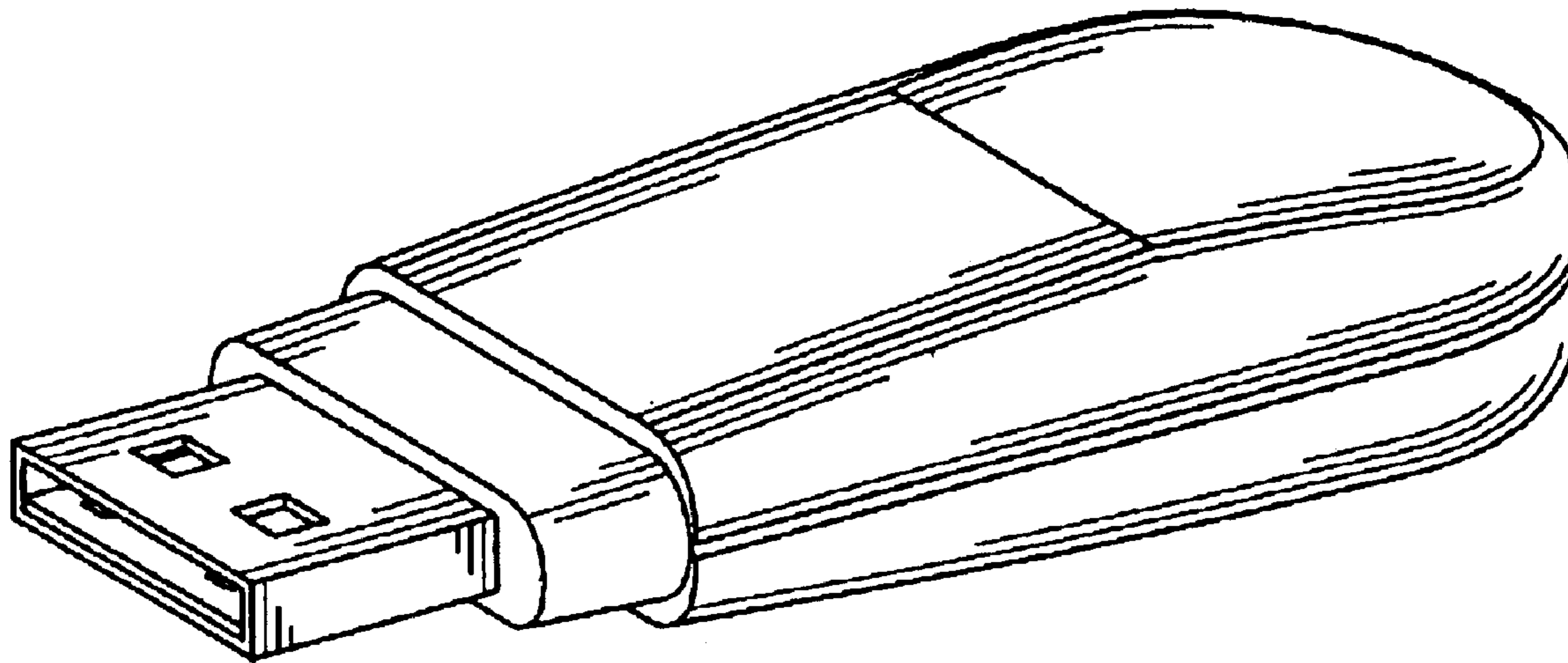
(57) **CLAIM**

The ornamental design for a plug connector, as shown.

DESCRIPTION

FIG. 1 is a front, top and right side perspective view of a plug connector showing my new design;
FIG. 2 is a front elevational view thereof;
FIG. 3 is a rear elevational view thereof;
FIG. 4 is a left side elevational view thereof;
FIG. 5 is a right side elevational view thereof;
FIG. 6 is a top plan view thereof; and,
FIG. 7 is a bottom plan view thereof.

1 Claim, 6 Drawing Sheets



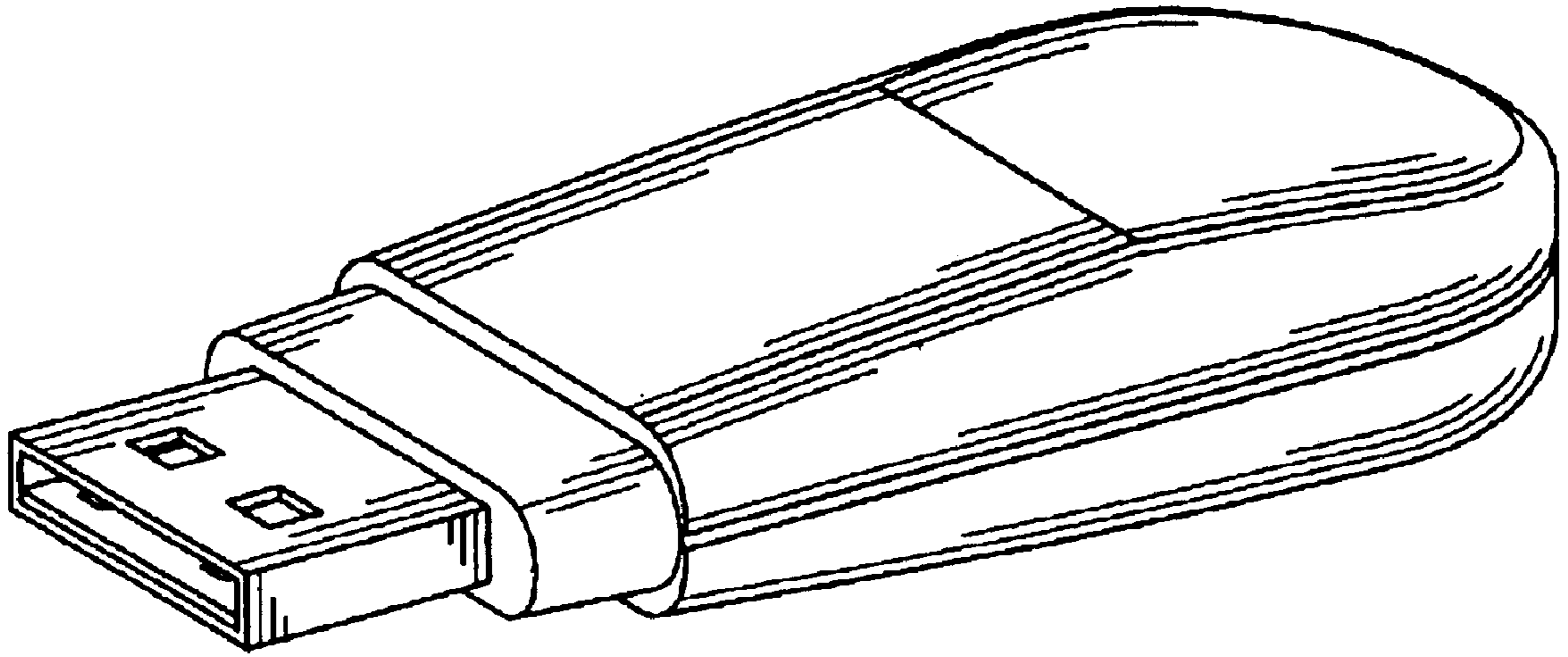


FIG. 1



FIG. 2

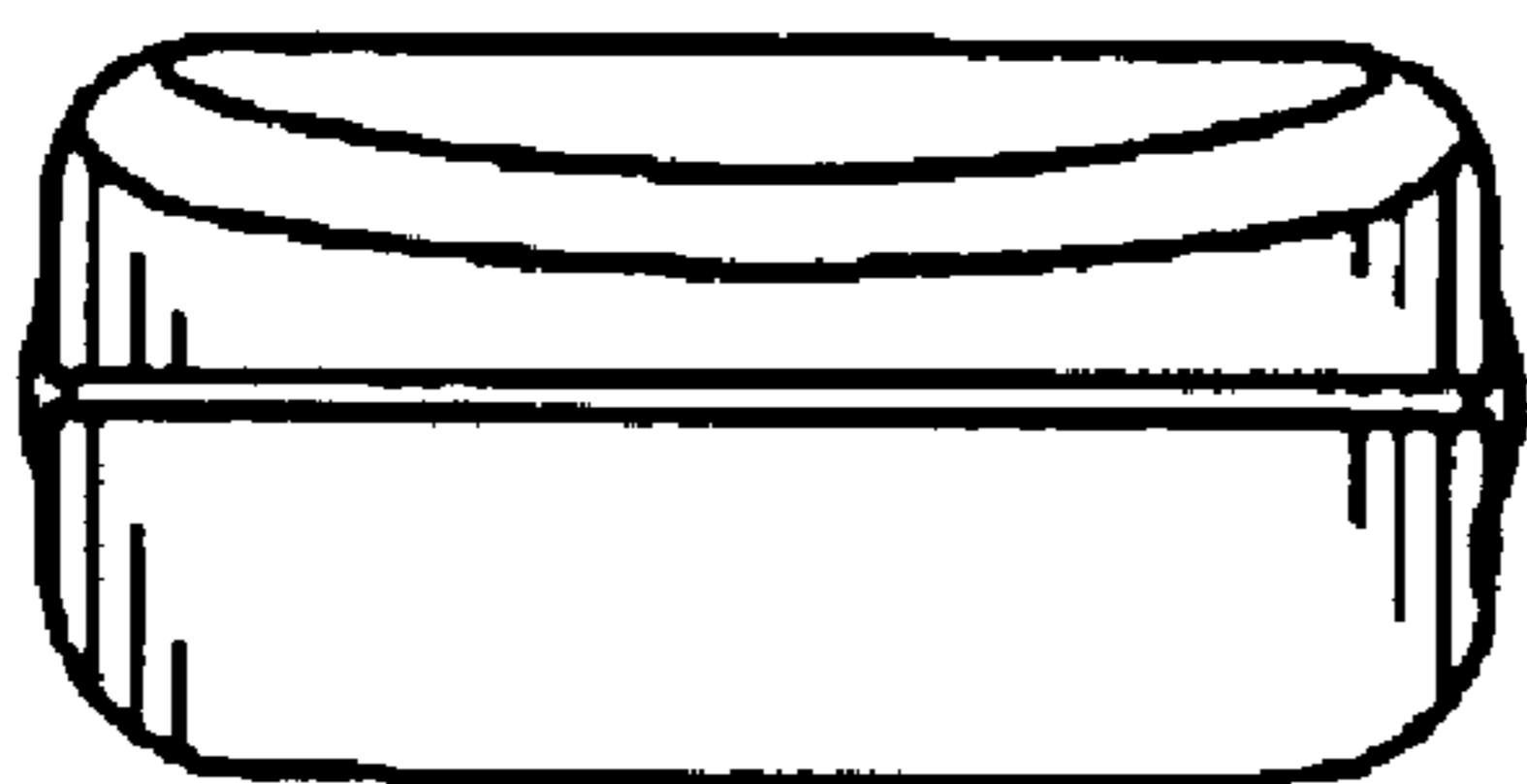


FIG. 3

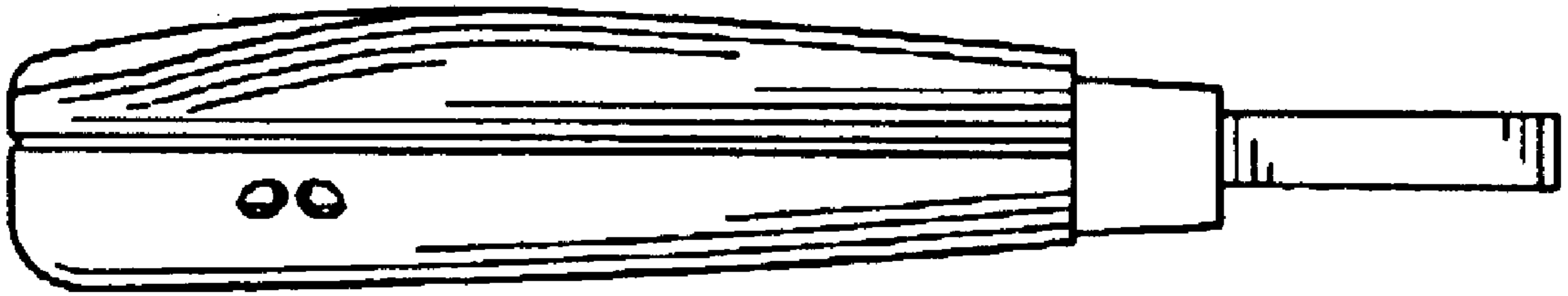


FIG. 4

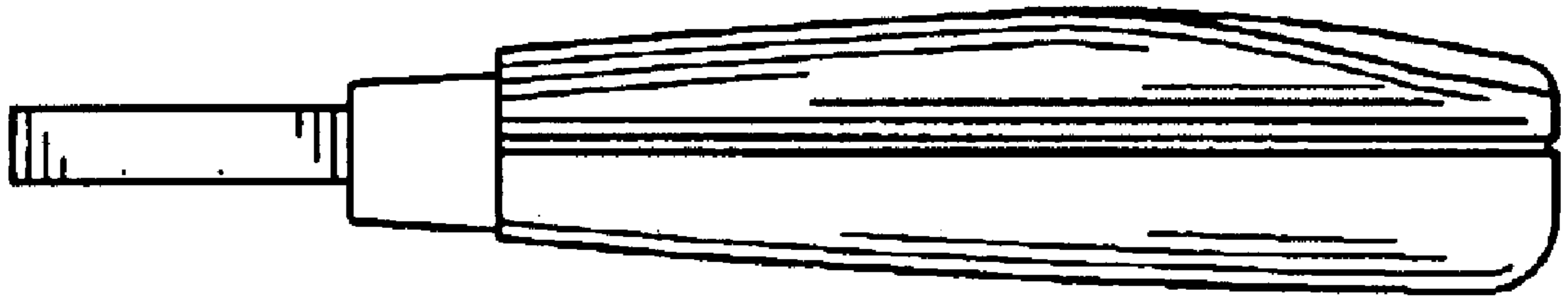


FIG. 5

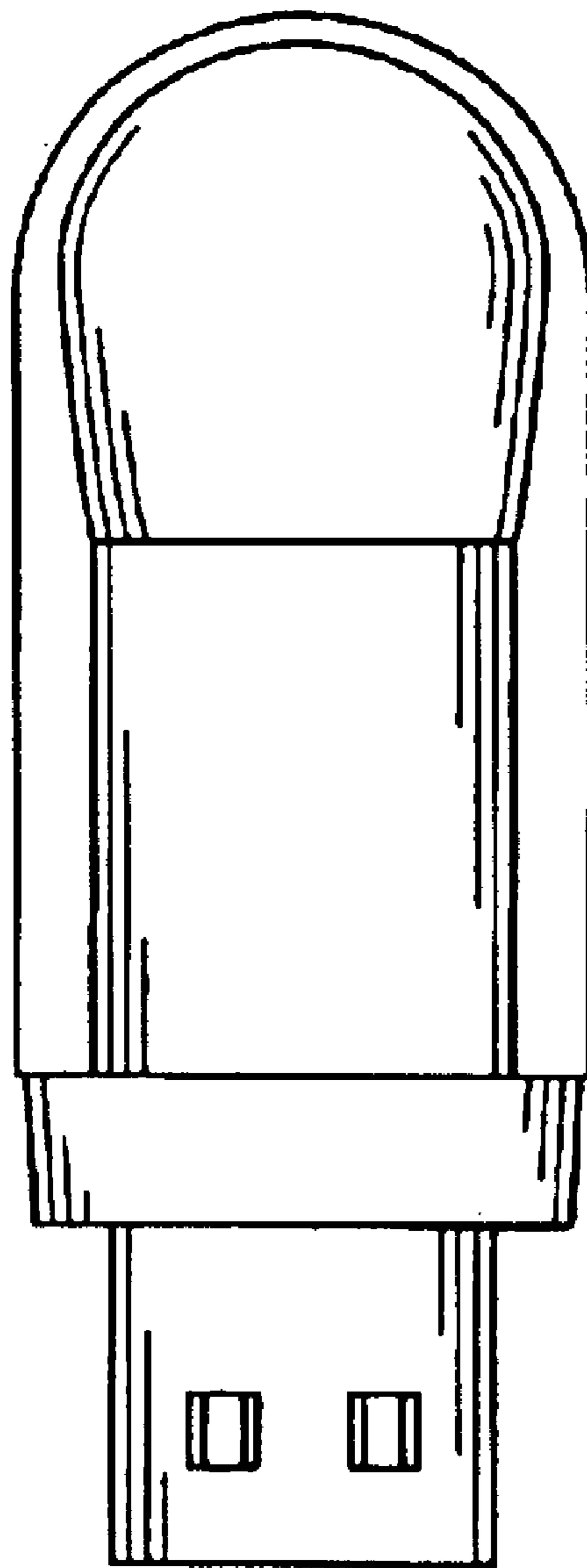


FIG. 6

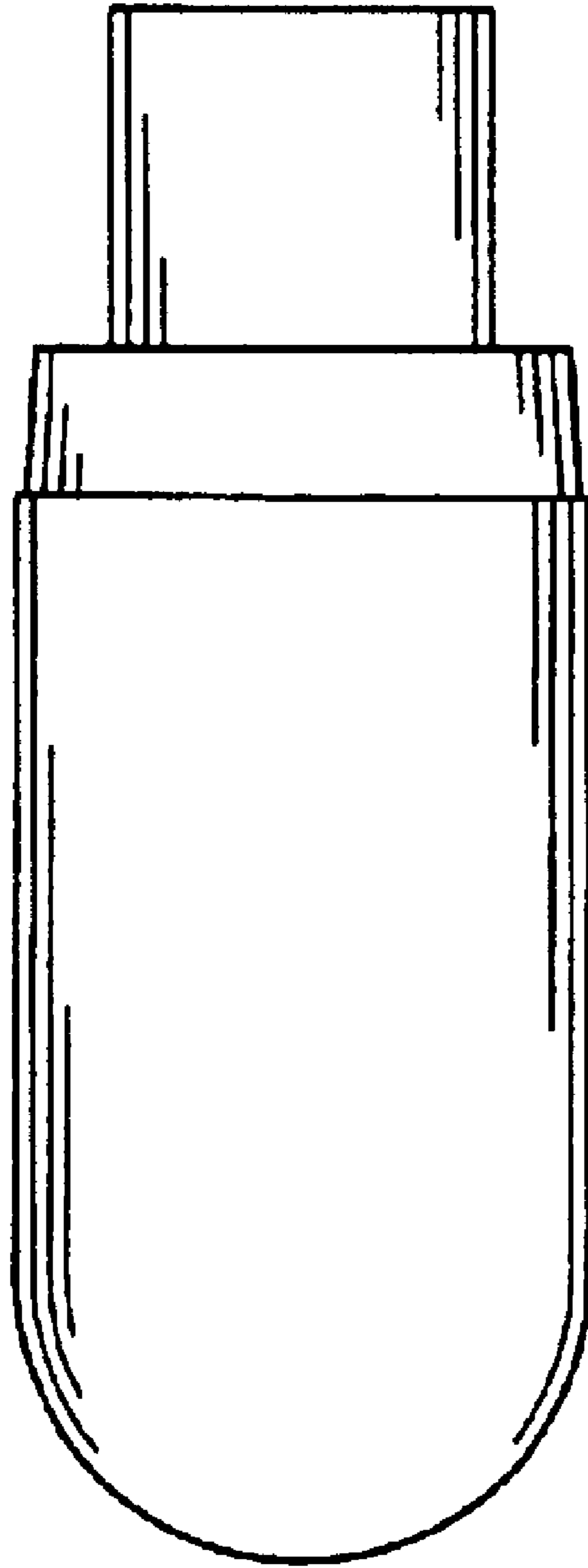


FIG. 7