



US00D489677S

(12) **United States Design Patent**
Ishida

(10) **Patent No.:** **US D489,677 S**

(45) **Date of Patent:** **** May 11, 2004**

(54) **LIGHT EMITTING DIODE**

(75) Inventor: **Masashi Ishida**, Naka-gun (JP)

(73) Assignee: **Nichia Corporation**, Anan (JP)

(**) Term: **14 Years**

(21) Appl. No.: **29/183,015**

(22) Filed: **Jun. 5, 2003**

(51) **LOC (7) Cl.** **13-03**

(52) **U.S. Cl.** **D13/100**

(58) **Field of Search** D13/180, 182;
D10/104, 114; 257/88, 89, 93-96, 98, 99,
678, 687; 313/498, 499, 555, 800; 361/820;
362/152, 226, 241, 249, 250, 800; 372/45;
439/353, 620

(56) **References Cited**

U.S. PATENT DOCUMENTS

4,580,859	A	*	4/1986	Frano et al.	439/353
5,475,241	A	*	12/1995	Harrah et al.	257/99
D453,745	S	*	2/2002	Suenaga	D13/180
D478,877	S	*	8/2003	Hoshiba	D13/182
D482,337	S	*	11/2003	Kamada	D13/182

FOREIGN PATENT DOCUMENTS

JP	D984224-1	S	10/1997
JP	D1077515	S	7/2000
JP	D1170087	S	4/2003
JP	D1170881	S	4/2003
JP	D1171193	S	4/2003

JP	D1171195	S	4/2003
JP	D1171196	S	4/2003
JP	D1171707	S	4/2003
JP	D1171709	S	4/2003
JP	D1171710	S	4/2003
KR	30-0294490	S	3/2002
KR	30-0294490-1	S	3/2002

* cited by examiner

Primary Examiner—Philip S. Hyder

Assistant Examiner—Selina Sikder

(74) *Attorney, Agent, or Firm*—Smith Patent Office

(57) **CLAIM**

I claim the ornamental design for a light emitting diode, as shown and described.

DESCRIPTION

FIG. 1 is a perspective view of a light emitting diode showing my new design;

FIG. 2 is a plan view of the light emitting diode according to FIG. 1;

FIG. 3 is a left view of the light emitting diode according to FIG. 1;

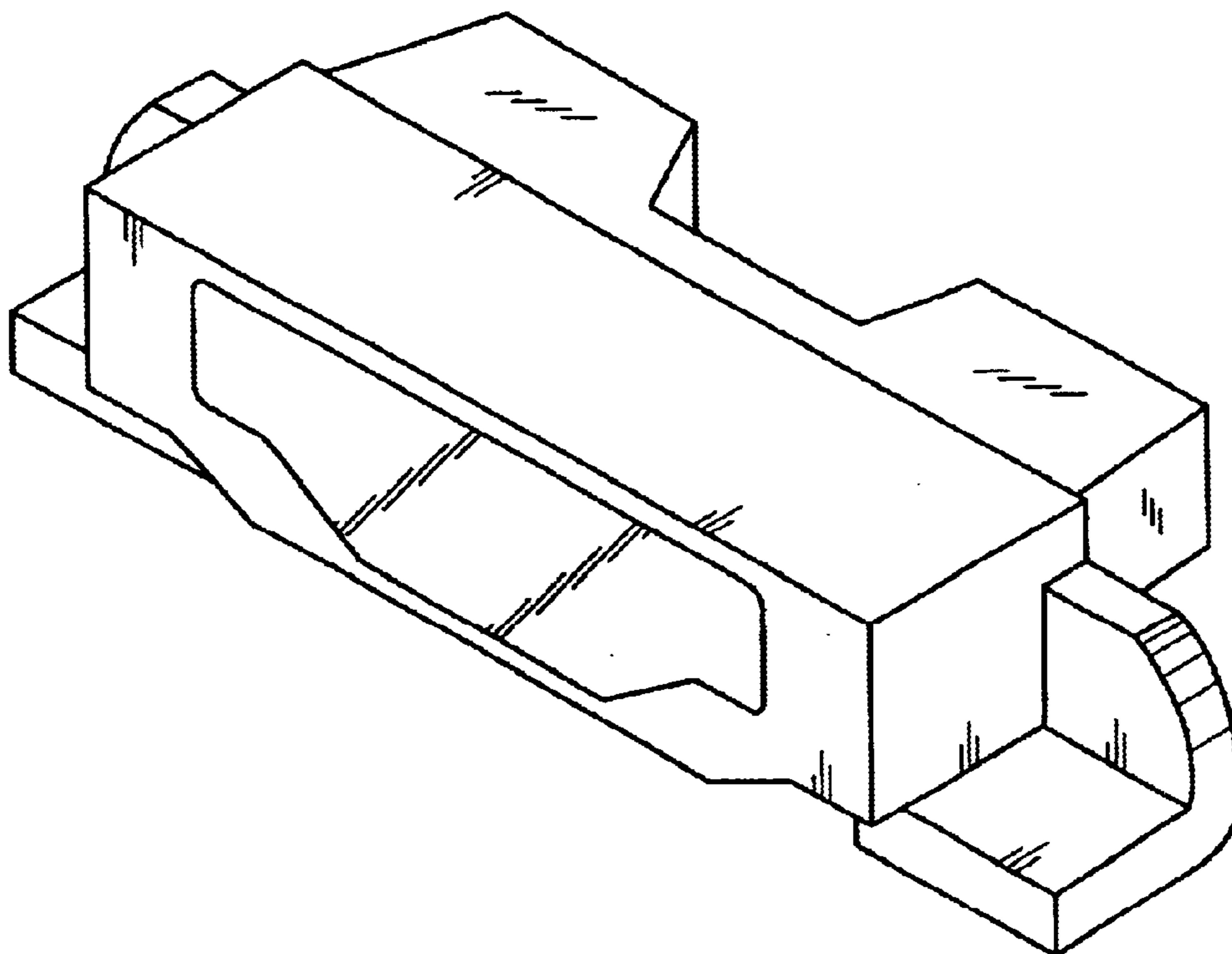
FIG. 4 is a front elevational view of the light emitting diode according to FIG. 1;

FIG. 5 is a right view of the light emitting diode according to FIG. 1;

FIG. 6 is a bottom plan of the light emitting diode according to FIG. 1; and,

FIG. 7 is a rear elevational view of the light emitting diode according to FIG. 1.

1 Claim, 2 Drawing Sheets



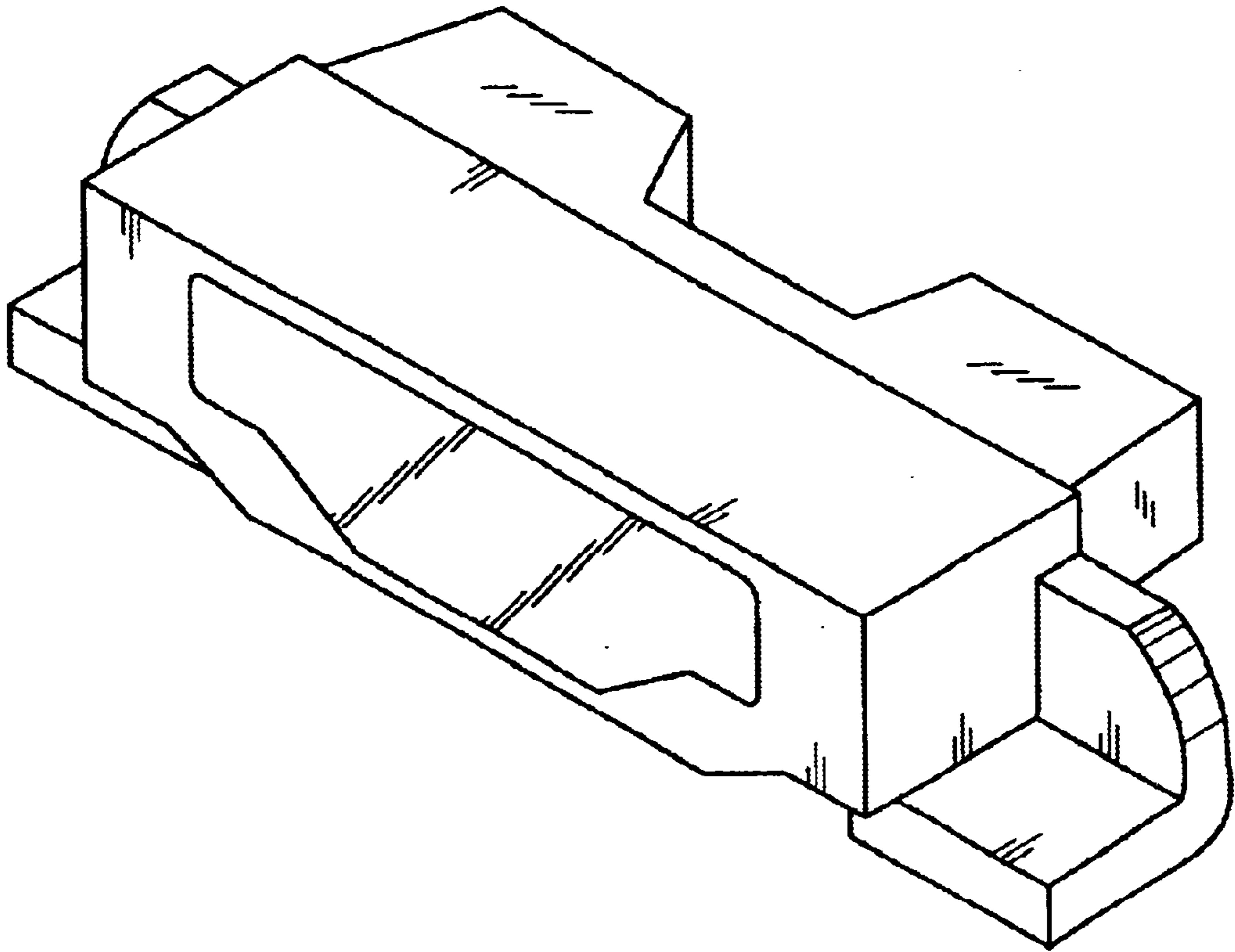


FIG. 1

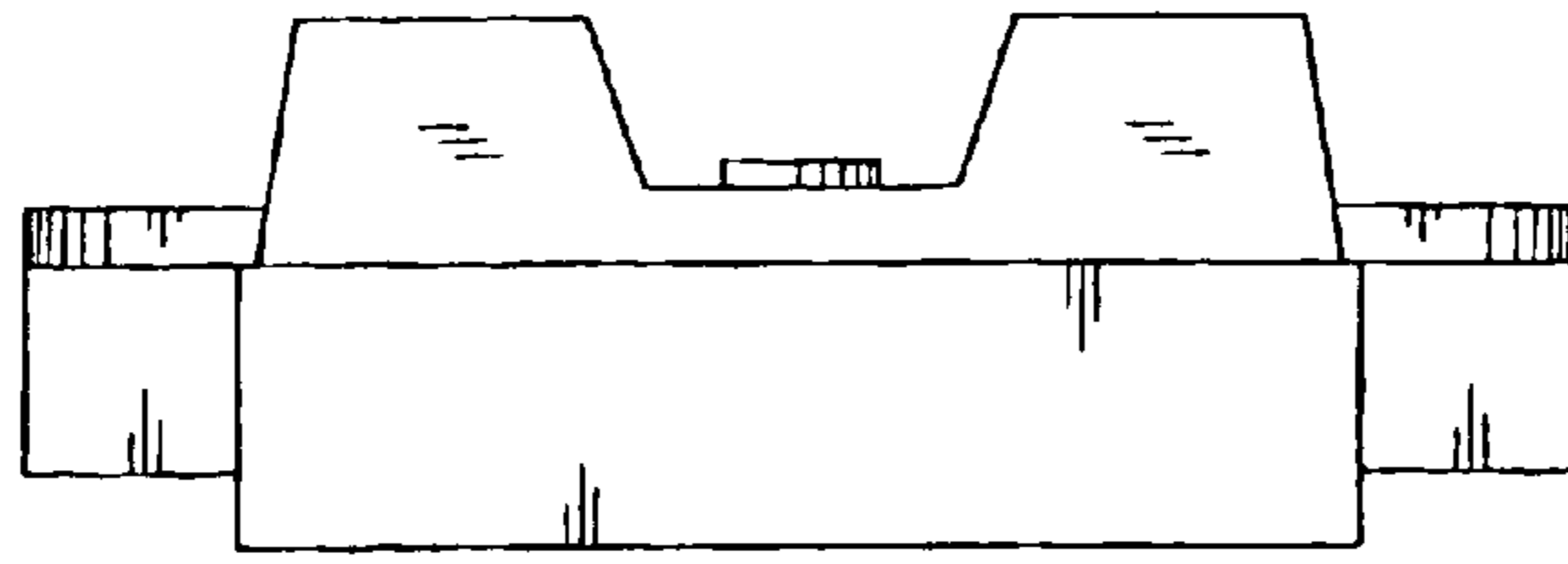


FIG. 2

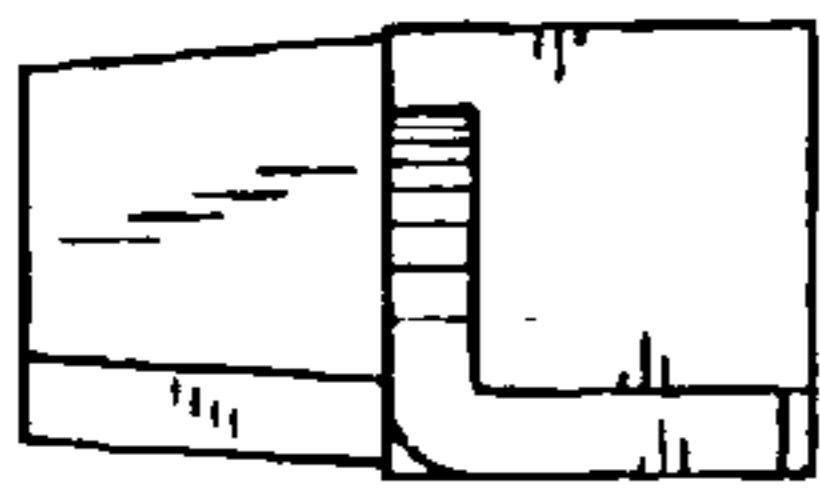


FIG. 3

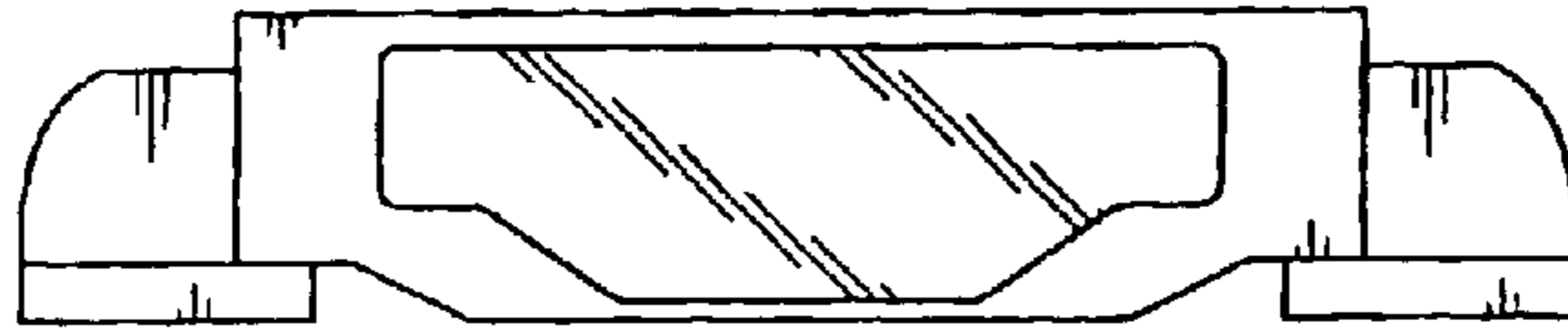


FIG. 4

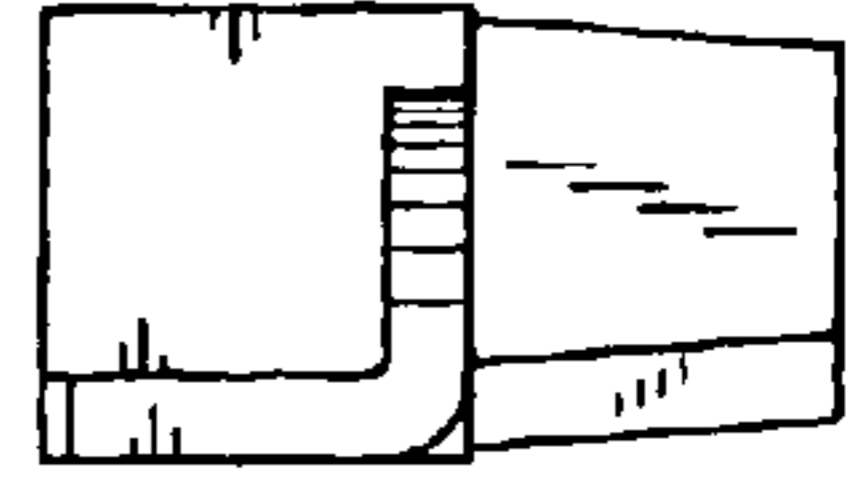


FIG. 5

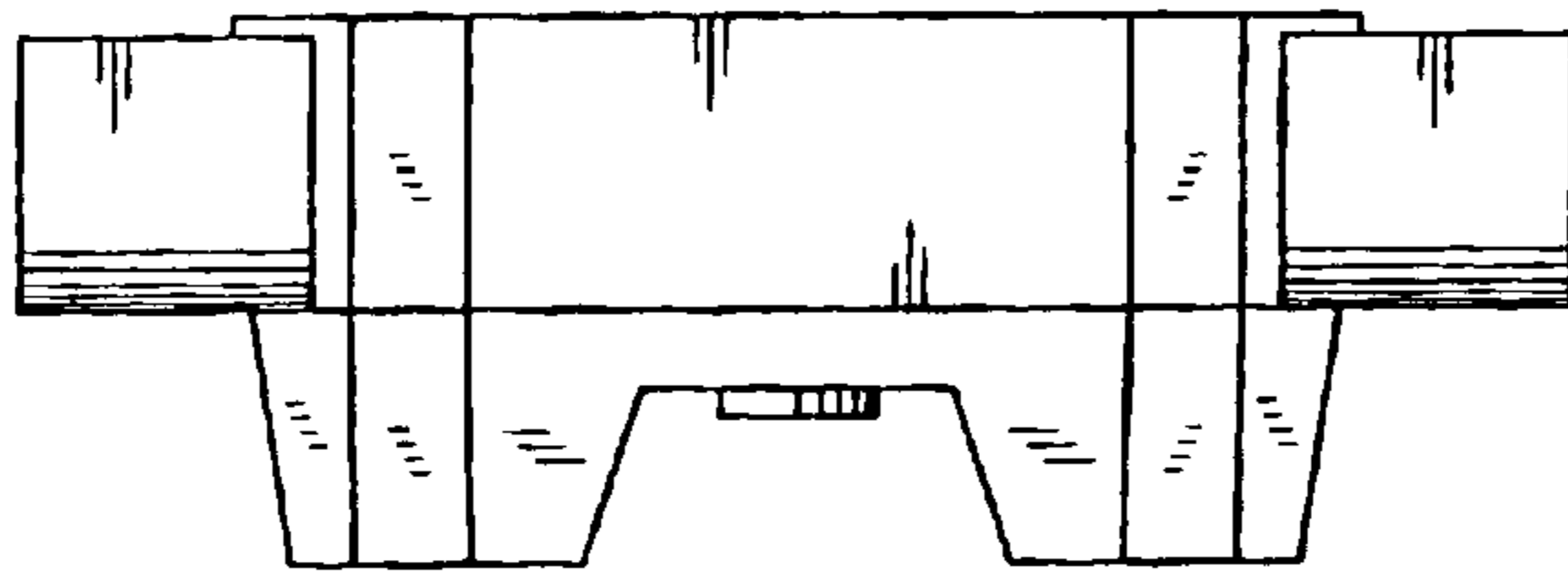


FIG. 6

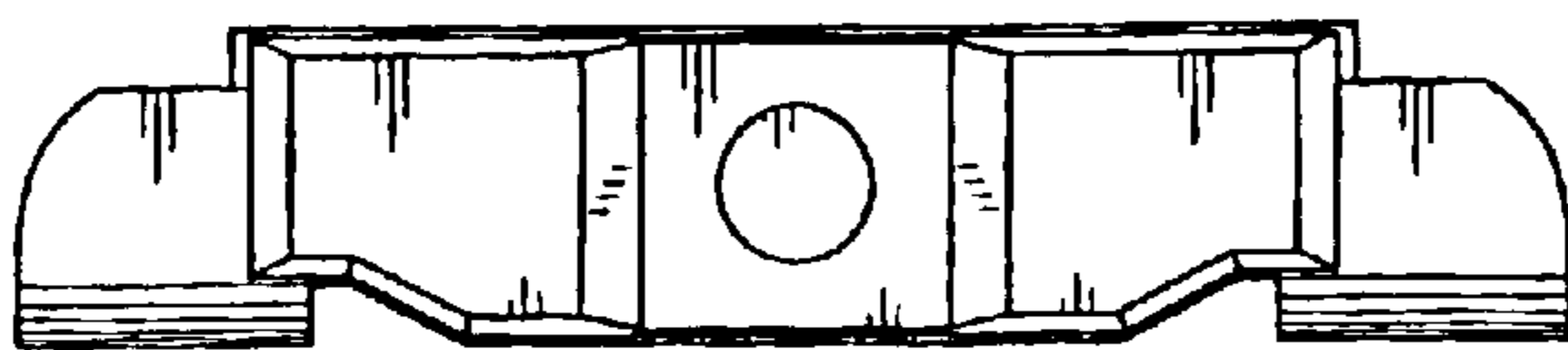


FIG. 7