



US00D489671S

(12) **United States Design Patent**
Travis

(10) **Patent No.:** **US D489,671 S**

(45) **Date of Patent:** **** May 11, 2004**

(54) **FIN BOX FOR SURFCRAFT**

5,224,435 A * 7/1993 Kinnaird 114/127

(75) Inventor: **Christopher John Travis**, Balgowlah (AU)

* cited by examiner

(73) Assignee: **Surfing Hardware International Holdings Pty Limited**, Torrance, CA (US)

Primary Examiner—Lisa Lichtenstein

(74) *Attorney, Agent, or Firm*—Squire, Sanders & Dempsey, LLP

(**) Term: **14 Years**

(57) **CLAIM**

(21) Appl. No.: **29/182,670**

The ornamental design for a fin box for surfcraft, as shown and described.

(22) Filed: **May 27, 2003**

DESCRIPTION

(30) **Foreign Application Priority Data**

Dec. 6, 2002 (AU) 3881/2002

FIG. 1 is a perspective view of the fin box according to the invention;

(51) **LOC (7) Cl.** **12-06**

FIG. 2 is a top view of the fin box of FIG. 1;

(52) **U.S. Cl.** **D12/317**

FIG. 3 is a front view of the fin box of FIG. 1; and,

(58) **Field of Search** D12/300-317; 441/74, 357

FIG. 4 is a right side view of the fin box of FIG. 1.

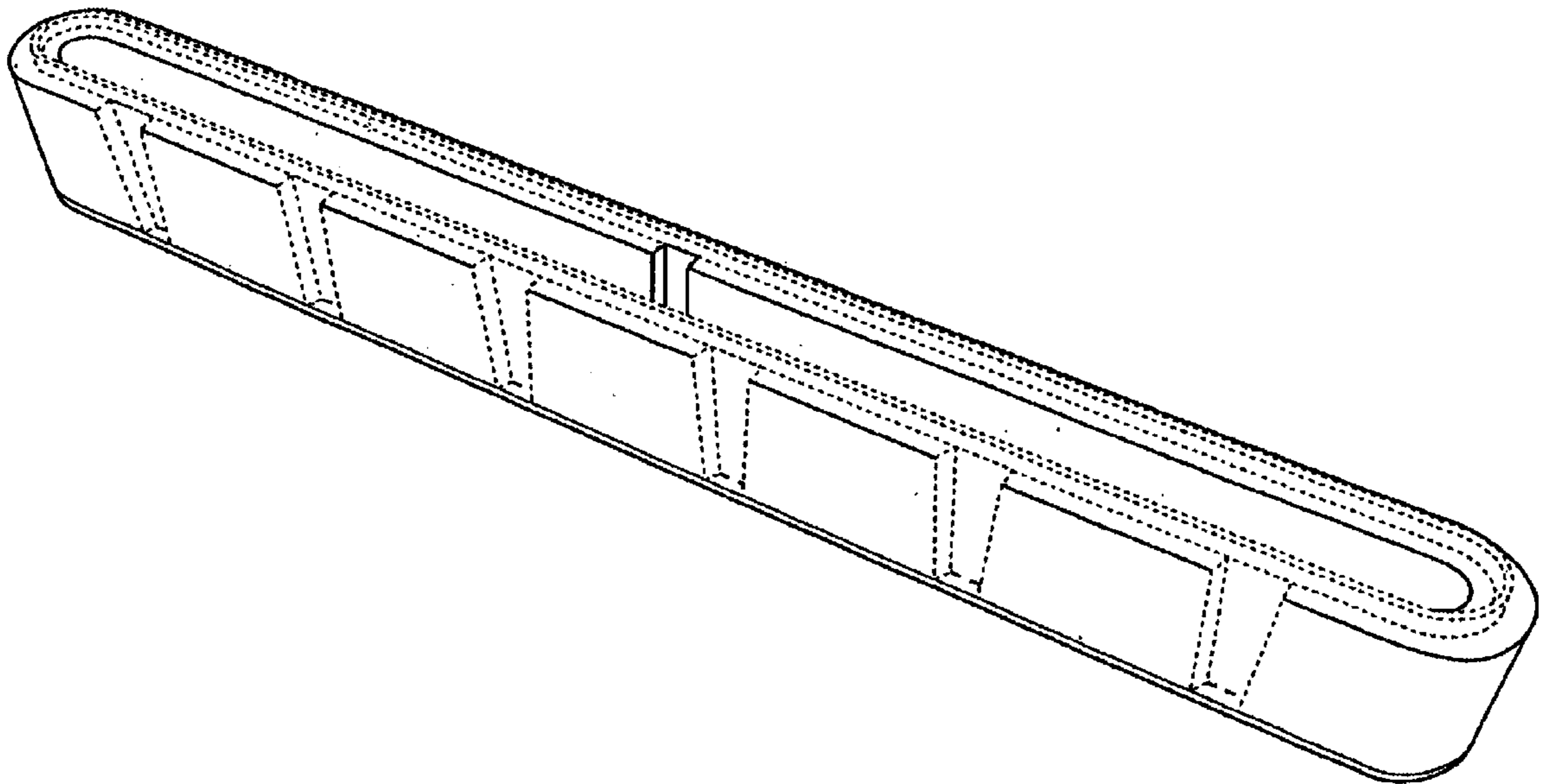
The features shown in broken lines are for illustrative purposes only and form no part of the claimed design.

(56) **References Cited**

U.S. PATENT DOCUMENTS

4,421,492 A * 12/1983 Leva 441/79

1 Claim, 2 Drawing Sheets



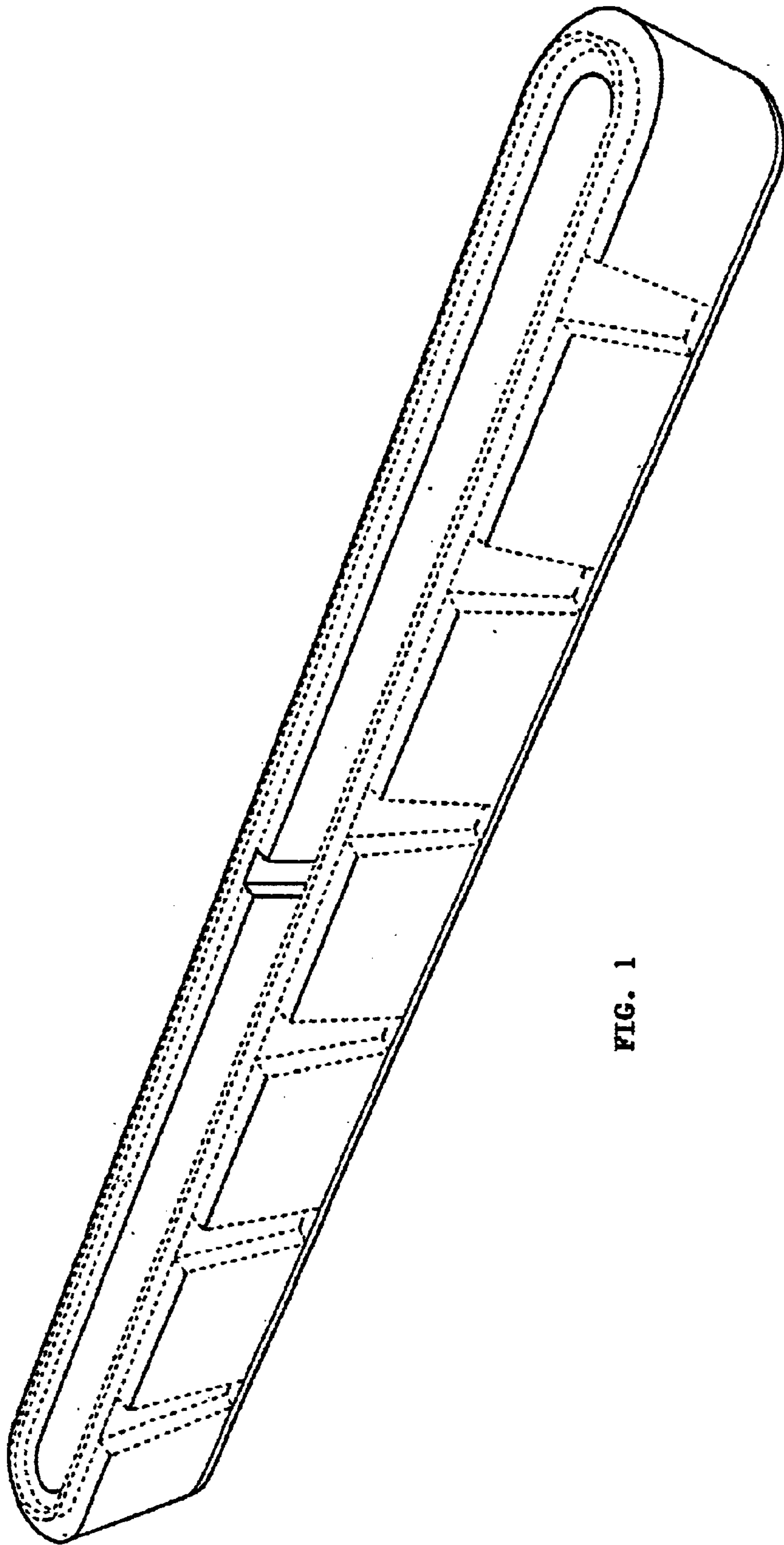


FIG. 1

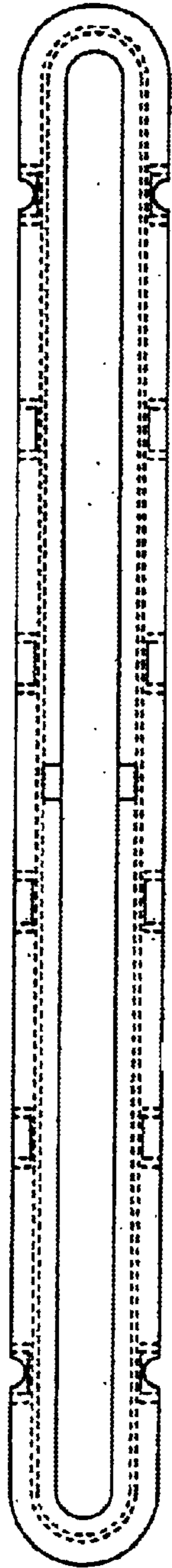


FIG. 2

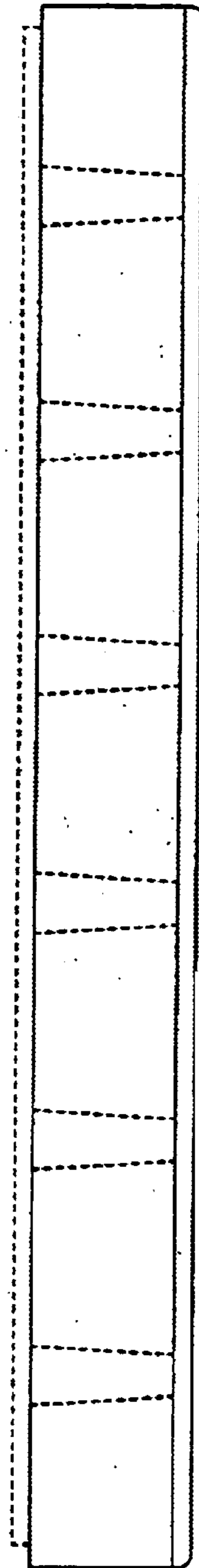


FIG. 3

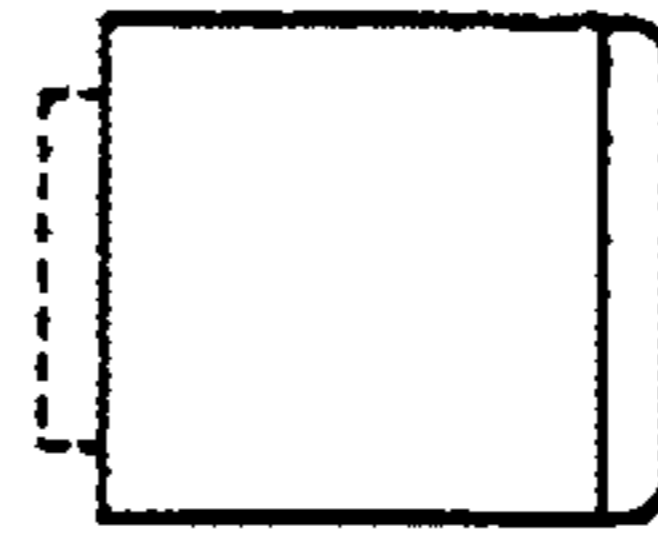


FIG. 4