



US00D489669S

(12) **United States Design Patent**
Sugiyama

(10) **Patent No.:** **US D489,669 S**

(45) **Date of Patent:** **** May 11, 2004**

(54) **ANCHOR**

D452,471 S * 12/2001 Hoareau D12/215

(76) Inventor: **Yukitoshi Sugiyama**, 5-18, Imaizumi
4-chome, Fuji-shi, Shizuoka 417-0001
(JP)

* cited by examiner

(**) Term: **14 Years**

Primary Examiner—Lisa Lichtenstein
(74) *Attorney, Agent, or Firm*—Oblon, Spivak, McClelland,
Maier & Neustadt, P.C.

(21) Appl. No.: **29/180,078**

(57) **CLAIM**

(22) Filed: **Apr. 21, 2003**

The ornamental design for an anchor, as shown and described.

(30) **Foreign Application Priority Data**

DESCRIPTION

Oct. 21, 2002 (JP) 2002-032559

FIG. 1 is a front elevational view of an anchor, showing my new design;
FIG. 2 is a left side elevational view thereof;
FIG. 3 is a right side elevational view thereof;
FIG. 4 is a top plan view thereof;
FIG. 5 is a bottom plan view thereof; and,
FIG. 6 is a top and left front perspective view thereof.
A rear elevational view omitted appears as being reverse to the front elevational view of FIG. 1.

(51) **LOC (7) Cl.** **12-16**

(52) **U.S. Cl.** **D12/215**

(58) **Field of Search** D12/215; 114/294,
114/297, 298, 299, 301, 304, 310

(56) **References Cited**

U.S. PATENT DOCUMENTS

5,138,967 A * 8/1992 McCarron et al. 114/301
5,188,055 A * 2/1993 Kershner 114/299

1 Claim, 2 Drawing Sheets

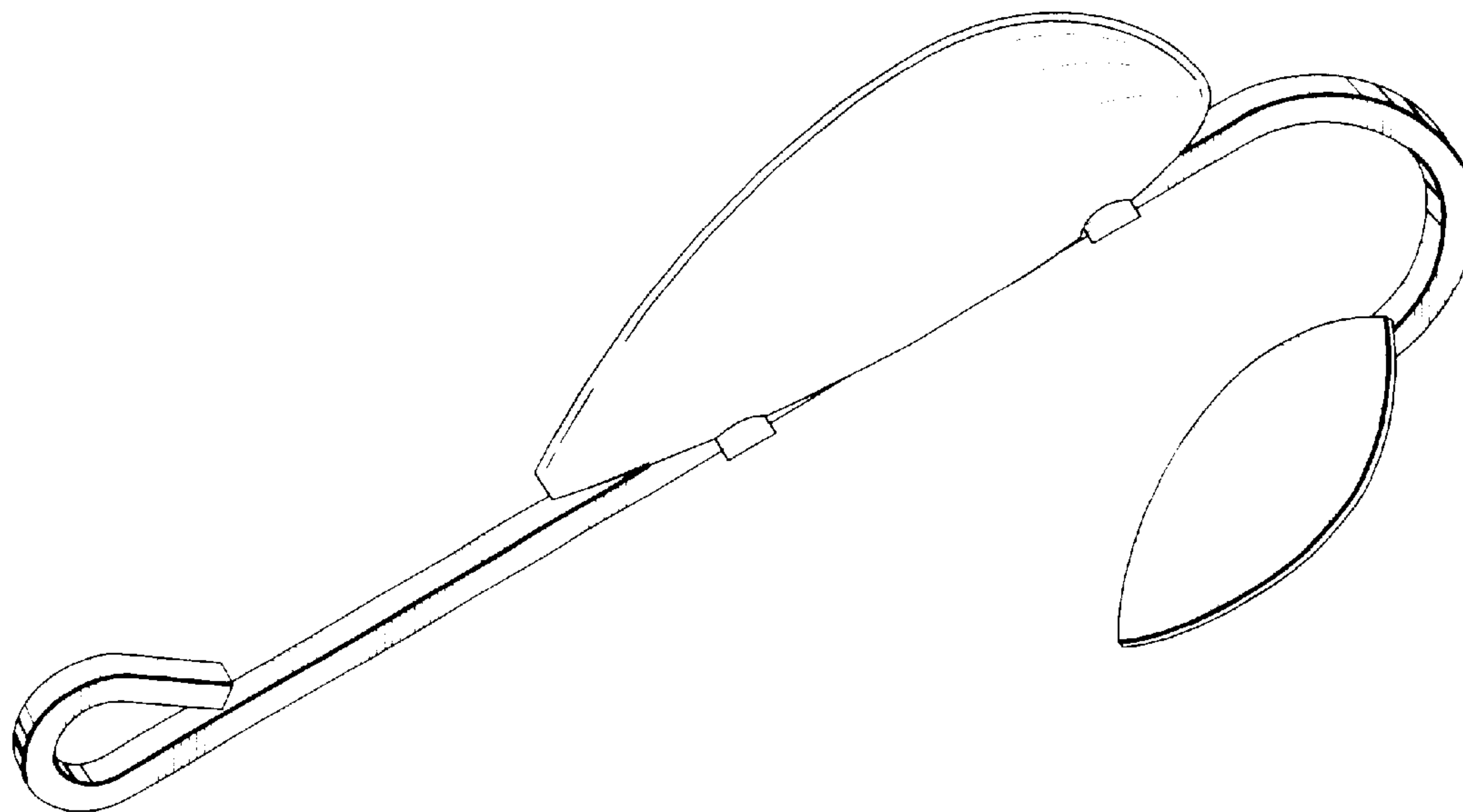


FIG. 1

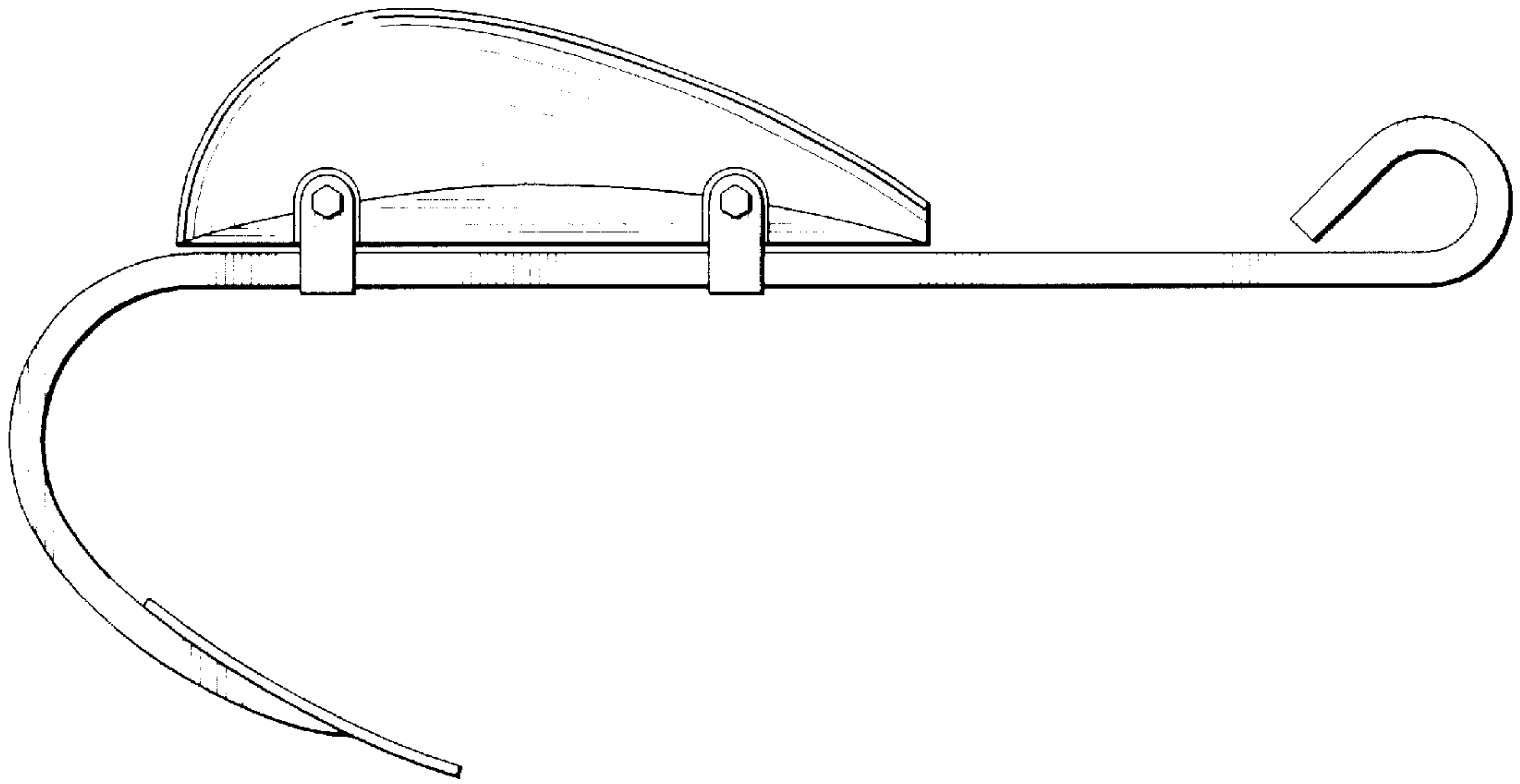


FIG. 2

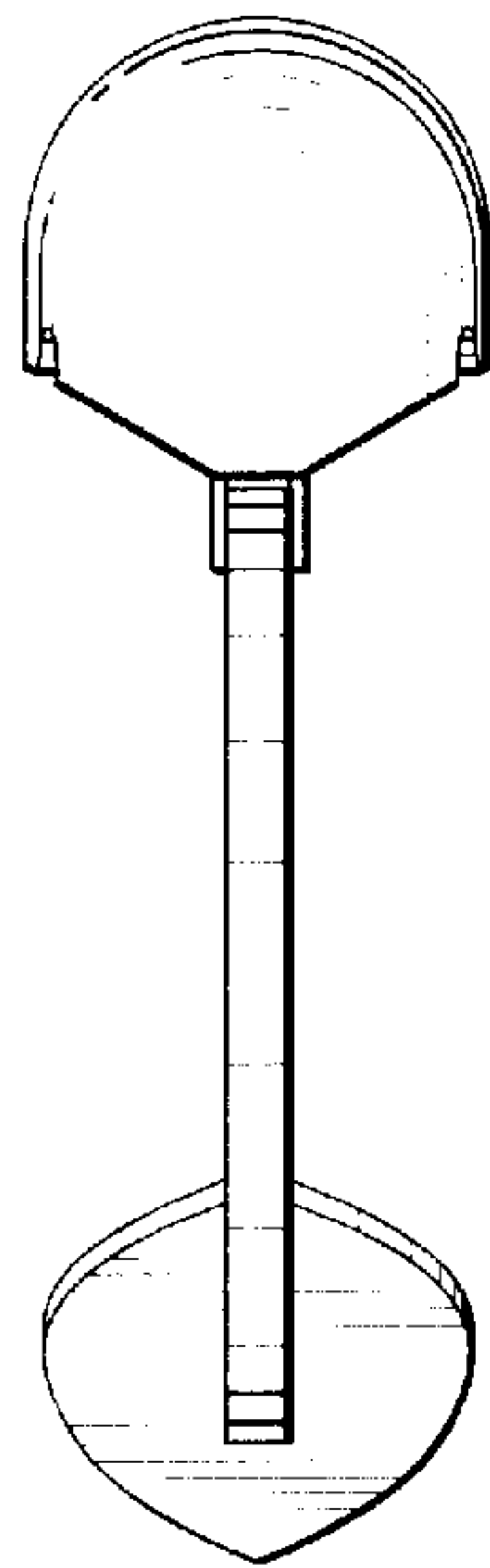


FIG. 3

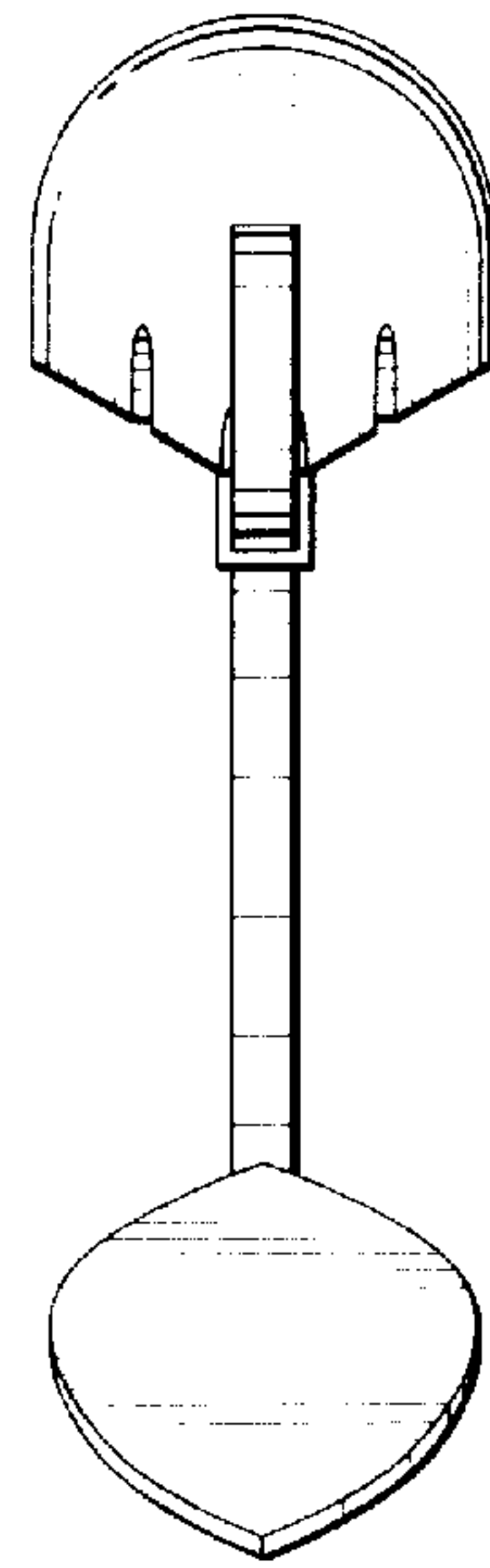


FIG.4

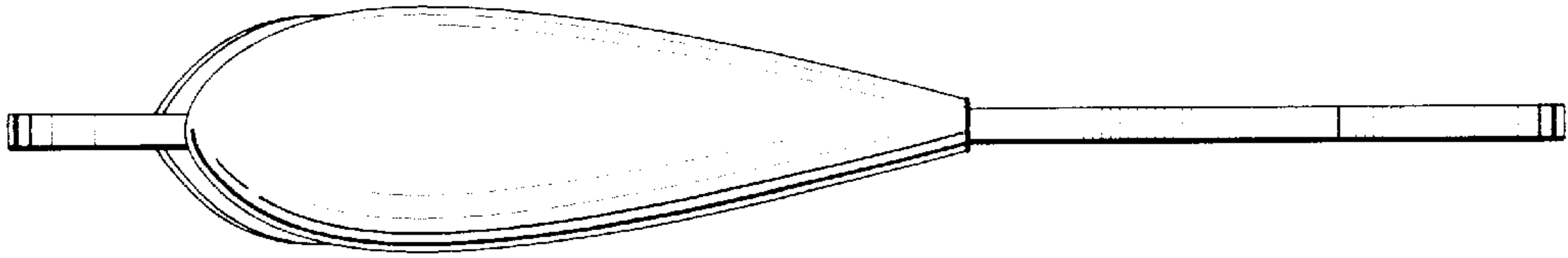


FIG.5

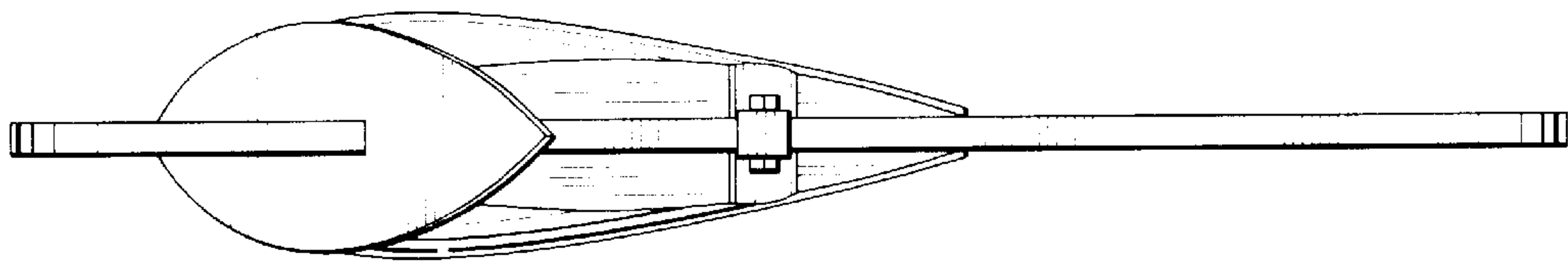


FIG.6

