



US00D489666S

(12) **United States Design Patent**
Foose

(10) **Patent No.:** **US D489,666 S**

(45) **Date of Patent:** **** May 11, 2004**

(54) **VEHICLE-WHEEL FRONT FACE**

D453,136 S * 1/2002 Frizzi D12/211

D461,444 S * 8/2002 Bernoni D12/211

D467,214 S * 12/2002 Wolfe D12/211

(75) Inventor: **Douglas S. Foose**, Tustin, CA (US)

(73) Assignee: **Mobile Hi-Tech Wheels**, LaPalma, CA (US)

* cited by examiner

(**) Term: **14 Years**

Primary Examiner—Stacia Cadmus

(74) *Attorney, Agent, or Firm*—Christie, Parker & Hale, LLP

(21) Appl. No.: **29/182,861**

(57) **CLAIM**

(22) Filed: **Jun. 2, 2003**

The ornamental design for vehicle-wheel front face, as shown and described.

(51) **LOC (7) Cl.** **12-16**

(52) **U.S. Cl.** **D12/209**

(58) **Field of Search** D12/204–211;
301/37.101, 64.101, 65

DESCRIPTION

(56) **References Cited**

U.S. PATENT DOCUMENTS

D236,106 S	*	7/1975	Clary	D12/211
D236,199 S	*	8/1975	Clary	D12/211
D260,510 S	*	9/1981	Powers	D12/211
D327,049 S	*	6/1992	Boyer	D12/211
D387,027 S	*	12/1997	Bradley	D12/205
D389,795 S	*	1/1998	Coddington	D12/209
D399,181 S	*	10/1998	McMath	D12/211
D441,705 S	*	5/2001	Brintouch	D12/204
D442,531 S	*	5/2001	Brintouch	D12/204
D445,753 S	*	7/2001	Neeper	D12/211

FIG. 1 is a perspective view of a vehicle-wheel front face according to my new design, the front face having a rotatable decorative disk recessed within an outer rim of the wheel;

FIG. 2 is a front elevational view thereof, with the rotatable disk in a first position;

FIG. 3 is a front elevational view thereof with the rotatable disk in a second position; and,

FIG. 4 is a side elevational view thereof.

Portions of the wheel depicted in broken line are for illustrative purposes only, and form no part of the claimed design.

1 Claim, 4 Drawing Sheets

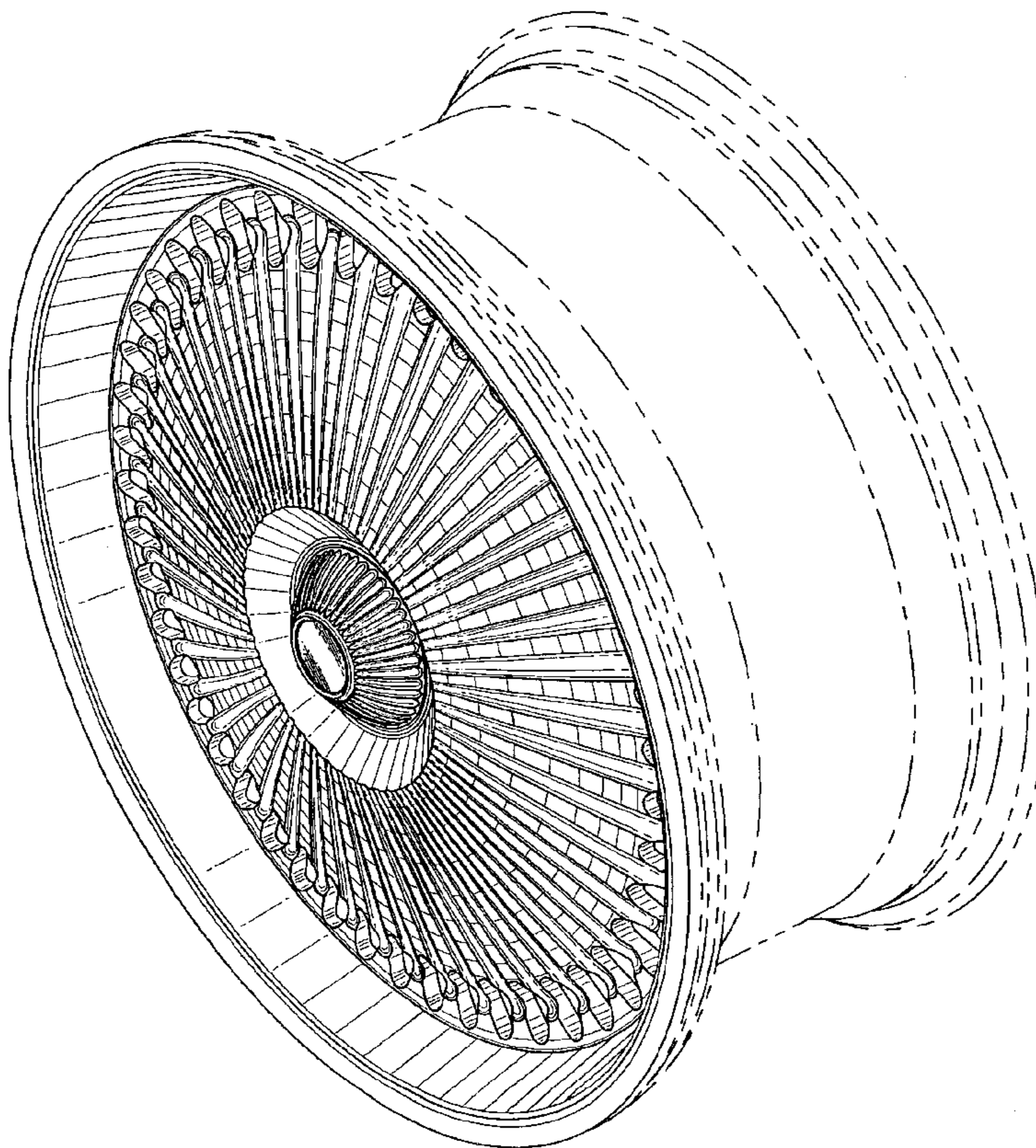


FIG. 1

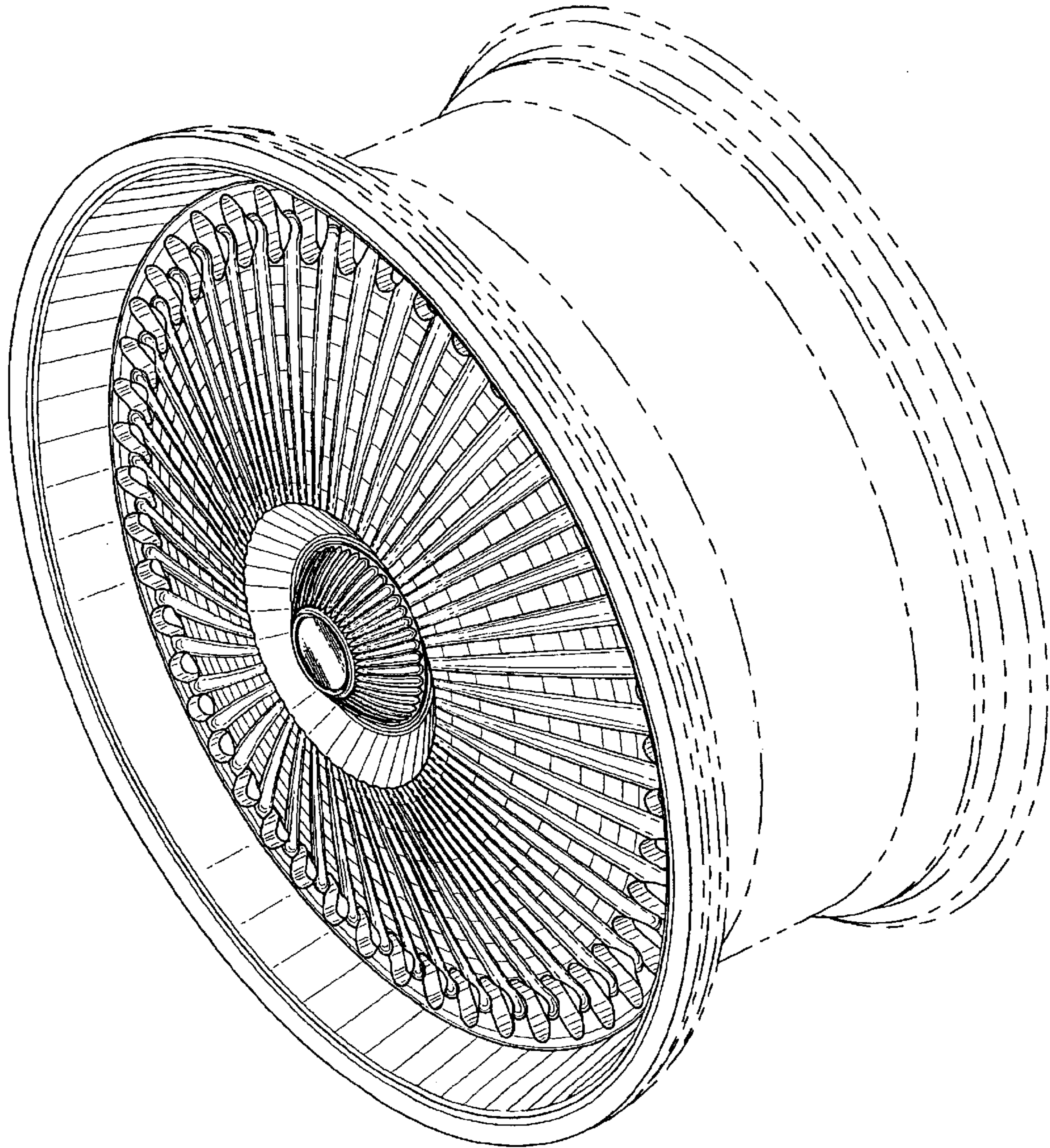


FIG.2

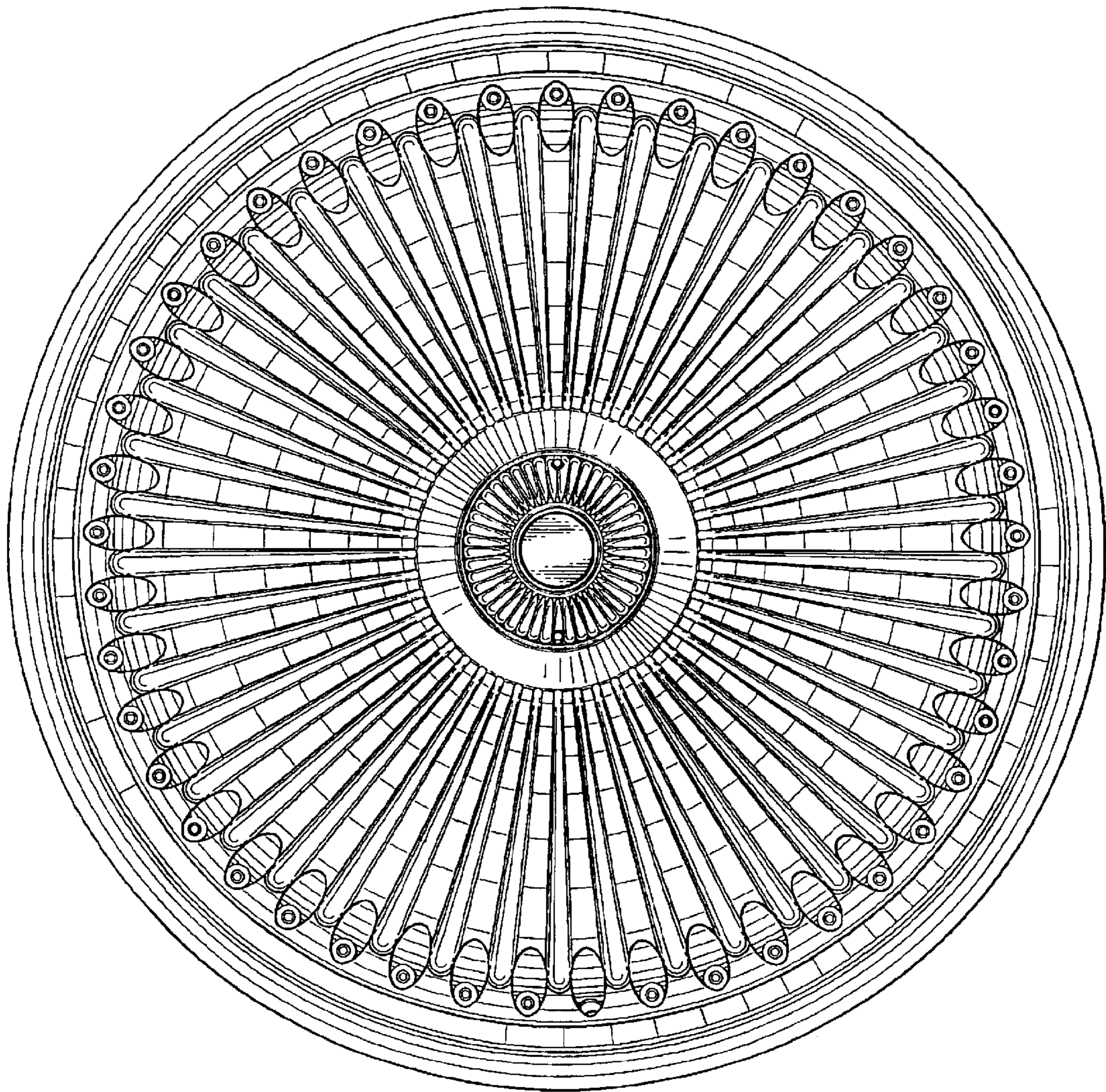


FIG. 3

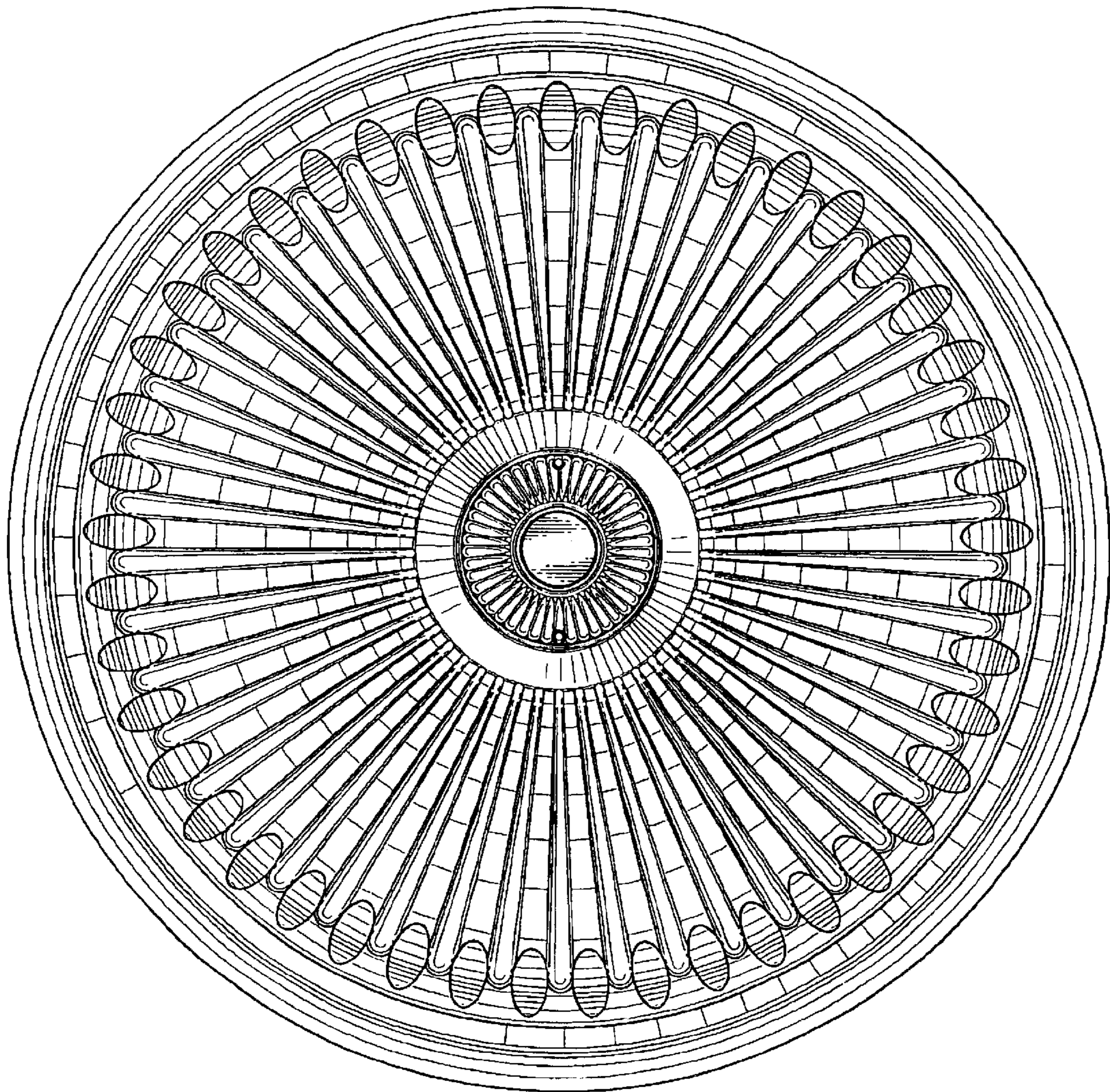


FIG. 4

