



US00D489661S

(12) **United States Design Patent**
McPeck et al.

(10) **Patent No.:** **US D489,661 S**

(45) **Date of Patent:** **** May 11, 2004**

(54) **VEHICLE CENTRAL GAUGE**

(75) Inventors: **Clarissa McPeck**, Pasadena, CA (US);
Osamu Nakajima, Torrance, CA (US);
Don Lariviere, Whittier, CA (US)

(73) Assignee: **Honda Giken Kogyo Kabushiki Kaisha**, Tokyo (JP)

(**) Term: **14 Years**

(21) Appl. No.: **29/190,098**

(22) Filed: **Sep. 16, 2003**

(51) **LOC (7) Cl.** **12-16**

(52) **U.S. Cl.** **D12/192**

(58) **Field of Search** D12/192; 180/90;
280/750-752; 296/190-191, 70; D10/46,
102, 98, 122-127

(56) **References Cited**

U.S. PATENT DOCUMENTS

- D381,614 S * 7/1997 Ma D12/192
- D413,294 S * 8/1999 Lagaay D12/192
- D436,565 S * 1/2001 Tsay et al. D12/192
- D440,925 S * 4/2001 Pfeiffer D12/192
- D466,062 S * 11/2002 Tsay et al. D12/192

- D467,845 S * 12/2002 Pfeiffer et al. D12/192
- D470,090 S * 2/2003 Sawabe D12/192
- D471,141 S * 3/2003 Hofmann et al. D12/192
- D472,862 S * 4/2003 Arai D12/192
- D473,832 S * 4/2003 Tuzar D12/192
- D475,957 S * 6/2003 Machinek D12/192
- D478,297 S * 8/2003 Cadotte et al. D12/7
- D483,309 S * 12/2003 Wyszogrod D12/192

* cited by examiner

Primary Examiner—Stacia Cadmus

(74) *Attorney, Agent, or Firm*—Plumsea Law Group, LLC

(57) **CLAIM**

The ornamental design for a vehicle central gauge, as shown and described.

DESCRIPTION

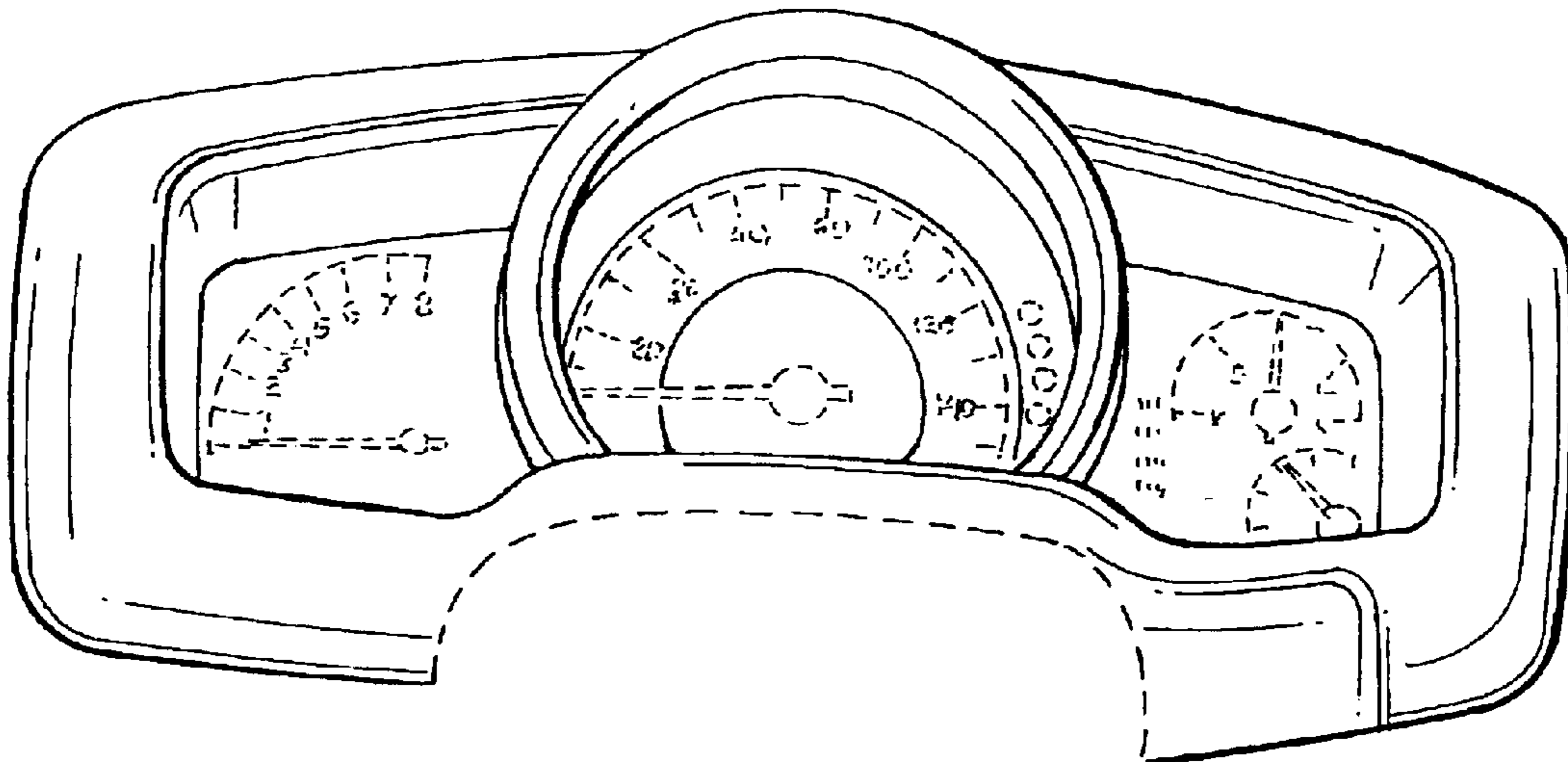
FIG. 1 is an elevational view of a vehicle central gauge showing our new design; and,

FIG. 2 is a perspective view thereof.

The broken line showings of the indicia on the gauge are for illustrative purposes only and form no part of the claimed invention.

The curved broken line on the front of the gauge represents the unclaimed boundary of the design.

1 Claim, 1 Drawing Sheet



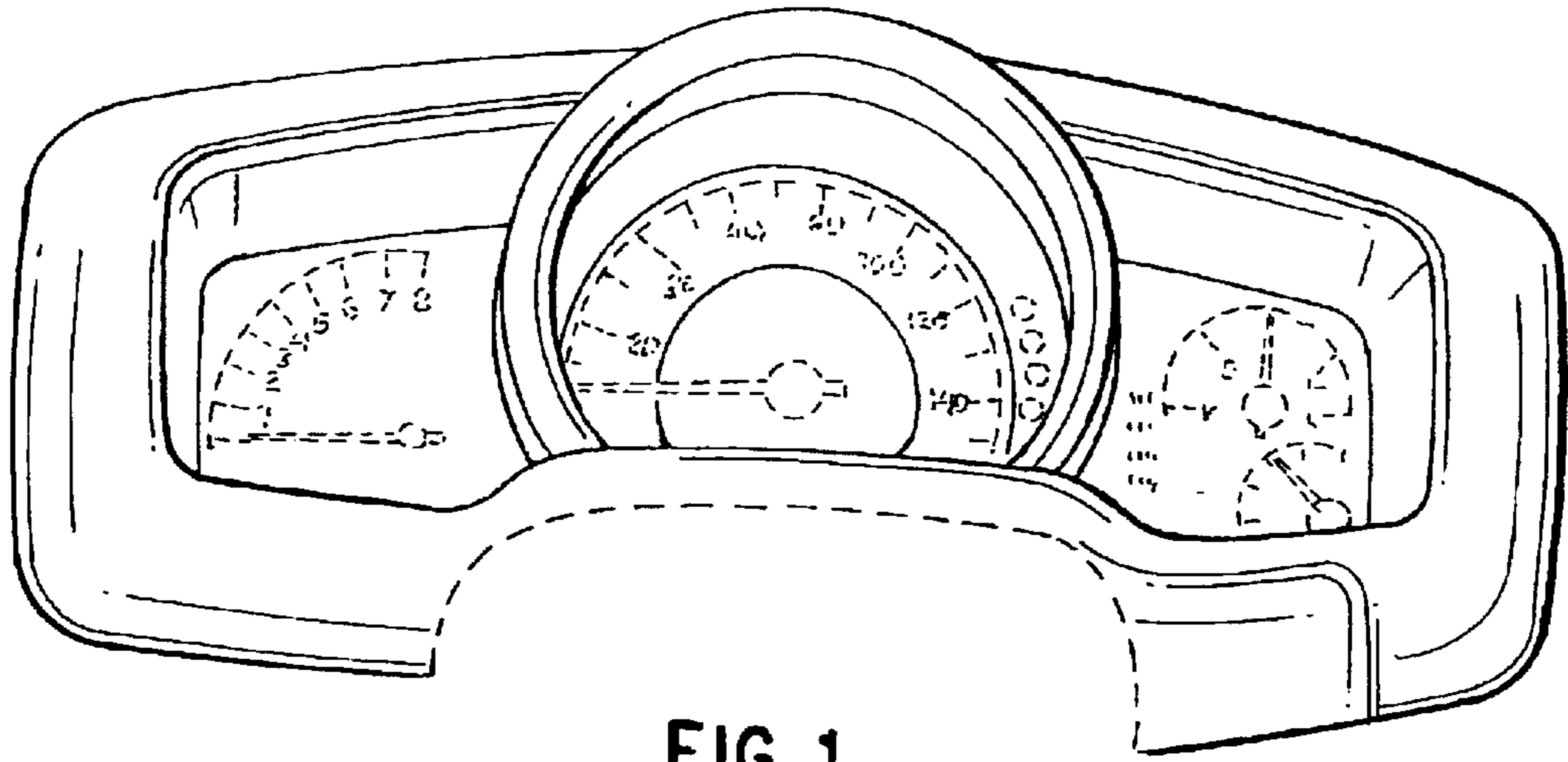


FIG. 1

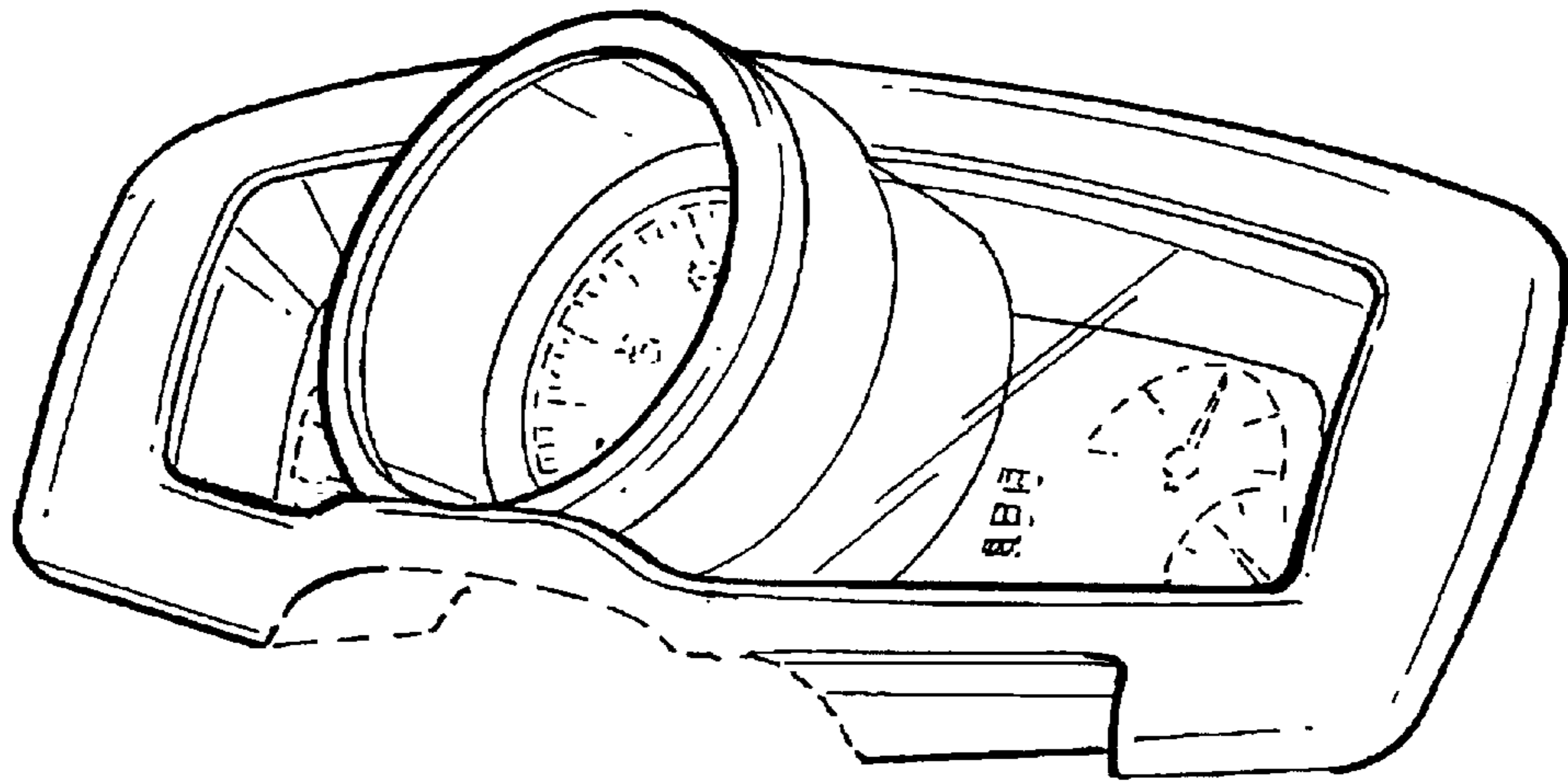


FIG. 2