



US00D489652S

(12) **United States Design Patent**  
**Roach**

(10) **Patent No.:** **US D489,652 S**

(45) **Date of Patent:** **\*\* May 11, 2004**

(54) **MOBILITY VEHICLE**

(76) **Inventor:** **Thomas Roach**, 30 Harbor View, Lake St. Louis, MO (US) 63367

(\*\*) **Term:** **14 Years**

(21) **Appl. No.:** **29/165,653**

(22) **Filed:** **Aug. 14, 2002**

(51) **LOC (7) Cl.** ..... **12-12**

(52) **U.S. Cl.** ..... **D12/131**

(58) **Field of Search** ..... D12/128-133;  
280/250.1, 304.1; 180/6.5, 65.1, 907, 908;  
297/DIG. 14

(56) **References Cited**

**U.S. PATENT DOCUMENTS**

3,710,883 A	1/1973	Rizzo
4,538,695 A	9/1985	Bradt
5,511,809 A	4/1996	Sagi
5,562,300 A	10/1996	Nelson

5,697,465 A	12/1997	Kruse	
D454,814 S	*	3/2002	Ou ..... D12/128
D460,028 S	*	7/2002	Wu et al. .... D12/128
D479,496 S	*	9/2003	Tsai et al. .... D12/128

\* cited by examiner

*Primary Examiner*—Marcus A. Jackson

(74) *Attorney, Agent, or Firm*—Polster, Lieder, Woodruff & Lucchesi, L.C.

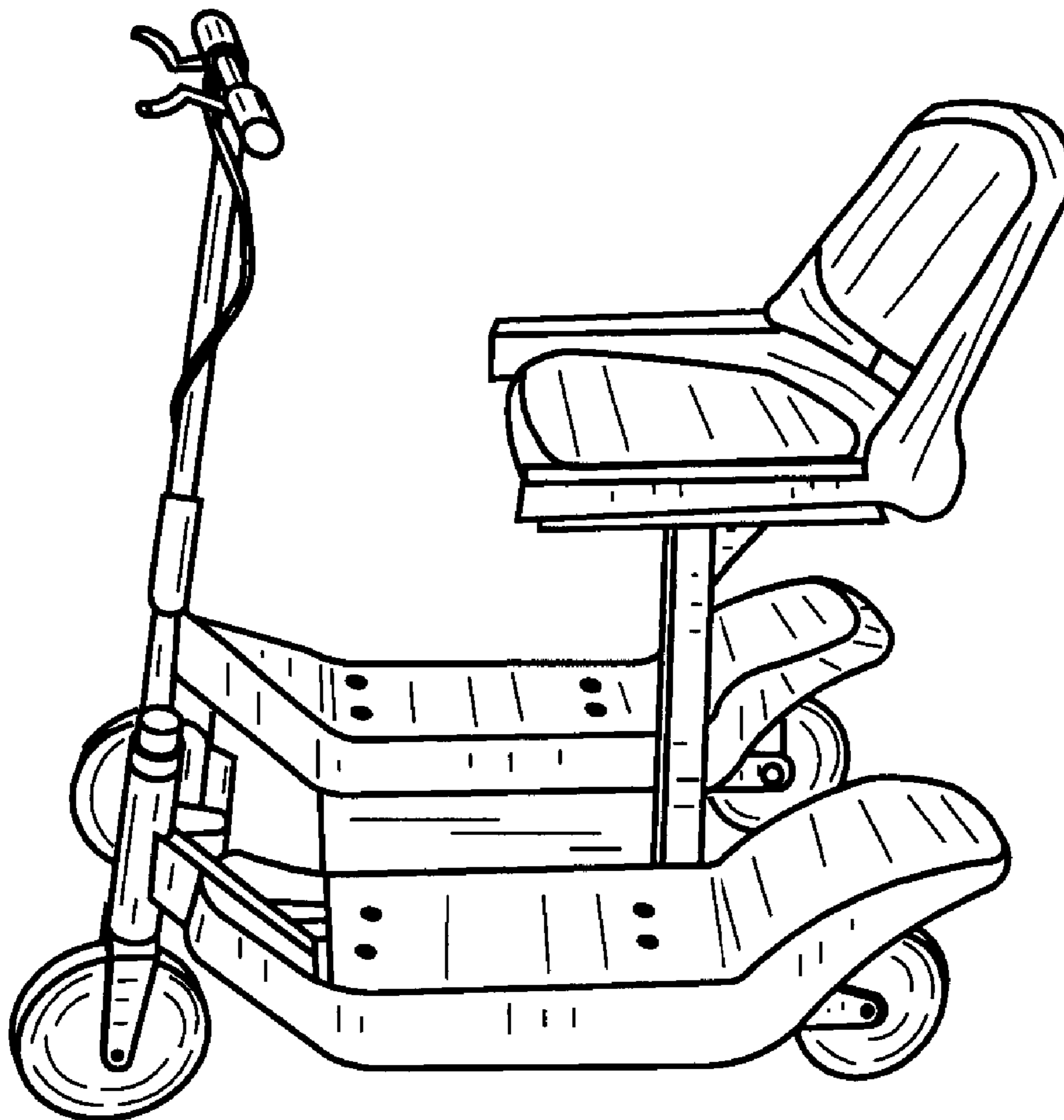
(57) **CLAIM**

The ornamental design for mobility vehicle, as shown and described.

**DESCRIPTION**

FIG. 1 is a front view of a first embodiment of a mobility vehicle of the present invention; FIG. 2 is a side view of the vehicle; FIG. 3 is a rear view of the vehicle; and, FIG. 4 is a perspective view of the vehicle disassembled for storage.

**1 Claim, 1 Drawing Sheet**



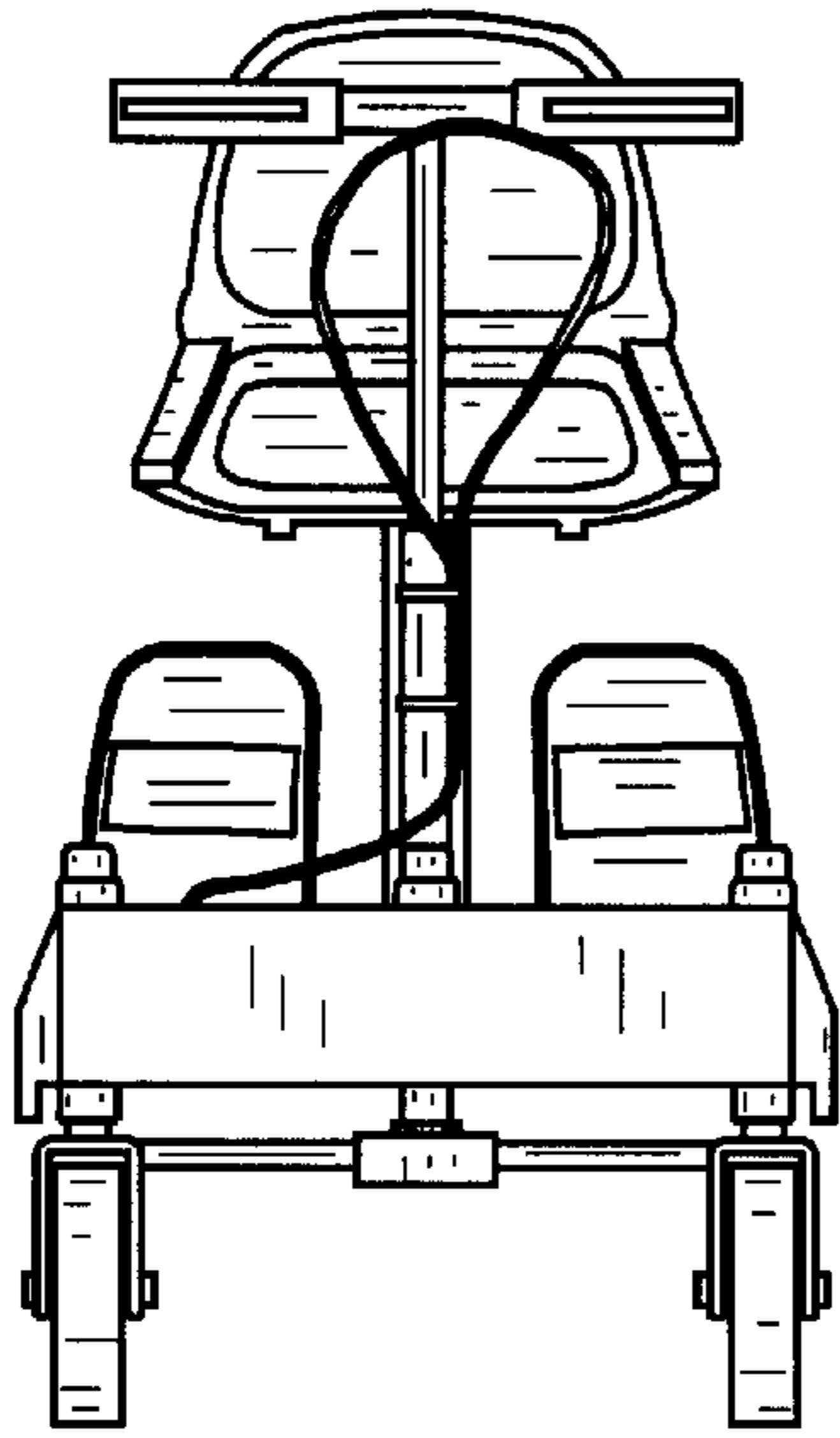


FIG. 1

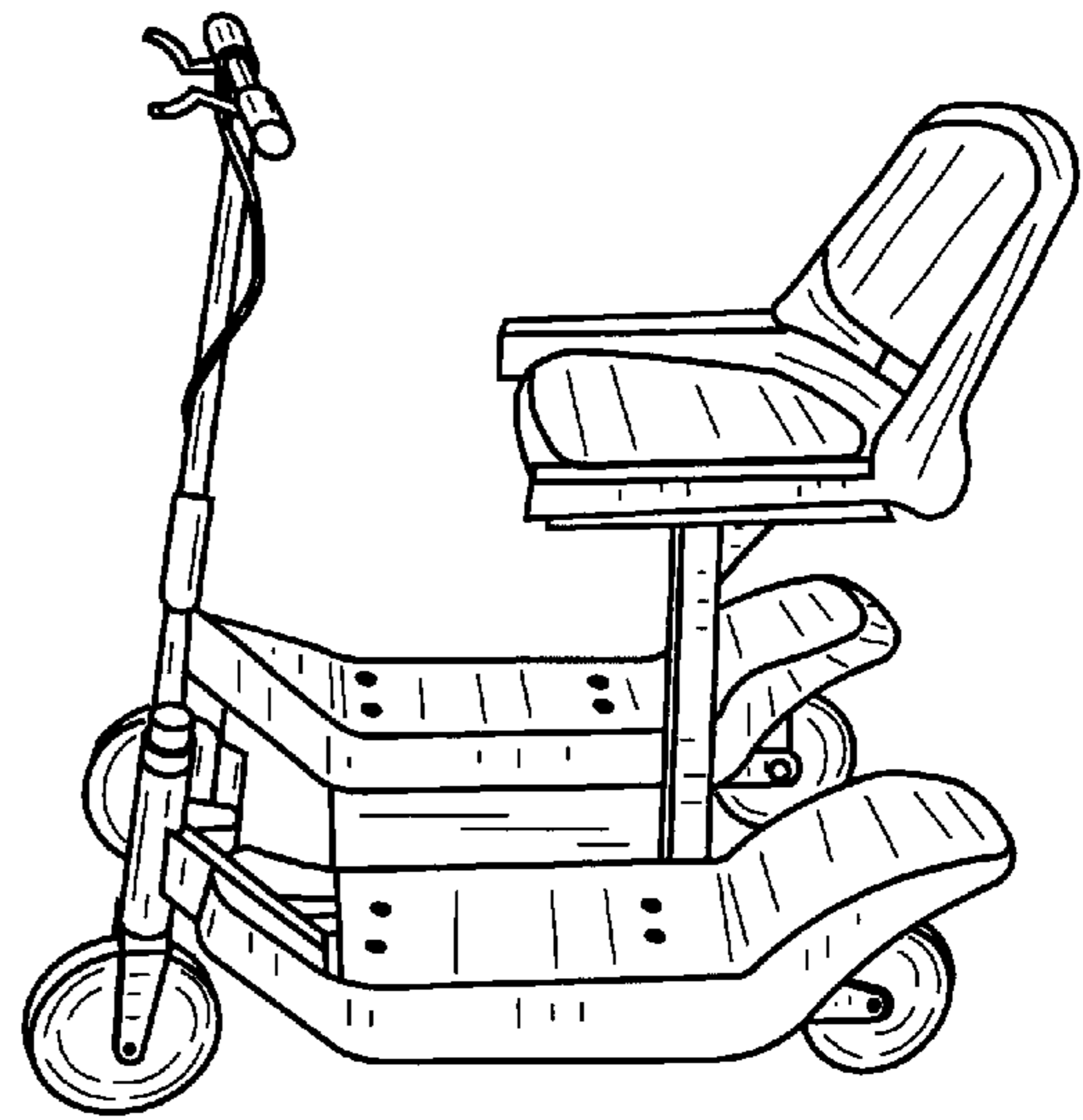


FIG. 2

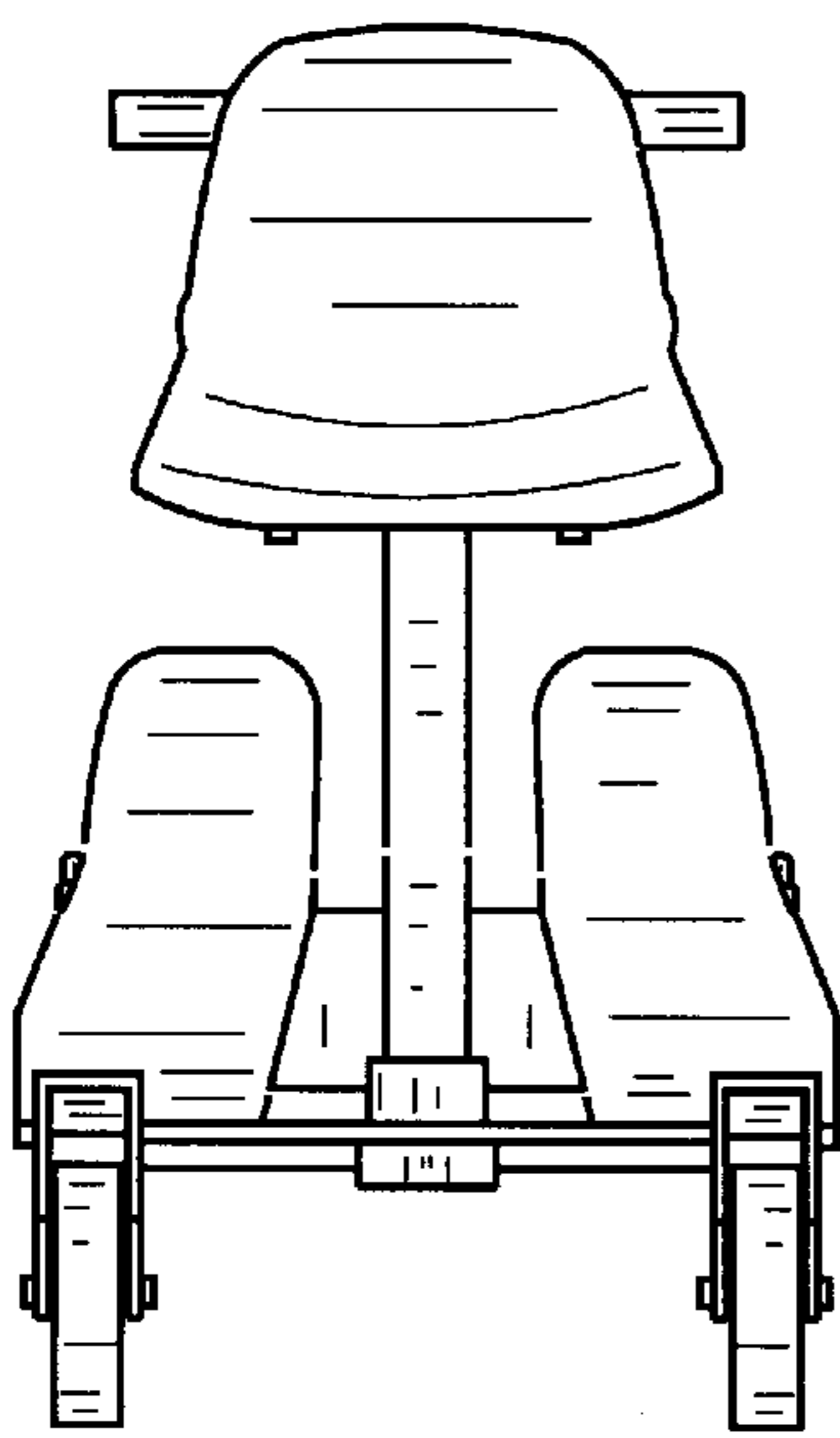


FIG. 3

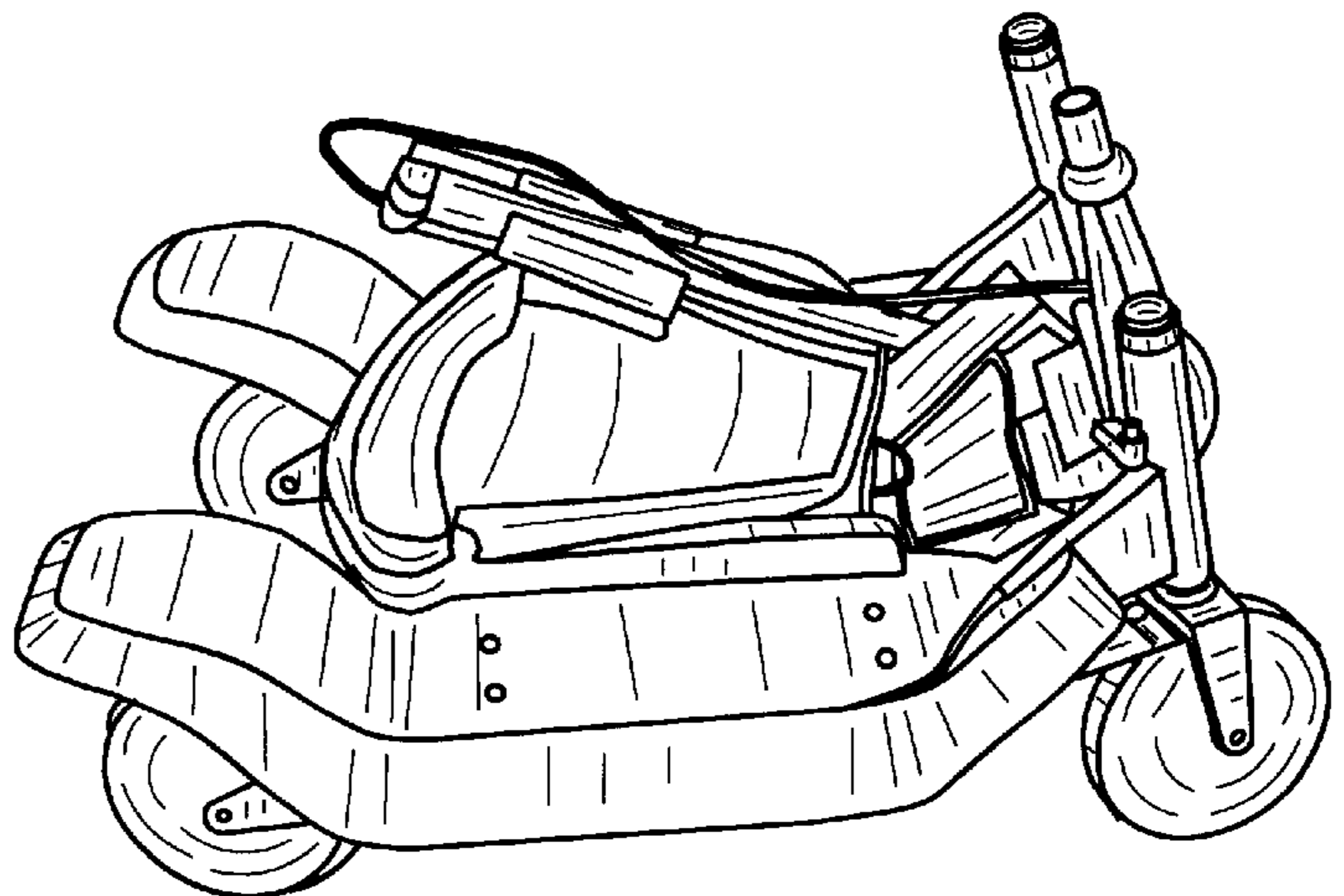


FIG. 4