



US00D489648S

(12) **United States Design Patent**
Gale et al.

(10) **Patent No.:** **US D489,648 S**

(45) **Date of Patent:** **** May 11, 2004**

(54) **AUTOMOBILE BODY**

(75) Inventors: **Jeff C Gale**, Birmingham, MI (US);
Robert B McMahan, Bloomfield-Hills,
MI (US); **Norman Kleiner**, Otisville,
MI (US); **Gary D Guichard**,
Farmington Hills, MI (US); **Ralph V
Gilles**, Lake Orion, MI (US)

(73) Assignee: **DaimlerChrysler Corporation**, Auburn
Hills, MI (US)

(**) Term: **14 Years**

(21) Appl. No.: **29/189,275**

(22) Filed: **Sep. 2, 2003**

Related U.S. Application Data

(63) Continuation of application No. 29/173,050, filed on Dec.
20, 2002, now Pat. No. Des. 479,492.

(51) **LOC (7) Cl.** **12-08**

(52) **U.S. Cl.** **D12/92**

(58) **Field of Search** D12/90-92, 86;
296/185

(56) **References Cited**

U.S. PATENT DOCUMENTS

D454,521 S * 3/2002 Allen D12/91

D466,053 S * 11/2002 O'Connell et al. D12/91
D466,443 S * 12/2002 Faurote et al. D12/91
D466,451 S * 12/2002 Trostle et al. D12/98
D472,850 S 4/2003 Frasher et al.
D479,492 S * 9/2003 Gale et al. D12/91

* cited by examiner

Primary Examiner—Melody N. Brown

(74) *Attorney, Agent, or Firm*—Ralph E. Smith

(57) **CLAIM**

The ornamental design for an automobile body, as shown
and described.

DESCRIPTION

FIG. 1 is a front perspective view of an automobile body
showing our new design;

FIG. 2 is a back perspective view thereof;

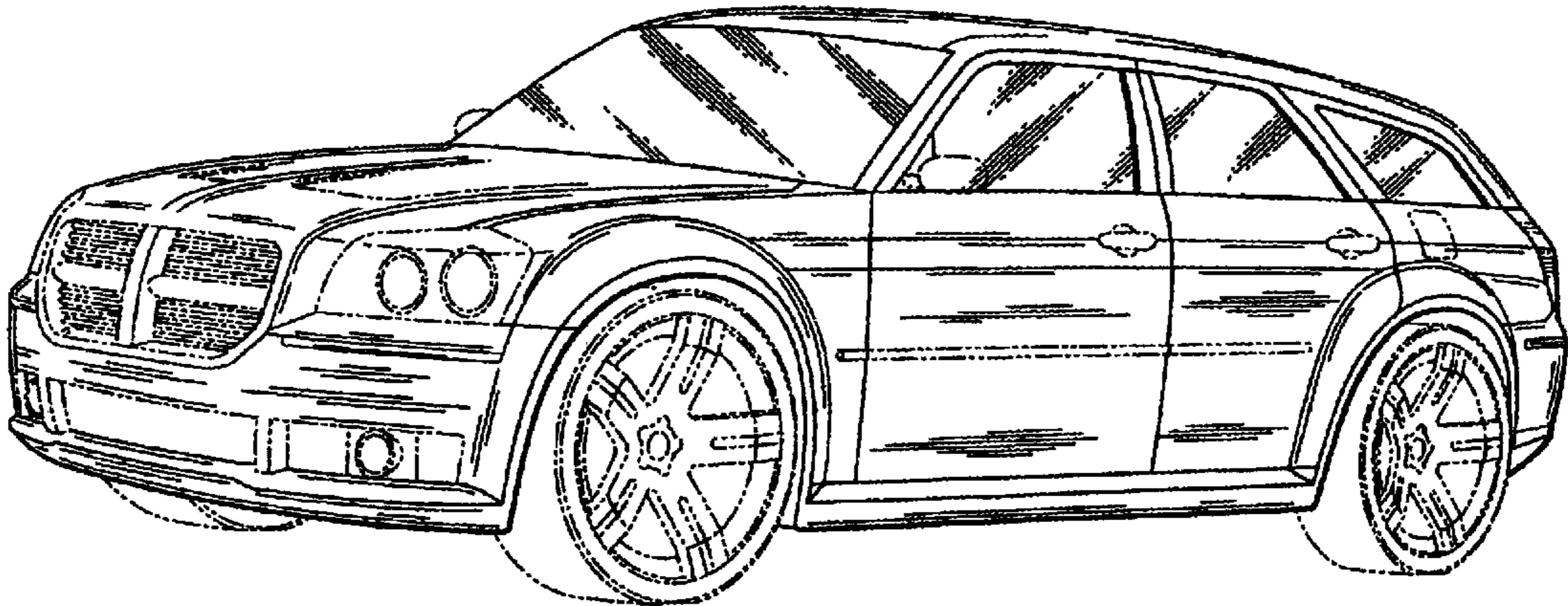
FIG. 3 is a side view thereof;

FIG. 4 is a front view thereof; and,

FIG. 5 is a rear view thereof.

It will be understood that the roof of the automobile body is
plain and unornamental, and further that dashed lines pre-
sented in the drawings are for illustration only, and do not
form a part of the claimed design.

1 Claim, 5 Drawing Sheets



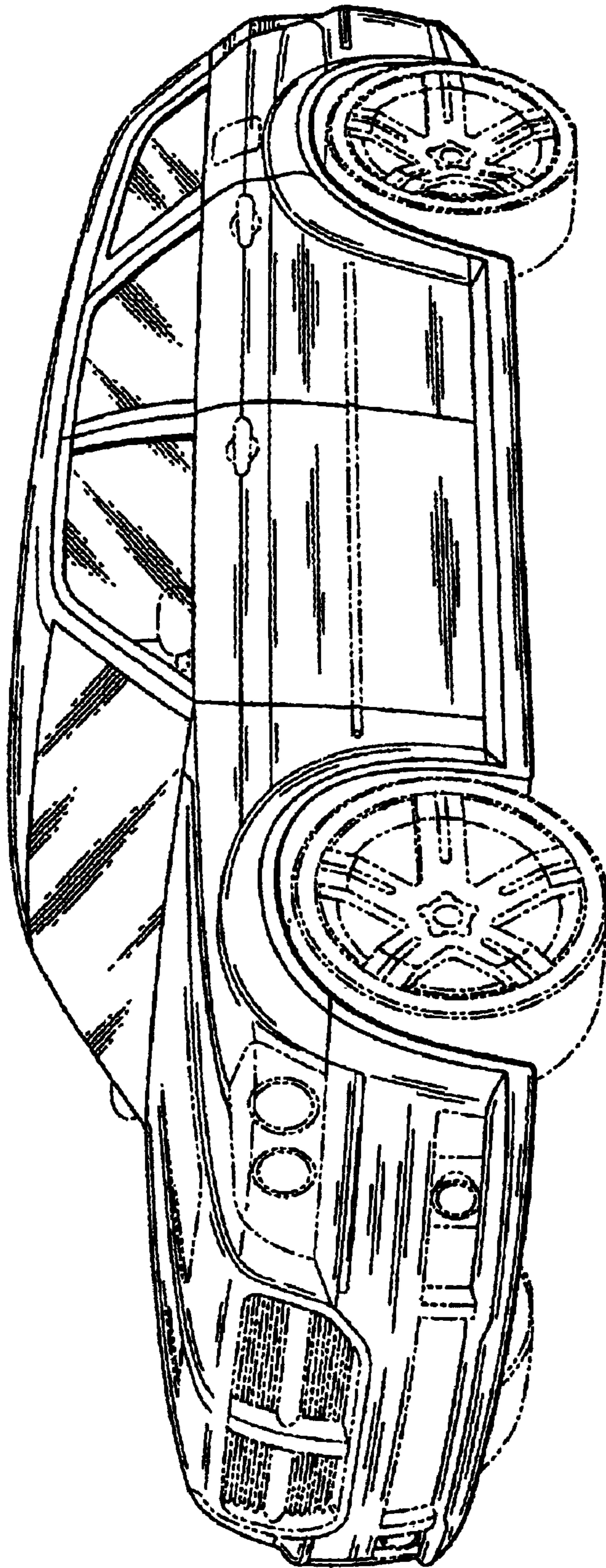


Fig. 1

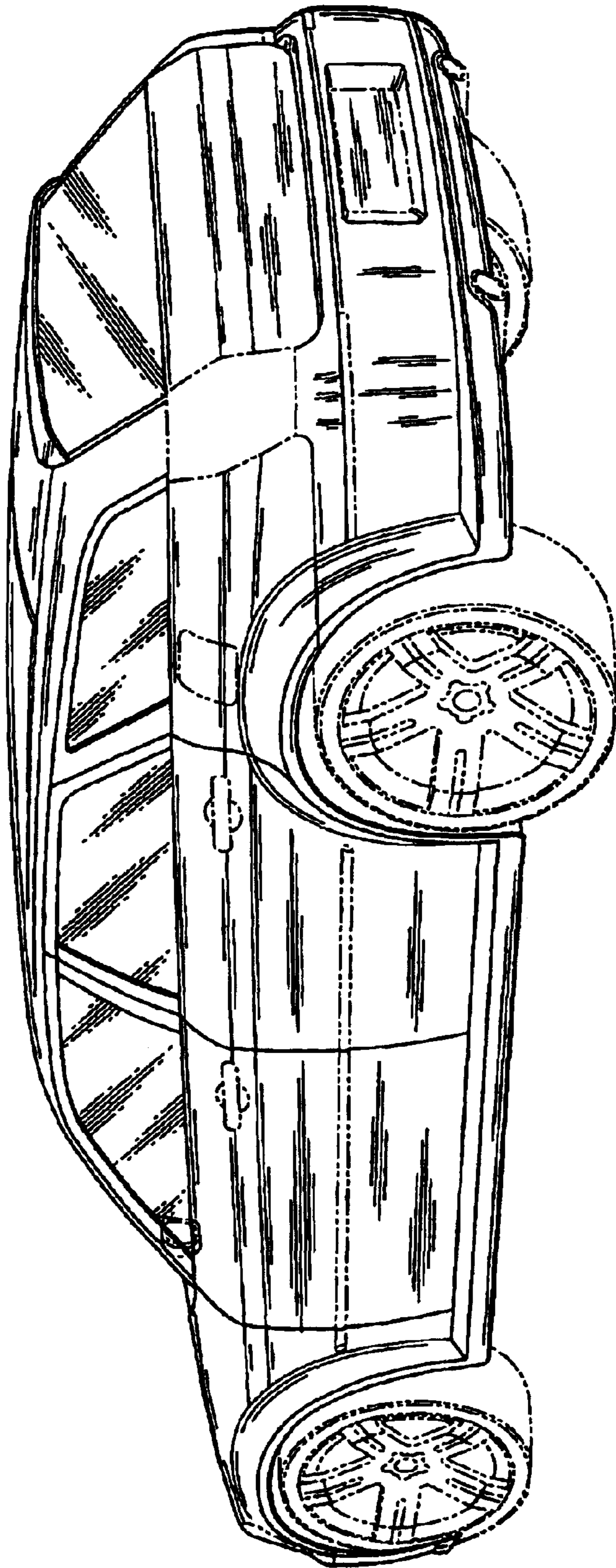


Fig. 2

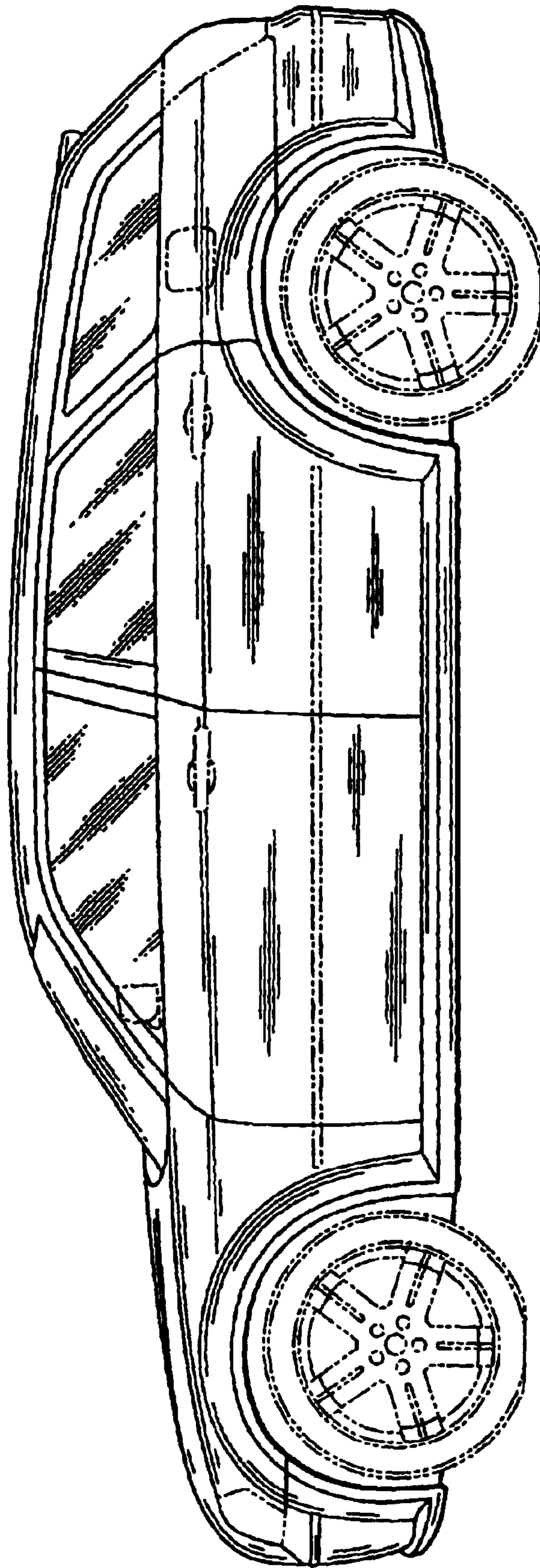


Fig. 3

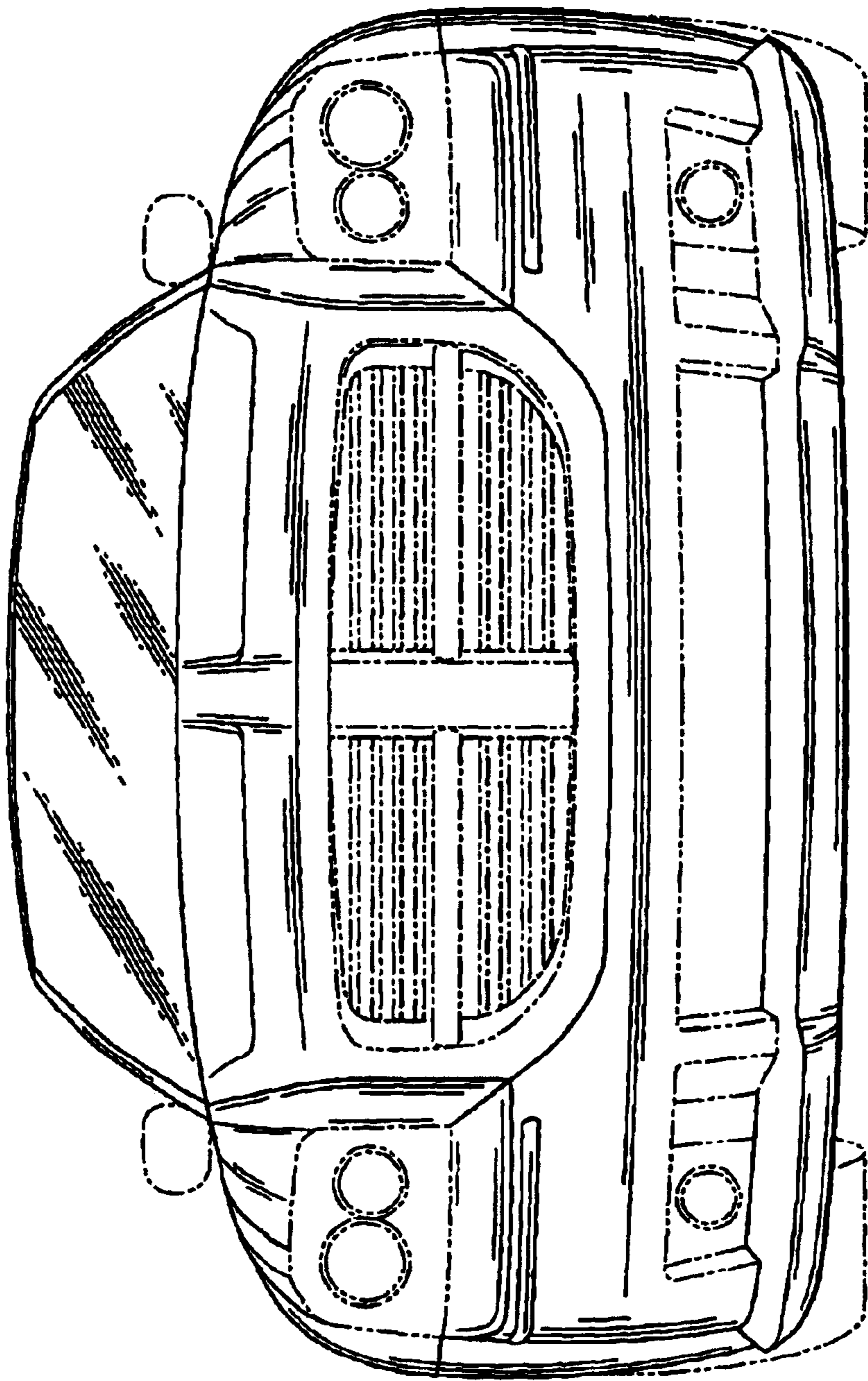


Fig. 4

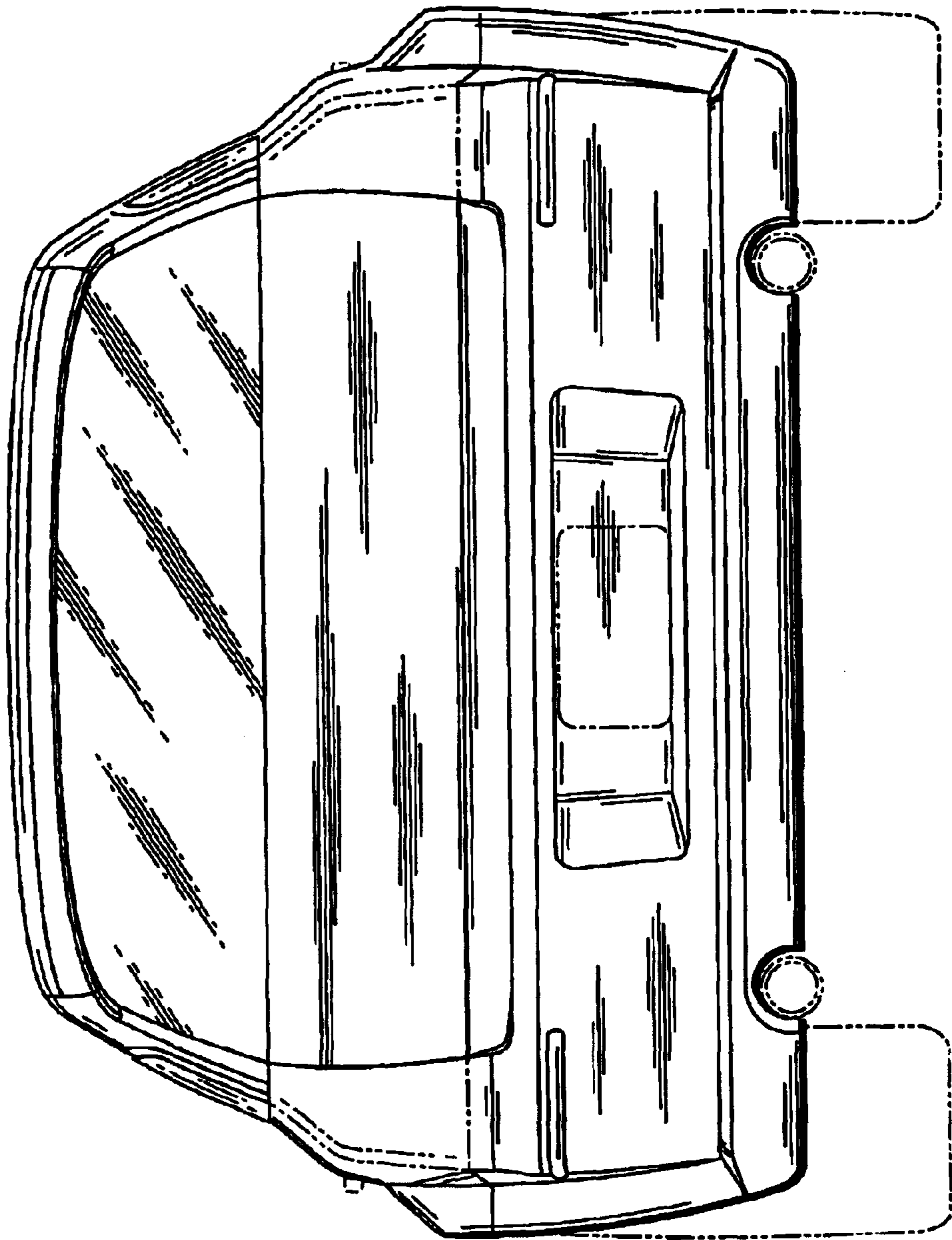


Fig. 5