



US00D489645S

(12) **United States Design Patent**
Matsuoka

(10) **Patent No.:** **US D489,645 S**
(45) **Date of Patent:** **** May 11, 2004**

(54) **AUTOMOBILE BODY**

(76) Inventor: **Ryosuke Matsuoka**, 120 The Village
#110, Redondo Beach, CA (US) 90277

(**) Term: **14 Years**

(21) Appl. No.: **29/173,729**

(22) Filed: **Jan. 6, 2003**

(51) **LOC (7) Cl.** **12-08**

(52) **U.S. Cl.** **D12/92**

(58) **Field of Search** D12/90-92, 86;
296/185

(56) **References Cited**

U.S. PATENT DOCUMENTS

D408,330 S	*	4/1999	Hsu et al.	D12/92
D455,102 S	*	4/2002	Crijns	D12/92
D467,201 S	*	12/2002	Giugiaro	D12/92
D475,656 S	*	6/2003	Stevens	D12/92

* cited by examiner

Primary Examiner—Melody N. Brown

(57) **CLAIM**

The ornamental design for an automobile body, as shown and described.

DESCRIPTION

FIG. 1 is a front view of an automobile body constructed according to my novel design;

FIG. 2 is a right side view thereof;

FIG. 3 is a left side view thereof;

FIG. 4 is a rear view thereof;

FIG. 5 is a top plan view thereof;

FIG. 6 is a front right elevational perspective view thereof;

FIG. 7 is a rear elevational perspective view thereof;

FIG. 8 is a front view of another embodiment of an automobile body constructed according to my novel design;

FIG. 9 is a right side view of the automobile body of FIG. 8;

FIG. 10 is a left side view of the automobile body of FIG. 8;

FIG. 11 is a rear view of the automobile body of FIG. 8;

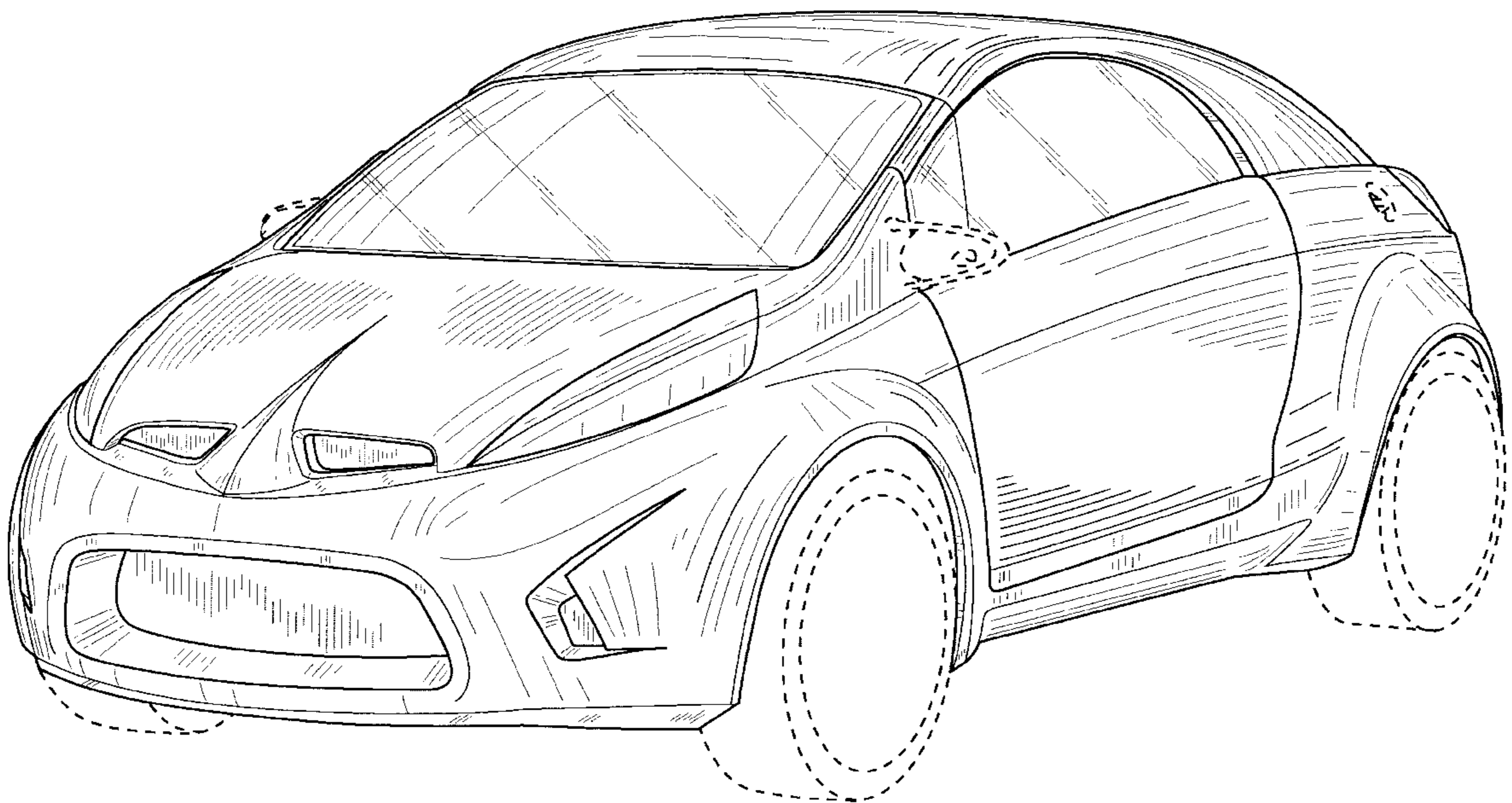
FIG. 12 is a top plan view of the automobile body of FIG. 8;

FIG. 13 is a front right elevational perspective view of the automobile body of FIG. 8; and,

FIG. 14 is a rear left elevational perspective view of the automobile body of FIG. 8.

The broken lines showing of environmental structure in FIGS. 1-14 of the drawings are for illustrative purposes only and form no part of the claimed design.

1 Claim, 14 Drawing Sheets



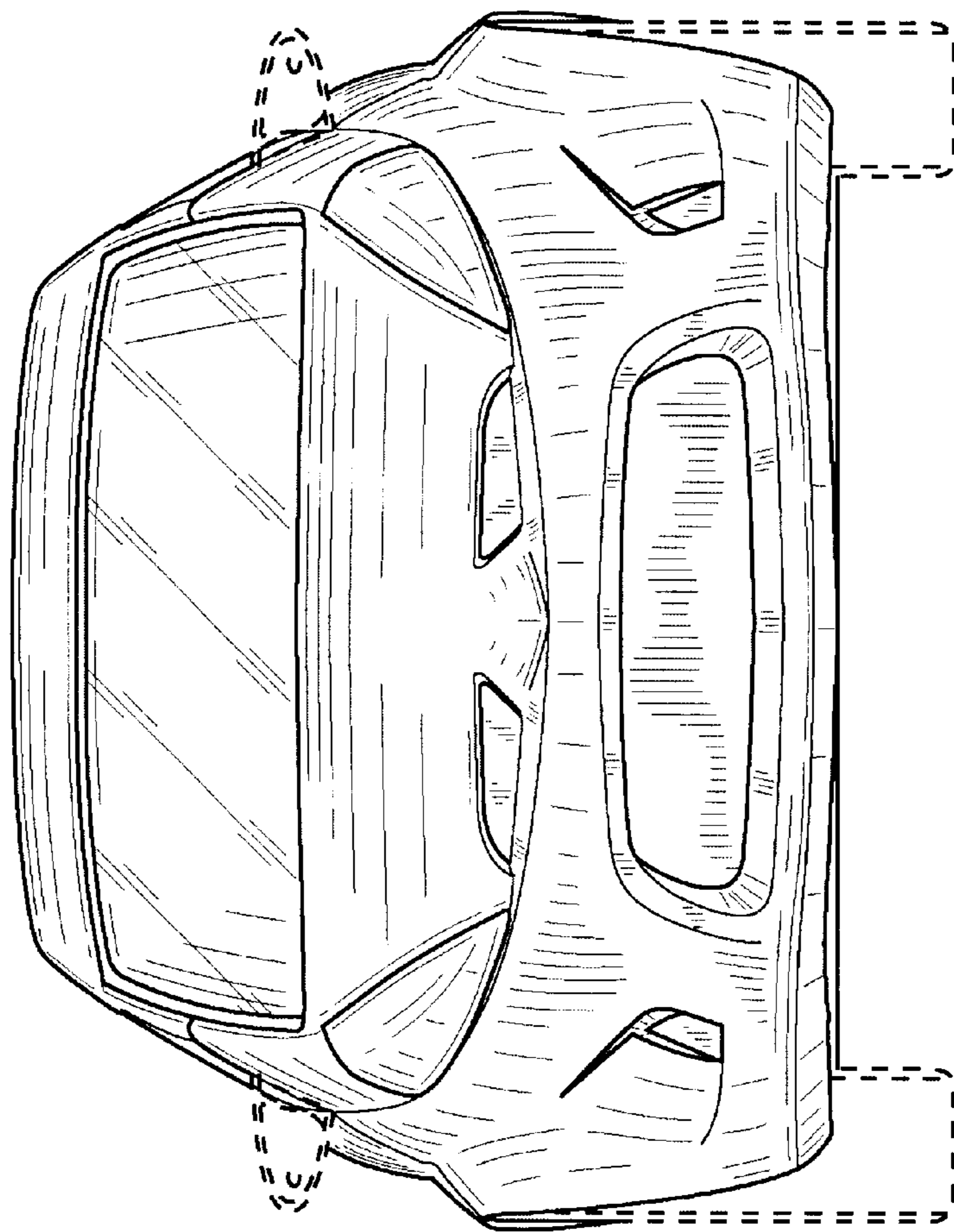


FIG. 1

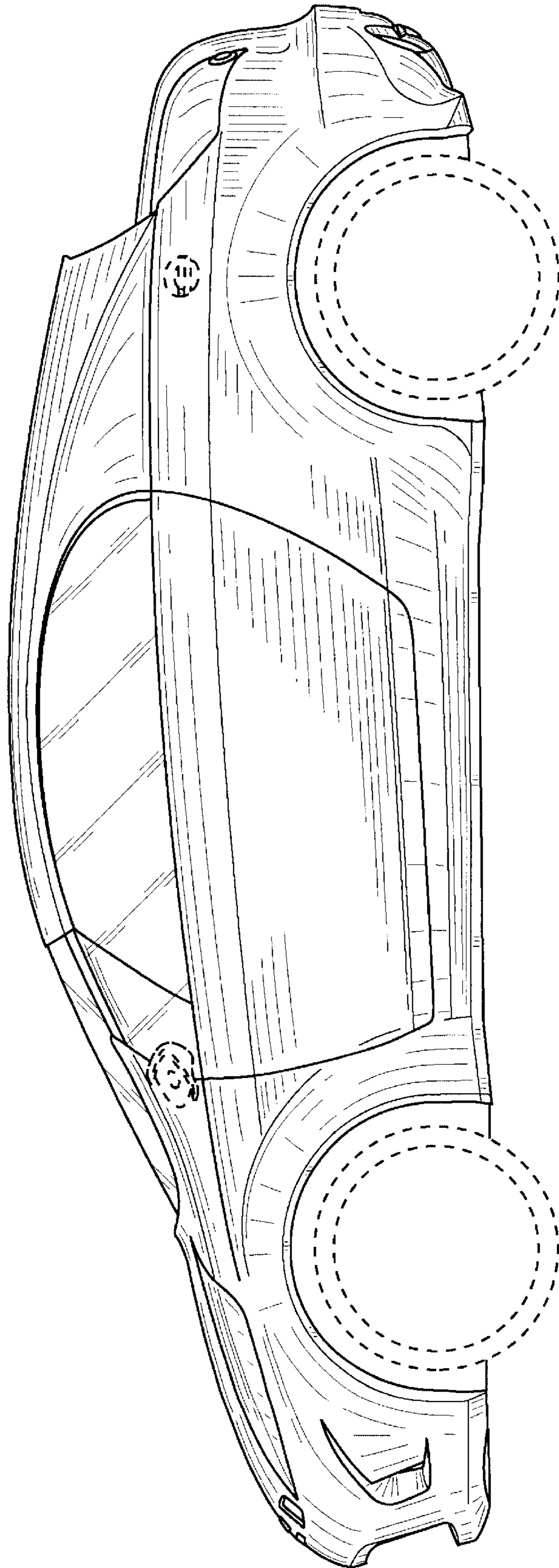


FIG. 2

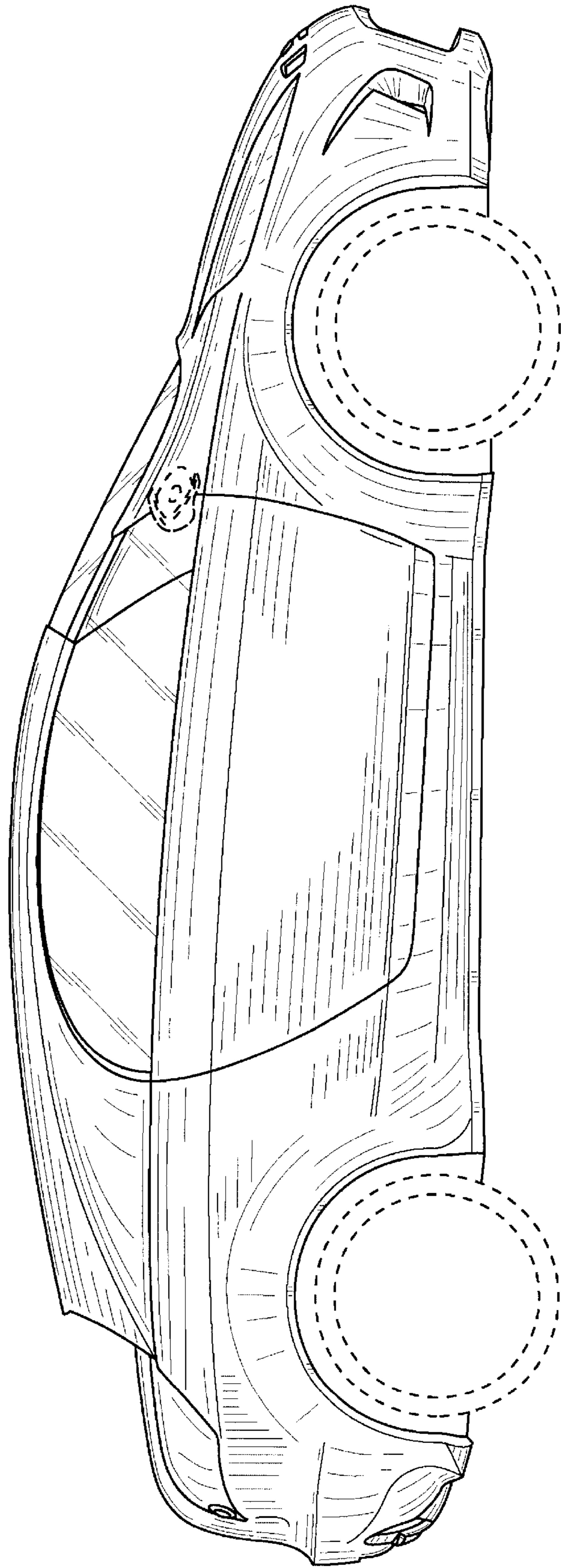


FIG. 3

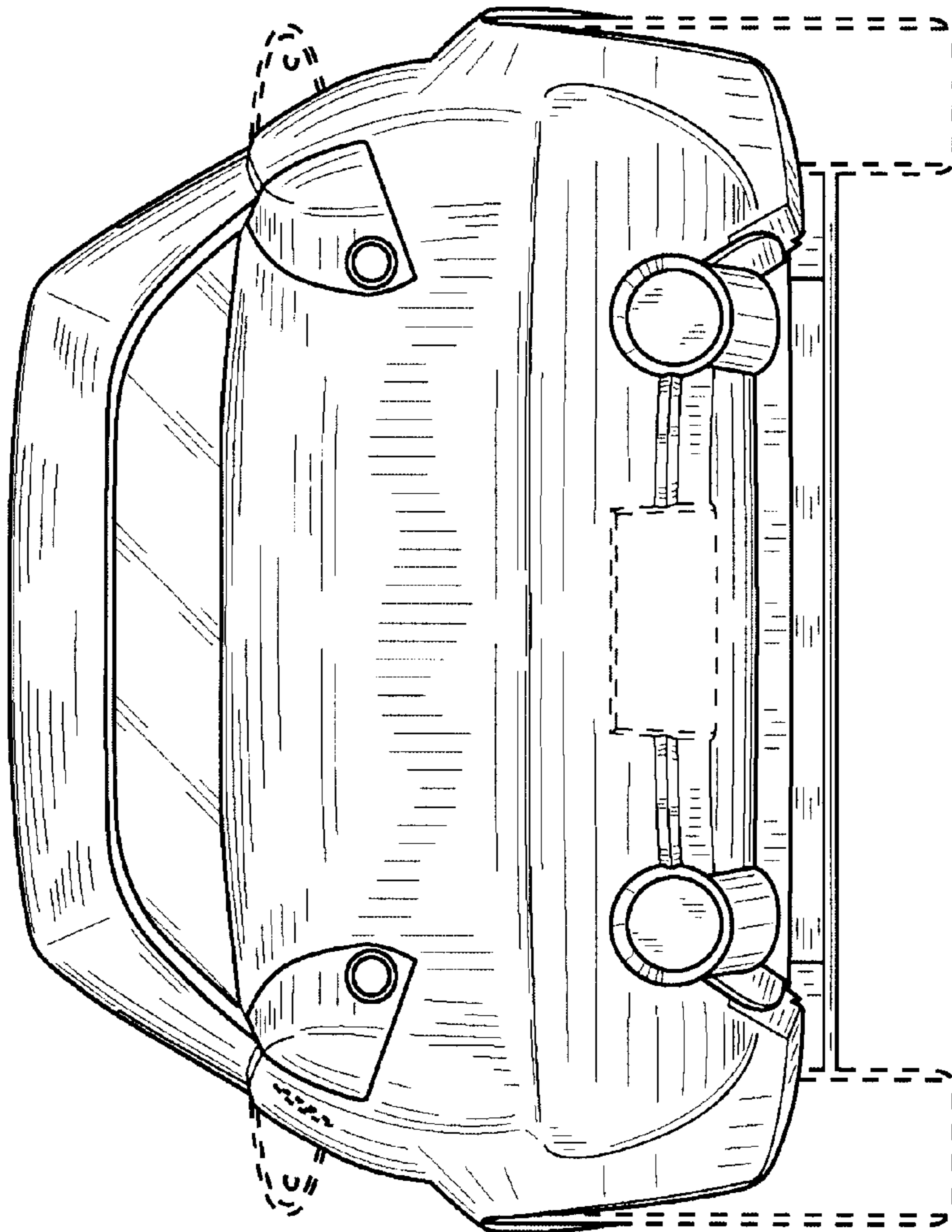


FIG. 4

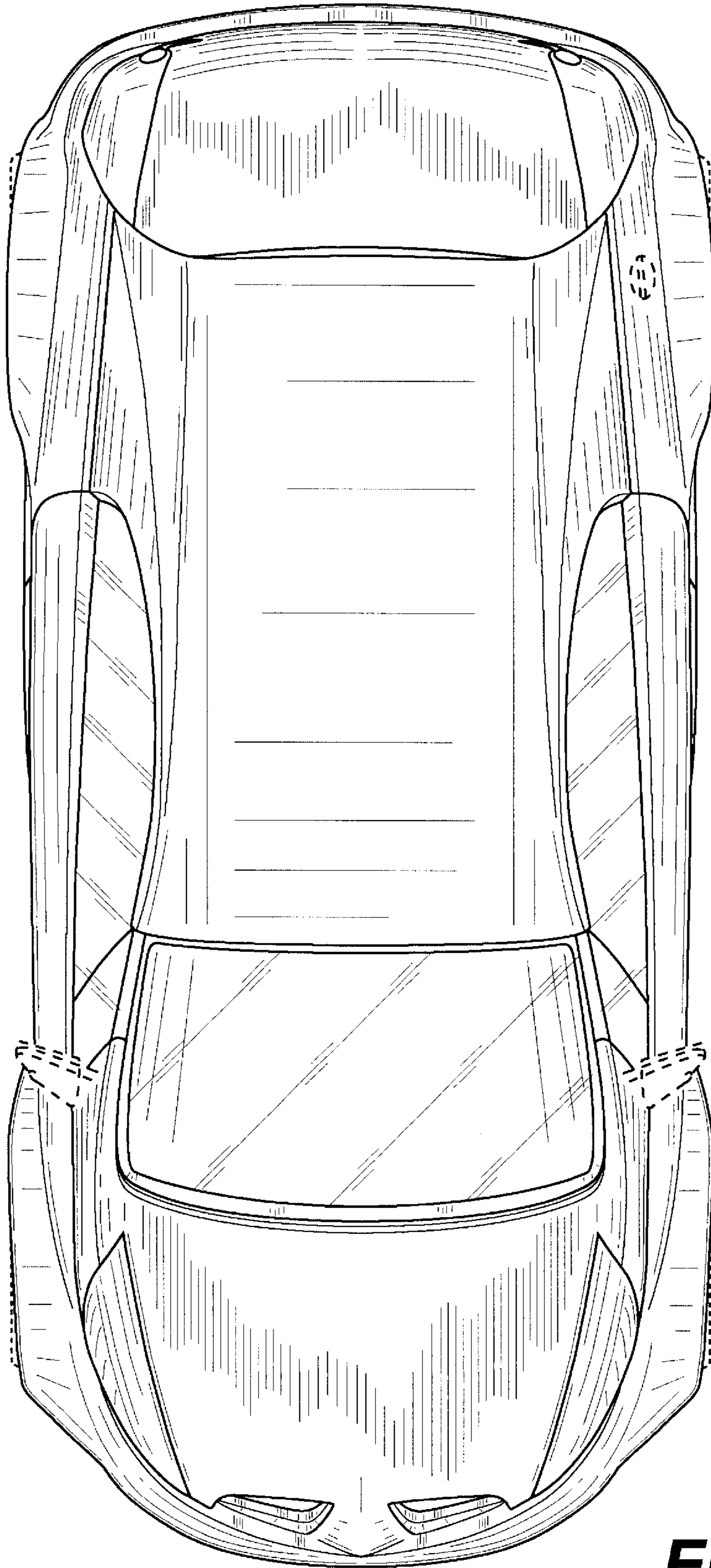


FIG. 5

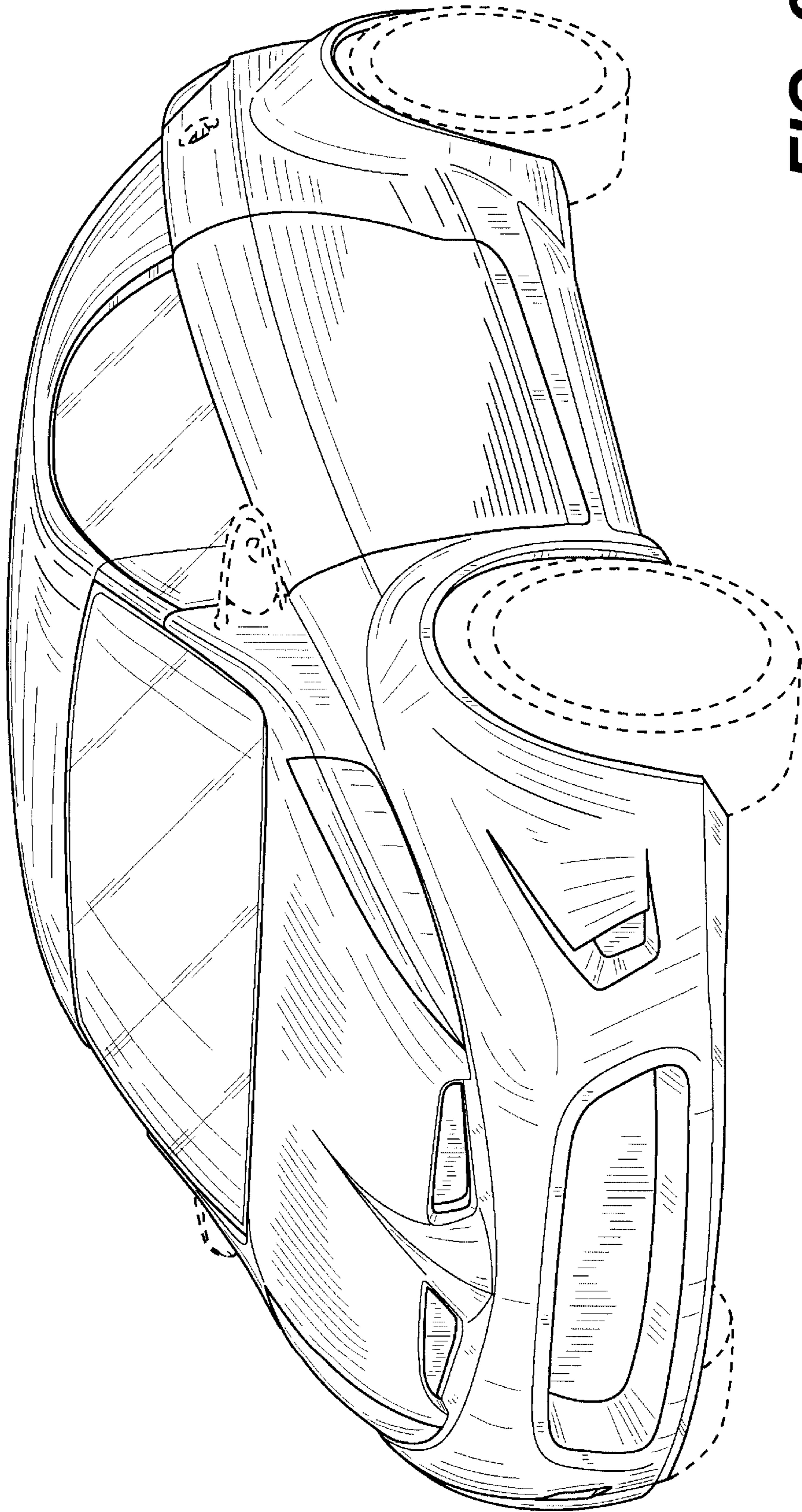


FIG. 6

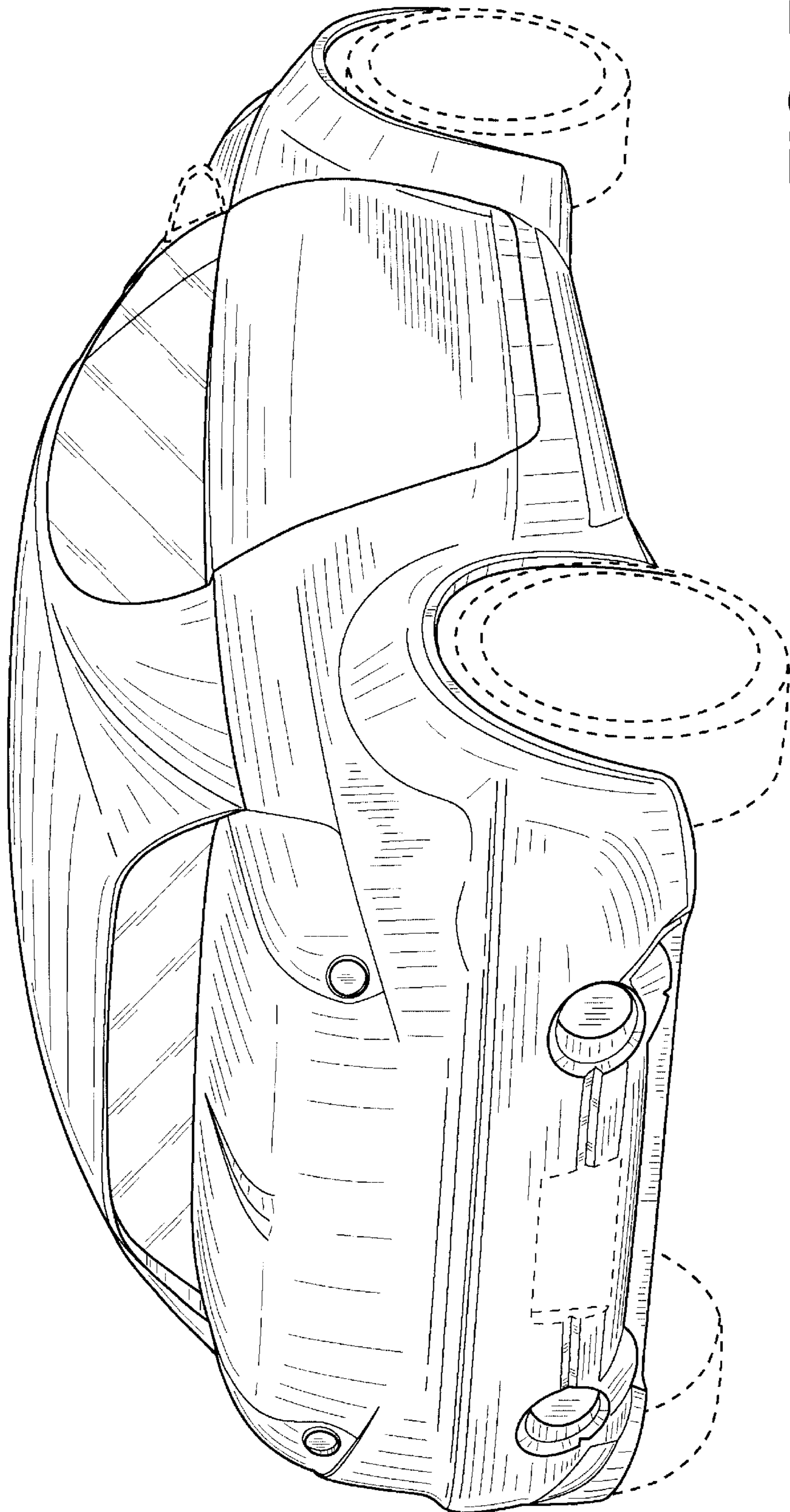


FIG. 7

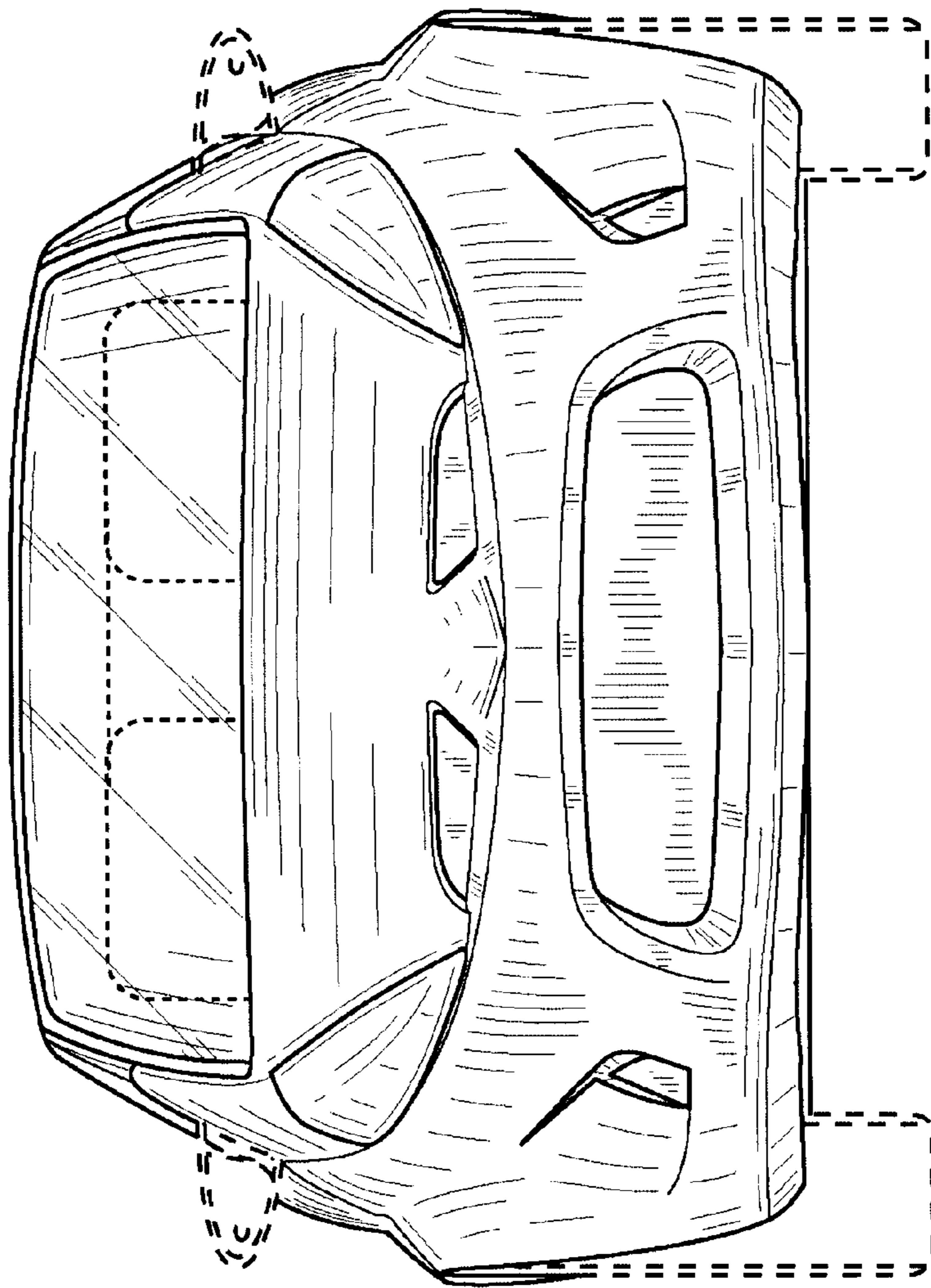


FIG. 8

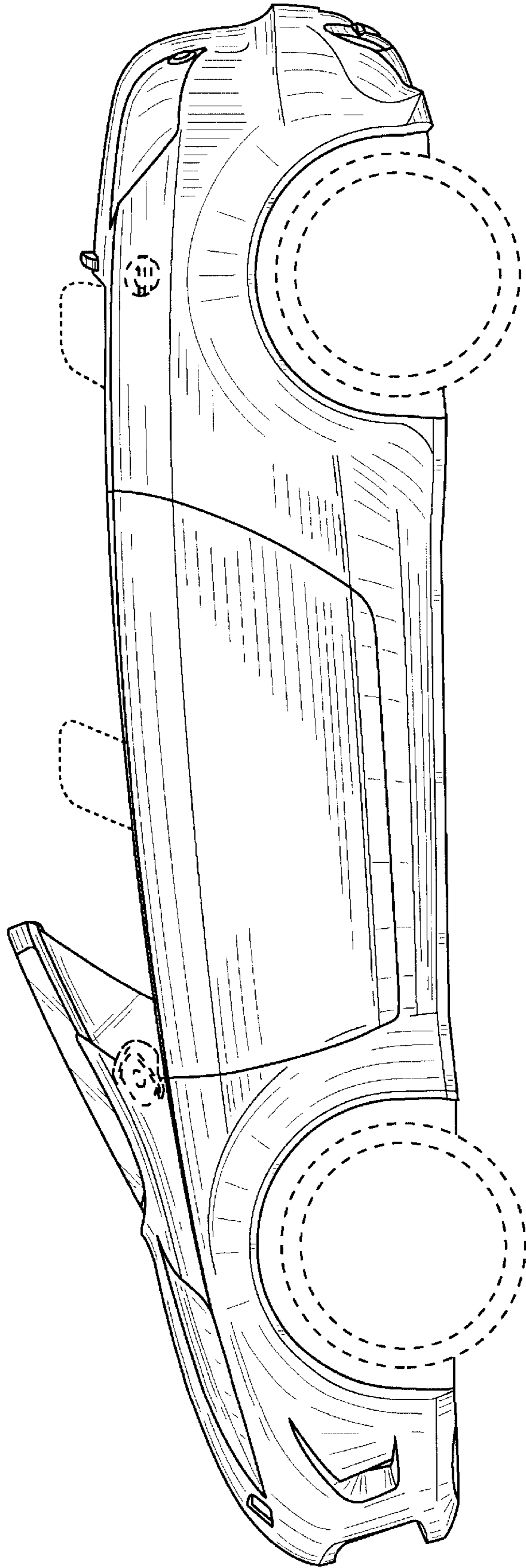


FIG. 9

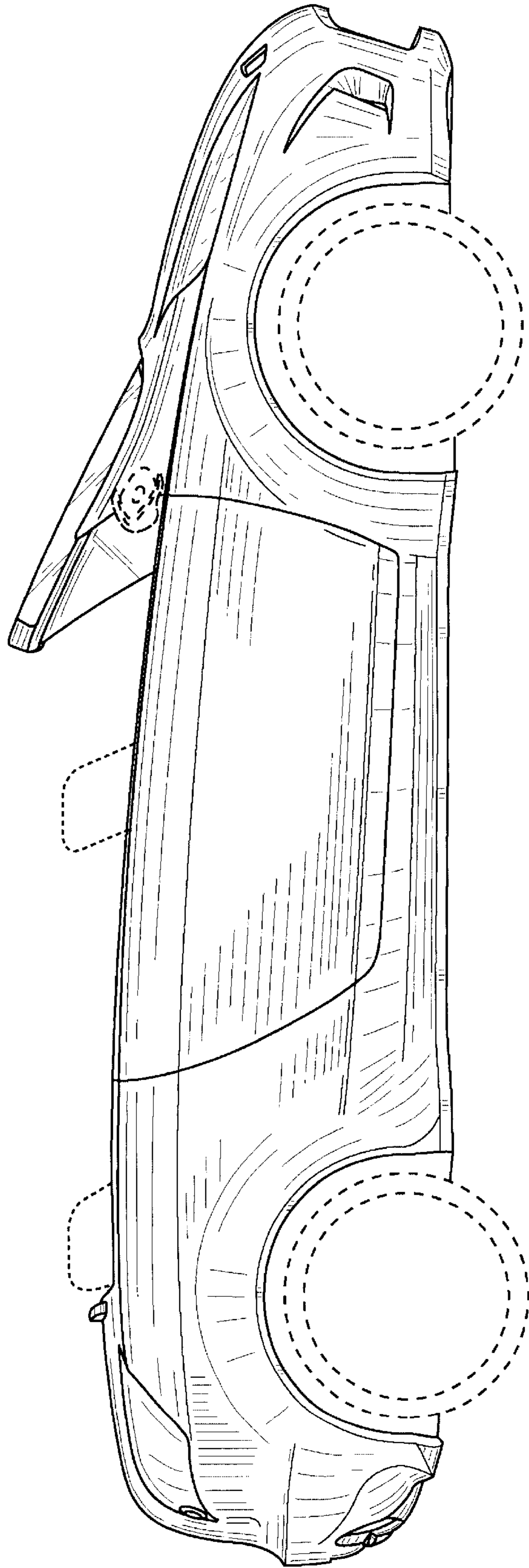


FIG. 10

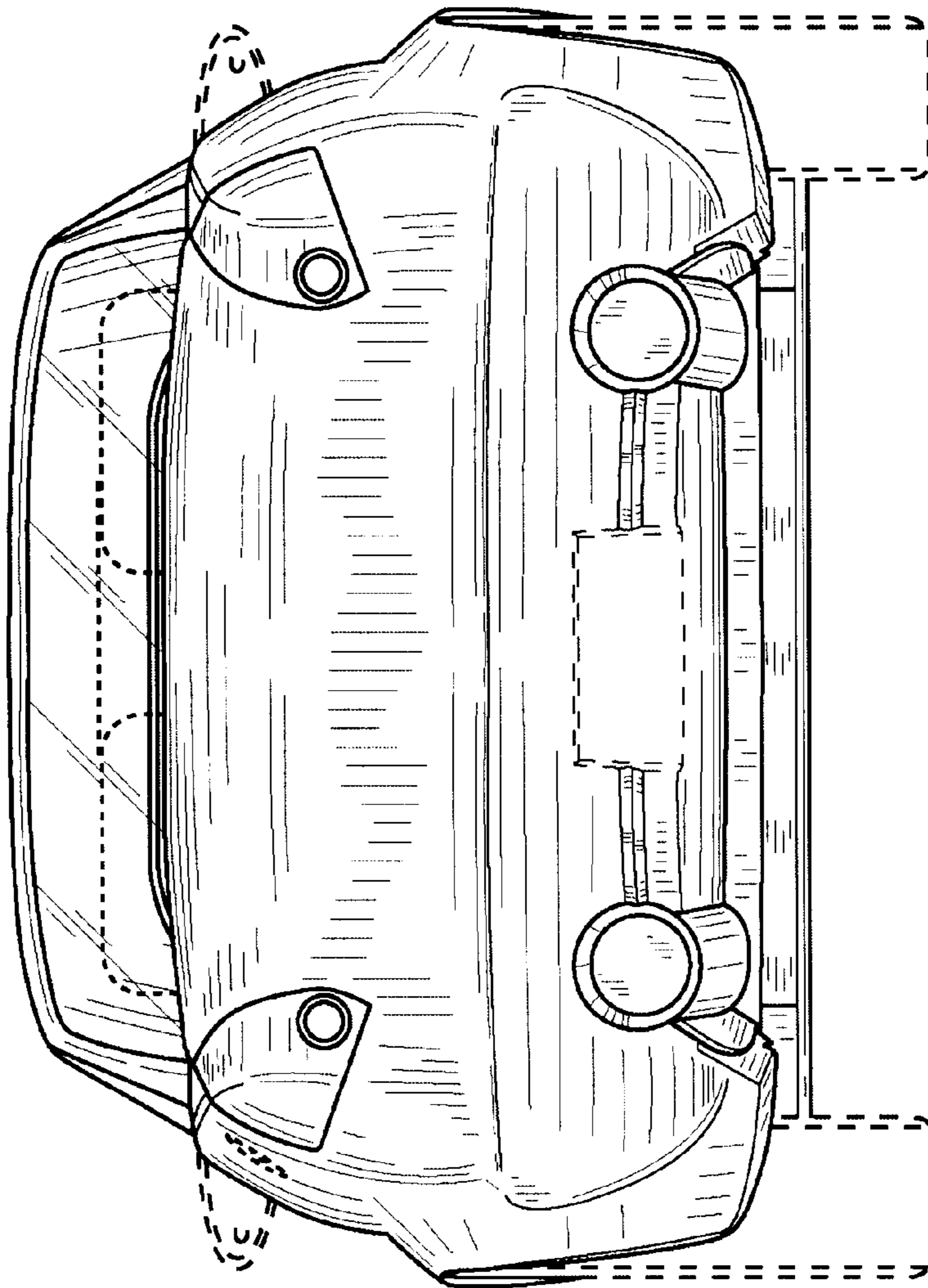


FIG. 11

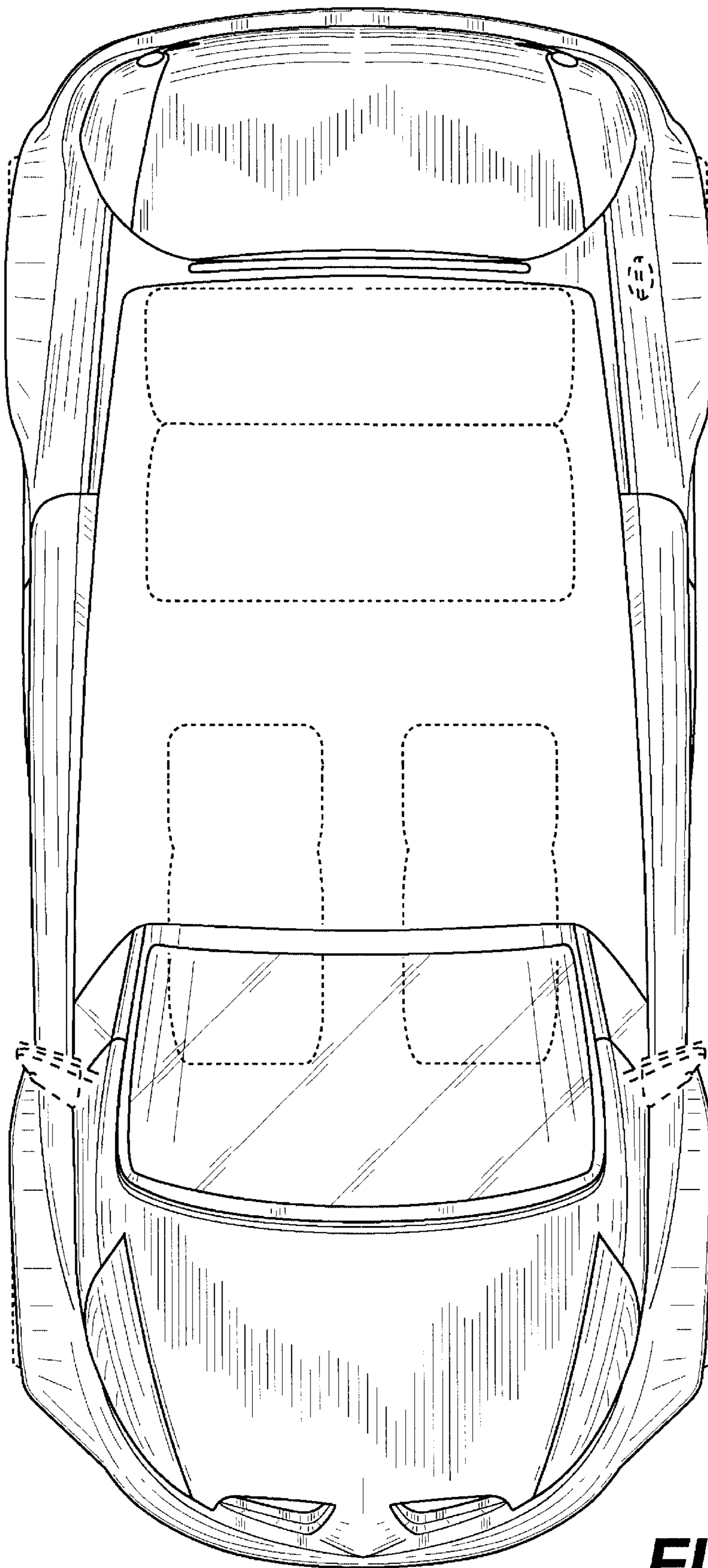


FIG. 12

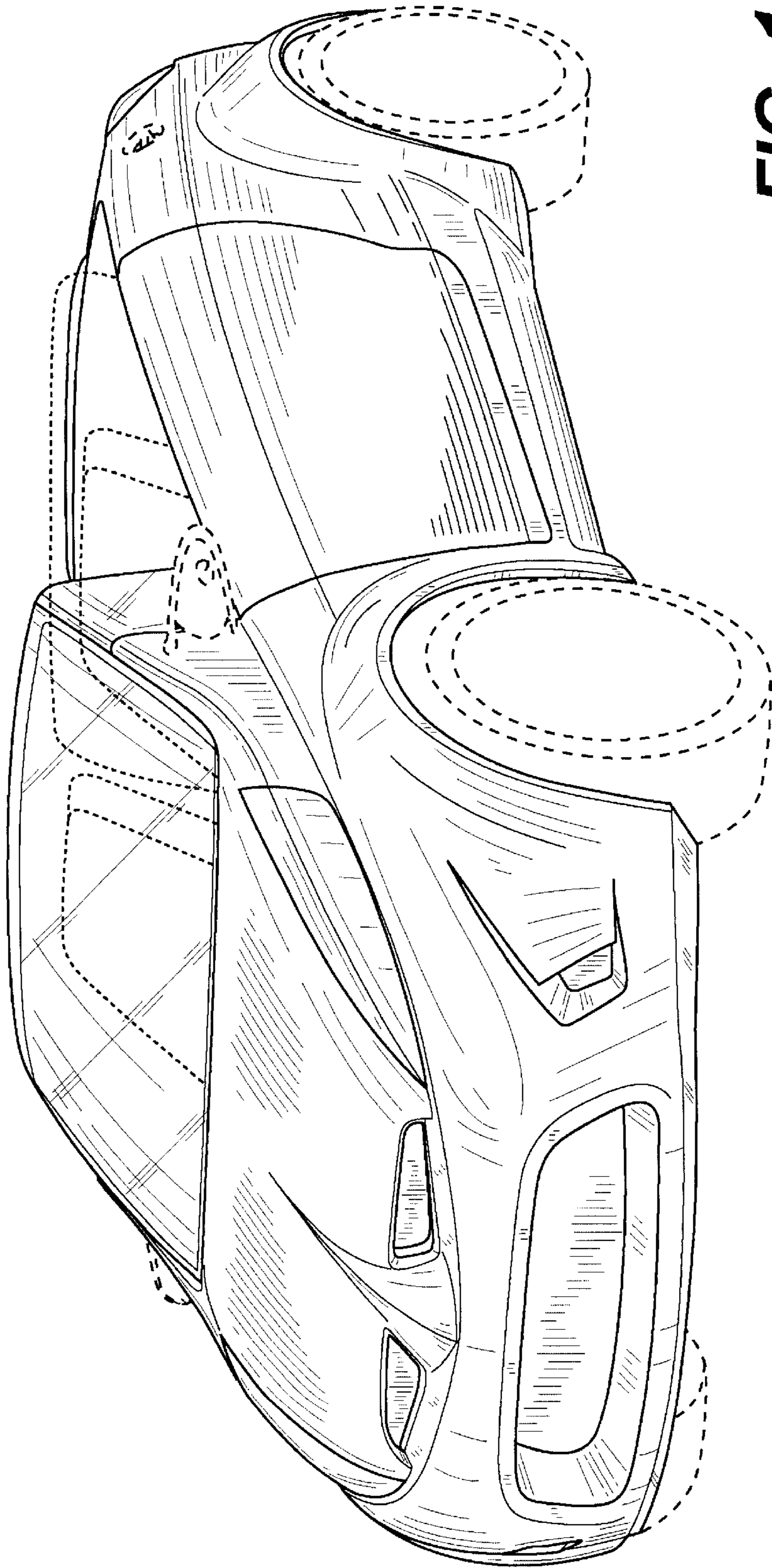


FIG. 13

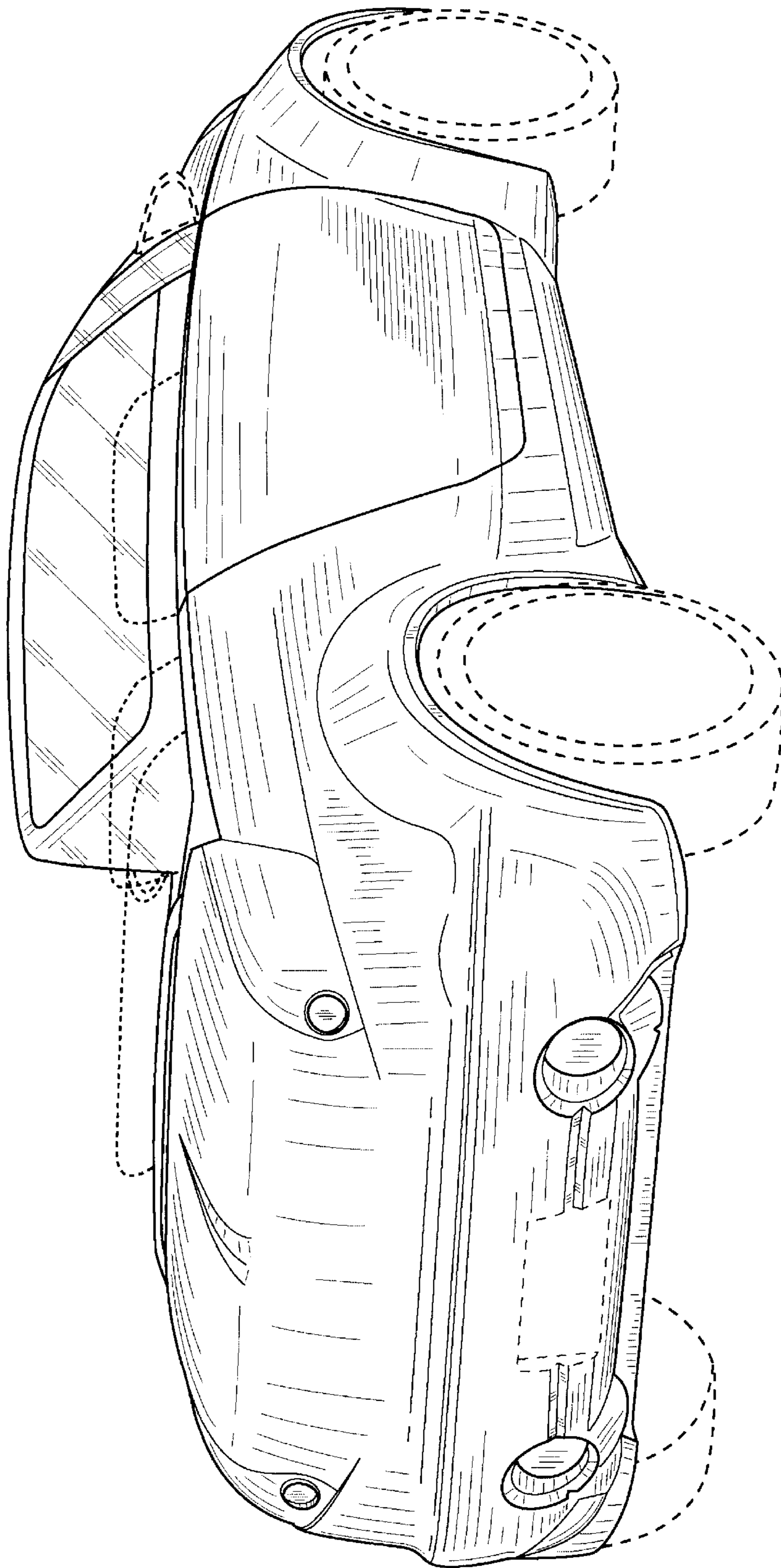


FIG. 14

UNITED STATES PATENT AND TRADEMARK OFFICE
CERTIFICATE OF CORRECTION

PATENT NO. : Des. 489,645 S
APPLICATION NO. : 29/173729
DATED : May 11, 2004
INVENTOR(S) : Ryosuke Matsuoka

Page 1 of 1

It is certified that error appears in the above-identified patent and that said Letters Patent is hereby corrected as shown below:

Please insert the following assignee's name on the face of the patent:

Mitsubishi Jidosha Kogyo Kabushiki Kaisha; Tokyo, Japan

Signed and Sealed this

Third Day of October, 2006

A handwritten signature in black ink on a dotted background. The signature reads "Jon W. Dudas" in a cursive style.

JON W. DUDAS

Director of the United States Patent and Trademark Office