



US00D489644S

(12) **United States Design Patent**
Berg et al.

(10) **Patent No.:** **US D489,644 S**

(45) **Date of Patent:** **** May 11, 2004**

(54) **REAR BEZEL FOR A SNOWMOBILE**

(75) Inventors: **Norman Berg**, Roseau, MN (US);
Robert Aronson, Roseau, MN (US);
Steven Collins, St. Clair, MI (US)

(73) Assignee: **Polaris Industries Inc.**, Medina, MN
(US)

(**) Term: **14 Years**

(21) Appl. No.: **29/174,682**

(22) Filed: **Jan. 22, 2003**

(51) **LOC (7) Cl.** **12-14**

(52) **U.S. Cl.** **D12/7**

(58) **Field of Search** D12/6-7, 9-11;
D21/760, 533, 766-767, 769; 180/182,
184, 186, 190, 193-194; 280/25-28, 16,
21.1, 22, 602, 809, 845

(56) **References Cited**

U.S. PATENT DOCUMENTS

D221,218 S	*	7/1971	Camp	D12/7
D224,907 S	*	10/1972	LaPointe et al.	D12/7
D377,632 S	*	1/1997	Strother	D12/7
D464,000 S	*	10/2002	Rondeau et al.	D12/107

* cited by examiner

Primary Examiner—Nelson C. Holtje

(74) *Attorney, Agent, or Firm*—Fredrikson & Byron, P.A.

(57) **CLAIM**

We claim the ornamental design for the rear bezel for a snowmobile, as shown and described.

DESCRIPTION

FIG. 1 is a side view of the rear bezel for a snowmobile of our design shown in its ordinary environment, mounted on a snowmobile;

FIG. 2 is a perspective view of the rear bezel for a snowmobile of our design taken from the rear and the side opposite that shown in FIG. 1;

FIG. 3 is a side view thereof, taken from the same side shown in FIG. 1, the opposite side being a mirror image;

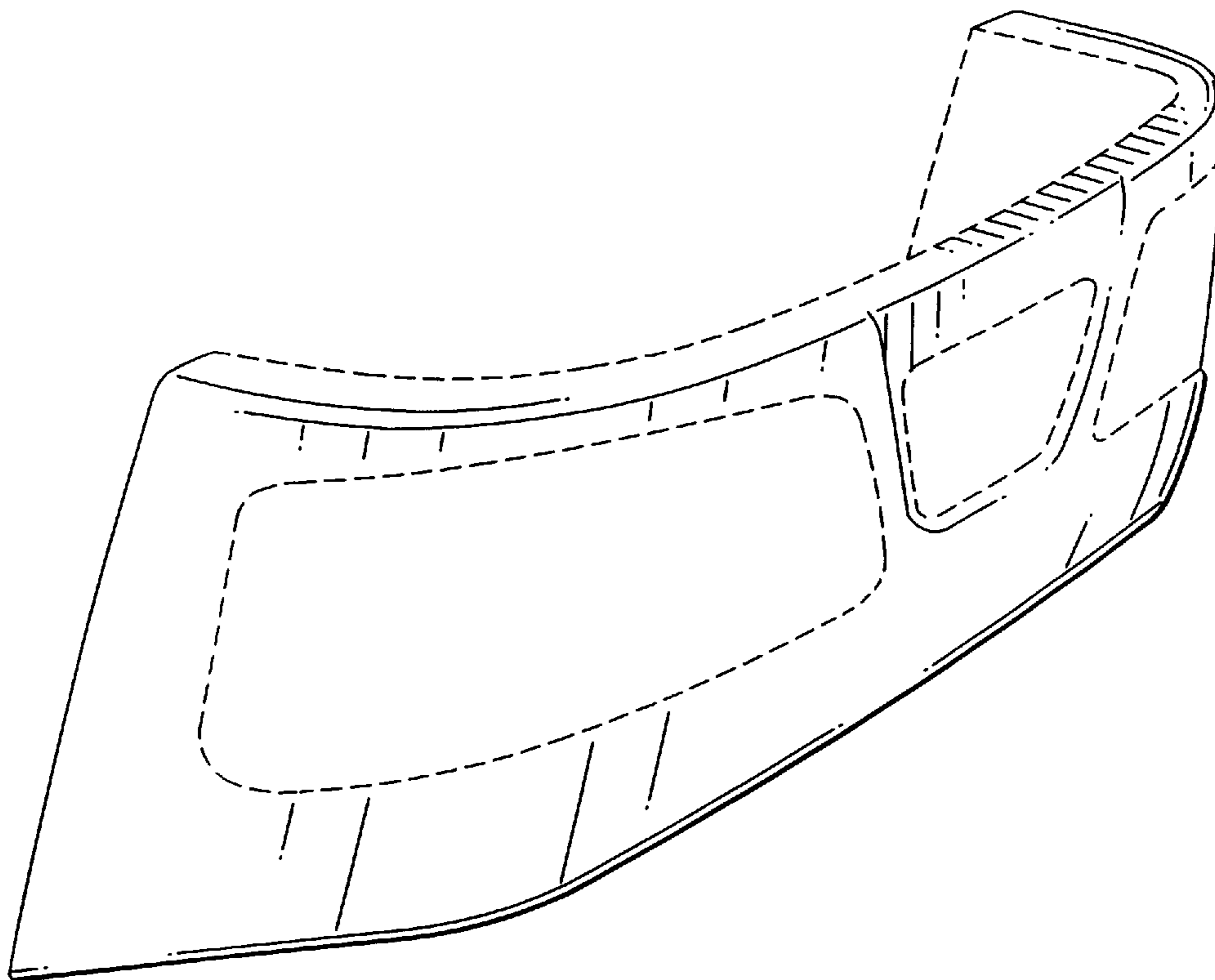
FIG. 4 is a rear view thereof;

FIG. 5 is a top view thereof; and,

FIG. 6 is a bottom view thereof.

Where included, broken lines showing environment or structure are for illustrative purposes only and form no part of the claimed design. The omission of a bottom view is intended to convey that the element(s) depicted is/are plain and unornamented in that omitted view. The rear bezel for a snowmobile in FIG. 1 is shown in a reduced scale.

1 Claim, 5 Drawing Sheets



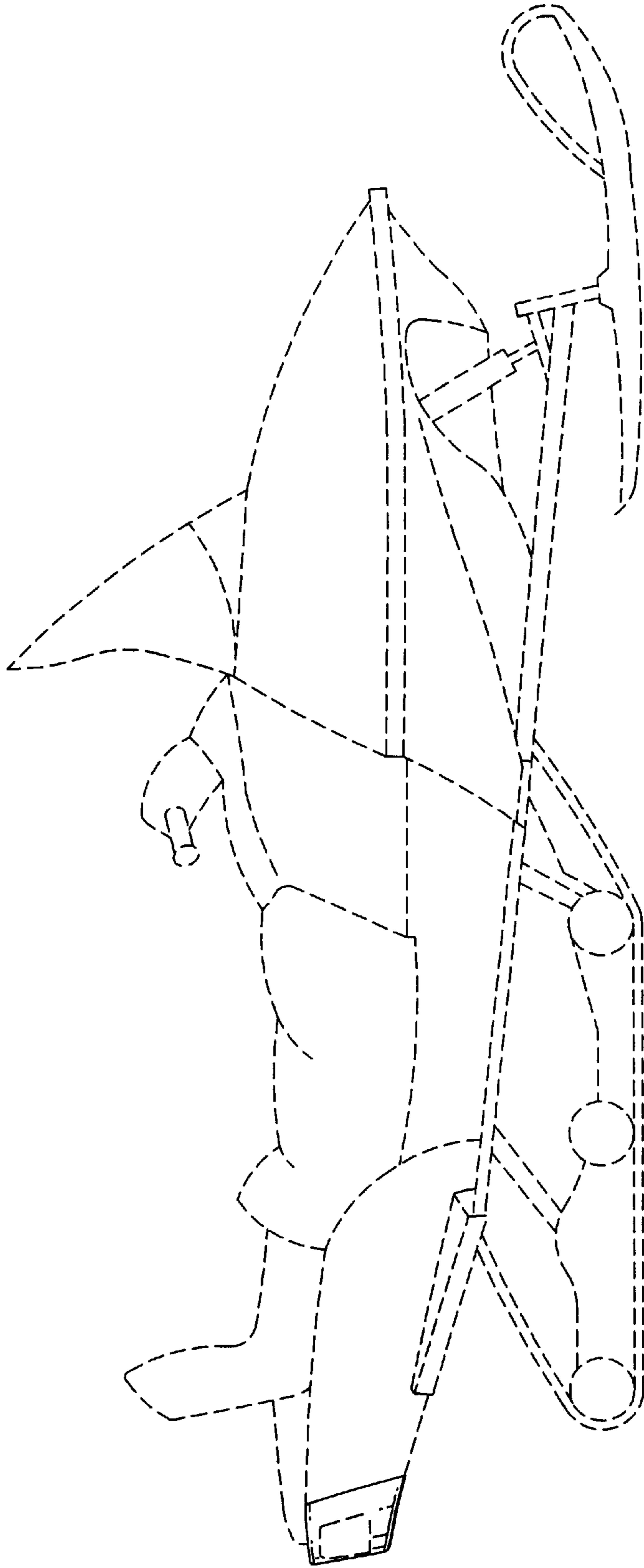


FIG. 1

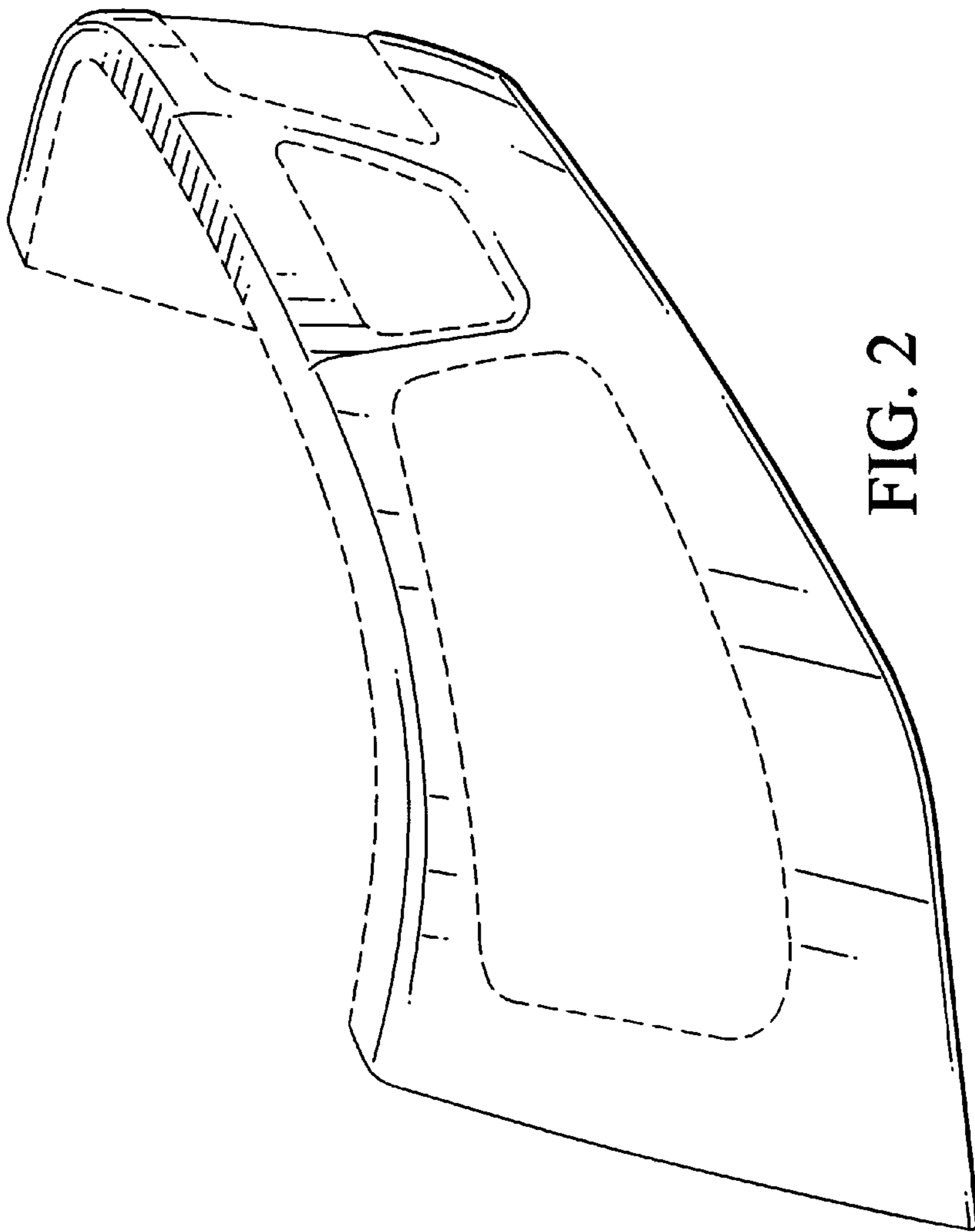


FIG. 2

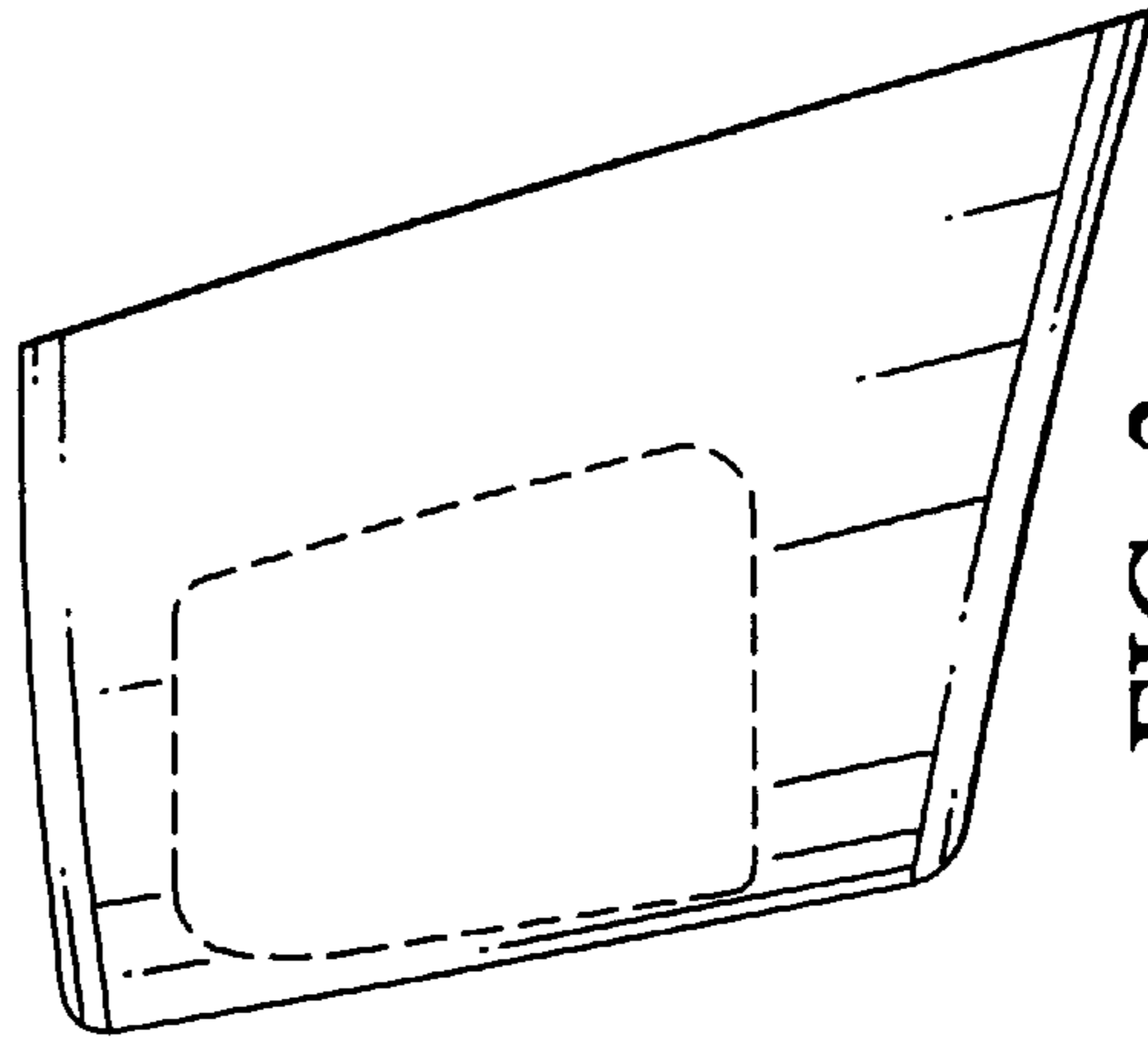


FIG. 3

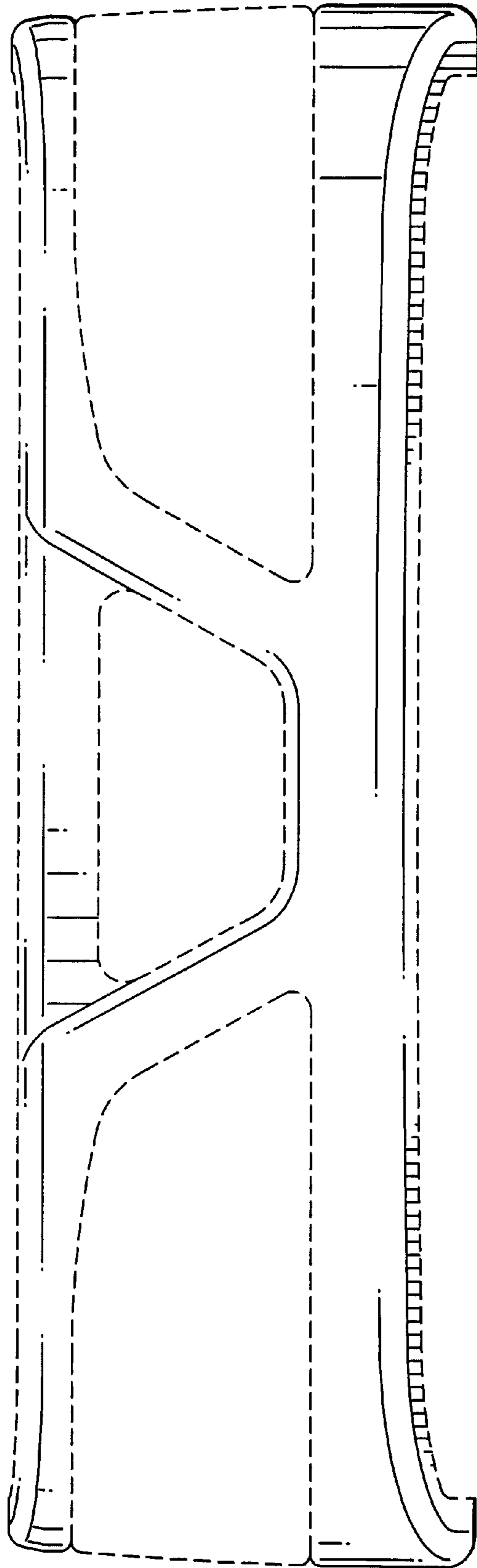


FIG. 4

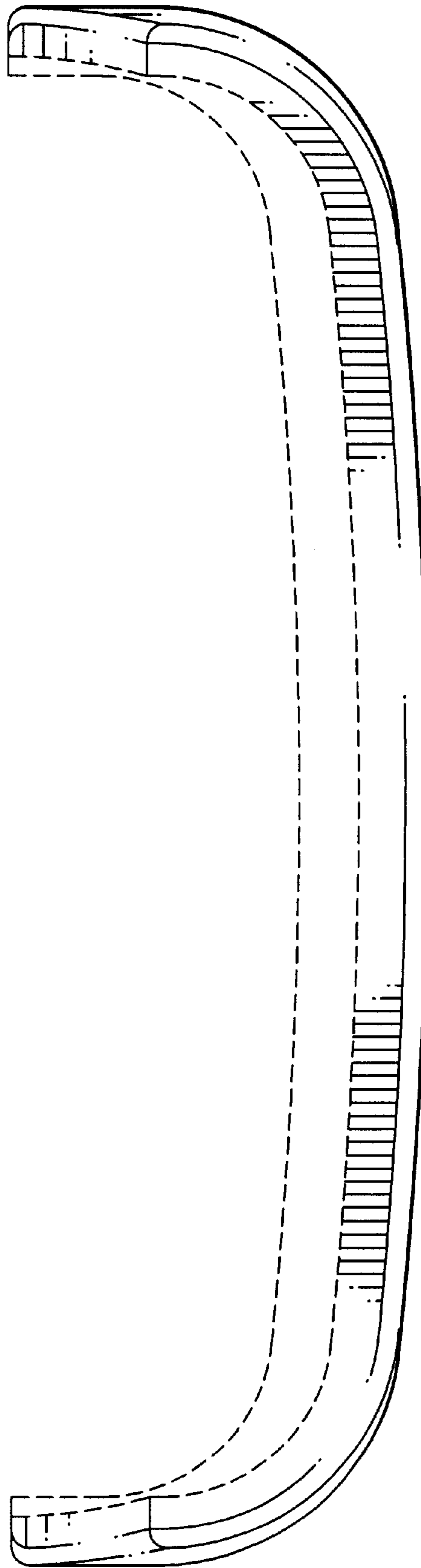


FIG. 5

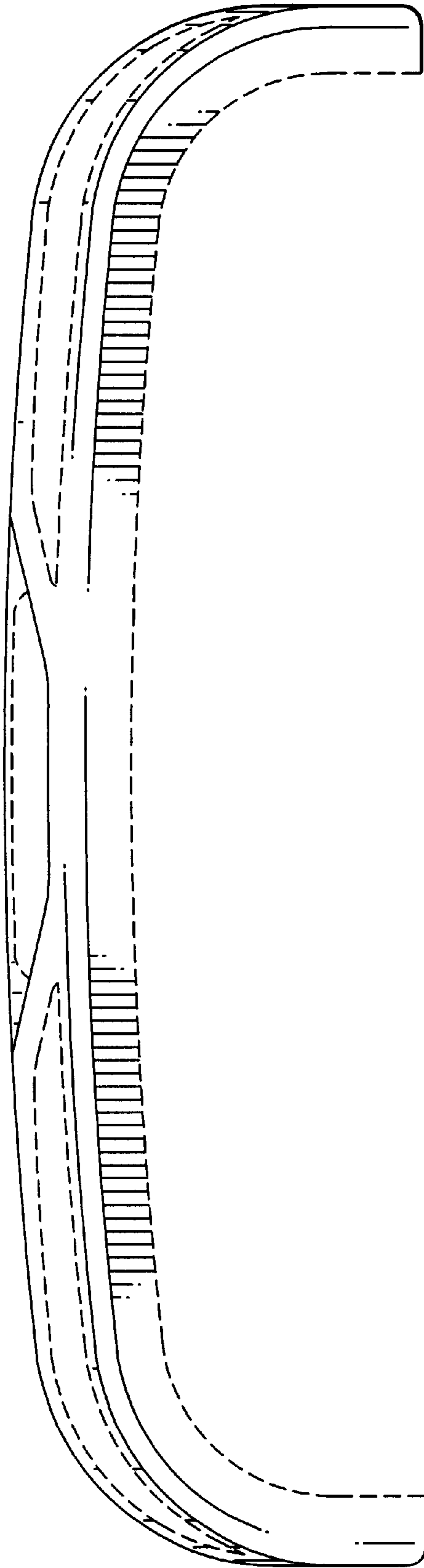


FIG. 6