



US00D489640S

(12) **United States Design Patent**
Chia et al.

(10) **Patent No.:** **US D489,640 S**

(45) **Date of Patent:** **** May 11, 2004**

(54) **JEWELRY COMPONENT**

(76) Inventors: **Meang Chia**, 412 W. 6th St., Suite 1104, Los Angeles, CA (US) 90014; **Cheo Chia**, 412 W. 6th St., Suite 1104, Los Angeles, CA (US) 90014; **Huy Kim Chia**, 412 W. 6th St., Suite 1104, Los Angeles, CA (US) 90014

(**) **Term:** **14 Years**

(21) **Appl. No.:** **29/127,623**

(22) **Filed:** **Aug. 8, 2000**

Related U.S. Application Data

(63) Continuation-in-part of application No. 29/110,327, filed on Sep. 3, 1999, now Pat. No. Des. 471,129, which is a continuation-in-part of application No. 29/098,058, filed on Dec. 21, 1998, now Pat. No. Des. 418,445.

(51) **LOC (7) Cl.** **11-01**

(52) **U.S. Cl.** **D11/93**

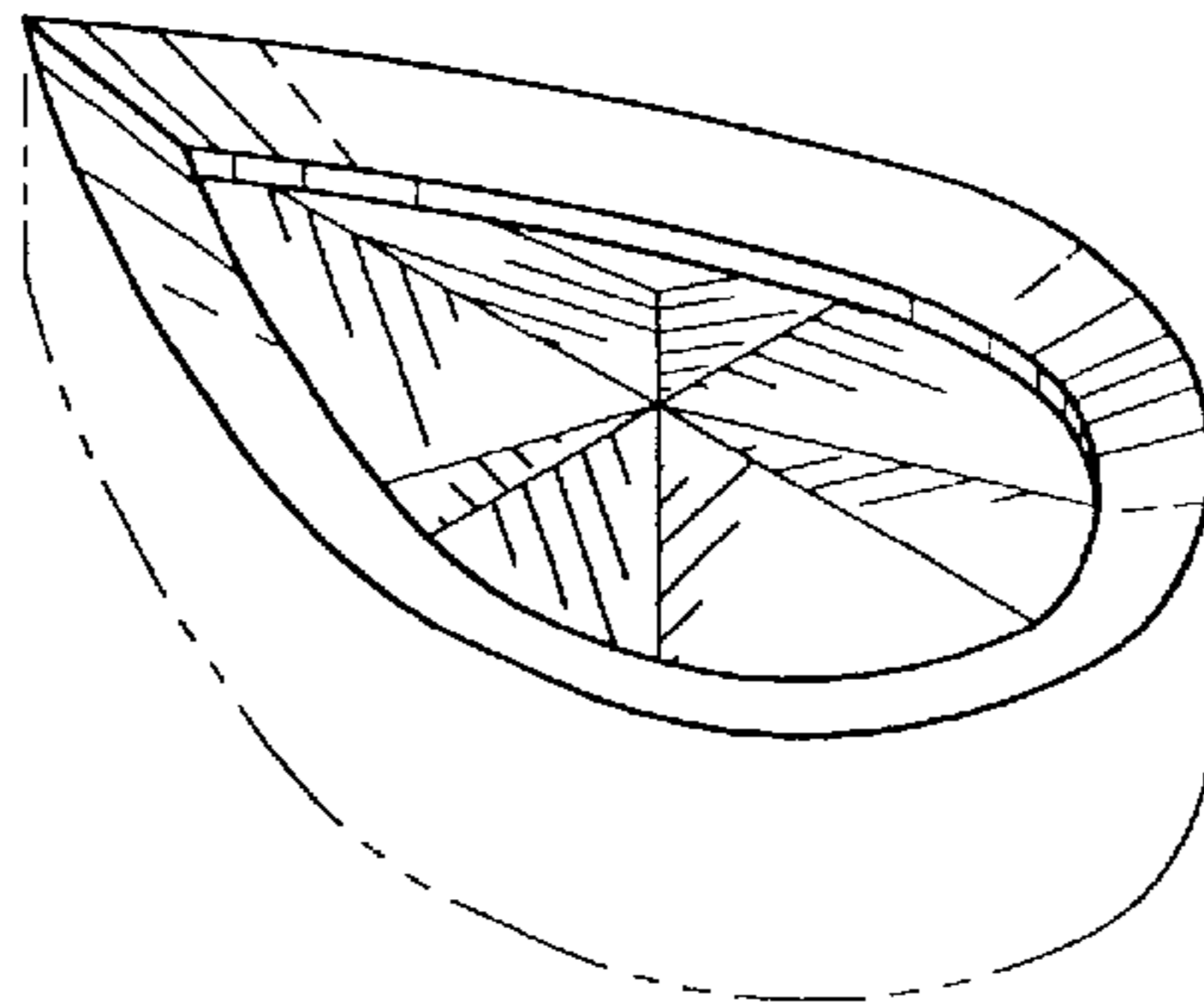
(58) **Field of Search** D11/1-26, 93-94, D11/54, 76, 48; 59/78-90, 92; 63/1.1-6, 9, 20, 11

(56) **References Cited**

U.S. PATENT DOCUMENTS

D12,579 S	11/1881	Reynolds
D14,818 S	2/1884	Merril
439,139 A	10/1890	Gaynor
569,495 A	10/1896	Gunther
572,237 A	12/1896	Adams
D32,439 S	4/1900	Gay
D32,649 S	5/1900	McCutchen et al.
795,109 A	7/1905	Dover
813,084 A	2/1906	Dover
851,078 A	4/1907	Dunn
1,001,583 A	8/1911	Fairbrother
1,024,048 A	4/1912	Abel
D42,514 S	5/1912	Meyers
D42,643 S	6/1912	Meyers
1,153,362 A	9/1915	Wacha
D48,950 S	4/1916	Rosenberger

1,189,497 A	7/1916	Schwartzman	
1,344,365 A	6/1920	Wachenheimer	
D55,597 S	7/1920	Felger	
D56,605 S	11/1920	Grasmuk	
D56,607 S	11/1920	Grasmuk	
1,410,366 A	3/1922	Buchman	
1,433,521 A	10/1922	Albanese	
1,443,654 A	1/1923	Schmidt	
1,467,468 A	9/1923	Blanchard	
1,556,465 A	10/1925	Wendel	
1,570,776 A	1/1926	Peters	
1,570,932 A	1/1926	Anderson et al.	
1,589,423 A	6/1926	Payton	
D70,779 S	8/1926	Speidel	
D76,664 S	10/1928	Chase	
D77,434 S	1/1929	Rice	
1,701,610 A	2/1929	Forstner	
1,710,660 A	4/1929	Guyot	
D84,213 S	5/1931	Speidel	
1,842,427 A	1/1932	Sammartino	
1,854,958 A	4/1932	Santosuosso	
1,892,738 A	1/1933	Schnarr	
1,981,696 A	11/1934	Harper	41/10
D110,568 S	7/1938	Garfinkel	
D117,577 S	11/1939	Sand	
D119,286 S	3/1940	Somers	
2,273,227 A	2/1942	Simmons	63/26
D131,750 S	3/1942	Hobe	
D131,847 S	3/1942	Hobe	
D143,583 S	1/1946	Feingold	D3/4
D143,588 S	1/1946	Grun	D45/4
D143,750 S	2/1946	Philippe	D45/9
D144,901 S	6/1946	Braunstein	D45/4
D145,426 S	8/1946	Braunstein	D45/4
D146,779 S	5/1947	Slater	D45/4
D151,904 S	11/1948	Katz	D45/4
D155,873 S	11/1949	Chernow	D45/16
D156,650 S	12/1949	Pearce et al.	D45/4
D156,744 S	1/1950	Kent	D42/8
D159,528 S	8/1950	Philippe	D45/19
D159,582 S	8/1950	Boucher	
D160,241 S	9/1950	Bardach	D45/16
2,526,134 A	10/1950	Henry	63/32
2,538,090 A	1/1951	Ferragamo	63/4
D165,468 S	12/1951	Katz	D45/19
2,584,207 A	2/1952	Holl	63/27
2,634,593 A	4/1953	Moretti	63/4
D176,664 S	1/1956	Katz	D45/16
2,775,093 A	12/1956	Kundert	



2,852,923	A	9/1958	Gamelsky	63/20
D184,930	S	4/1959	Gonicberg	D45/4
D186,903	S	12/1959	Hess	D45/4
3,025,820	A	3/1962	Rosenthal	113/116
D202,723	S	11/1965	Gaston	D45/4
3,483,716	A	12/1969	Stenzler	
D217,880	S	6/1970	Cowan	
3,670,524	A	6/1972	Korwin	63/18
4,154,282	A	5/1979	Kull	164/9
4,165,574	A	8/1979	Sciotti	40/21 R
D257,017	S	9/1980	Barr	D11/16
D265,639	S	8/1982	Barr	D11/17
D266,954	S	11/1982	Gordan	D26/24
4,399,910	A	8/1983	Gutentag	206/0.82
4,488,415	A	12/1984	Jenkins	
D277,466	S	2/1985	Chien	D11/41
4,551,993	A	11/1985	Nagahori	63/31
4,566,294	A	1/1986	Brzozowski	63/15
4,763,489	A	8/1988	Strong	63/4
4,781,038	A	11/1988	Branca et al.	63/26
D314,528	S	2/1991	Chia et al.	D11/93
D314,730	S	2/1991	Chia et al.	D11/93
D314,929	S	2/1991	Chia et al.	D11/6
D317,139	S	5/1991	Chia et al.	D11/93
D317,423	S	6/1991	Chia et al.	D11/93
D319,033	S	8/1991	Chia et al.	D11/93
5,056,337	A	10/1991	Nhaissi	63/26
D322,043	S	12/1991	Chia et al.	D11/93
D325,180	S	4/1992	Chia et al.	D11/93
D325,709	S	4/1992	Chia et al.	D11/93
D325,710	S	4/1992	Chia et al.	D11/93
D325,711	S	4/1992	Chia et al.	D11/93
D325,886	S	5/1992	Chia et al.	D11/93
D329,026	S	9/1992	Chia et al.	D11/93
D329,206	S	9/1992	Chia et al.	D11/93
D329,401	S	9/1992	Chia et al.	D11/93
D331,726	S	12/1992	Chia et al.	D11/93
D335,639	S	5/1993	Chia et al.	D11/93
D336,057	S	6/1993	Chia et al.	D11/93
D336,059	S	6/1993	Chia et al.	D11/93
D336,060	S	6/1993	Chia et al.	D11/93
D337,069	S	7/1993	Chia et al.	D11/93
D337,070	S	7/1993	Chia et al.	D11/93
D337,283	S	7/1993	Keshishian	D11/93
D337,546	S	7/1993	Keshishian	D11/93
D337,547	S	7/1993	Keshishian	D11/93
D338,852	S	8/1993	Keshishian	D11/93
5,355,698	A	10/1994	Edmark	63/29.1
5,365,754	A	11/1994	Nalbandian	63/26
D379,074	S	5/1997	Udko	D11/91
D388,016	S	12/1997	Kejajian	D11/91
5,694,791	A	12/1997	Esposito	63/3
5,806,345	A	9/1998	Bonchek	
D406,247	S	3/1999	Chia et al.	D11/93
5,992,177	A	11/1999	Beard	
D418,445	S	1/2000	Chia et al.	D11/93
D418,446	S	1/2000	Chia et al.	D11/93
D423,981	S	5/2000	Chia et al.	D11/93
6,116,054	A	9/2000	Czupor	

FOREIGN PATENT DOCUMENTS

CH	238894	8/1945	
EP	0 063 751 A1	11/1982 A44C/3/00
FR	608150	7/1926	
FR	709603	8/1931	
FR	1 319 354	5/1963	
GB	1 077 460	7/1967	
GB	1 200 257	7/1970	
GB	2 070 344 A	9/1981	
GB	2 077 441 A	12/1981	
WO	00/38551	7/2000 A44C/17/02

OTHER PUBLICATIONS

Rio Grande Albuquerque 1991–1992 Findings and Chains Catalog. Item M on p. 290.*

Rio Grande Albuquerque 1991–1992 Findings and Chains Catalog. Item N on p. 290.*

“Charms” catalog, p. 136, Item #136–20, by Americas GOLD, 650 South Hill St., Los Angeles, CA 90014.

“Liberty Collections” catalog, pp. 4 and 21, by Liberty I. Exchange, 333 Washington St., #203–1, Boston, MA 02108.

“Diamond Flower” jewelry by S & R Designs, Inc., Marlton NJ.

Items #P10529, #84622, National Jeweler, May 16, 1997.

Janet Alix necklace, Jewelers’ Circular Keystone, May 1997.

Catalog Item #4D, Skalet Gold, 3600 N. Talman Ave., Chicago, IL 60618.

Caroline Ballou Collection, June Las Vegas Show, K25–K27, and Barnett Robinson, Inc., June Las Vegas Show, Galleria #10.

Item N362, P.Q.C. Jewelry, National Jeweler, Jun. 1, 1998, p. 142.

“Love Tears” collection, by Studs, Inc., 42 West 48th Street, New York, NY 10036.

Slide Pendent, by Superior Diamond Cutters Inc., 589 Fifth Ave., New York, NY 10017.

Uni–Creation Inc., Emby International Inc. collection, 589 Fifth Ave., New York, NY 10017.

A Promotional Supplement to JCK, May 1997, pp. 178–179.

Item SS424, Corona Jewelry Company, 16 Ripley Ave., Toronto, Ontario, M6S 3N9, Canada.

“Bezel–set Jewelry,” California Gold Center, 606 South Hill Street, Los Angeles, CA 90014.

“Partners” fashion jewelry, Cache fashion watches, Mervyn’s California catalog flyer, 1998, p. 11.

Robinson’s May, Earrings, Item No. 290131409, Purchased Apr. 18, 1999.

A&A Jewelry Tools & (Findings Catalog, p. G92.

The Multi–Color Gold Jewelry Book, Oro America, p. 1, Earring Items; ETR.014; ETR.022; ETLB.001.

Crafford Precision Products Co. Catalog “Laser Spot–Welding Systems,” One Industrial Court, Riverside, RI 02915.

Gervais, J. “A Little Light Welding,” *AJM*, May 1998.

Fancy Catalog, Item Nos. 11111, 11112, 11114, p. 111.

Jaha Jewelry, Inc., Item Nos. J2–1, J3–15, J6–9, J6–13, J6–16, J10–1, J10–2, J13–19 (640 S. Hill St., #748, Los Angeles, CA 90014).

All Karats International; Edizioni, Primavera–Estate/Spring–Summer, Sixth Edition; “Diamond Necklace”; 2 pages including cover (1998).

Variety Gem Co., Inc.; *JCK Catalog* 05–97; Items N5526, N5520A, N5520B; one page (May 1997).

Wards, Gold Hoop (Earring) with Diamond Cut Ovals, Item #459312000; 4 pages.

* cited by examiner

Primary Examiner—Ralf Seifert
(74) Attorney, Agent, or Firm—Ladas & Parry

(57)

CLAIM

The ornamental design for a jewelry component, as shown and described.

DESCRIPTION

FIG. 1 is a perspective view of a first embodiment of a jewelry component showing our new design;

FIG. 2 is a top plan view of the first embodiment;

FIG. 3 is an enlarged partial cross sectional view taken along the line 3—3 in FIG. 2 to show only the feature of the sloping top;

FIG. 4 is a left side elevational view of the first, second, third, fourth, and fifth embodiments, the right elevational view being a mirror image;

FIG. 5 is a front elevational view of the first, second, third, fourth, and fifth embodiments;

FIG. 6 is a rear elevational view of the first, second, third, fourth, and fifth embodiments;

FIG. 7 is a perspective view of a second embodiment of a jewelry component showing our new design;

FIG. 8 is a top plan view of the second embodiment;

FIG. 9 is an enlarged partial cross sectional view taken along the line 9—9 in FIGS. 8, 11, 13, and 15 to show only the feature of the sloping top;

FIG. 10 is a perspective view of a third embodiment of a jewelry component showing our new design;

FIG. 11 is a top plan view of the third embodiment;

FIG. 12 is a perspective view of a fourth embodiment of a jewelry component showing our new design;

FIG. 13 is a top plan view of the fourth embodiment;

FIG. 14 is a perspective view of a fifth embodiment of a jewelry component showing our new design;

FIG. 15 is a top plan view of the fifth embodiment;

FIG. 16 is a perspective view of a sixth embodiment of a jewelry component showing our new design;

FIG. 17 is a top plan view of the sixth embodiment;

FIG. 18 is a left side elevational view of the sixth, seventh, eighth, ninth, and tenth embodiments, the right elevational view being a mirror image;

FIG. 19 is a front elevational view of the sixth, seventh, eighth, ninth and tenth embodiments;

FIG. 20 is a rear elevational view of the sixth, seventh, eighth, ninth and tenth embodiments;

FIG. 21 is a perspective view of a seventh embodiment of a jewelry component showing our new design;

FIG. 22 is a top plan view of the seventh embodiment;

FIG. 23 is a perspective view of an eighth embodiment of a jewelry component showing our new design;

FIG. 24 is a top plan view of the eighth embodiment;

FIG. 25 is a perspective view of a ninth embodiment of a jewelry component showing our new design;

FIG. 26 is a top plan view of the ninth embodiment;

FIG. 27 is a perspective view of a tenth embodiment of a jewelry component showing our new design; and,

FIG. 28 is a top plan view of the tenth embodiment.

1 Claim, 3 Drawing Sheets

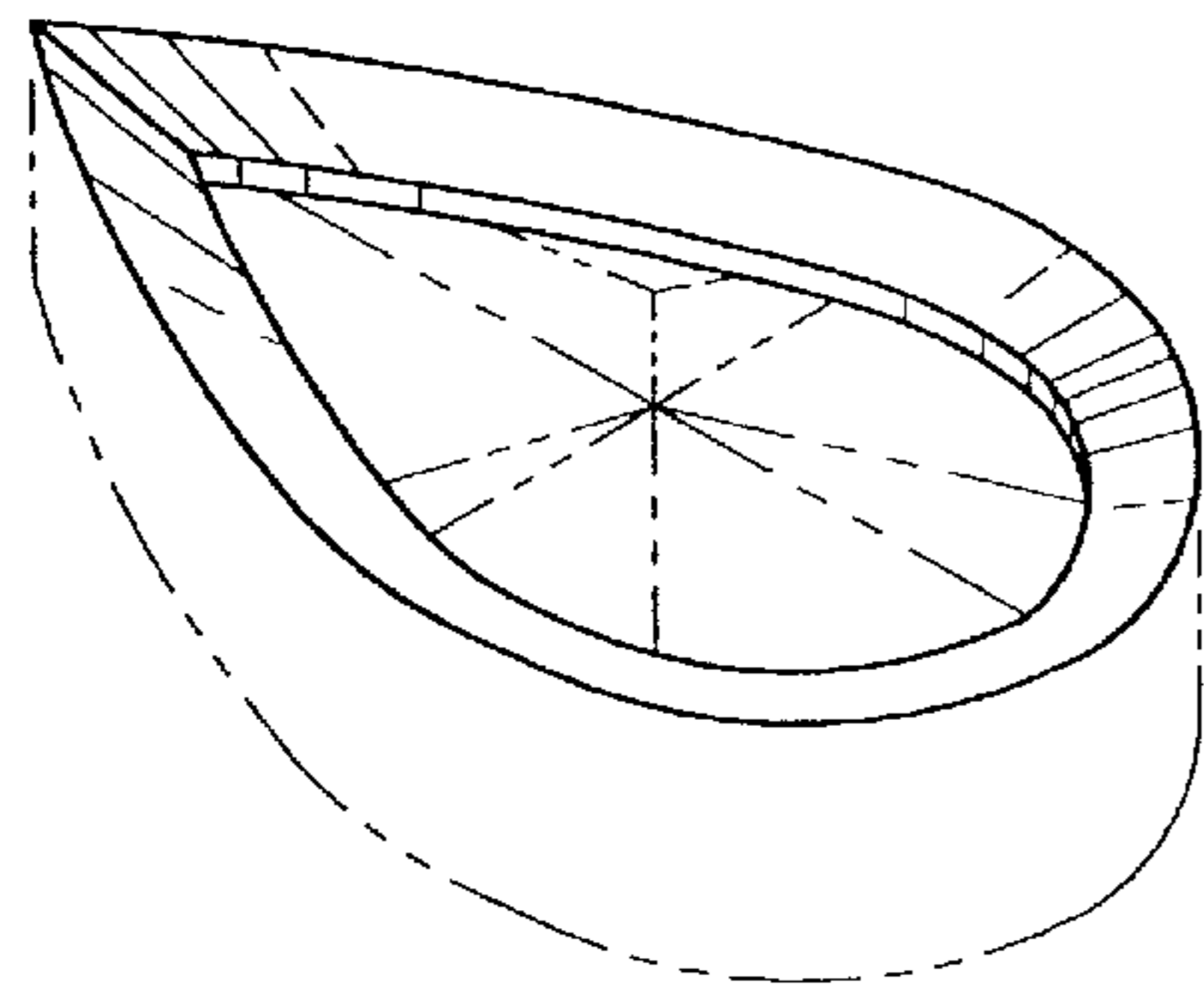


FIG. 1

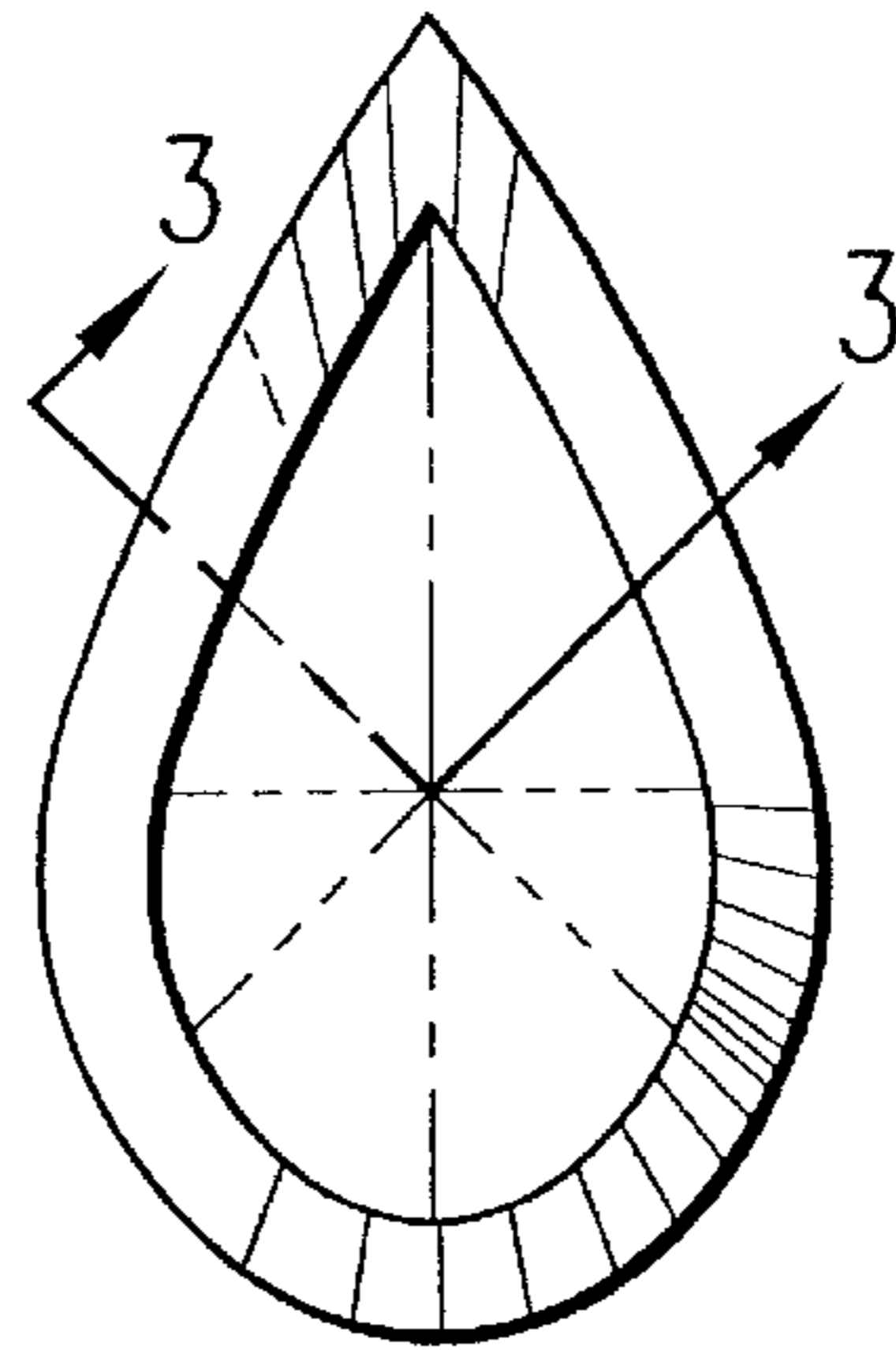


FIG. 2

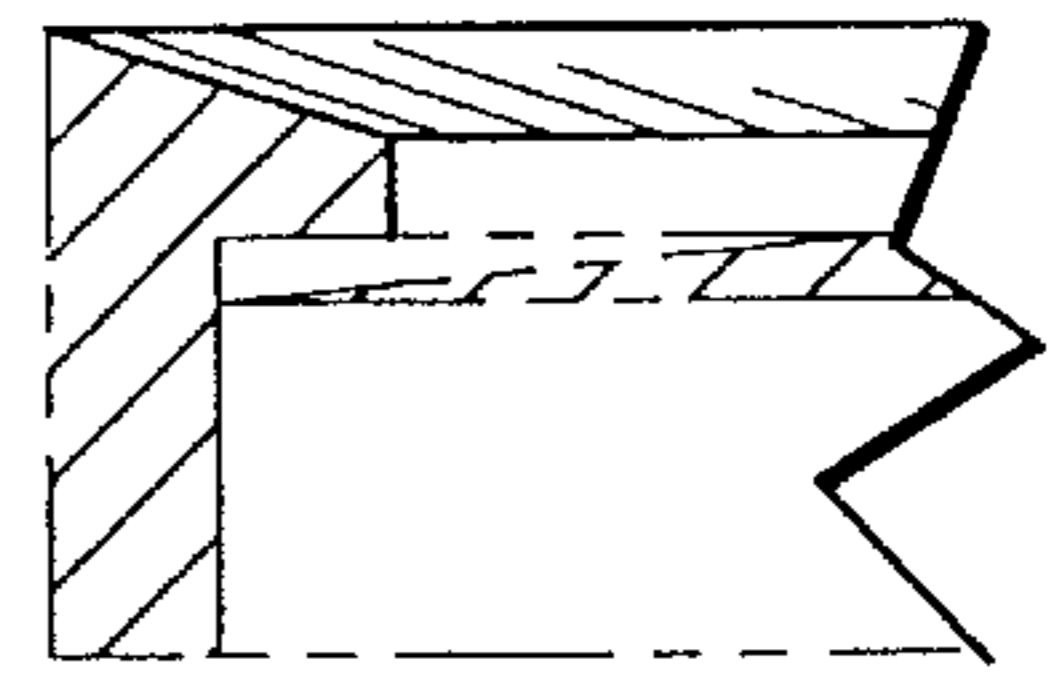


FIG. 3

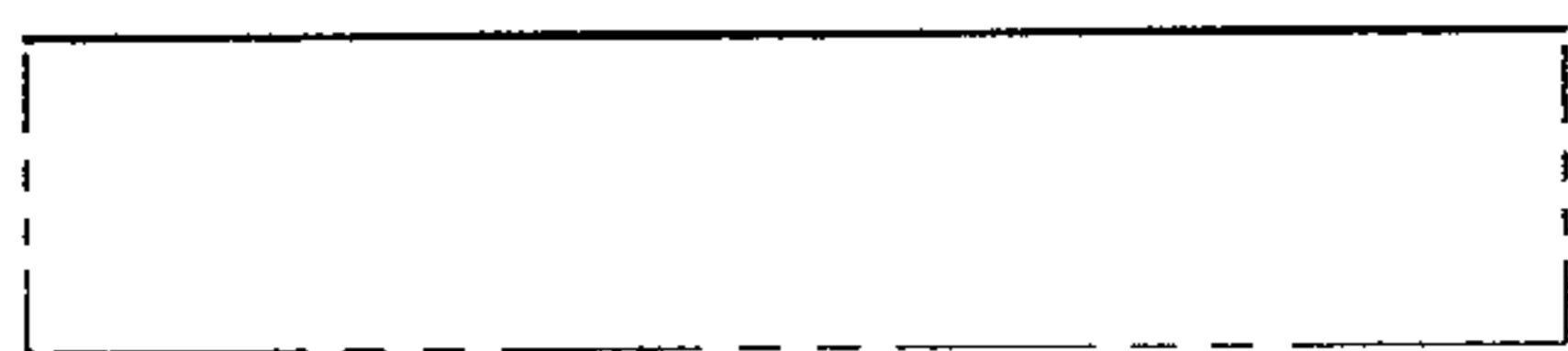


FIG. 4



FIG. 5

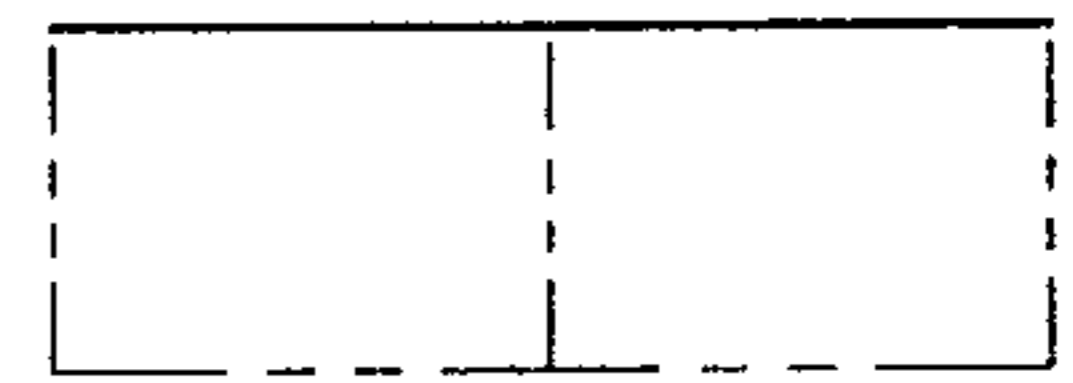


FIG. 6

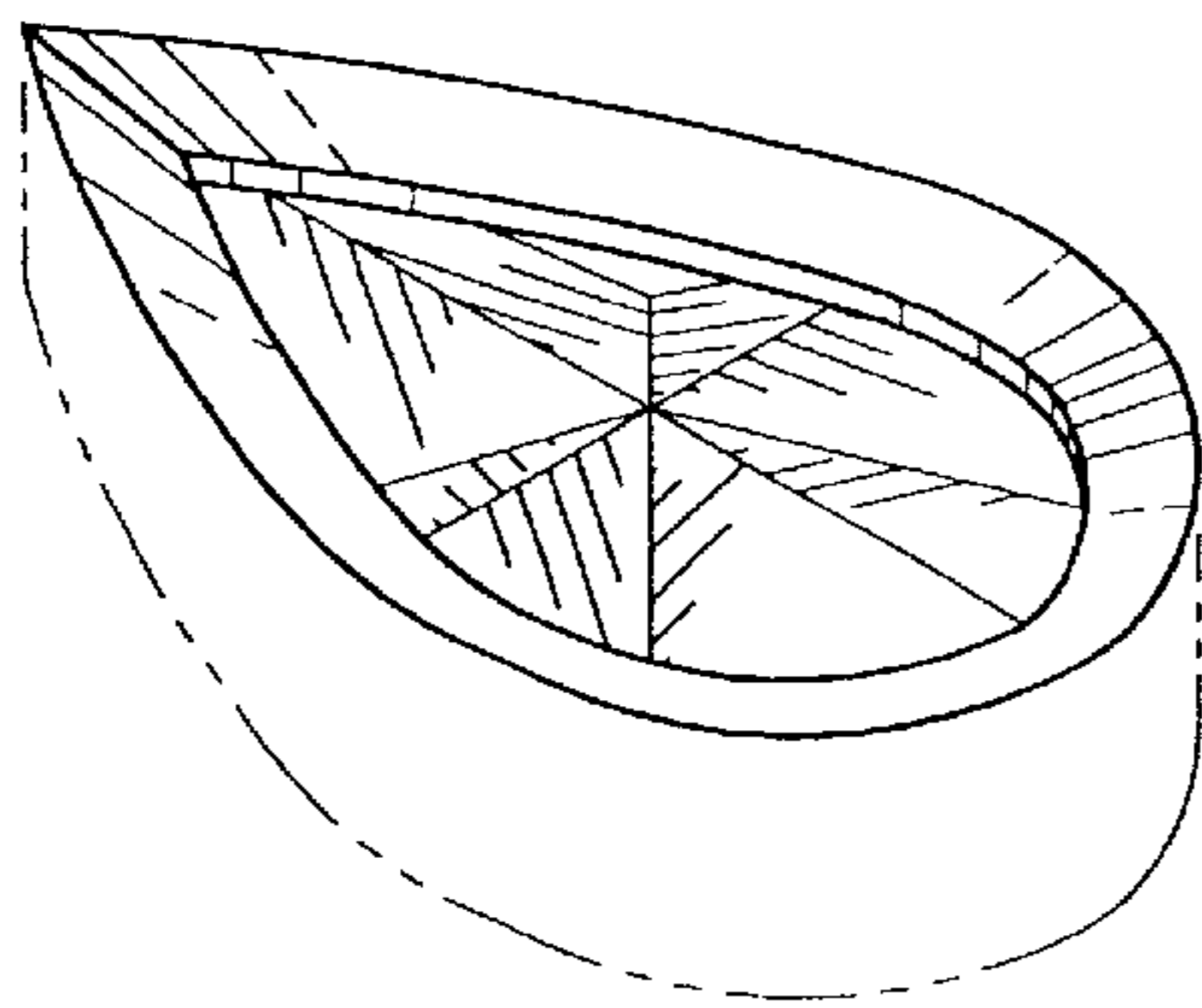


FIG. 7

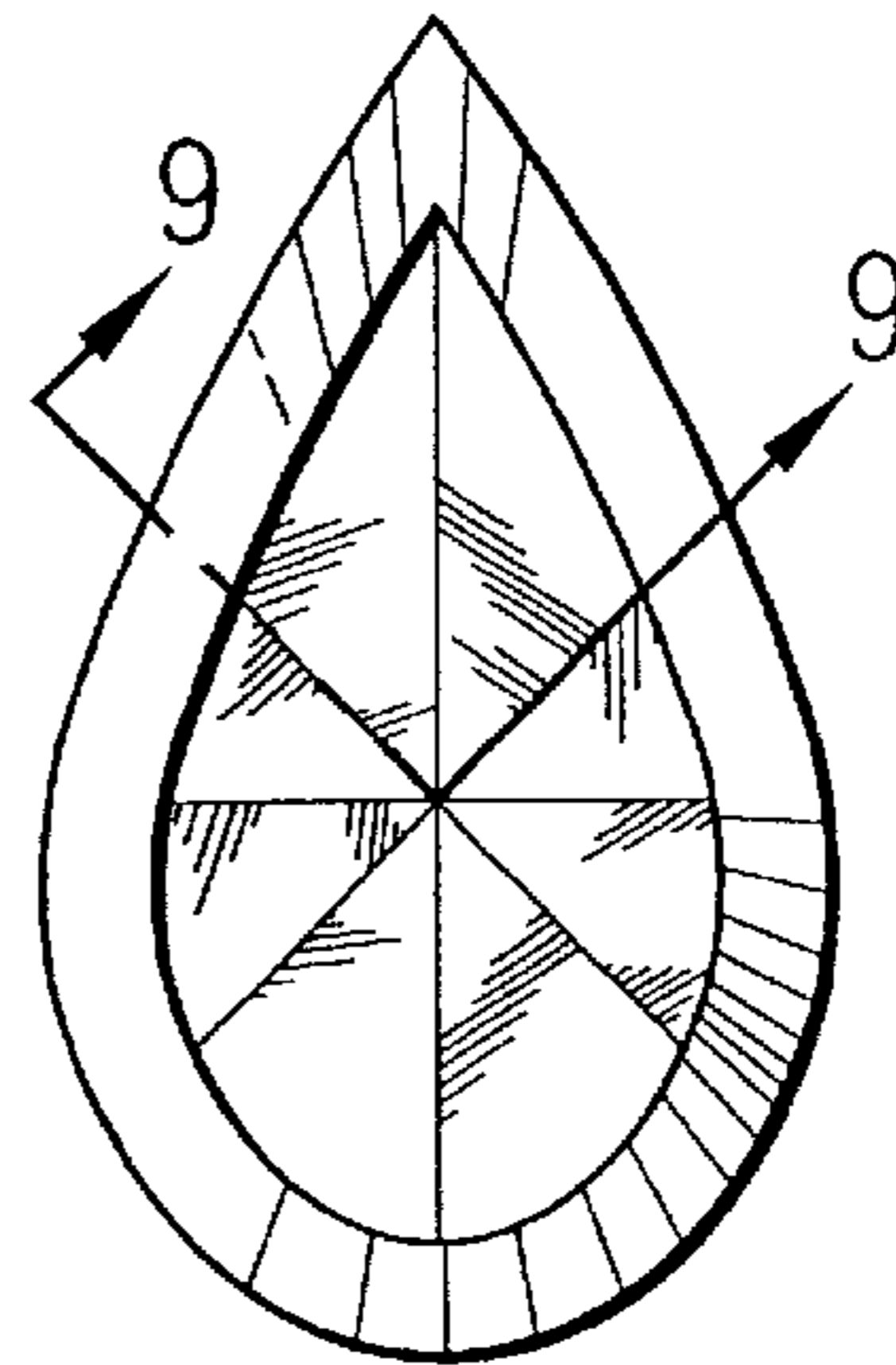


FIG. 8

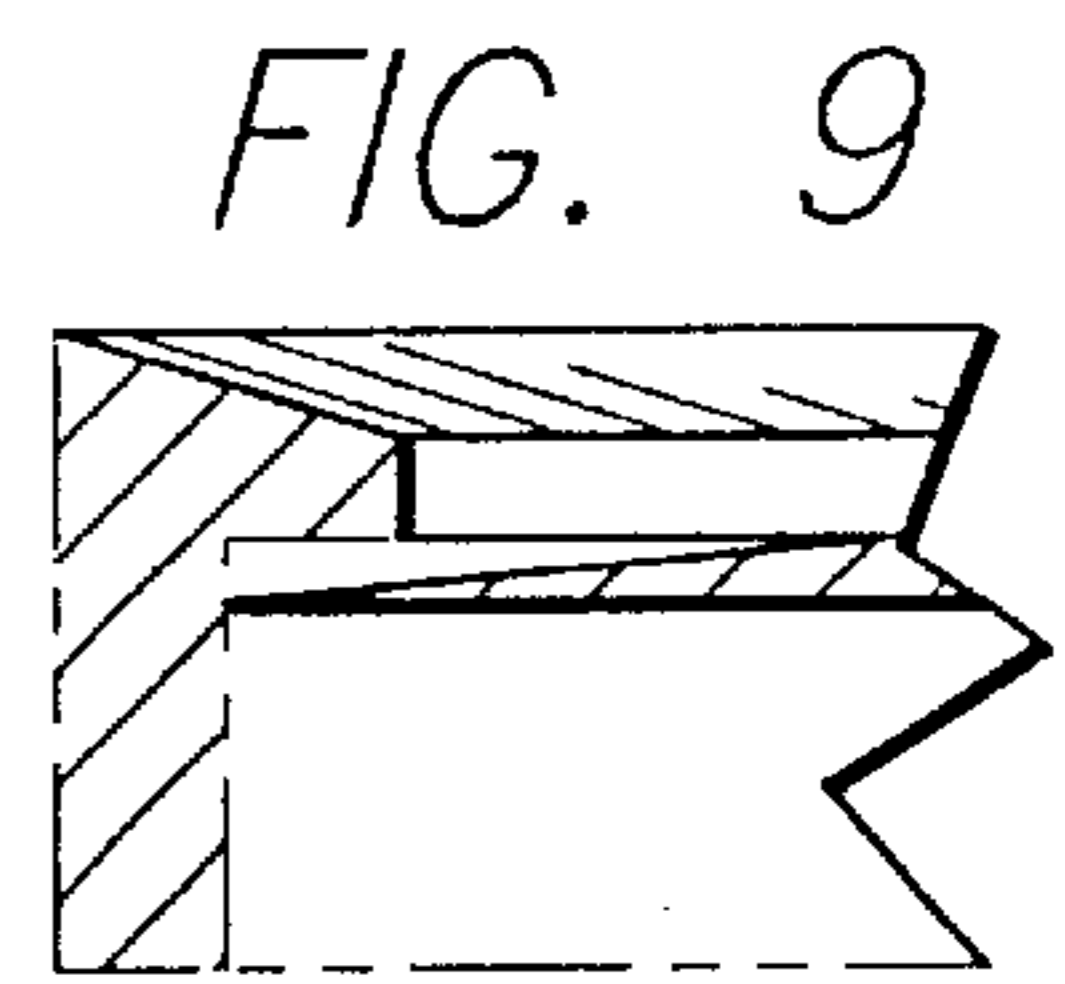


FIG. 9

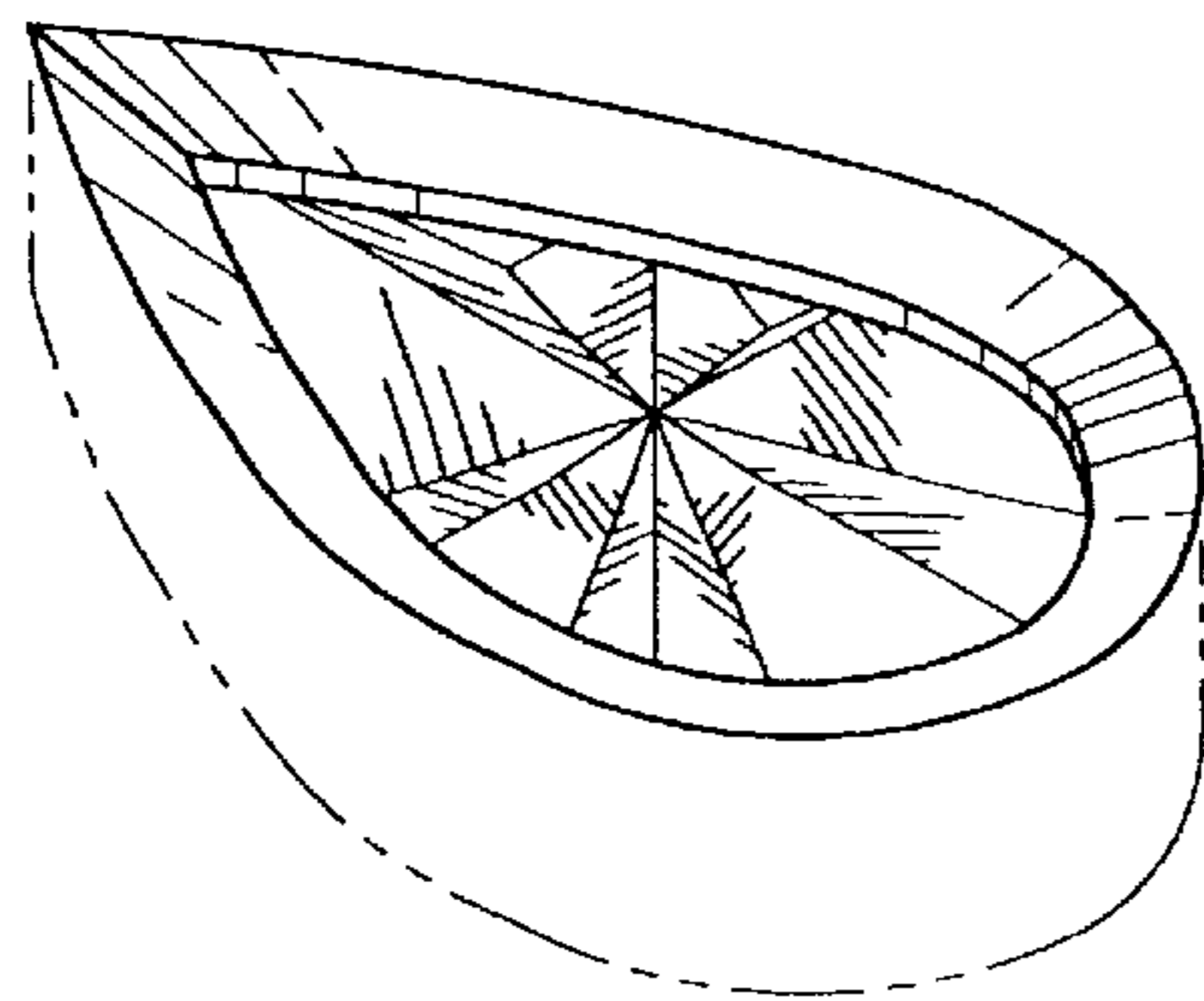


FIG. 10

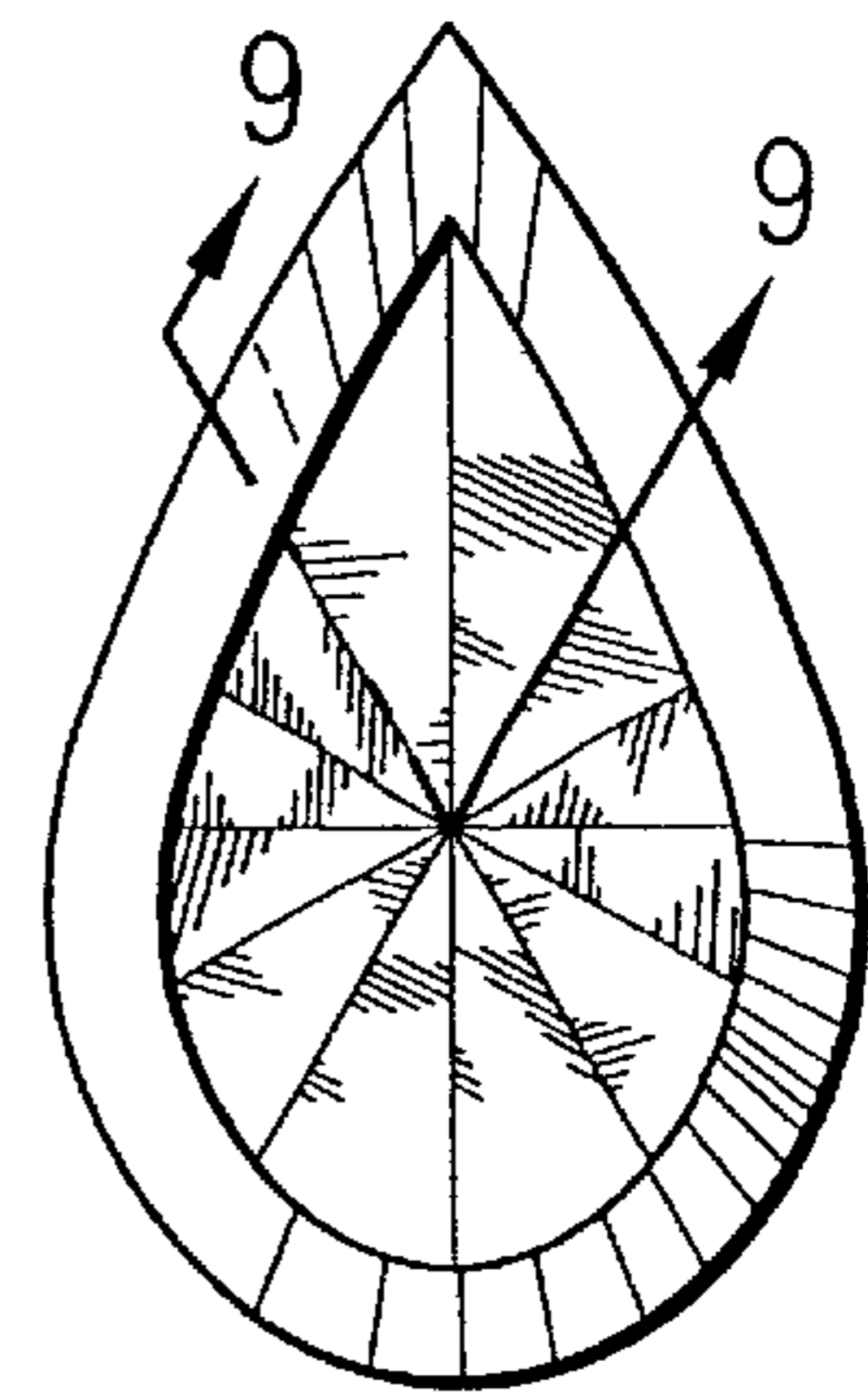


FIG. 11

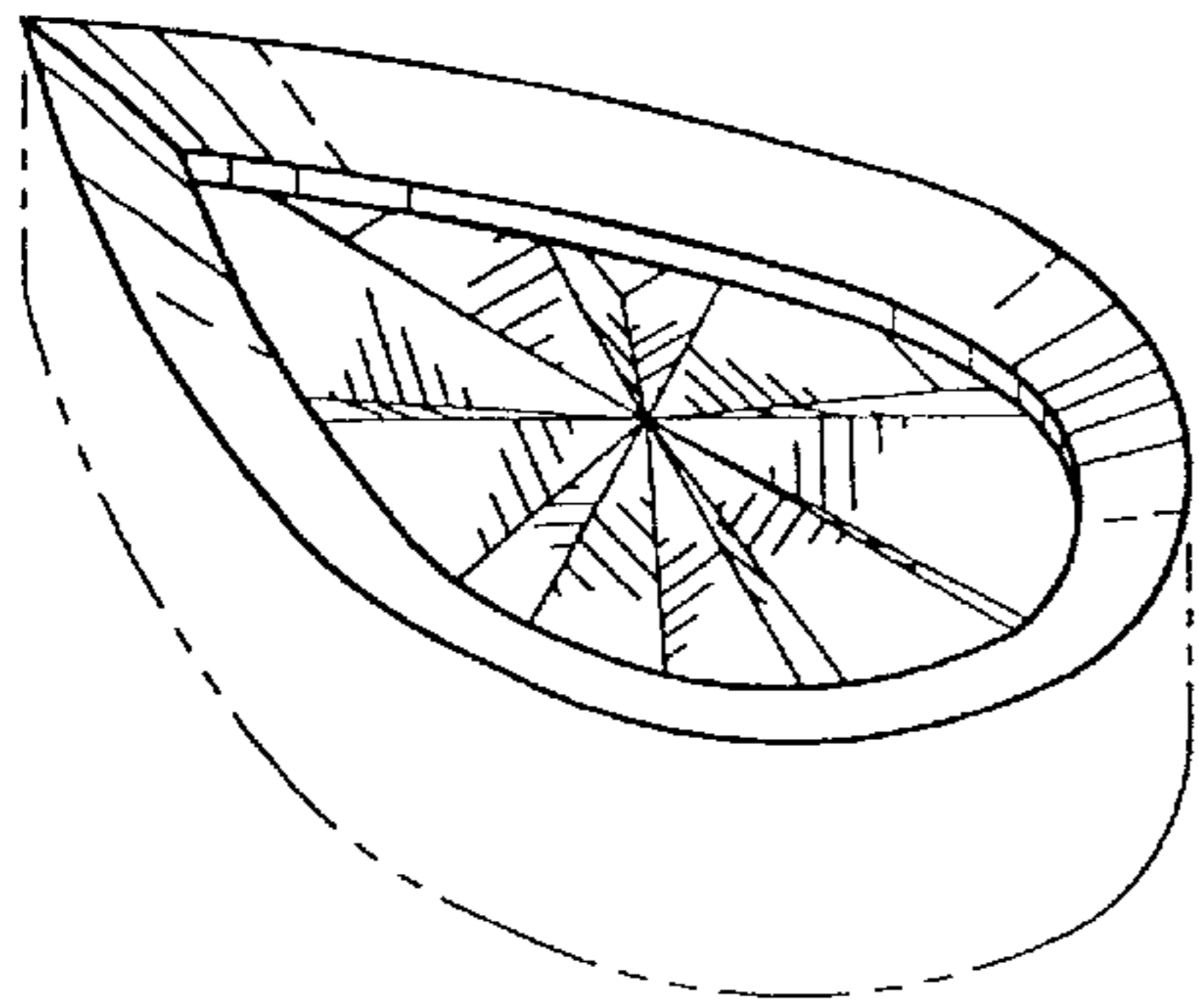


FIG. 12

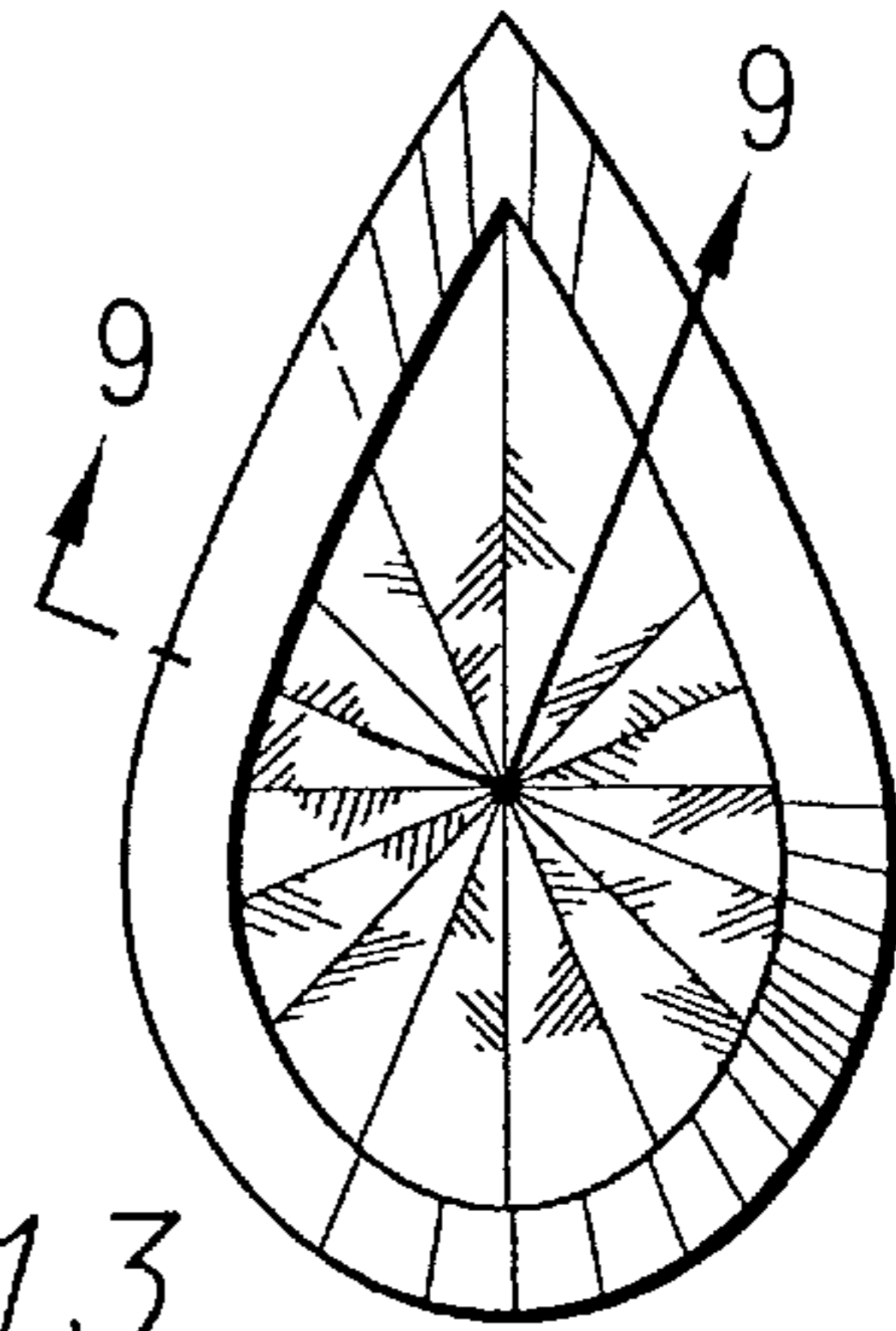


FIG. 13

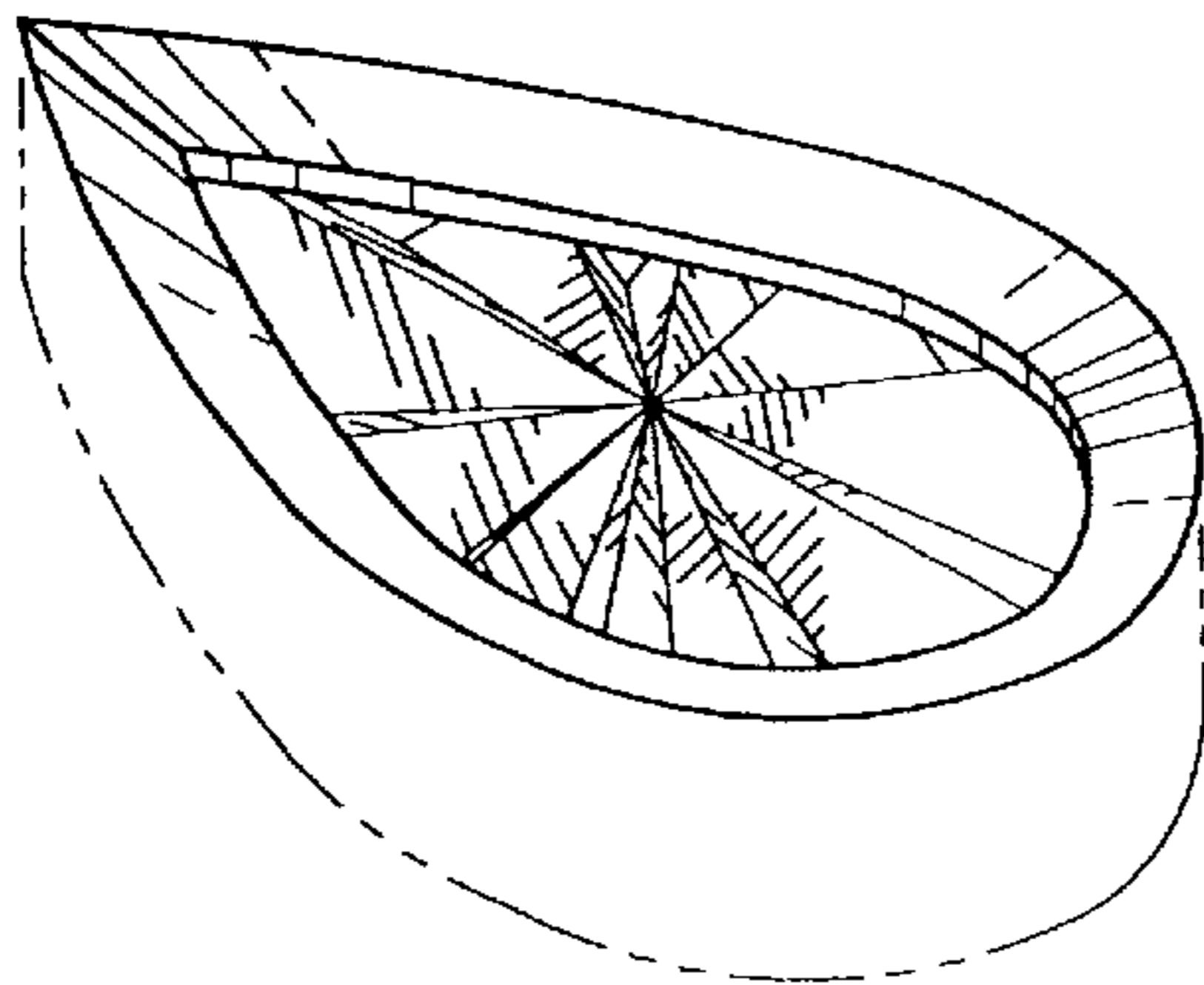


FIG. 14

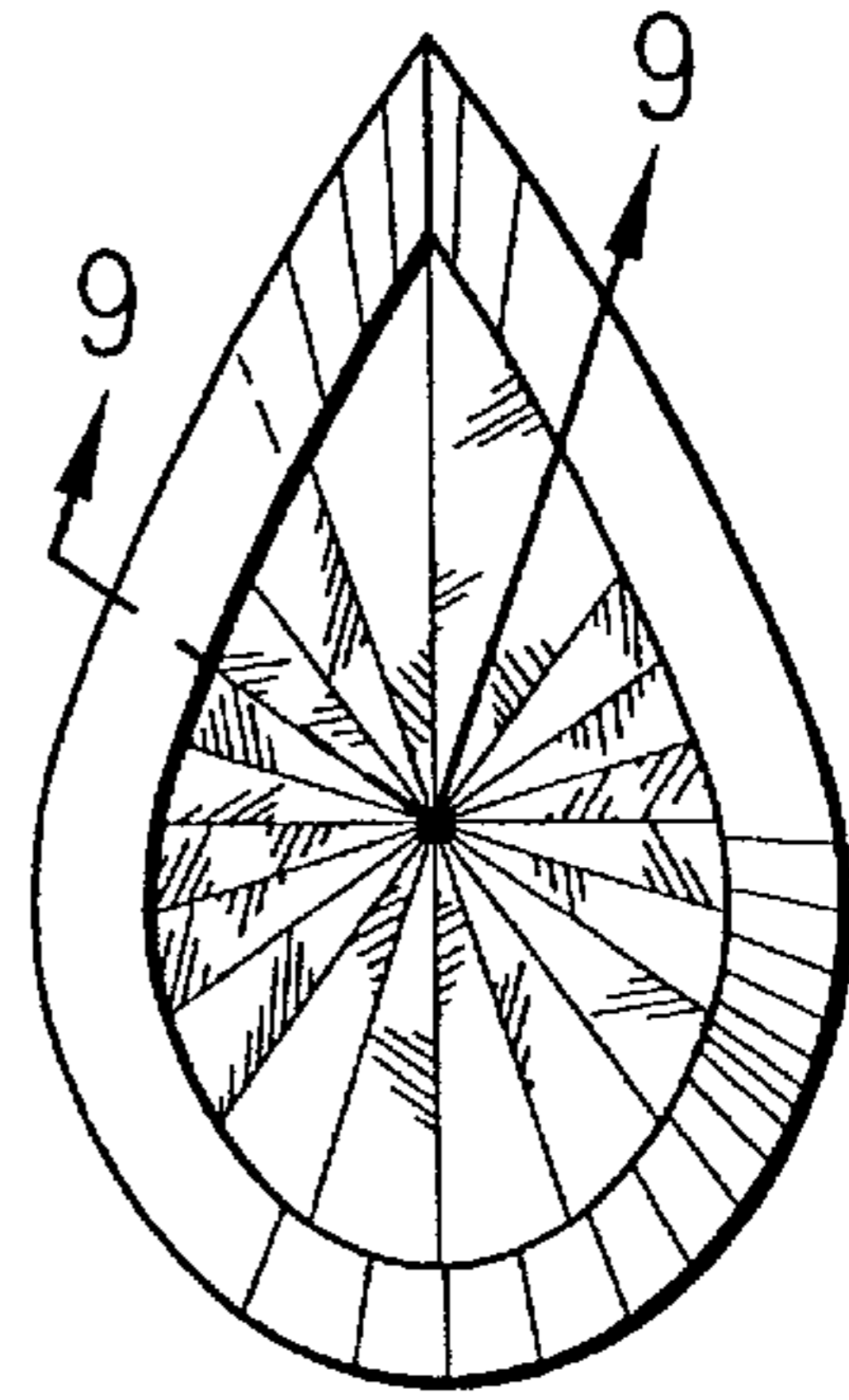


FIG. 15

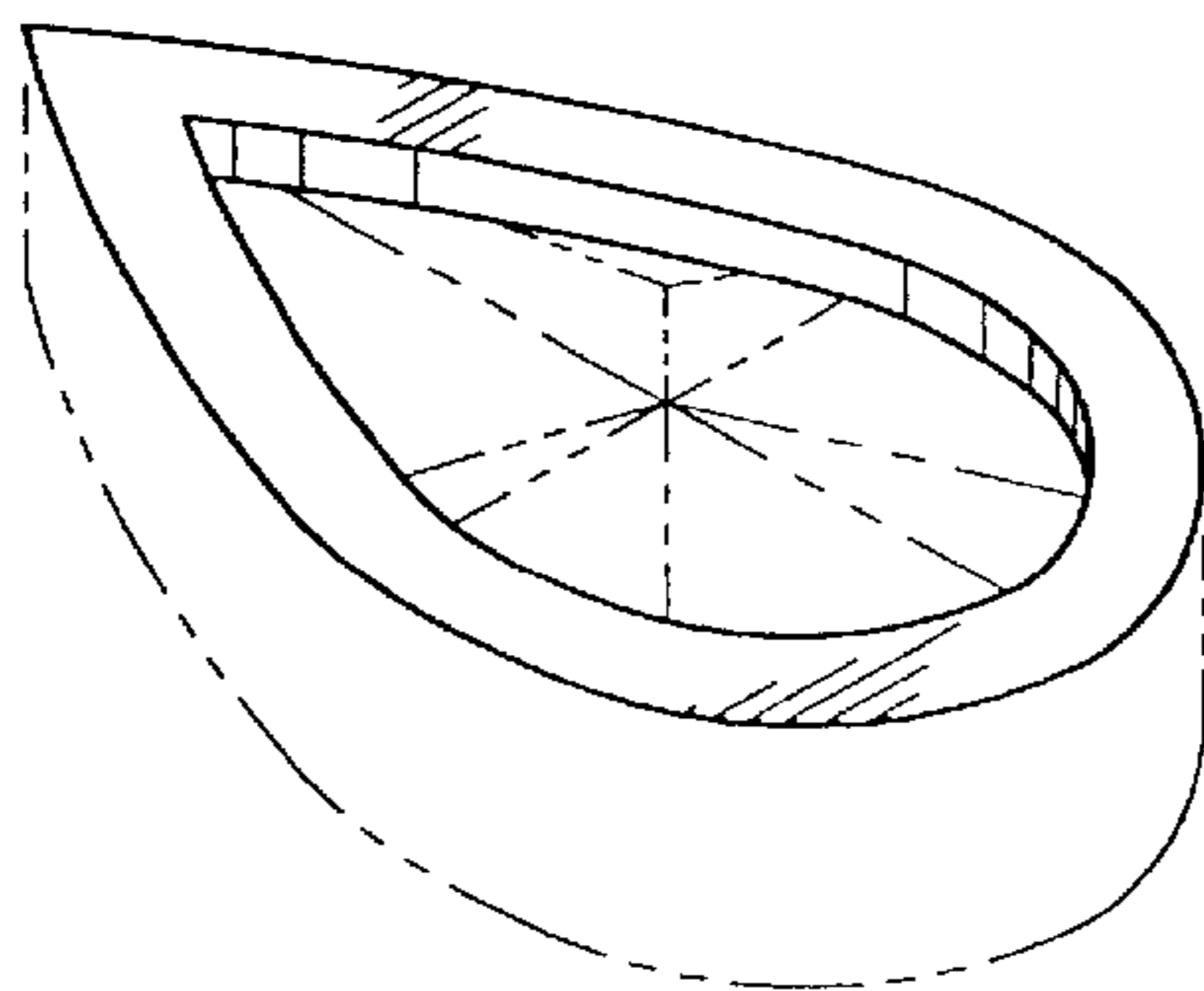


FIG. 16

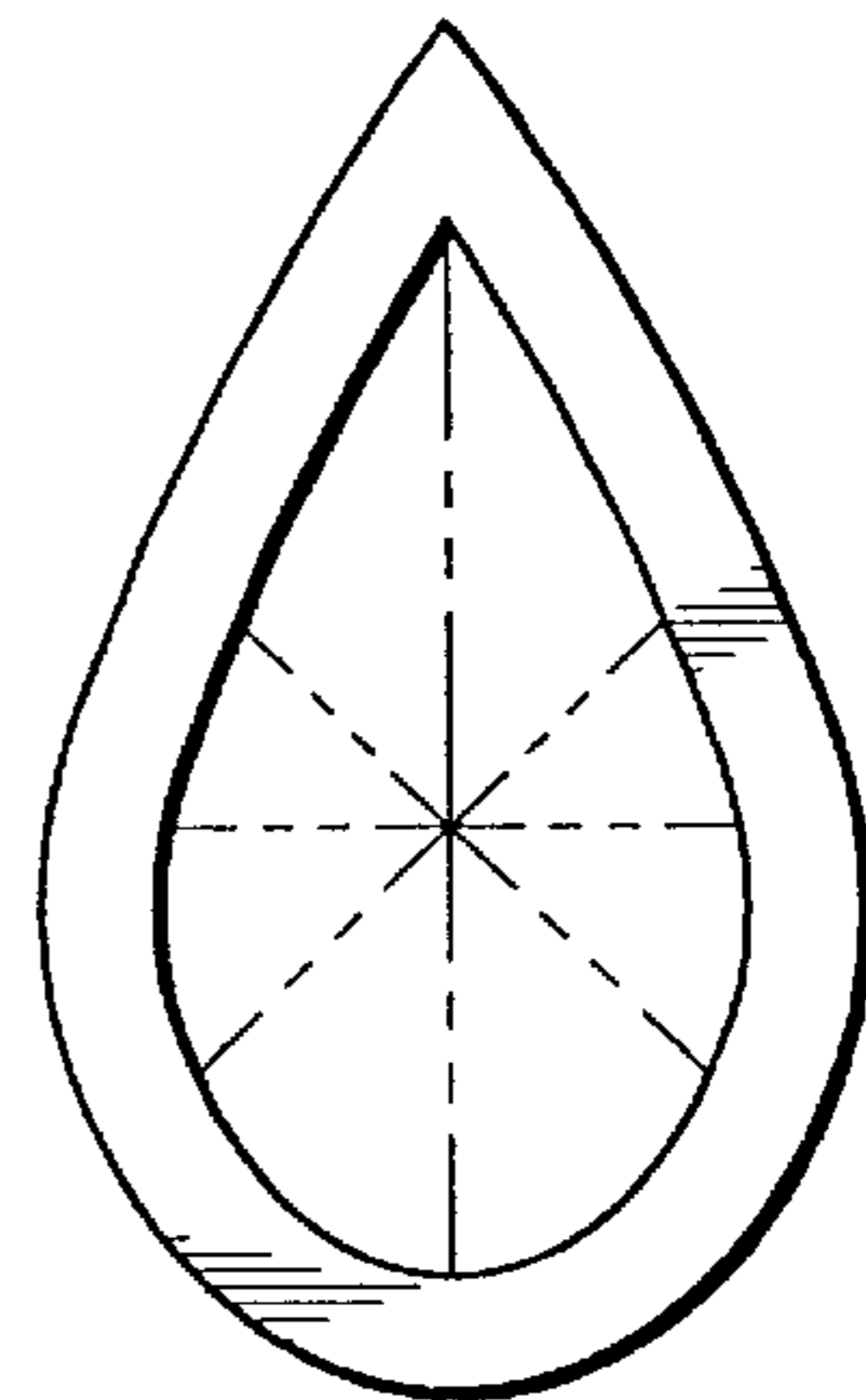


FIG. 17



FIG. 18

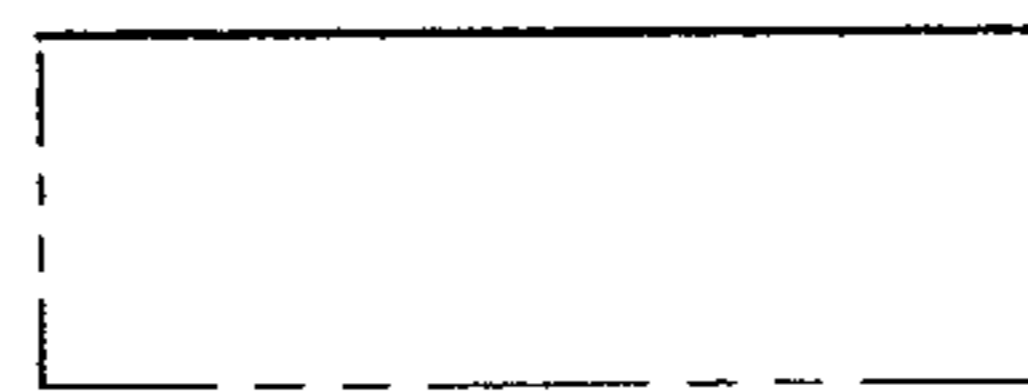


FIG. 19

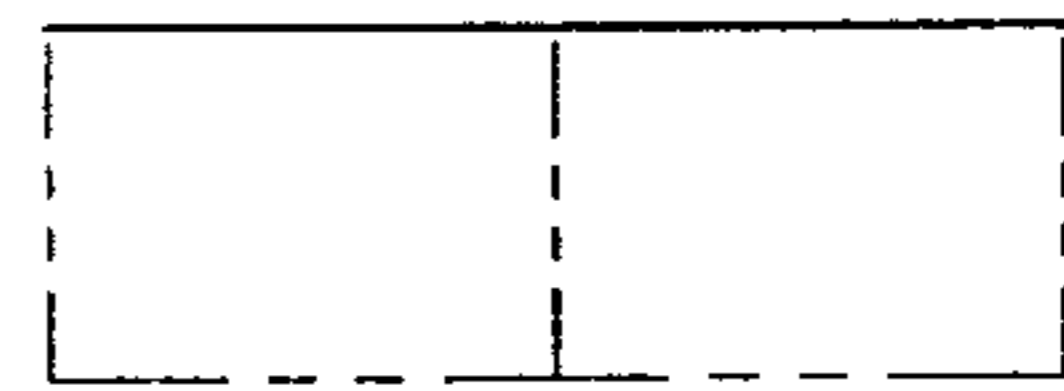


FIG. 20

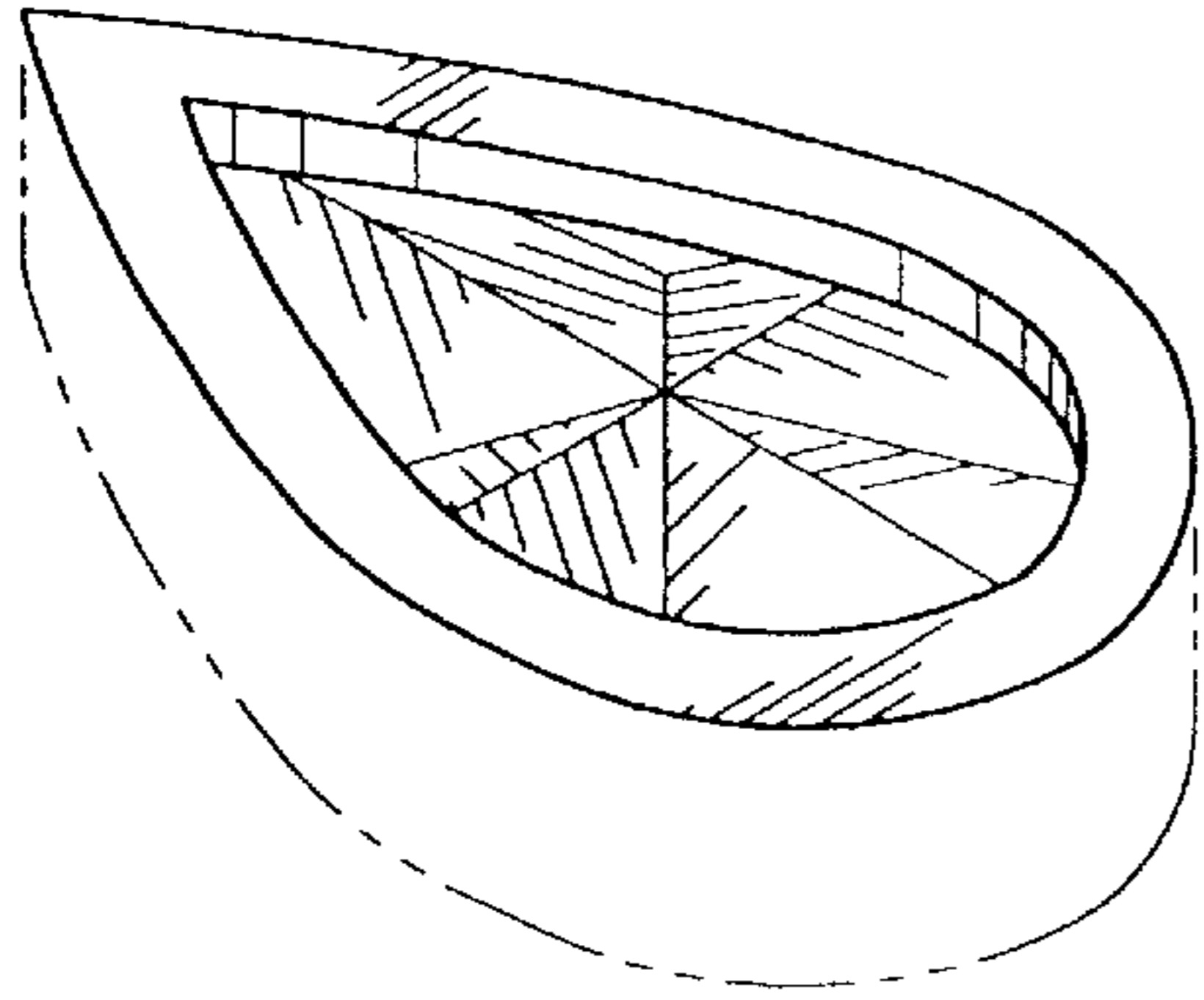


FIG. 21

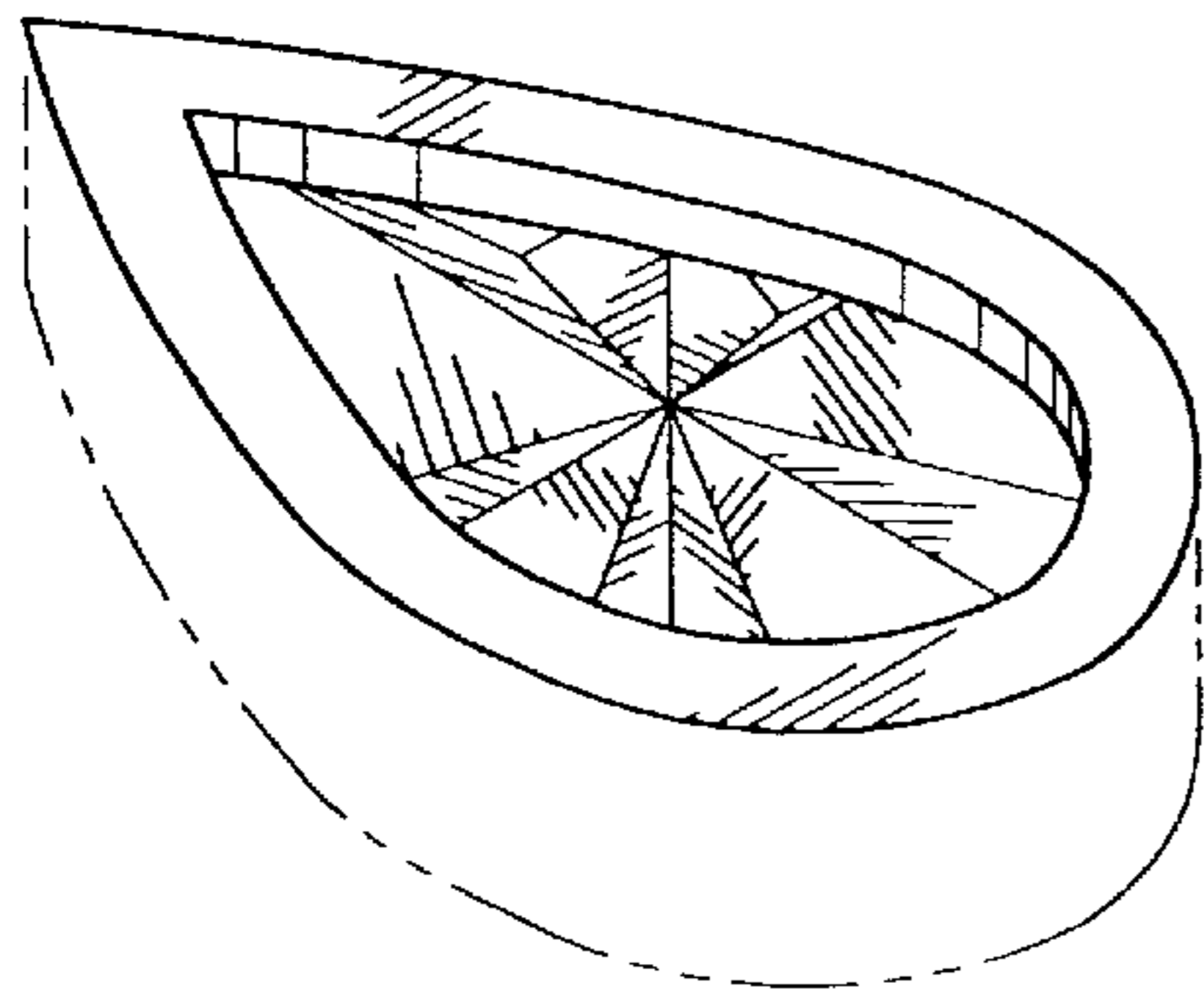


FIG. 23

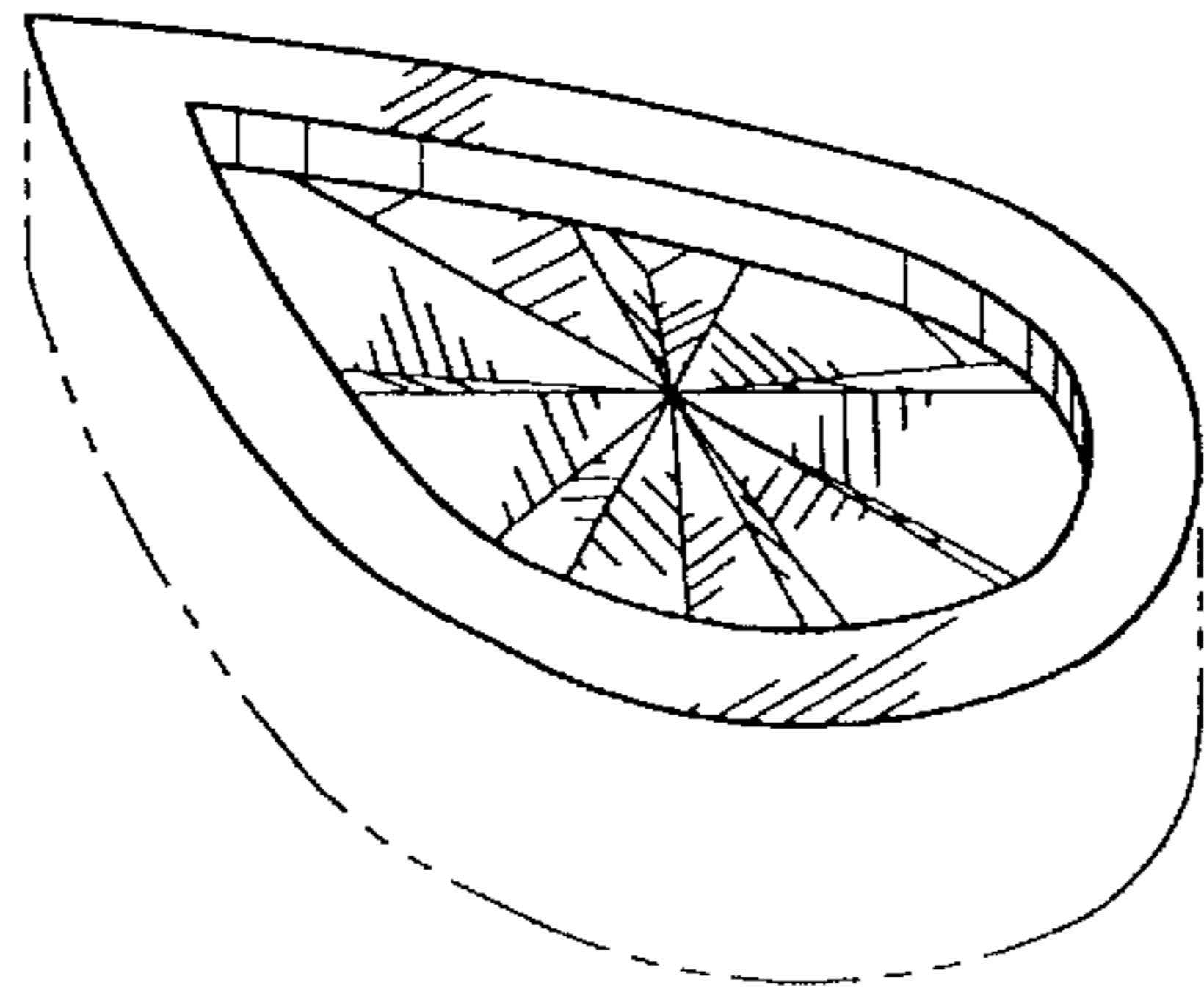


FIG. 25

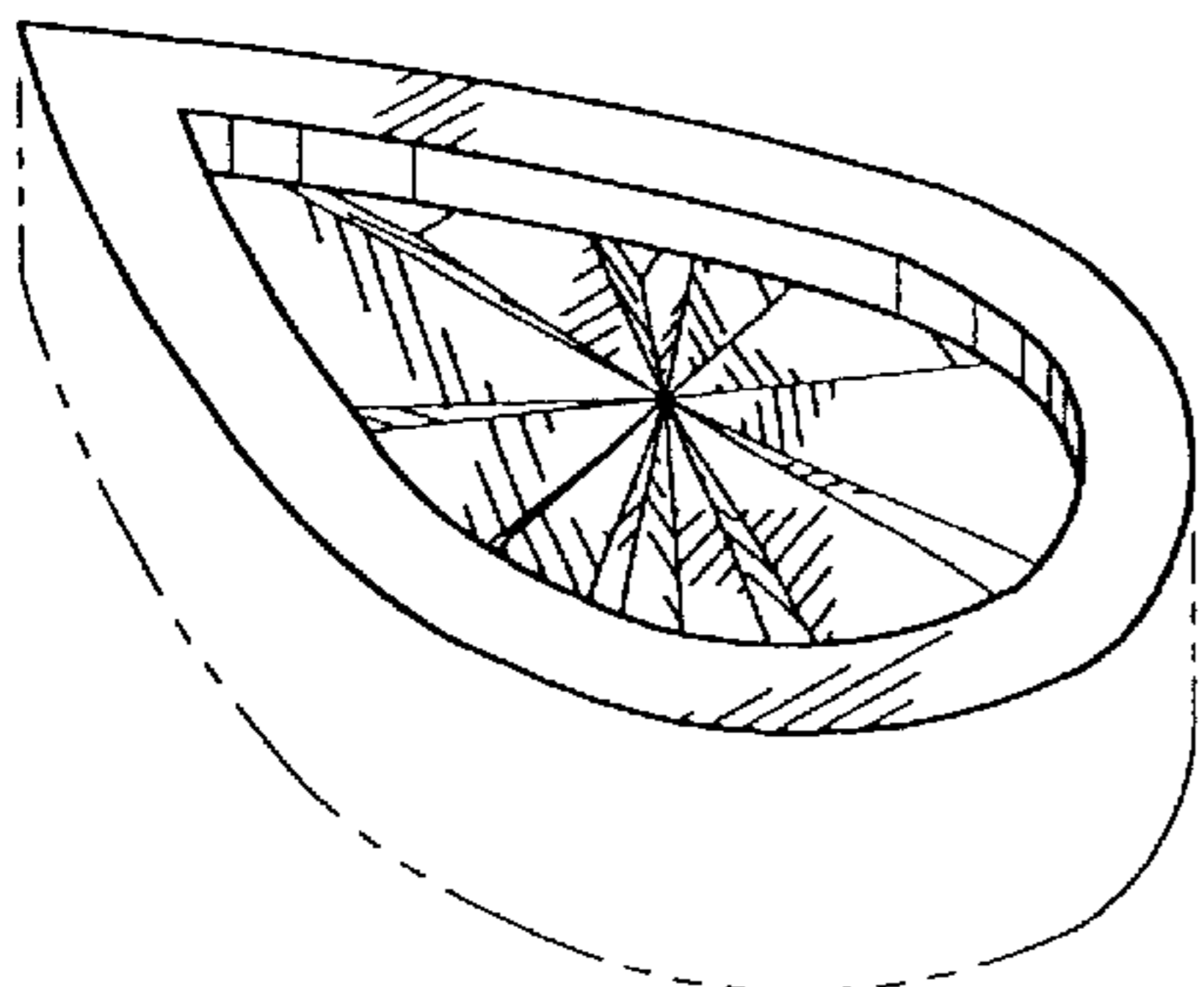


FIG. 27

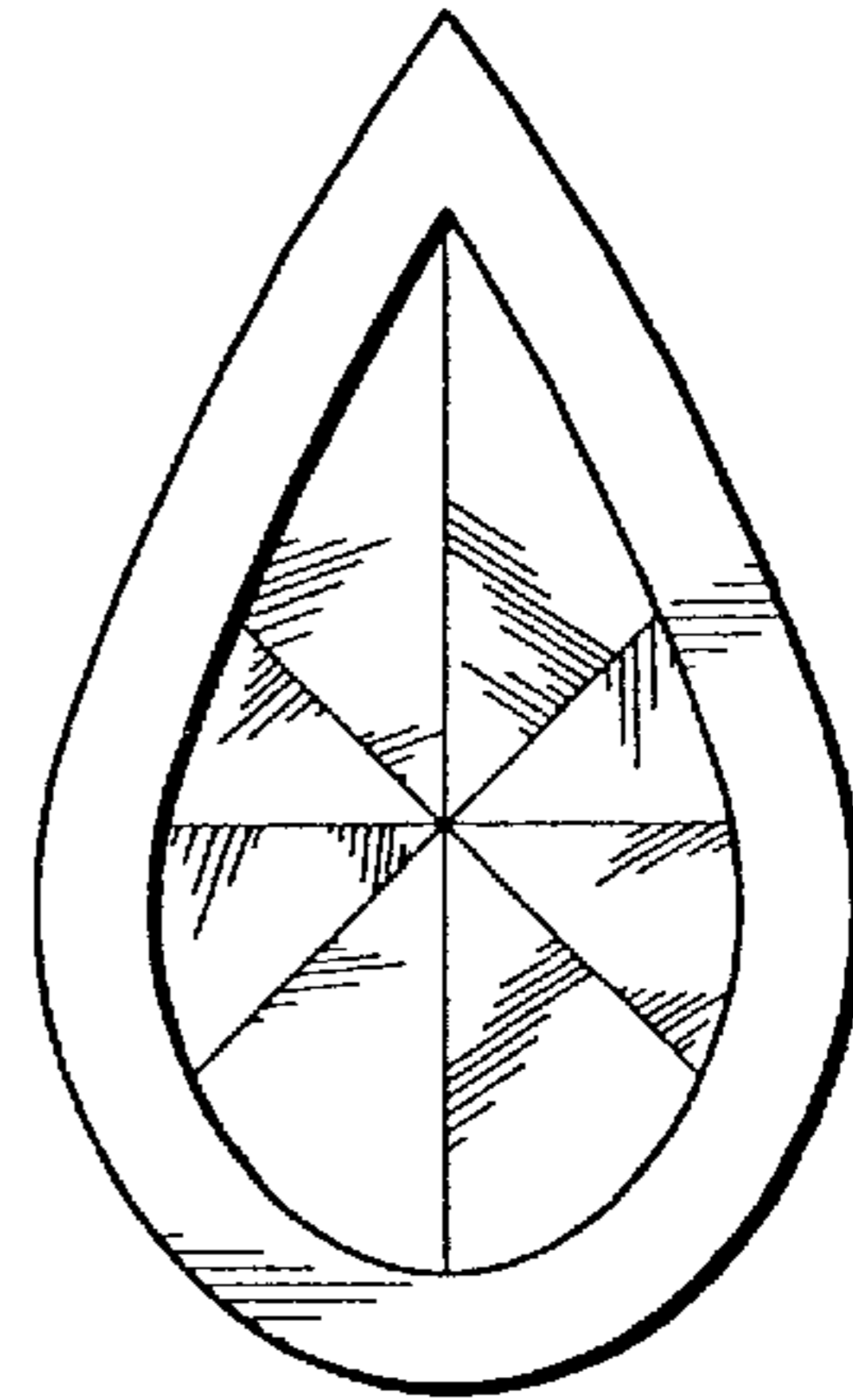


FIG. 22

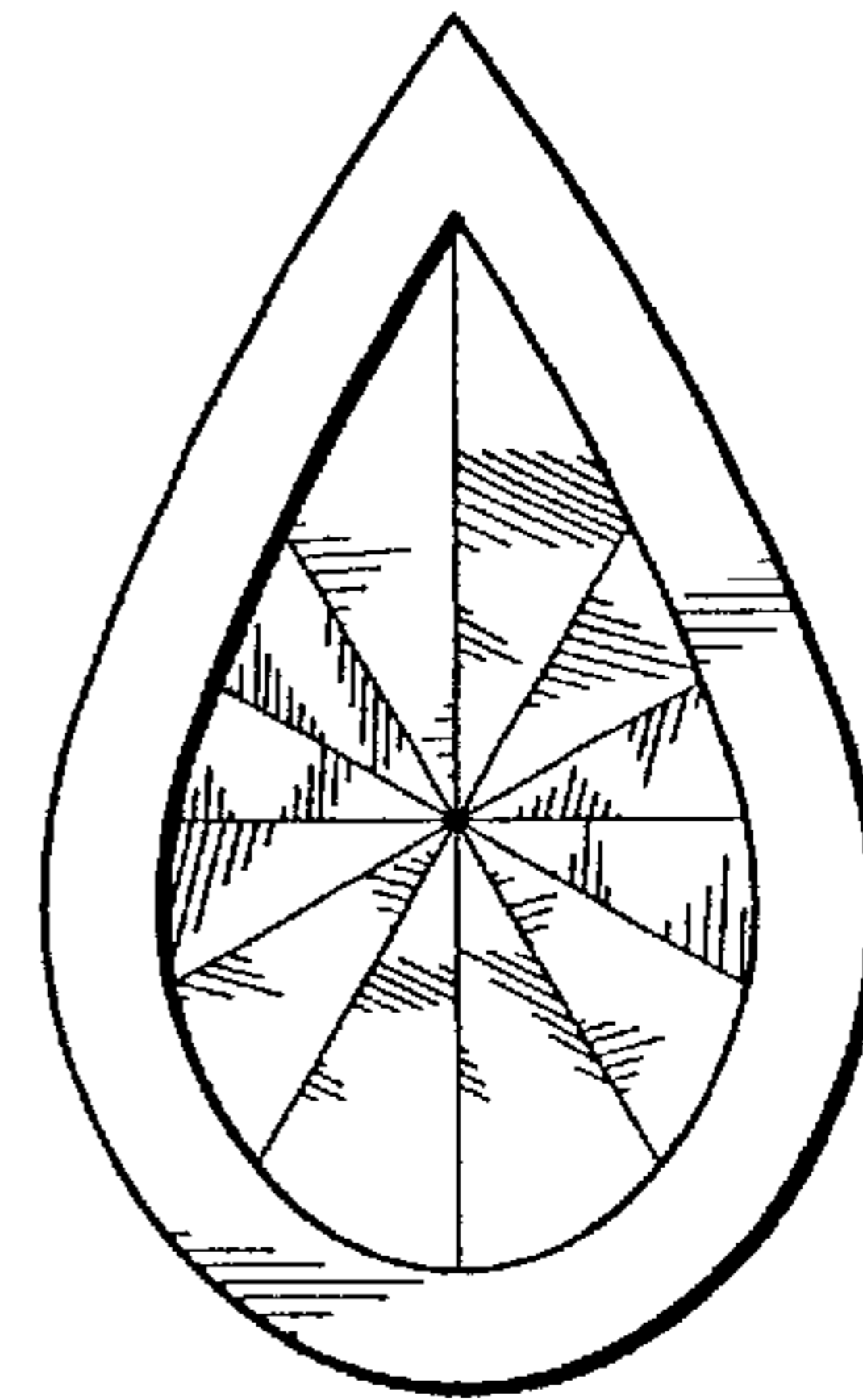


FIG. 24

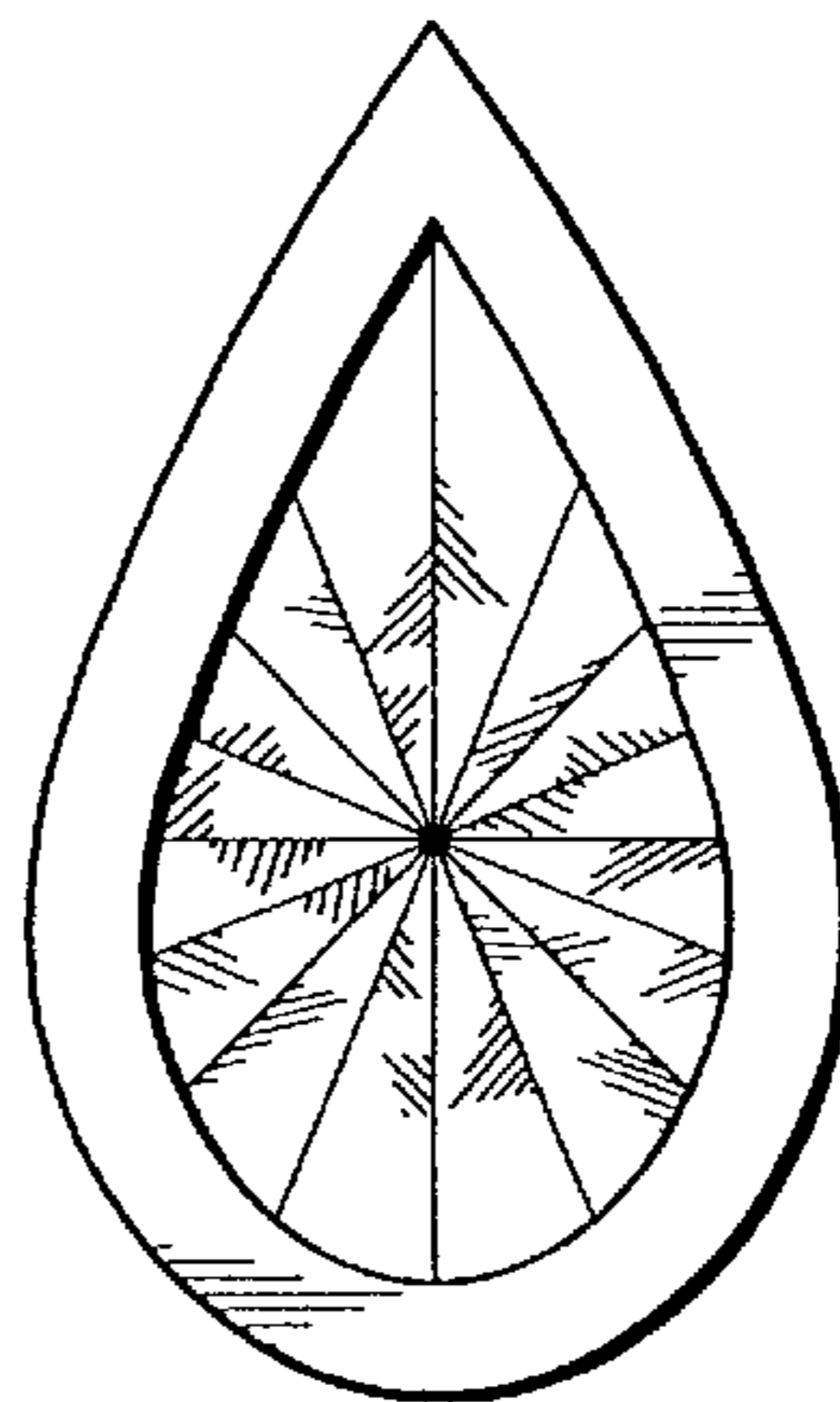


FIG. 26

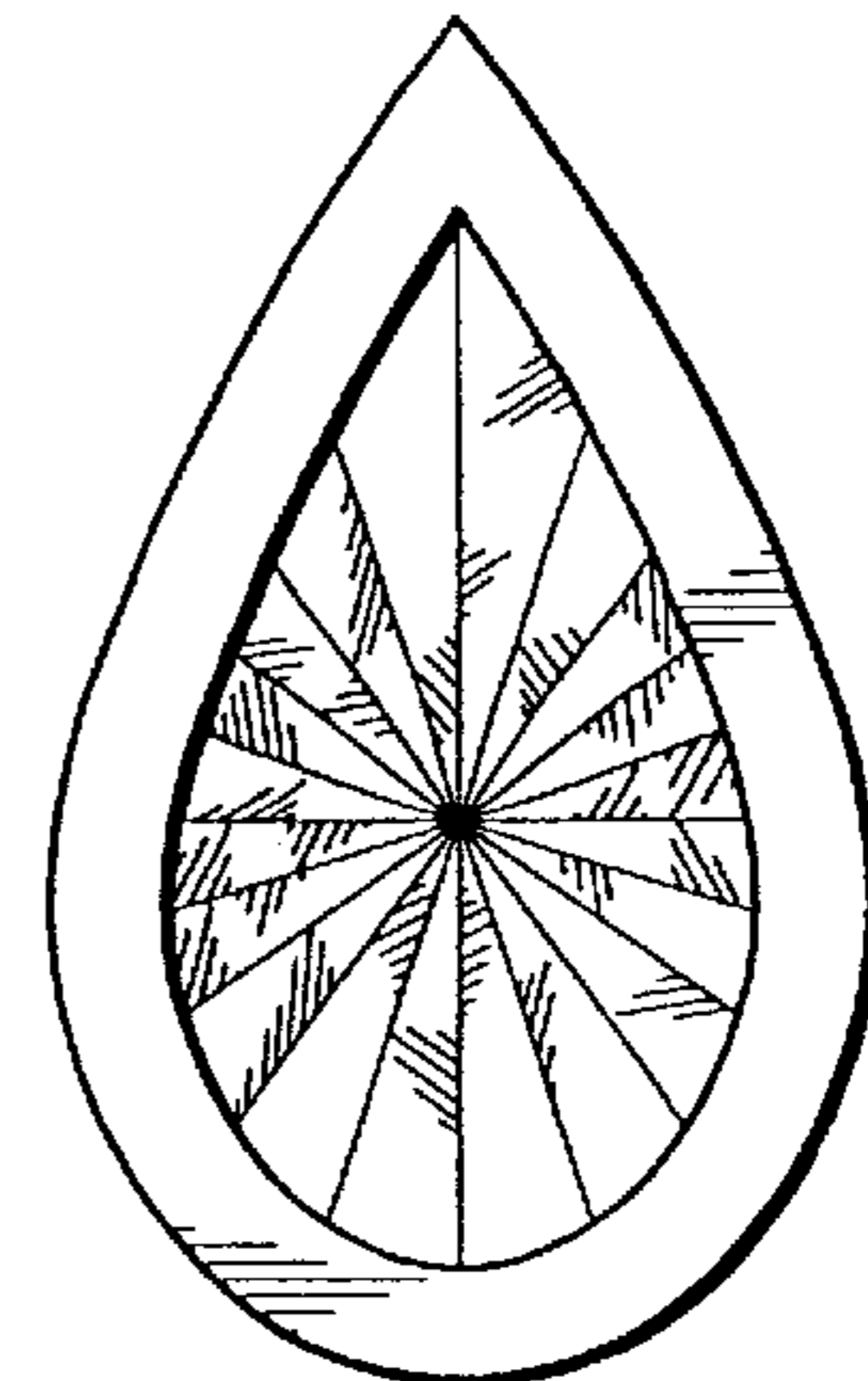


FIG. 28