



US00D489635S

(12) **United States Design Patent**
Thadani

(10) **Patent No.:** **US D489,635 S**

(45) **Date of Patent:** **** May 11, 2004**

(54) **COMPACT SCALE WITH WEIGHING TRAY COVER**

(76) Inventor: **Mohan Thadani**, c/o Gram Precision,
31-5155 Spectrum Way, Mississauga,
Ontario (CA), L4W 5A1

(**) Term: **14 Years**

(21) Appl. No.: **29/180,824**

(22) Filed: **May 1, 2003**

(51) **LOC (7) Cl.** **10-04**

(52) **U.S. Cl.** **D10/91**

(58) **Field of Search** D10/91; 177/210 C,
177/238-241, DIG. 3, 25, 30, 210 R, 229

(56) **References Cited**

U.S. PATENT DOCUMENTS

- D455,092 S * 4/2002 Kesselman D10/91
- D472,833 S * 4/2003 Thadani D10/91
- D478,826 S * 8/2003 Barmes D10/91

OTHER PUBLICATIONS

A website printout entitled "Digital Scale 150g/0.1g blue-blacklight g/Oz display", <www.xjgroup.com>, obtained on Aug. 12, 2003.

A website printout entitled "XJ-2K828", <www.xjgroup.com>, obtained on Aug. 22, 2003.

A website printout entitled "120-Z My Weigh Pocket Digital Scale Mini", <www.myweigh.com>, obtained on Aug. 29, 2003.

A website printout of the first page of a certified copy of application Ser. No. 29/178,895, filed Apr. 1, 2003.

A website printout of the first page of a certified copy of application Ser. No. 29/182,857, filed Jun. 2, 2003.

Specification and Claim of Design patent application.

Specification and Claim of Design patent application.

* cited by examiner

Primary Examiner—Antoine Duval Davis
(74) *Attorney, Agent, or Firm*—Greenblum & Bernstein, P.L.C.

(57) **CLAIM**

The ornamental design for a compact scale with weighting tray cover, as shown and described.

DESCRIPTION

FIG. 1 is a front perspective view of a first embodiment of a compact scale, showing my new design;

FIG. 2 is a right side elevational view of the embodiment of FIG. 1;

FIG. 3 is a left side elevational view of the embodiment of FIG. 1;

FIG. 4 is a top plan view of the embodiment of FIG. 1;

FIG. 5 is a bottom plan view of the embodiment of FIG. 1;

FIG. 6 is a rear elevational view of the embodiment of FIG. 1;

FIG. 7 is front elevational view of the embodiment of FIG. 1;

FIG. 8 is a perspective view of a second embodiment of a compact scale;

FIG. 9 is a right side elevational view of the embodiment of FIG. 8;

FIG. 10 is a left side elevational view of the embodiment of FIG. 8;

FIG. 11 is a top plan view of the embodiment of FIG. 8;

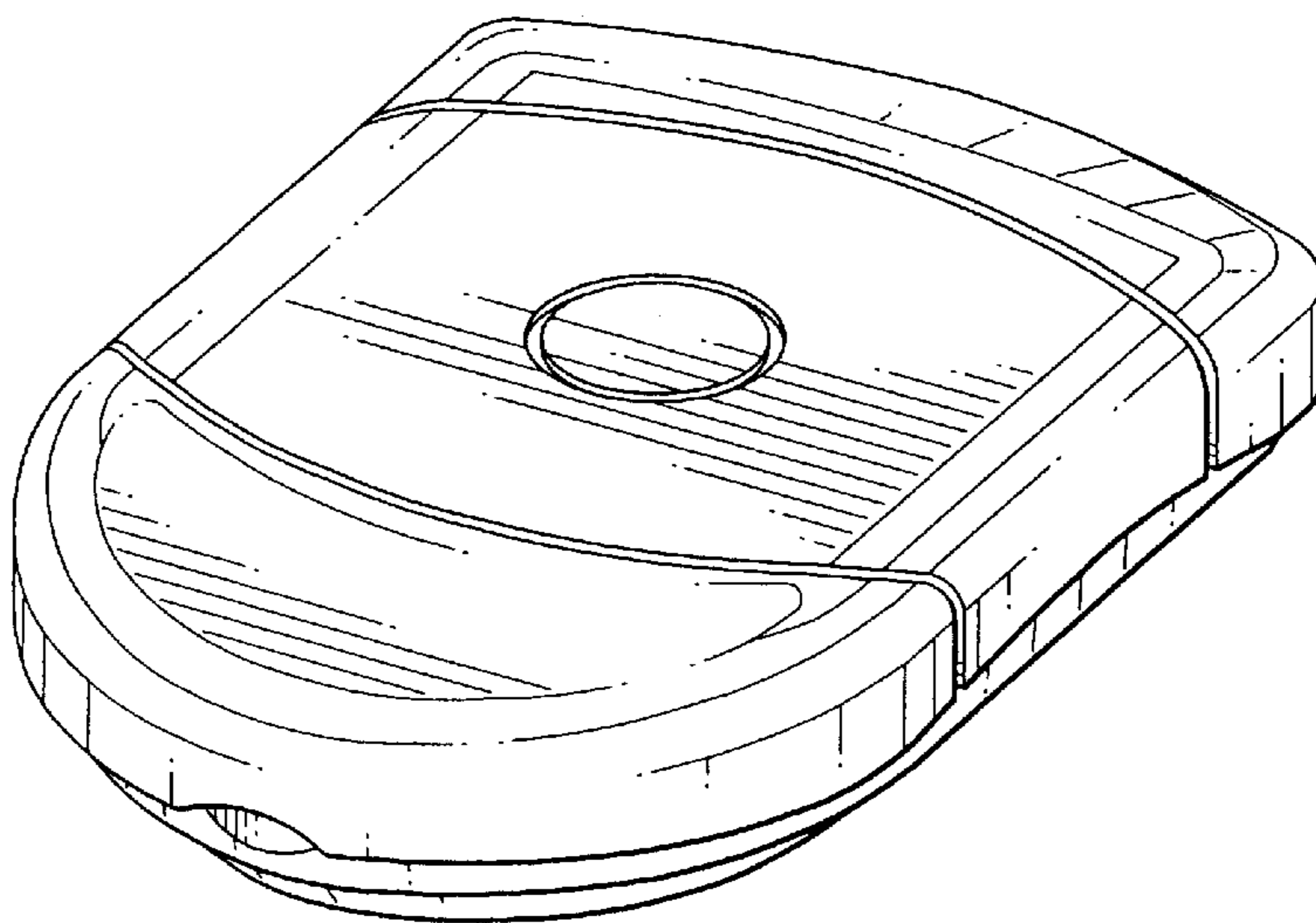
FIG. 12 is a bottom plan view of the embodiment of FIG. 8;

FIG. 13 is a rear elevational view of the embodiment of FIG. 8; and,

FIG. 14 is a front elevational view of the embodiment of FIG. 8.

The broken line showing is for illustrative purposes only and forms no part of the claimed design.

1 Claim, 6 Drawing Sheets



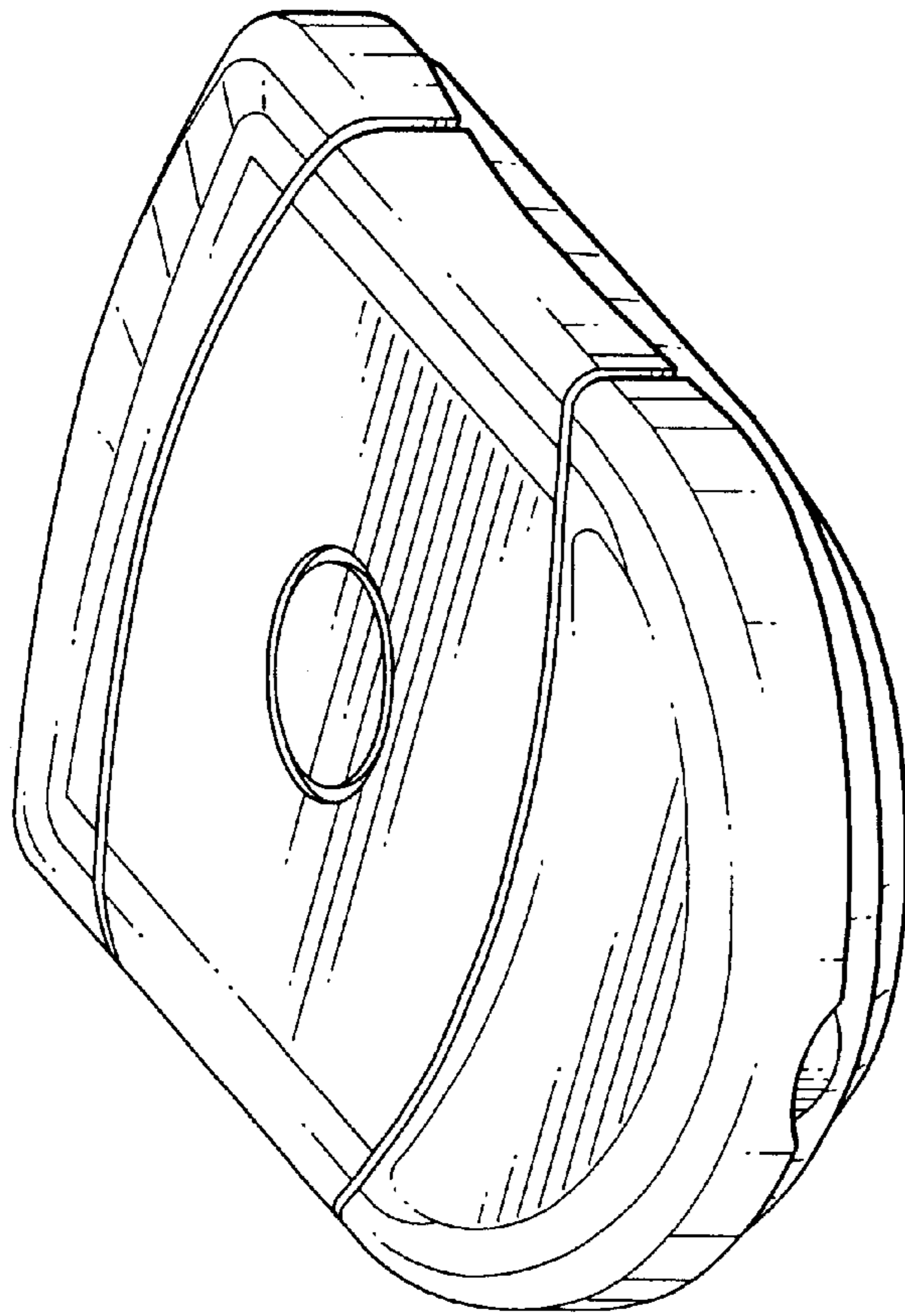


FIG. 1

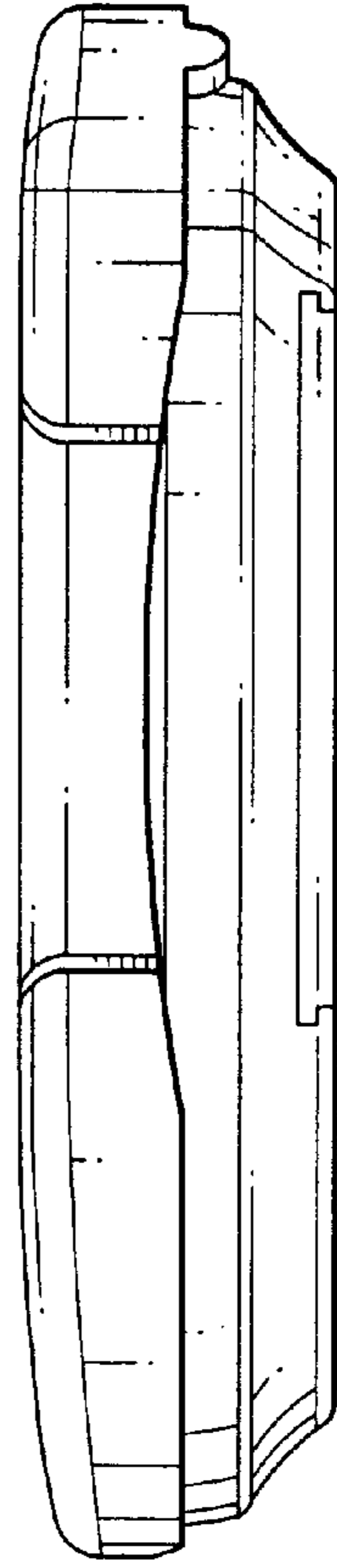


FIG. 2

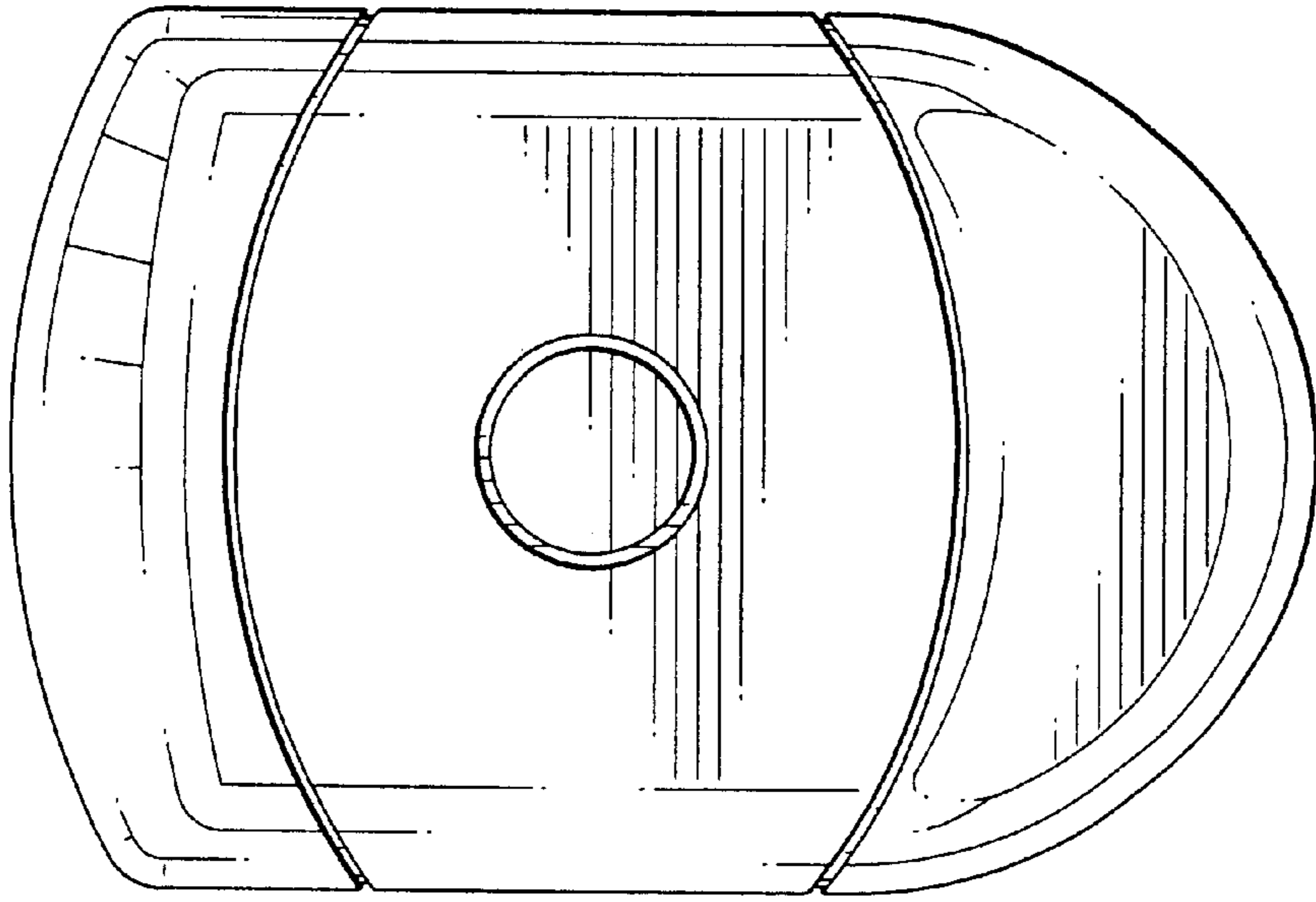


FIG. 4

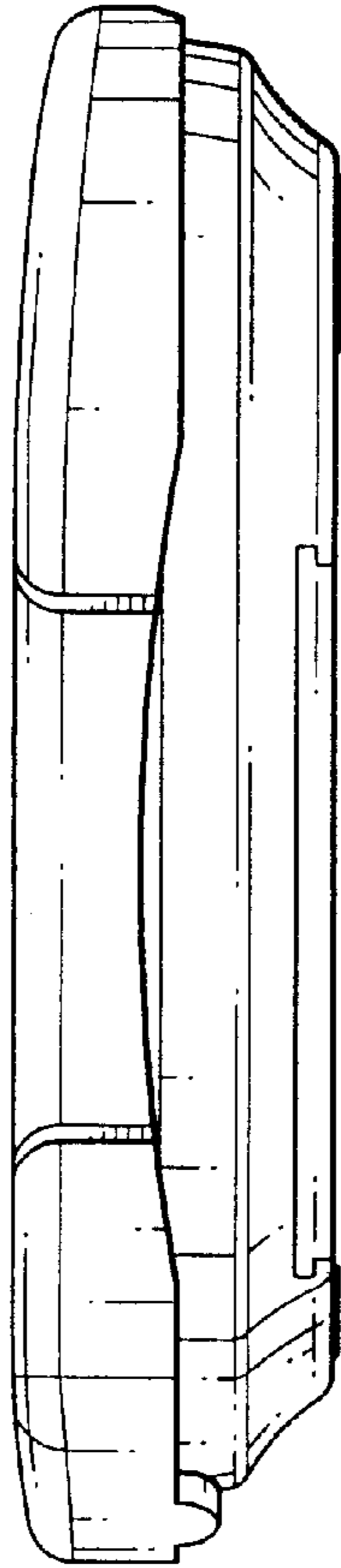


FIG. 3

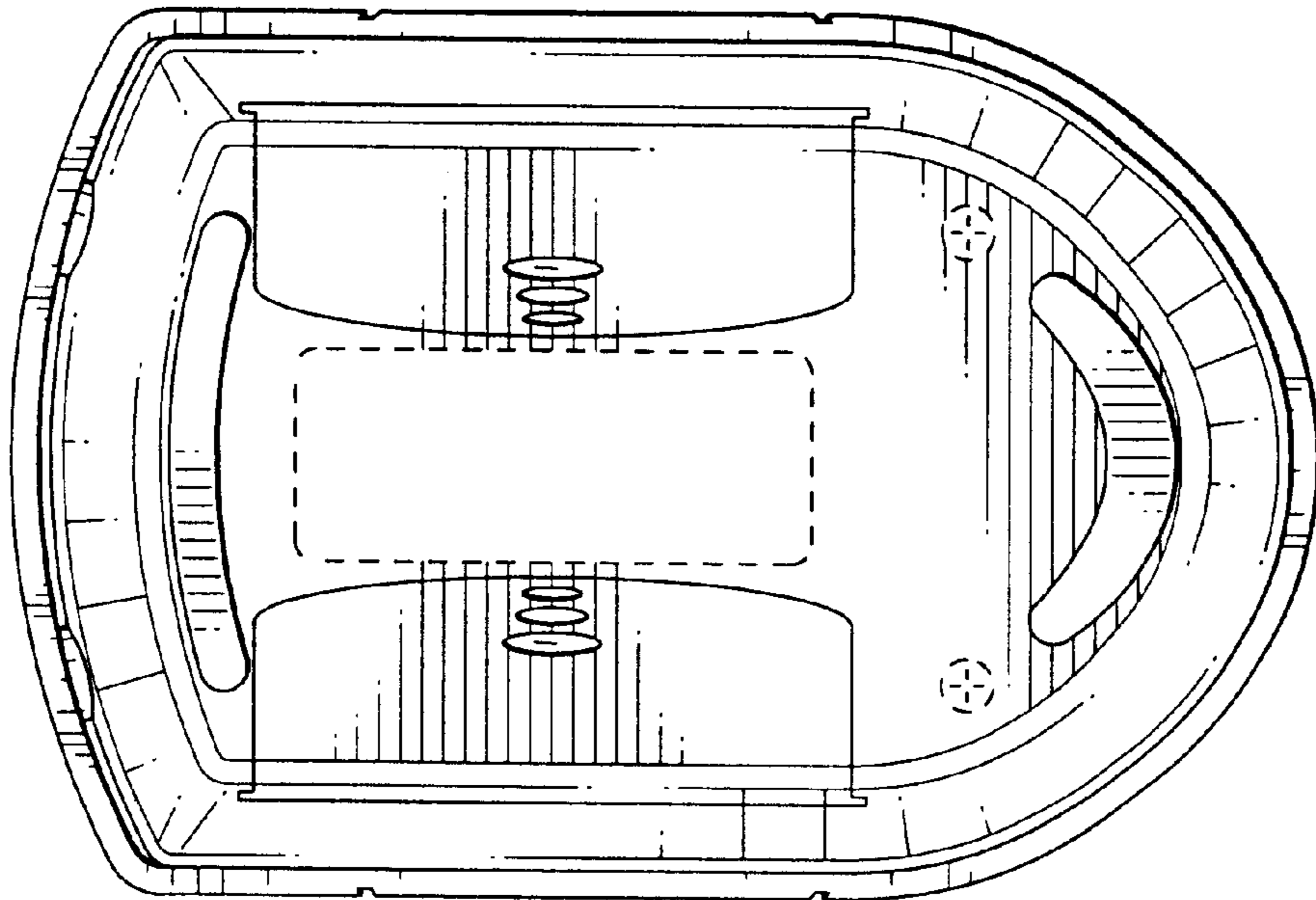


FIG. 5

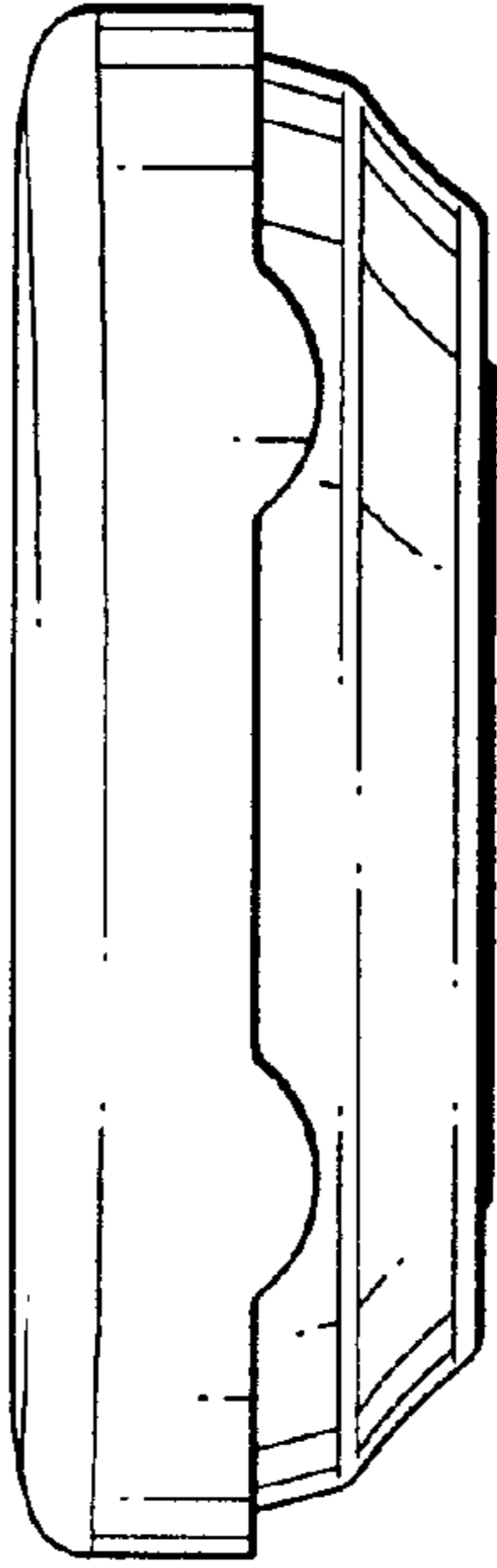


FIG. 6

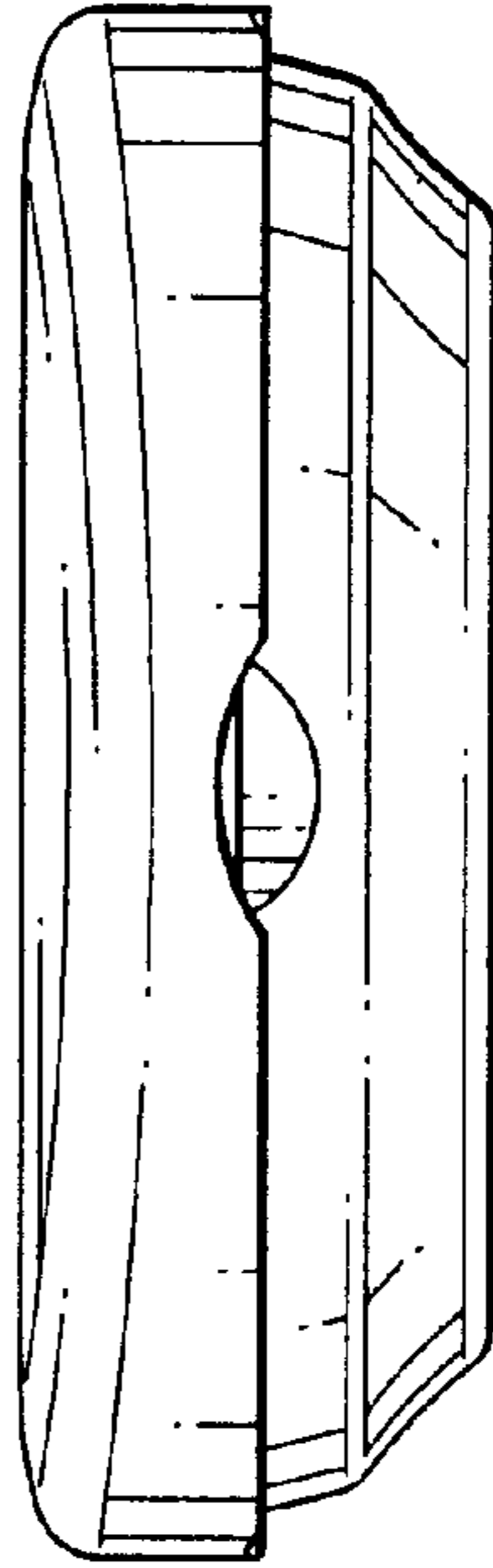


FIG. 7

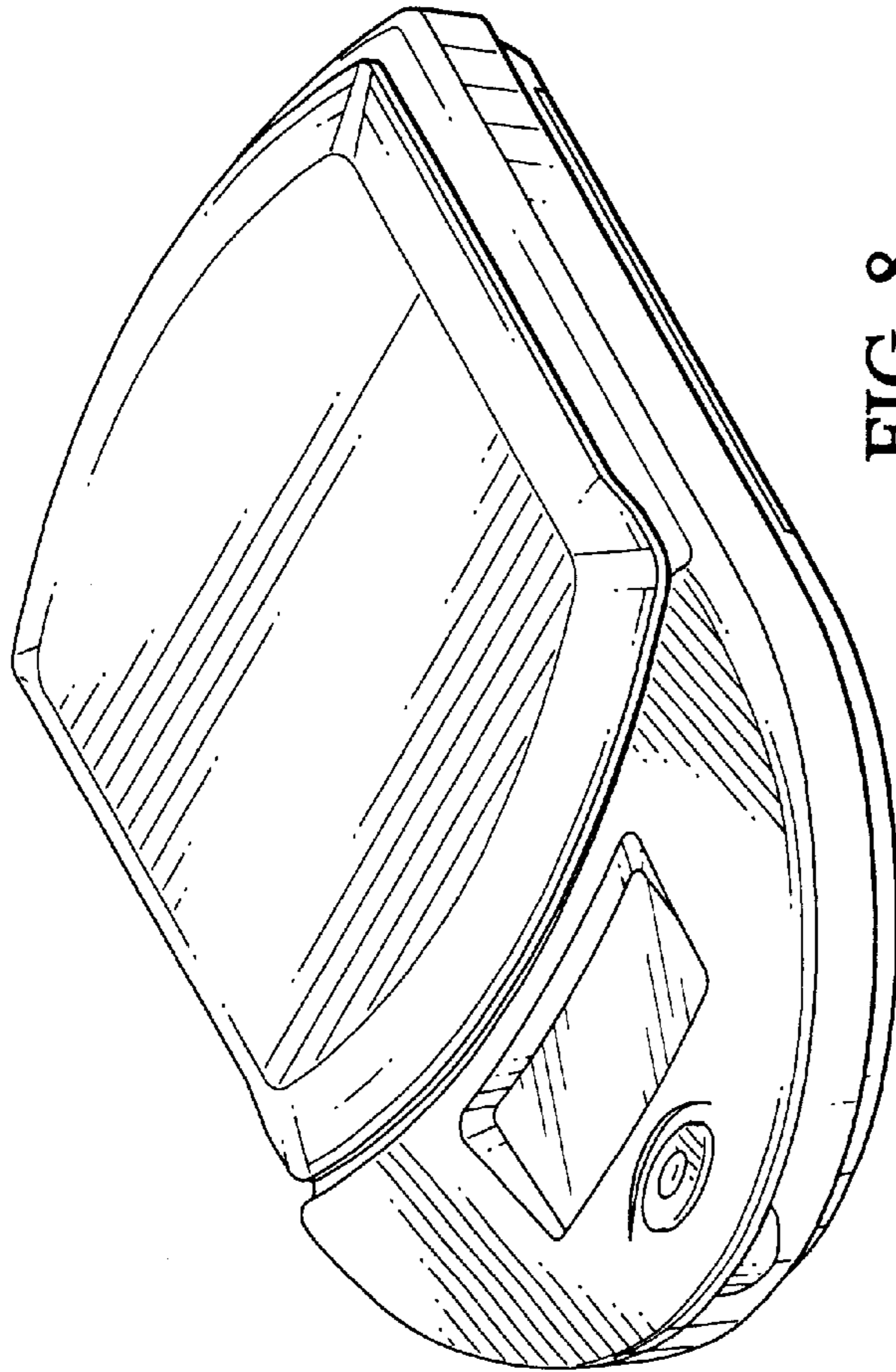


FIG. 8

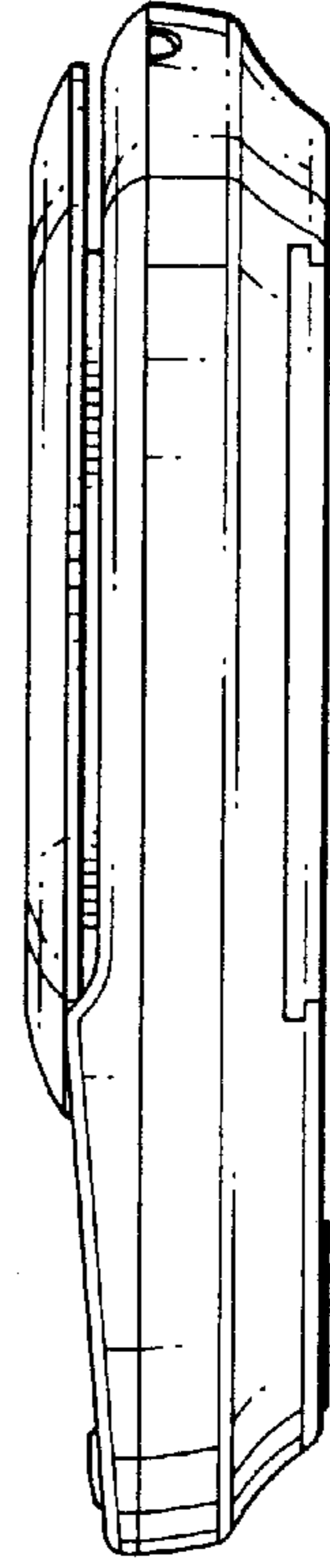


FIG. 9

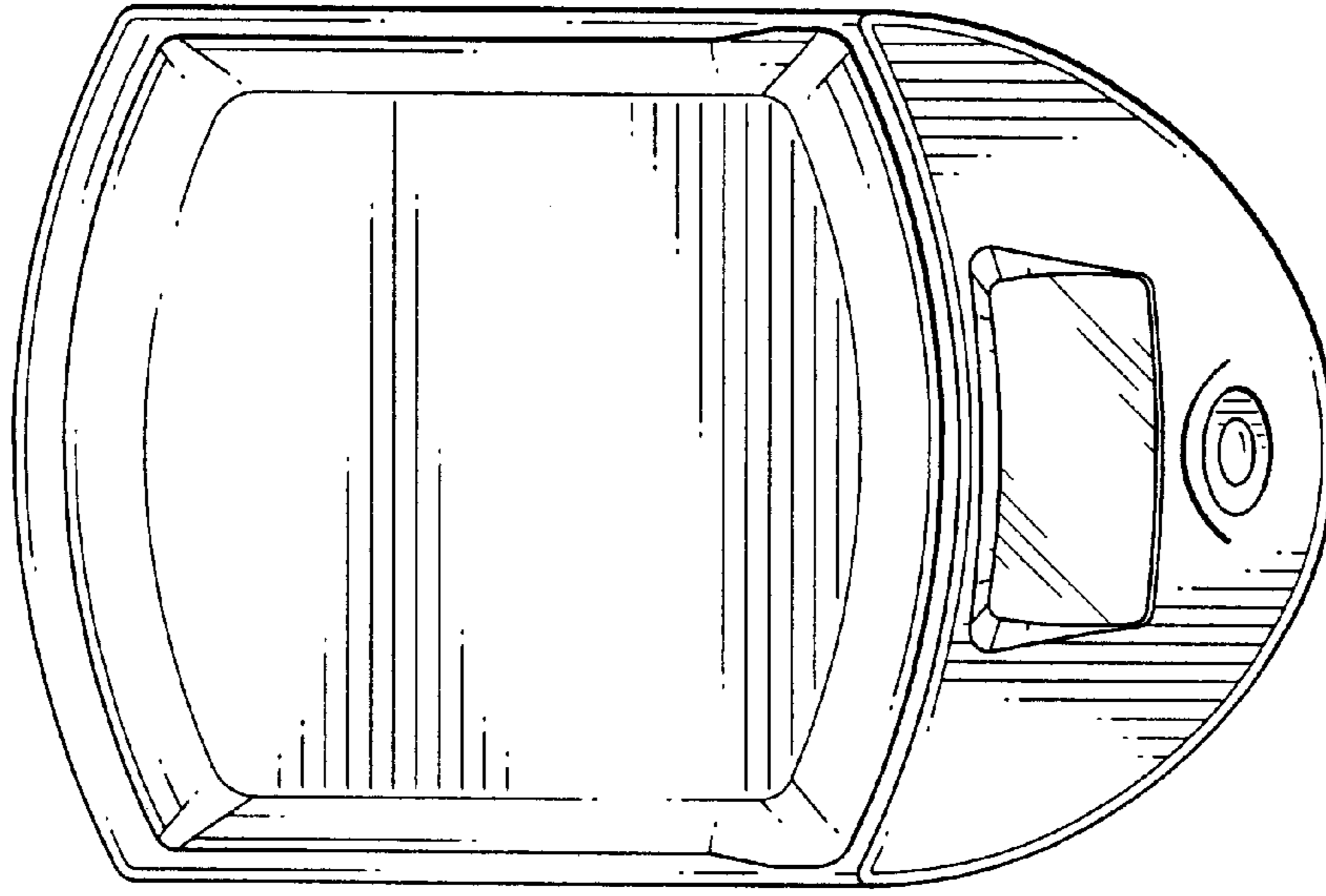


FIG. 11

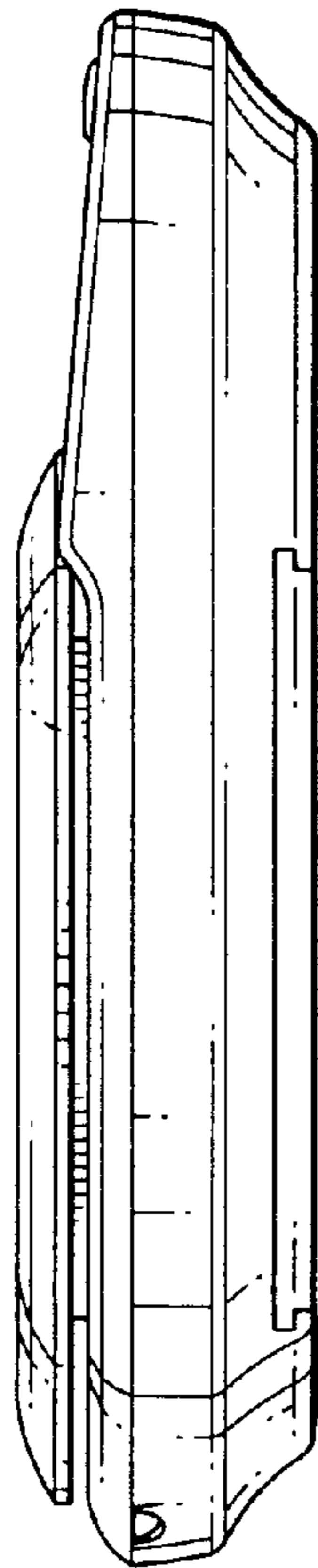


FIG. 10

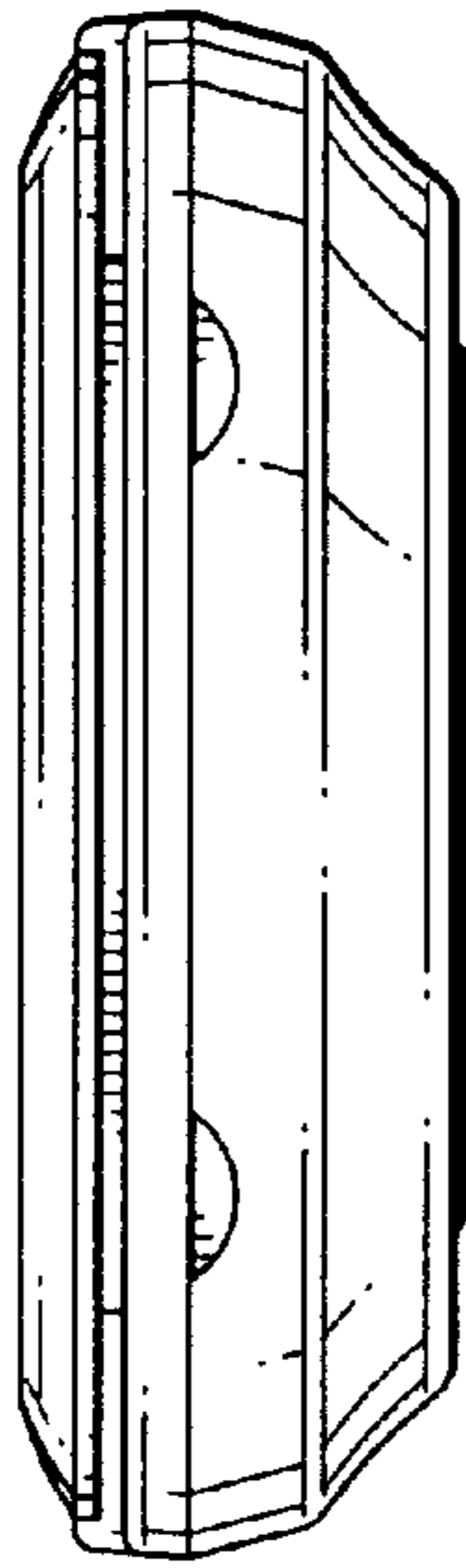


FIG. 13

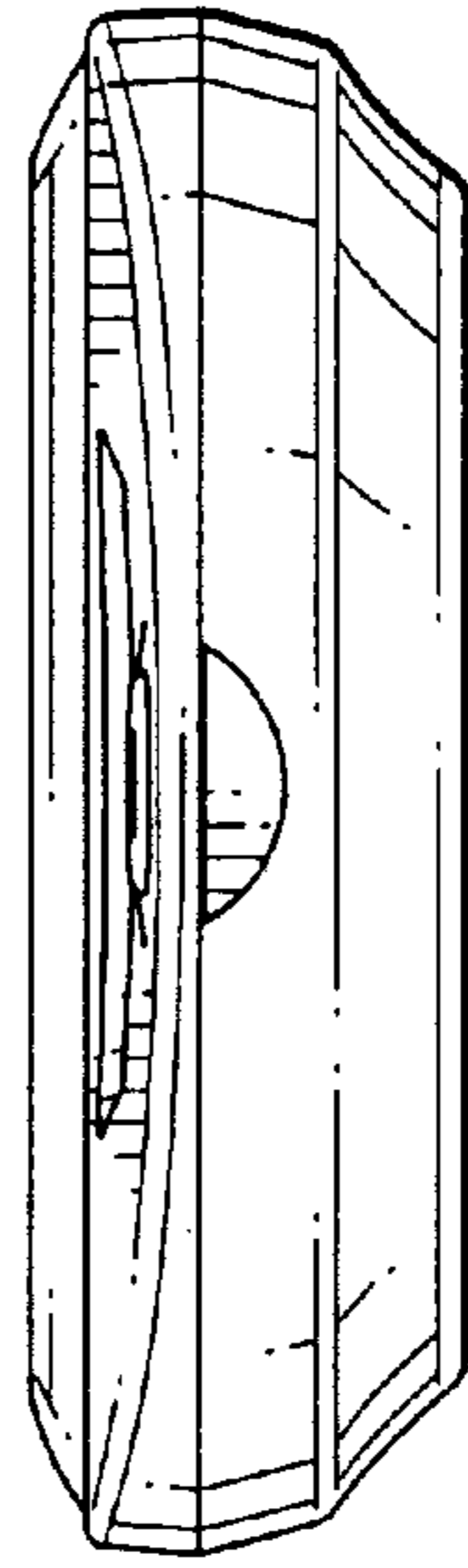


FIG. 14

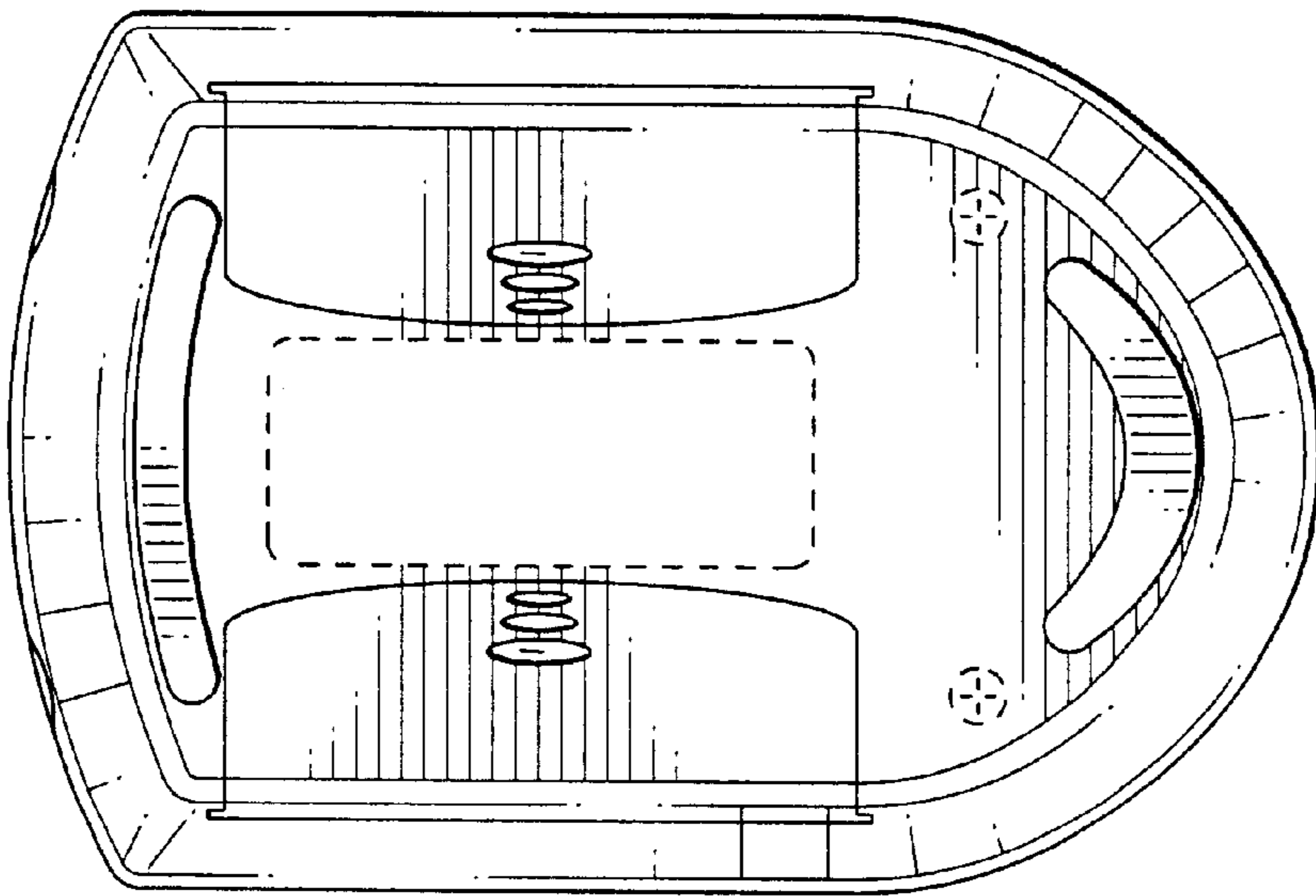


FIG. 12