



US00D489634S

(12) **United States Design Patent**
Kung

(10) **Patent No.:** **US D489,634 S**

(45) **Date of Patent:** **** May 11, 2004**

(54) **BATTERY TESTER**

(75) Inventor: **C. H. Kung**, Kow Loon (HK)

(73) Assignee: **HSN Improvements, LLC**,
Weehawken, NJ (US)

(**) Term: **14 Years**

(21) Appl. No.: **29/170,110**

(22) Filed: **Oct. 31, 2002**

(51) **LOC (7) Cl.** **10-04**

(52) **U.S. Cl.** **D10/77**

(58) **Field of Search** D10/77, 78; 320/104;
324/378-402, 425-437

On-line catalog for "Battery/Alternator Tester 12/24V LED," by Justoffbase Tools (Oct. 2002).

Catalog, "Just ONE Tester Tests All Your Batteries, Bulbs & Fuses!", by Improvements (Sep. 2002).

Catalog, "Simple Storage For All Those Batteries . . . Even Includes a Built-In Tester!", by Improvements (Sep. 2002).

Catalog, "One Tester Examines All The Electricity In Your Home, Your Car, Your Batteries!", by Improvements (Sep. 2002).

On-line catalog for testers by ZTS Products (Jul. 2002).

On-line catalog for "Multi Battery Tester," by Herrington (Apr. 2001).

* cited by examiner

(56) **References Cited**

U.S. PATENT DOCUMENTS

D165,309 S	*	11/1951	Sparr	D10/77
4,659,994 A		4/1987	Poljak		
5,087,885 A		2/1992	Bergstrom		
5,376,887 A		12/1994	Saubolle		
5,914,605 A		6/1999	Bertness		
D442,503 S		5/2001	Lundbeck et al.		
6,323,650 B1		11/2001	Bertness et al.		
6,456,045 B1		9/2002	Troy et al.		
6,570,385 B1	*	5/2003	Roberts et al.	324/378

FOREIGN PATENT DOCUMENTS

DE	3004734	8/1981
DE	3530148	2/1987
FR	2575837	7/1986
SU	706745	12/1979

OTHER PUBLICATIONS

Product information literature for "Battery, Bulb, & Fuse Tester," by Improvements (Sep. 2002).

On-line "Hearing Aid Accessories Catalog," by AudioExtras, Inc. (Oct. 2002).

Primary Examiner—Antoine Duval Davis

(74) *Attorney, Agent, or Firm*—Thompson Hine LLP

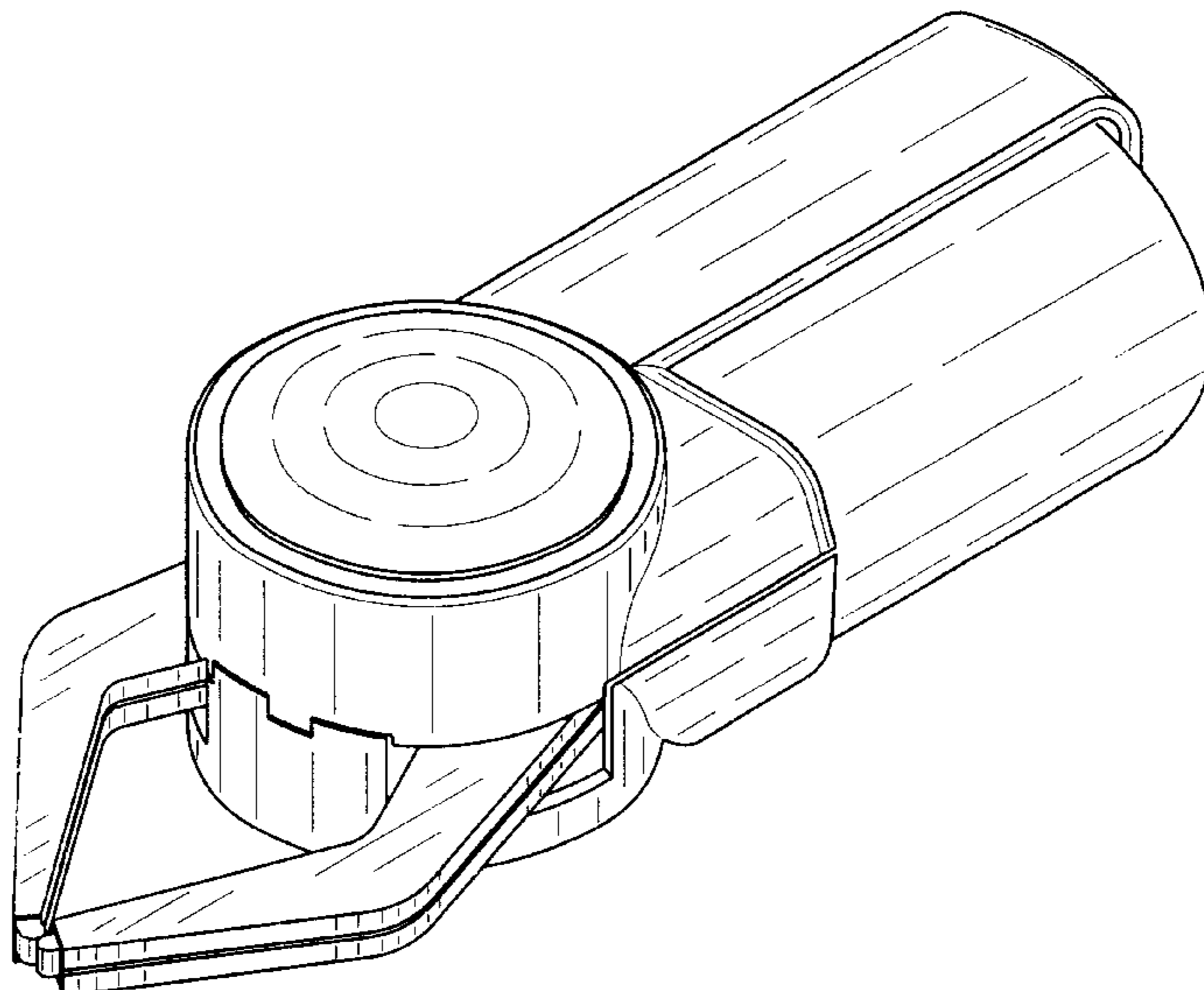
(57) **CLAIM**

The ornamental design for a battery tester, as shown and described.

DESCRIPTION

FIG. 1 is a front perspective view of my new battery tester; FIG. 2 is a left side elevational view thereof; FIG. 3 is a top plan view thereof; FIG. 4 is a right side elevational view thereof; FIG. 5 is a bottom plan view thereof; FIG. 6 is a top elevational view thereof; and, FIG. 7 is a bottom elevational view thereof.

1 Claim, 4 Drawing Sheets



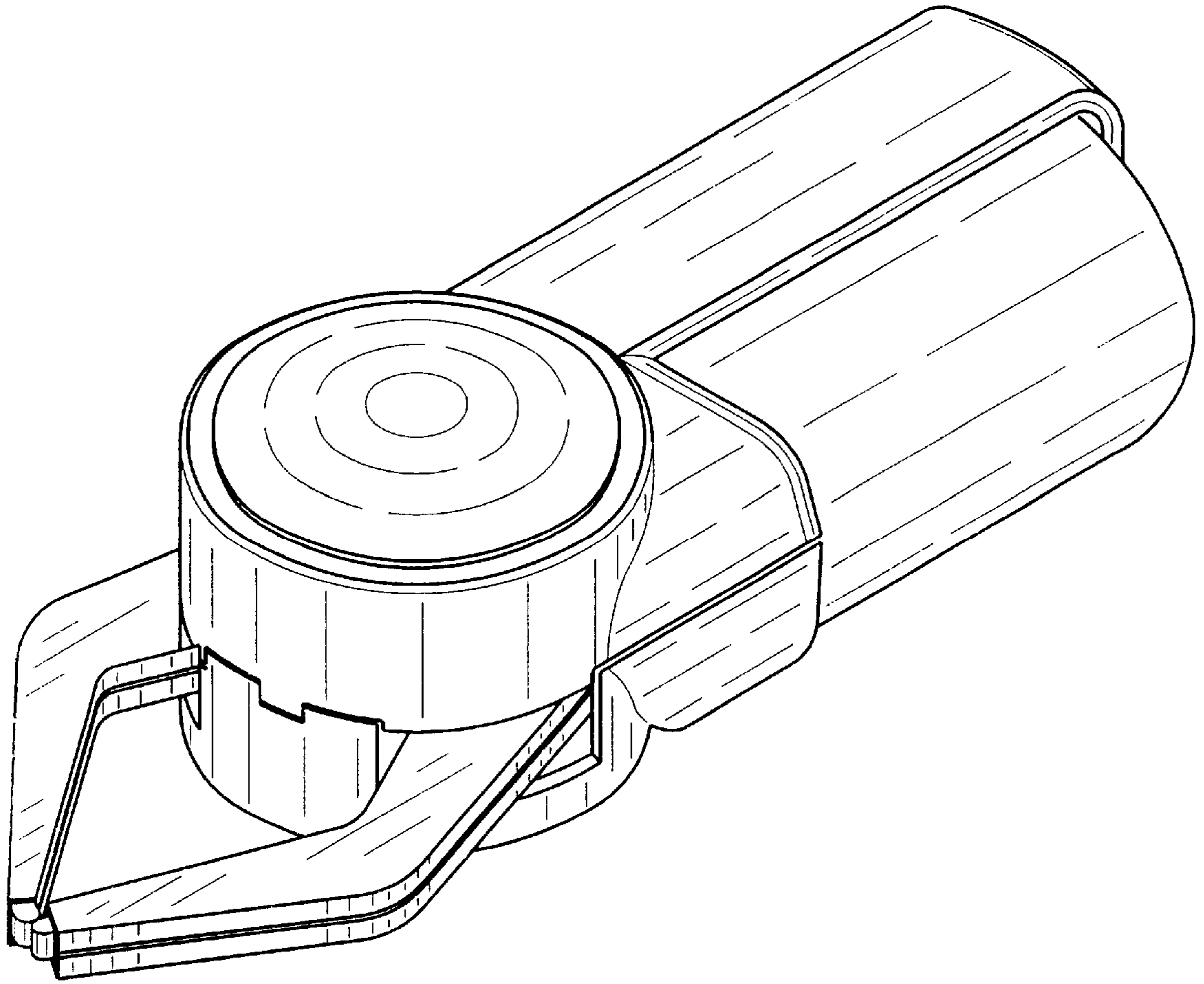


Fig. 1

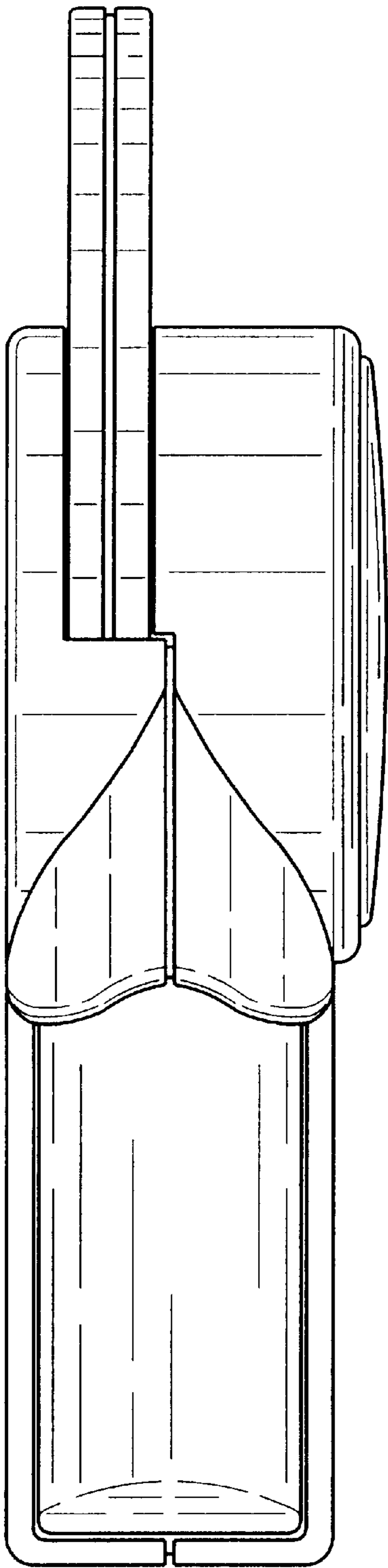


Fig. 2

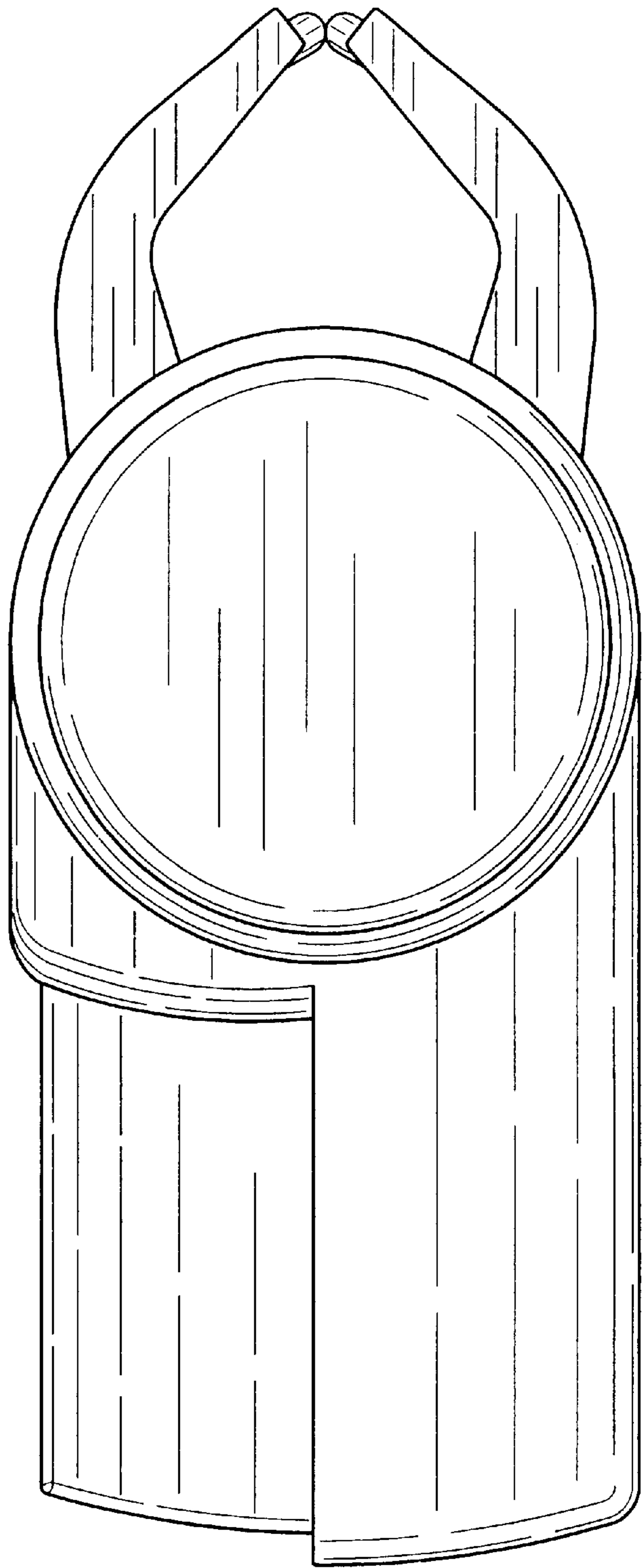


Fig. 3

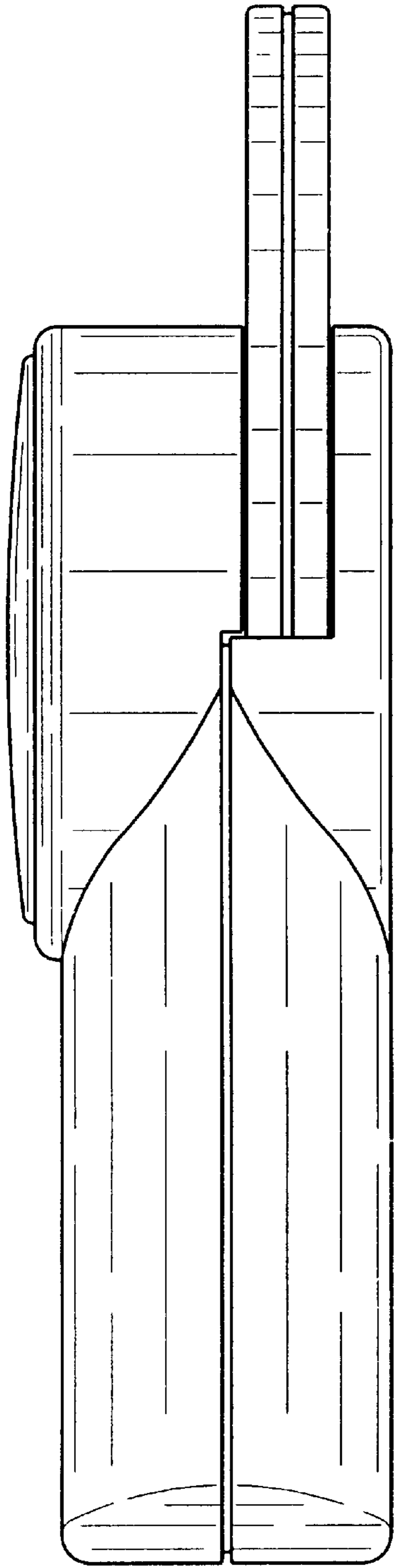


Fig. 4

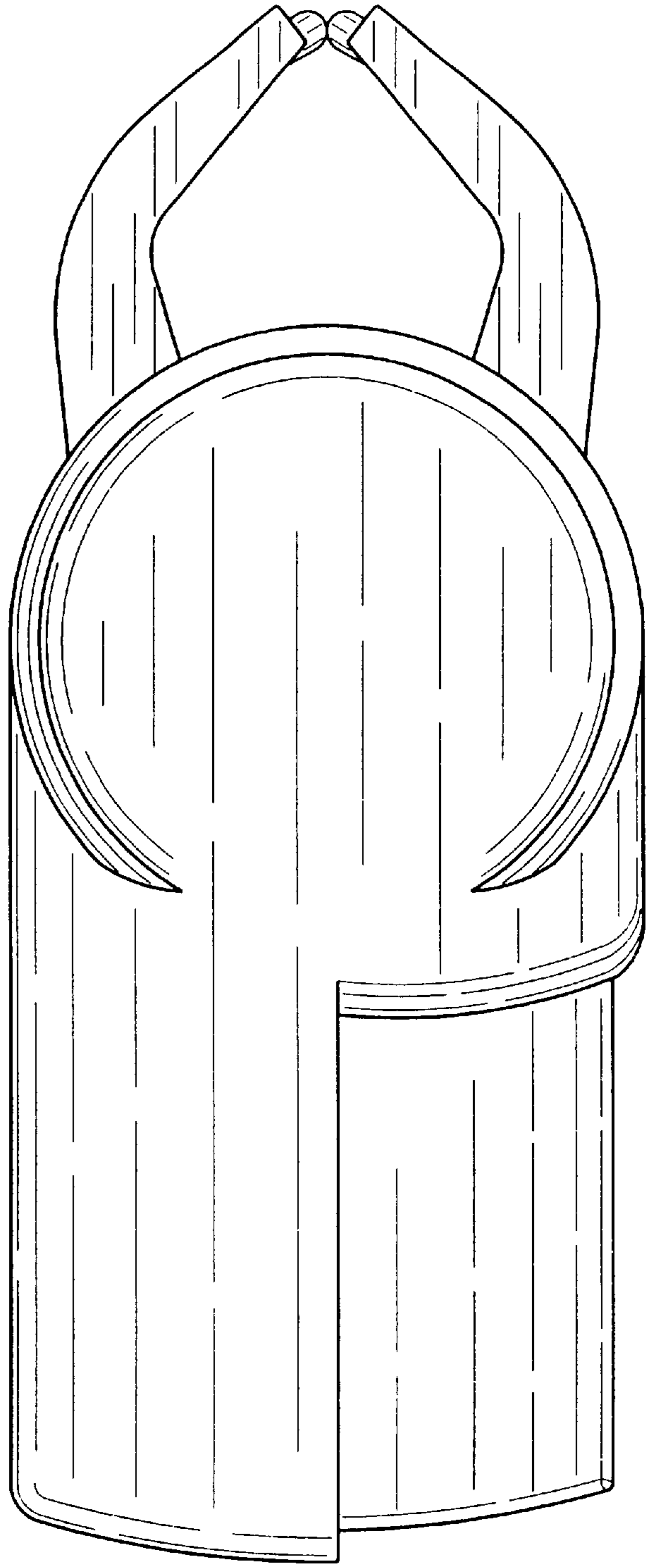


Fig. 5

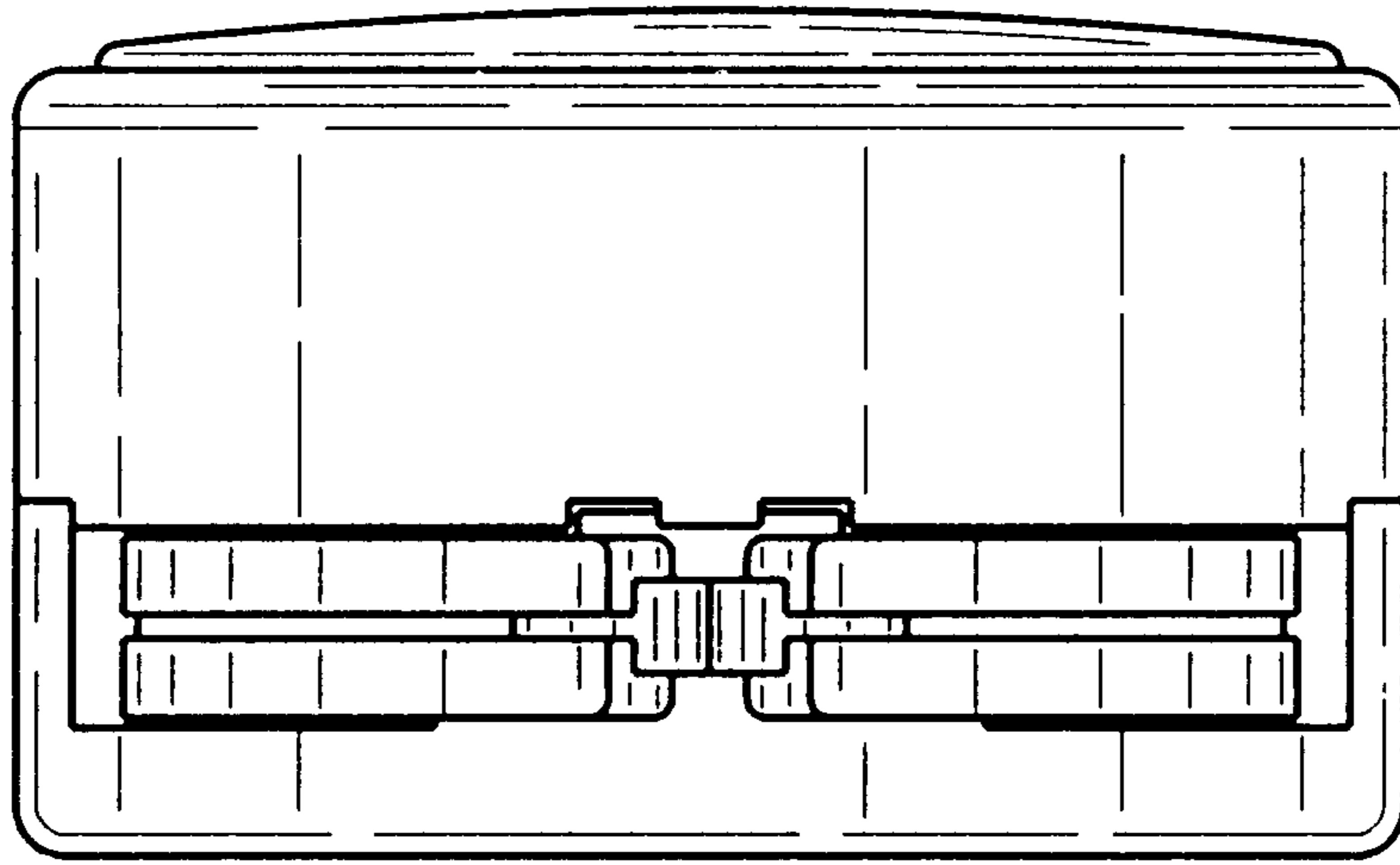


Fig. 6

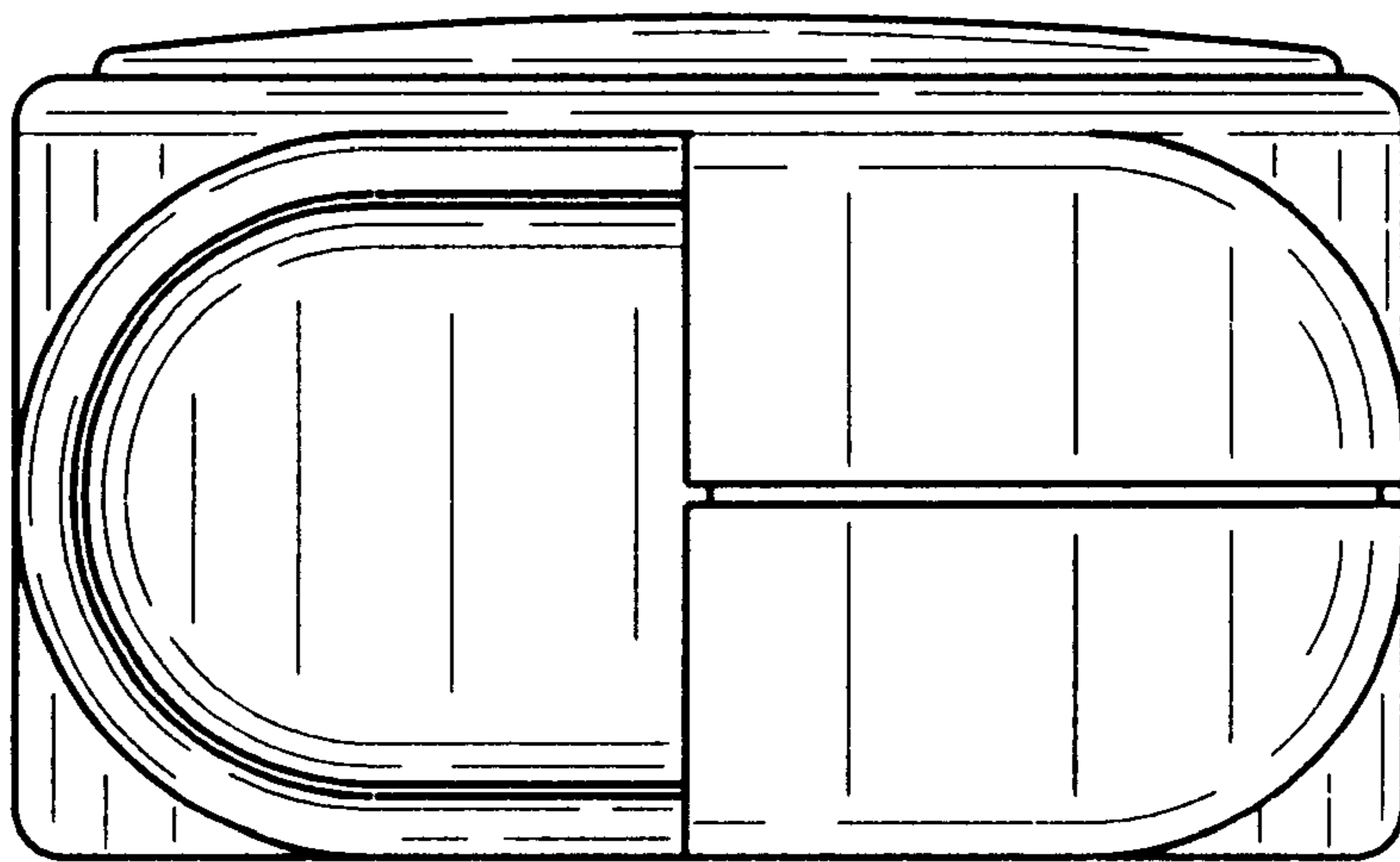


Fig. 7