



US00D489632S

(12) **United States Design Patent**  
**Lin**

(10) **Patent No.:** **US D489,632 S**

(45) **Date of Patent:** **\*\* May 11, 2004**

(54) **MULTI-FUNCTIONS TAPE RULE**

(75) Inventor: **Henry Lin**, Taipei (TW)

(73) Assignee: **Index Measuring Tape Co., Ltd.**,  
Taipei (TW)

(\*\*) Term: **14 Years**

(21) Appl. No.: **29/179,118**

(22) Filed: **Apr. 7, 2003**

(51) **LOC (7) Cl.** ..... **10-04**

(52) **U.S. Cl.** ..... **D10/72**

(58) **Field of Search** ..... **D10/72; 33/755-770**

(56) **References Cited**

**U.S. PATENT DOCUMENTS**

D289,742 S \* 5/1987 Blakely et al. .... D10/72  
D461,136 S \* 8/2002 Lin ..... D10/72

\* cited by examiner

*Primary Examiner*—Antoine Duval Davis  
(74) *Attorney, Agent, or Firm*—Troxell Law Office PLLC

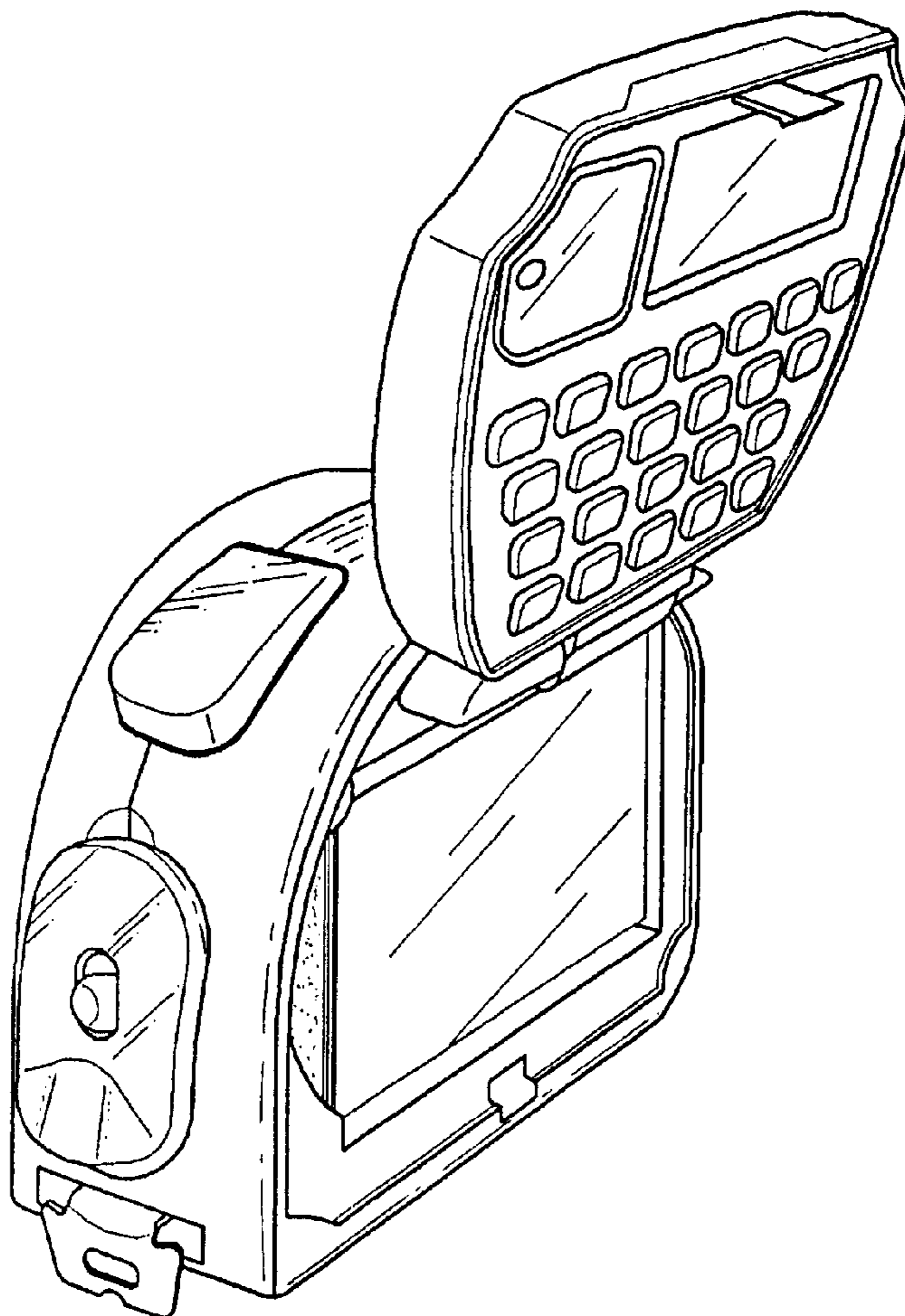
(57) **CLAIM**

The ornamental design for a multi-functions tape rule, as shown and described.

**DESCRIPTION**

FIG. 1 is an elevational view of a multi-functions tape rule showing my new design;  
FIG. 2 is a front elevational view thereof;  
FIG. 3 is a rear elevational view thereof;  
FIG. 4 is a left elevational view thereof;  
FIG. 5 is a right elevational view thereof;  
FIG. 6 is a top plan elevational view thereof;  
FIG. 7 is a bottom plan elevational view thereof;  
FIG. 8 is a perspective view showing the status of use of my new design; and,  
FIG. 9 is another perspective view showing the status of use of my new design.

**1 Claim, 6 Drawing Sheets**



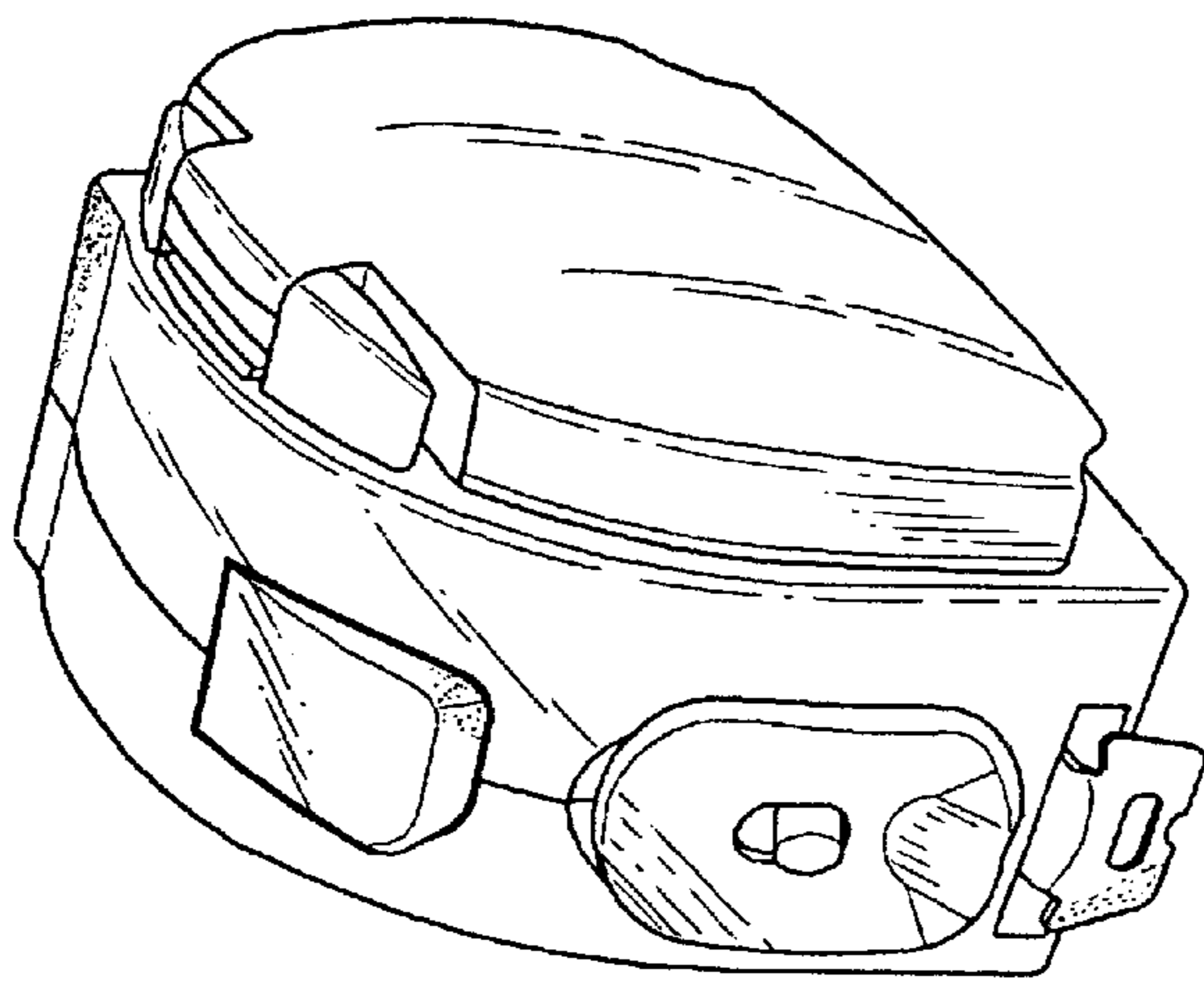


FIG. 1

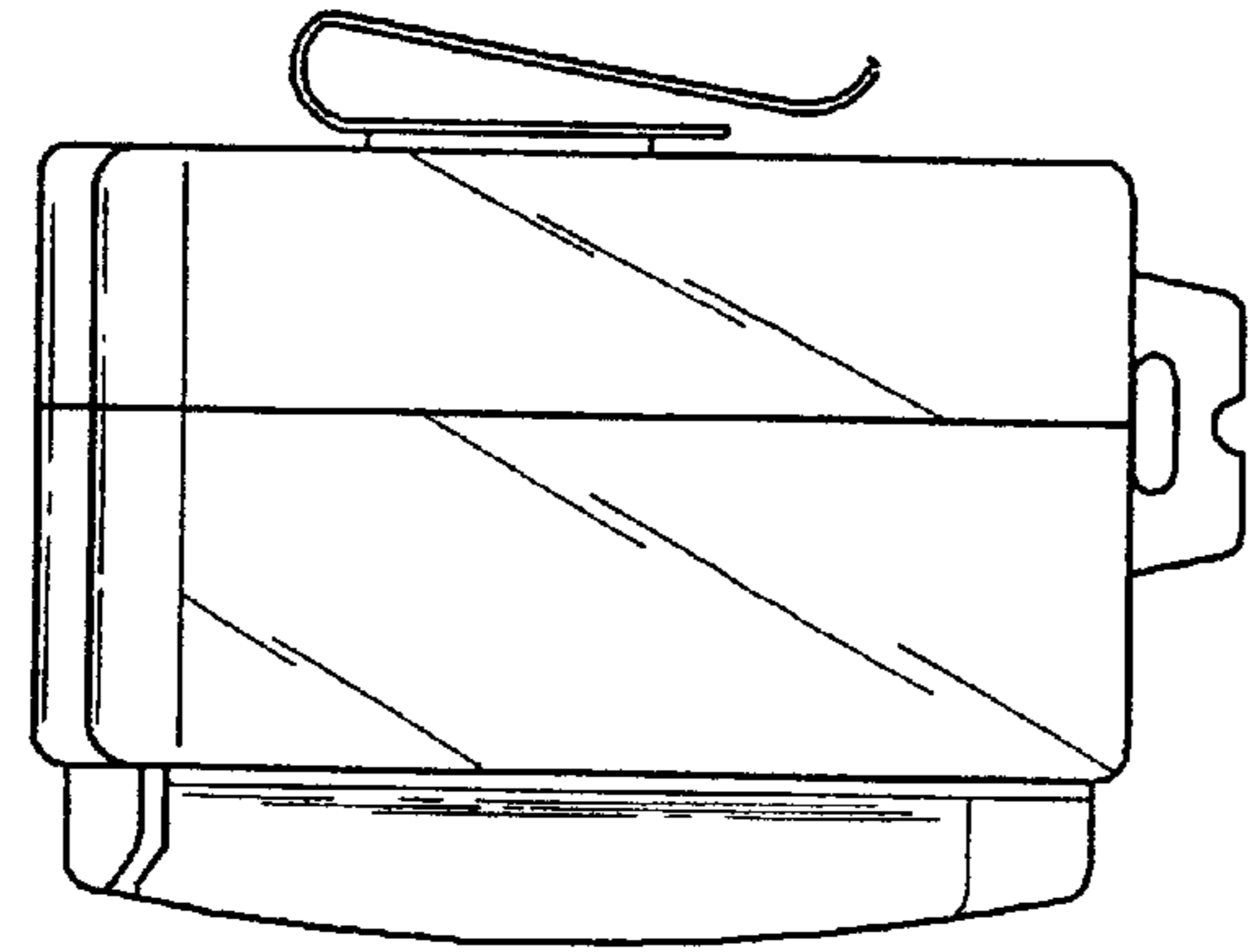


FIG. 3

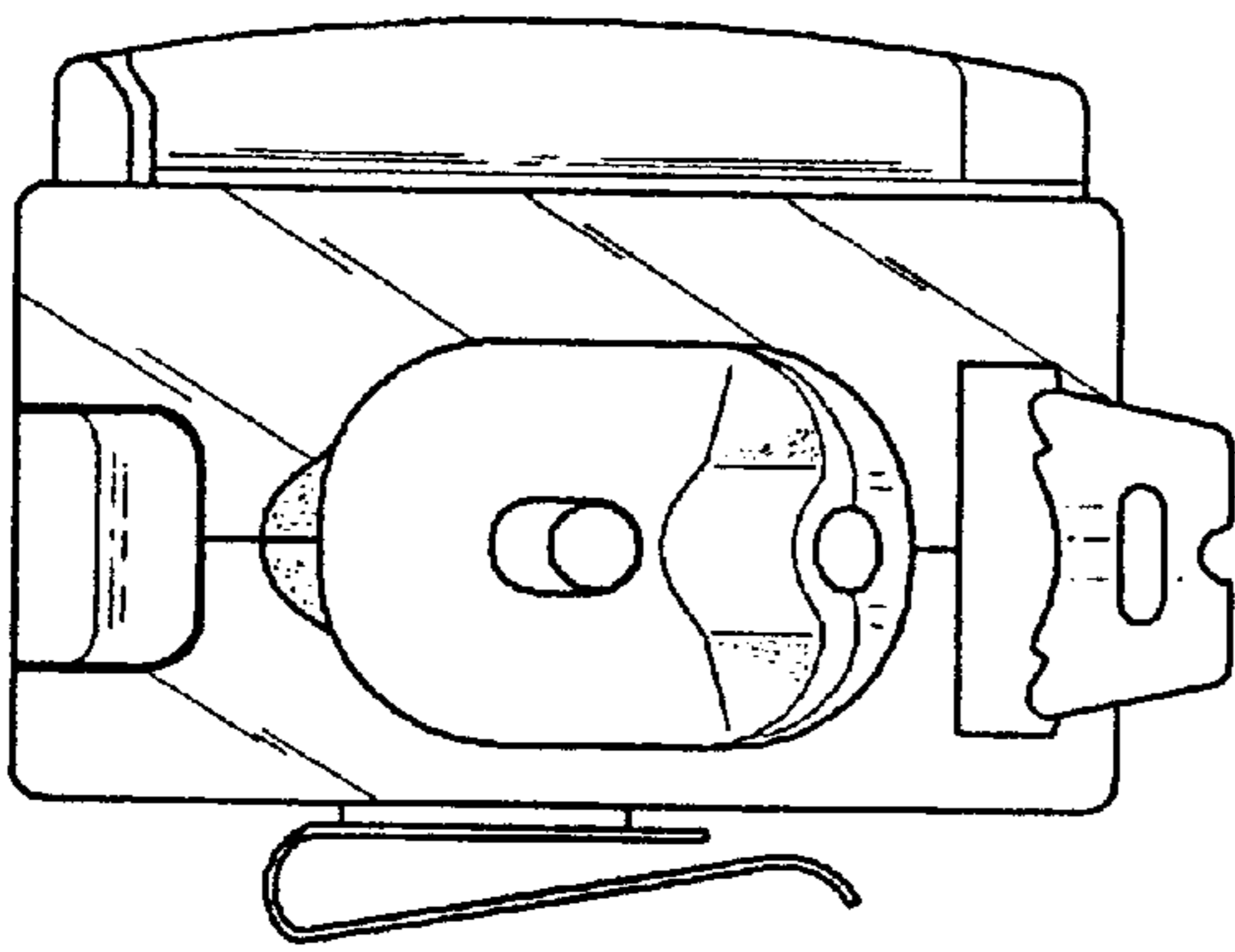


FIG. 2

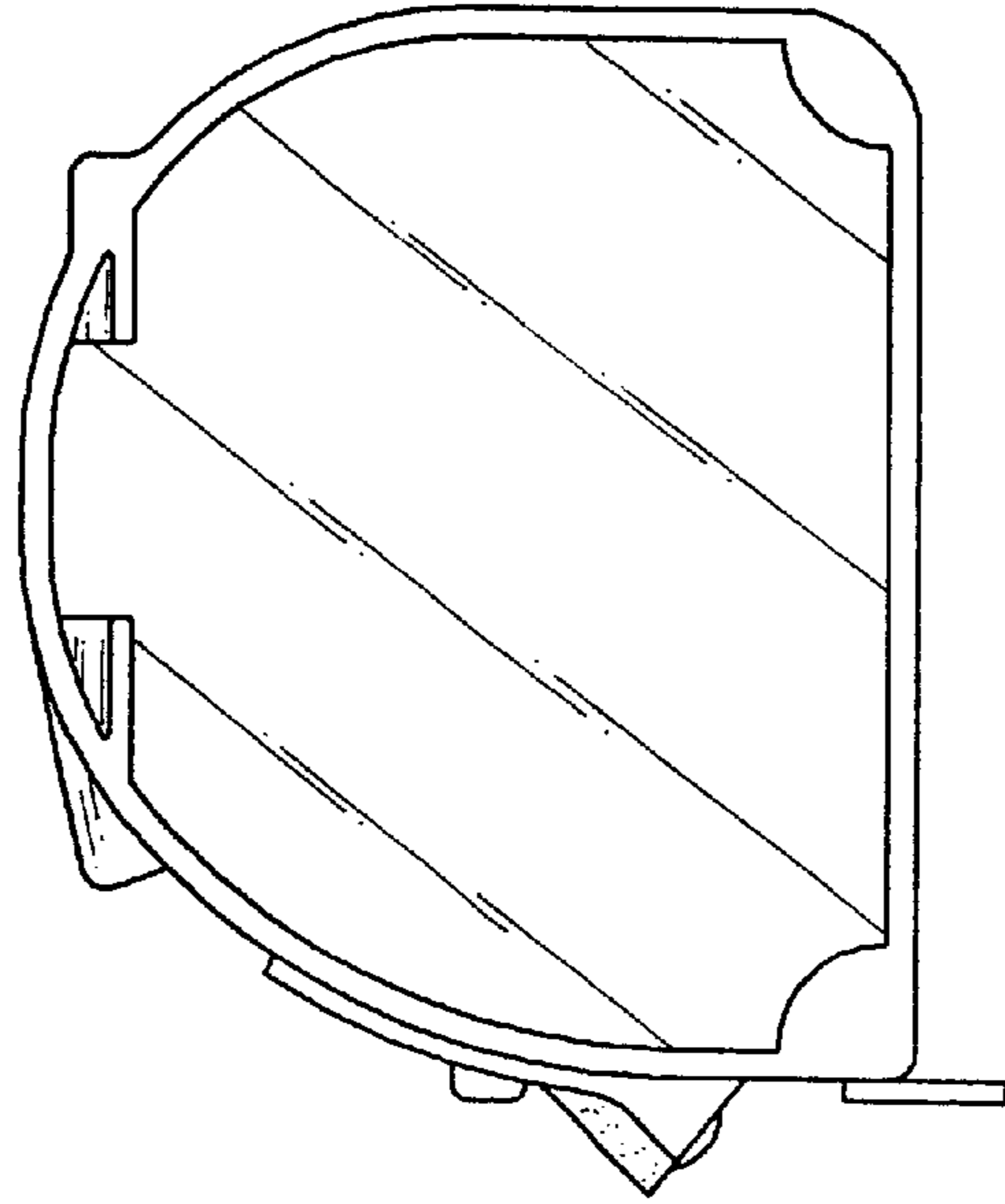


FIG. 5

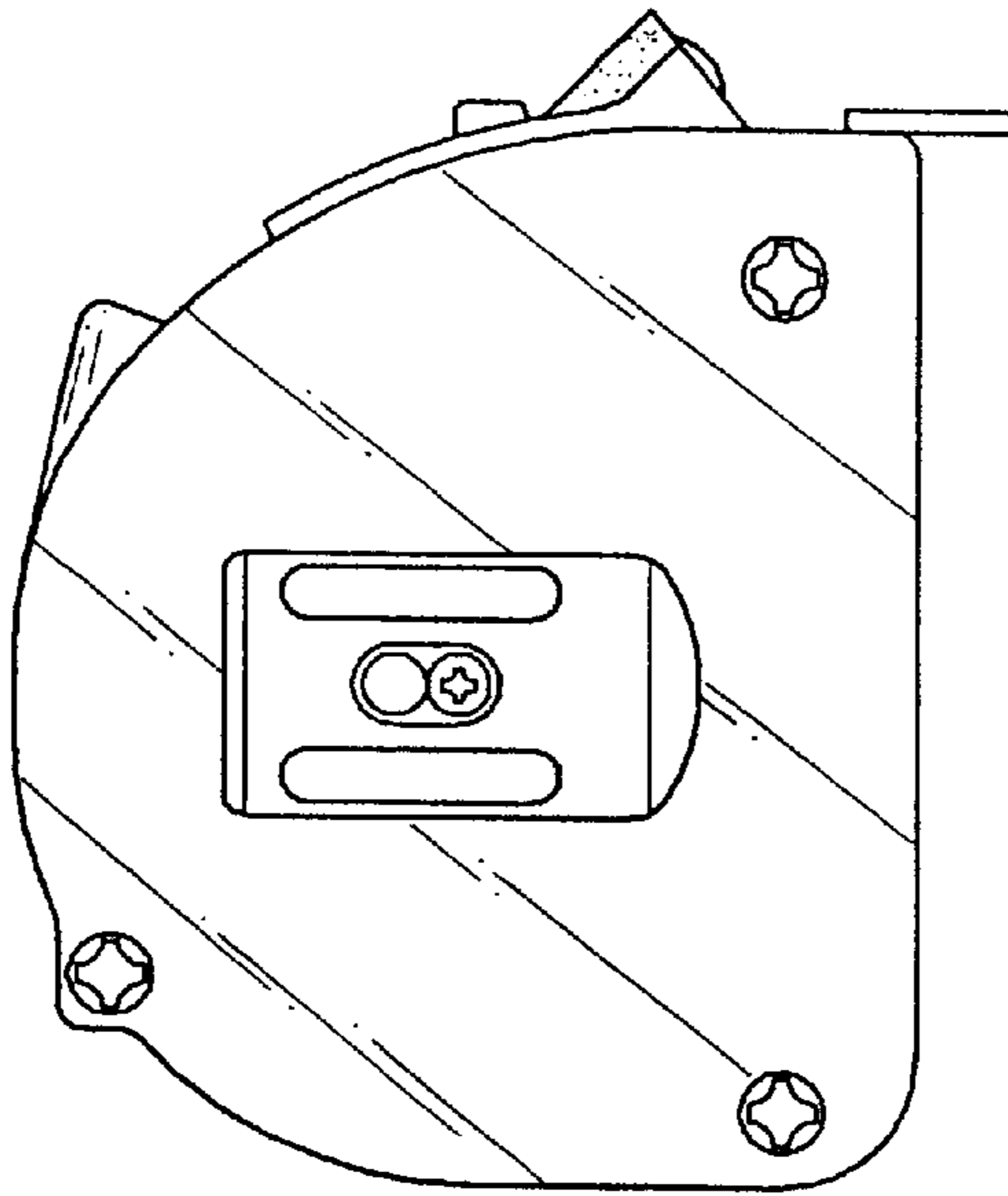


FIG. 4

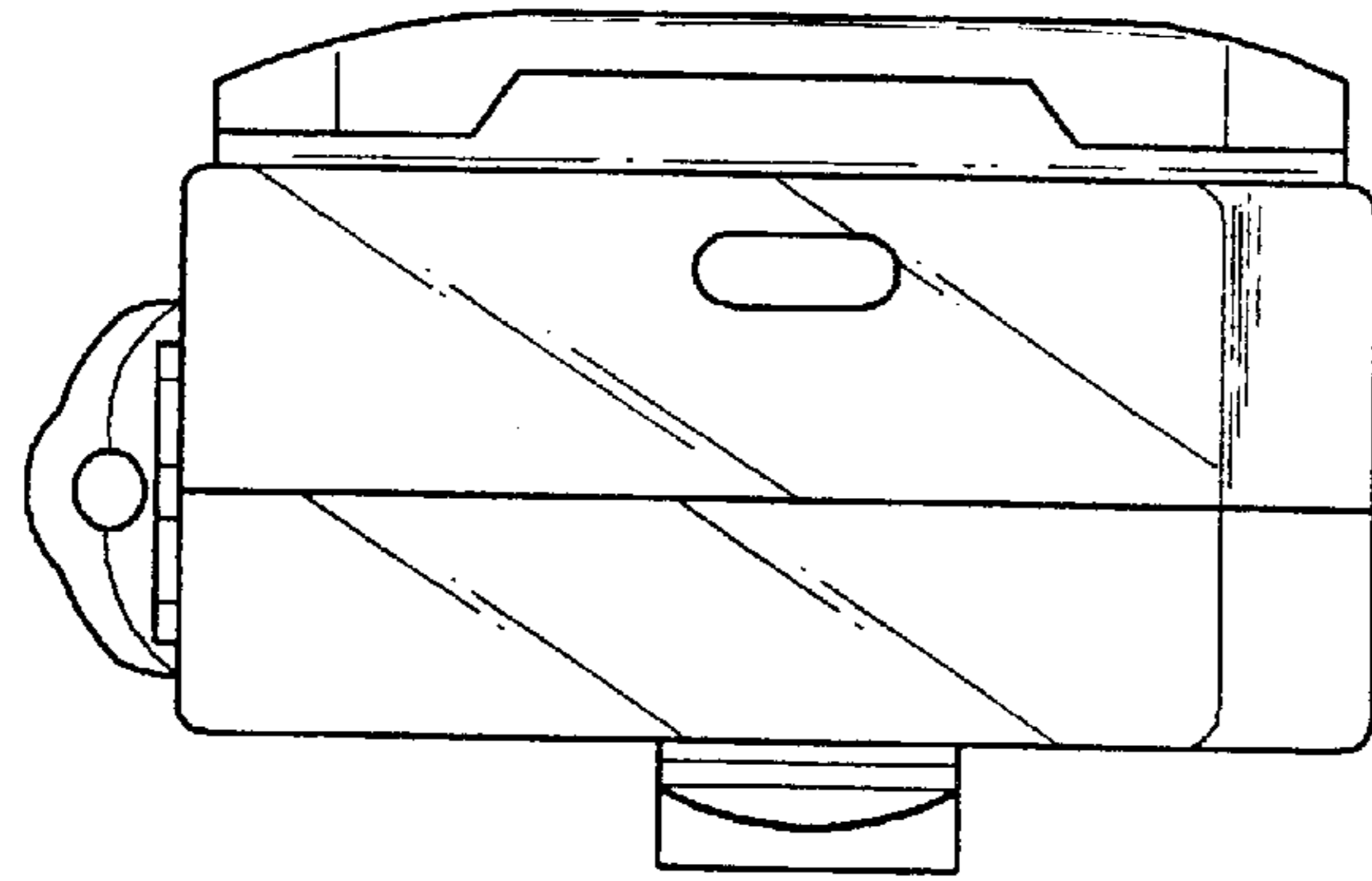


FIG. 6

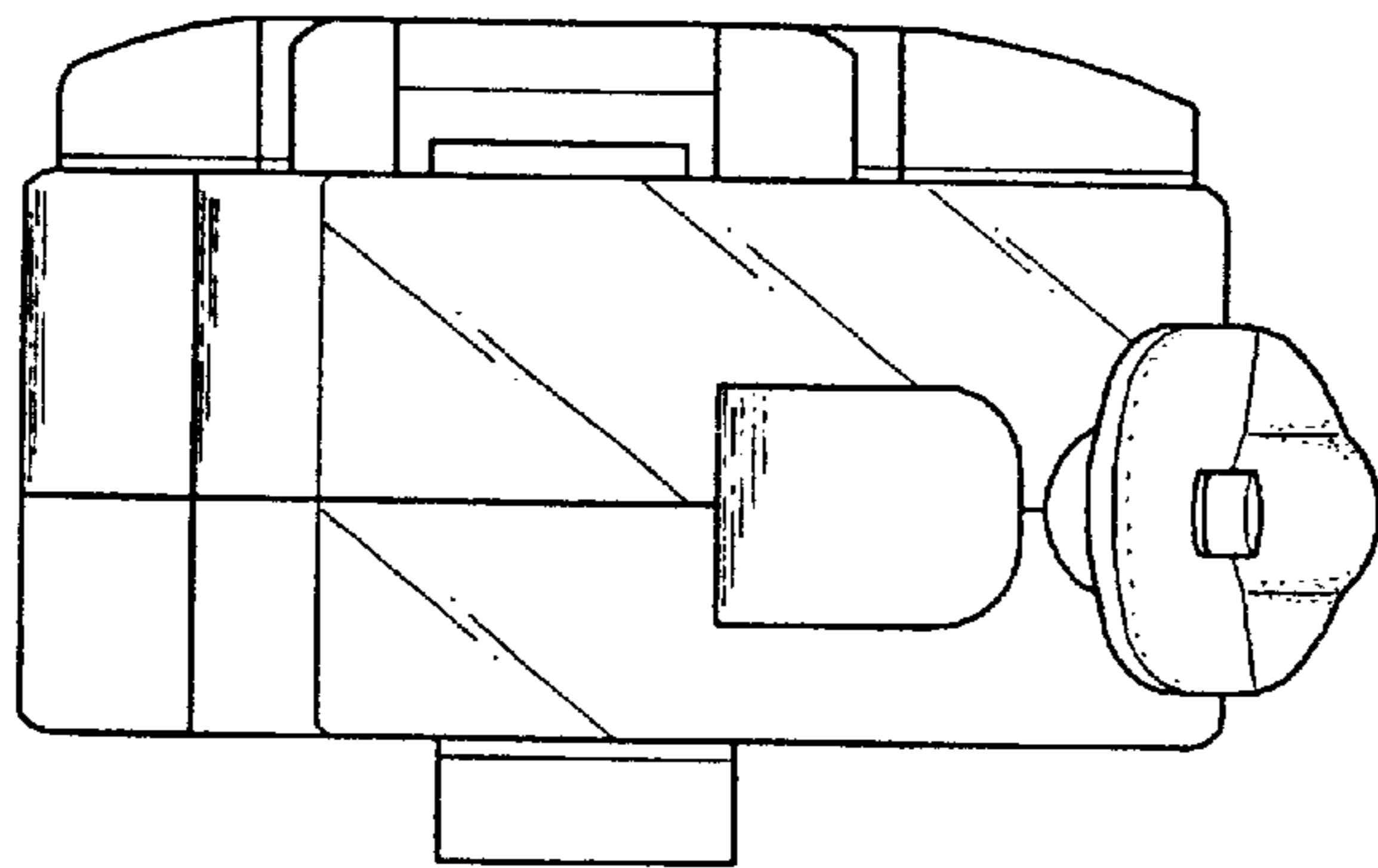


FIG. 7

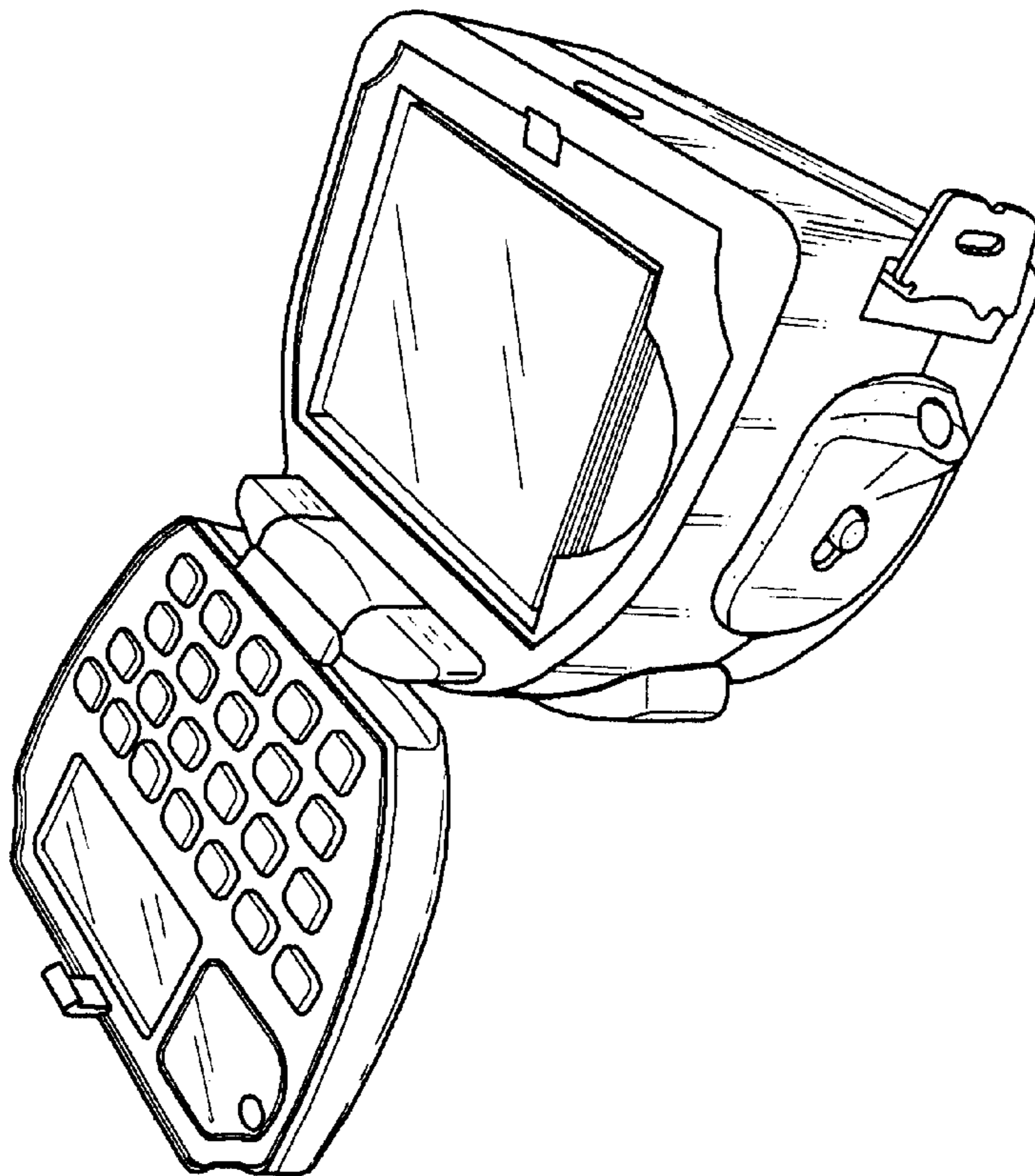


FIG. 8



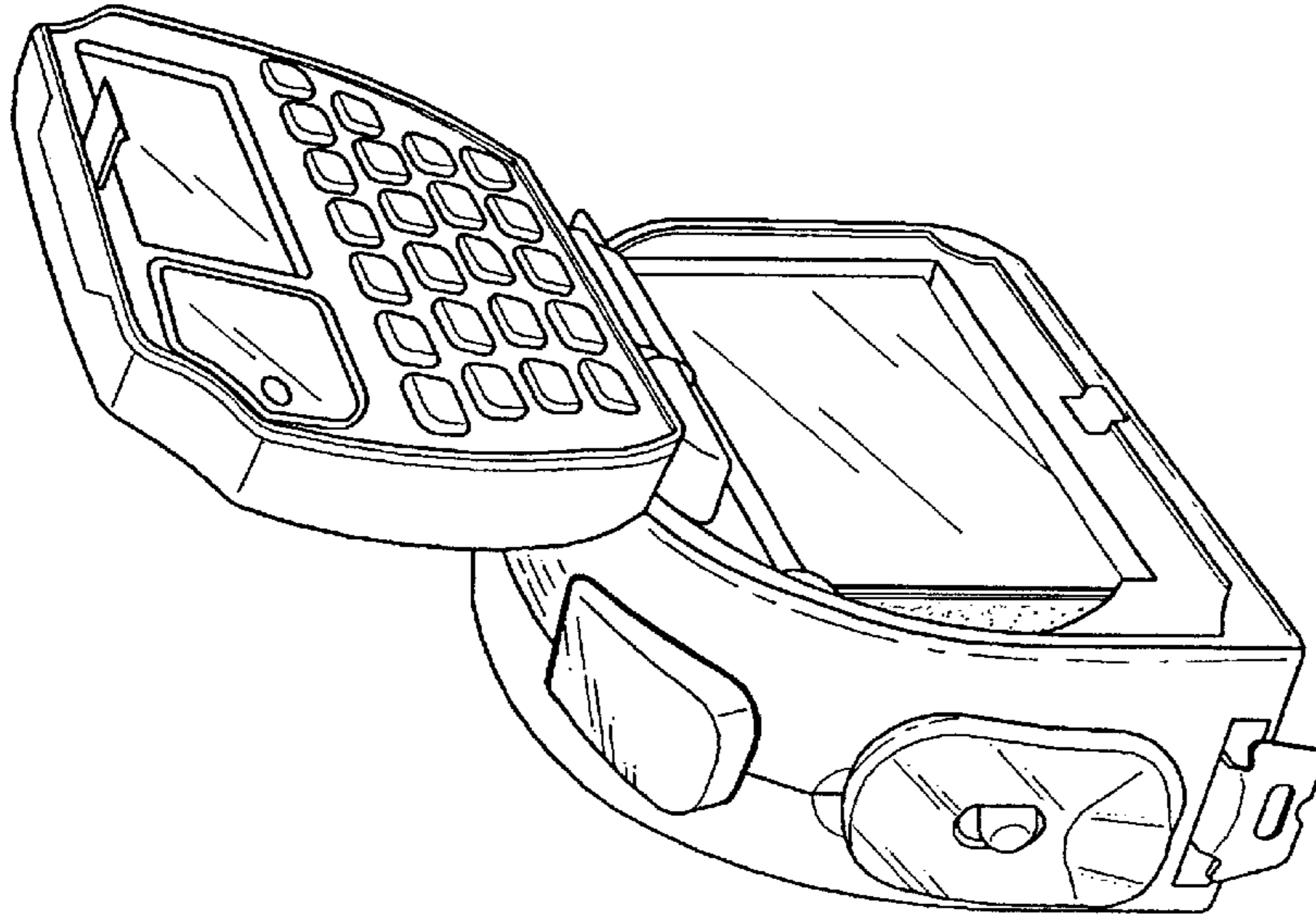


FIG. 9