



US00D489623S

(12) **United States Design Patent**  
**Weber**

(10) **Patent No.:** **US D489,623 S**

(45) **Date of Patent:** **\*\* May 11, 2004**

(54) **COMBINED CONTAINER AND CAP**  
(76) Inventor: **Heinz Weber**, 64 Gables Court,  
Beaconsfield, Quebec (CA), H9W 5H4  
(\*\*) Term: **14 Years**

D305,300 S \* 1/1990 Kraft ..... D9/529  
D306,137 S \* 2/1990 Nitta ..... D9/300  
D370,635 S \* 6/1996 Dutton ..... D9/540  
D405,373 S \* 2/1999 Crawford ..... D9/543  
D412,664 S \* 8/1999 Hirst ..... D9/424  
D415,688 S \* 10/1999 Crawford ..... D9/543

\* cited by examiner

(21) Appl. No.: **29/170,704**  
(22) Filed: **Nov. 12, 2002**

*Primary Examiner*—Ted Shooman  
*Assistant Examiner*—Daniel Bui

**Related U.S. Application Data**

(62) Division of application No. 29/157,889, filed on Mar. 27,  
2002.  
(51) **LOC (7) Cl.** ..... **09-03**  
(52) **U.S. Cl.** ..... **D9/529; D9/338**  
(58) **Field of Search** ..... D9/337, 338, 339,  
D9/499, 529, 530, 537, 539, 540, 542,  
543, 548, 549, 573, 574, 575; 206/37, 38,  
204, 438, 527; 215/200, 231, 260, 270,  
271, 316, 329, 400; 220/200, 213, 288,  
289, 290; 221/208, 312 R; 222/173, 175,  
465.1, 544, 548, 555, 575

(57) **CLAIM**

An ornamental design for a combined container and cap, as  
shown and described.

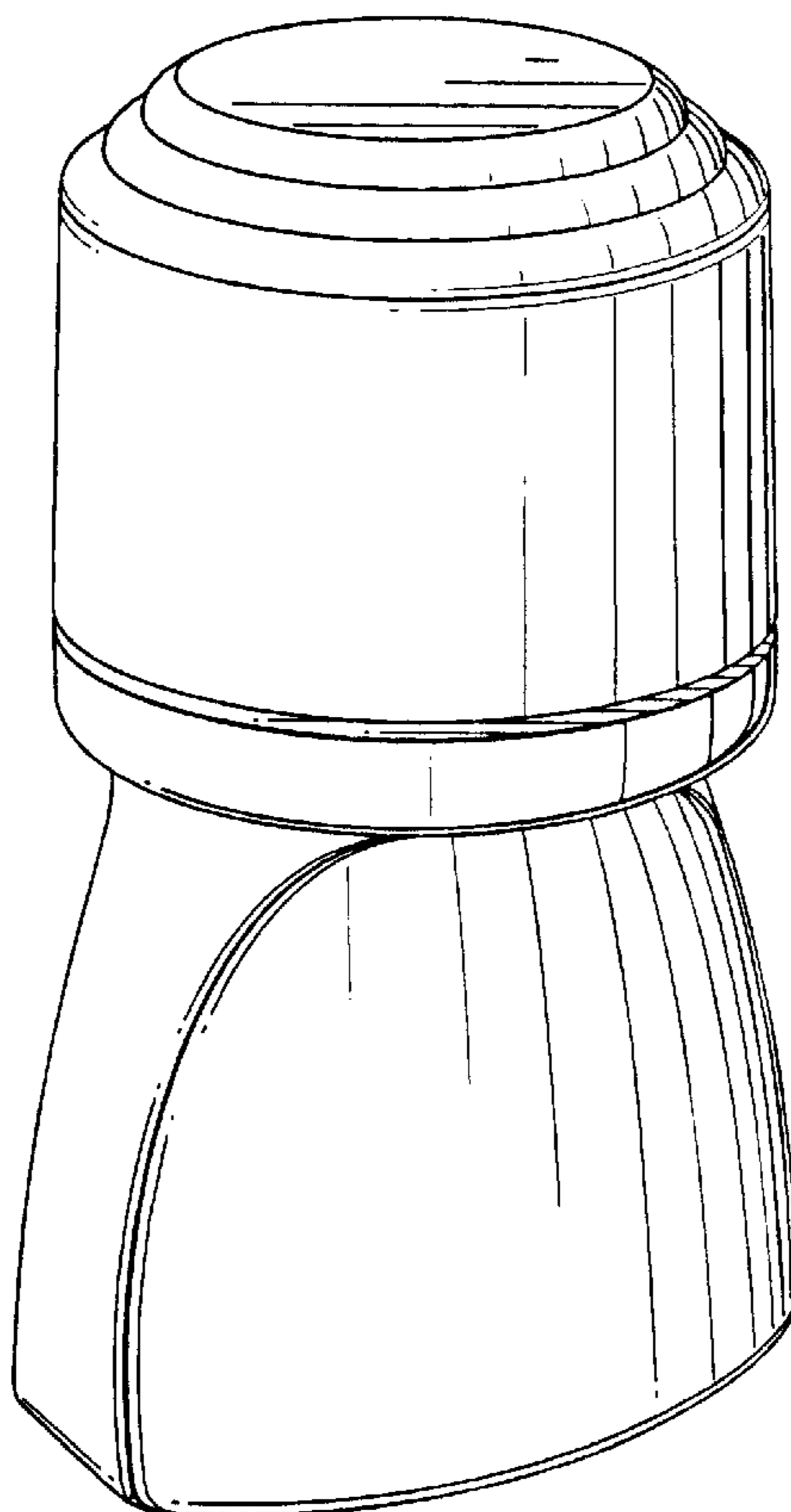
**DESCRIPTION**

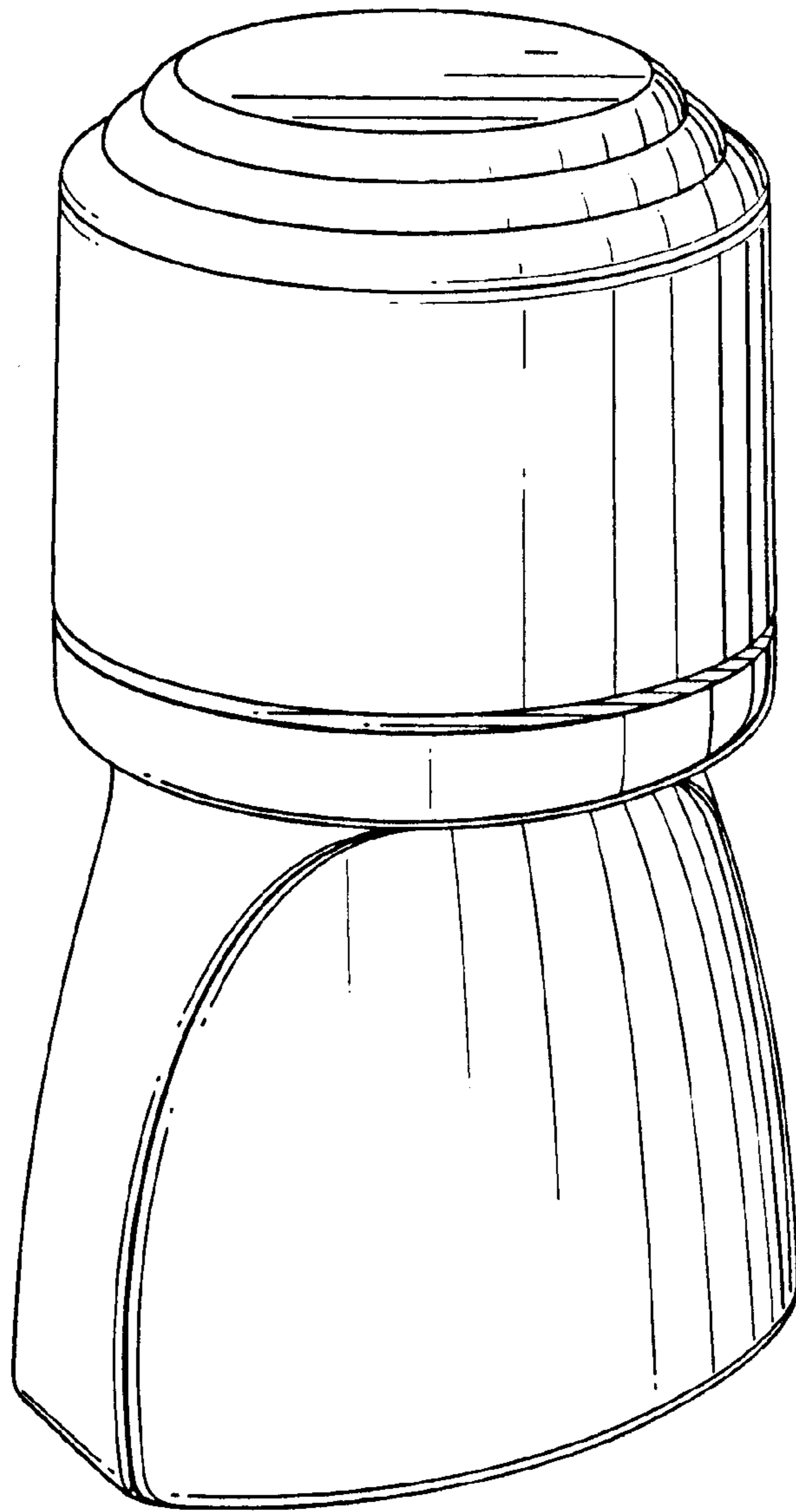
FIG. 1 is a perspective view of the combined container and  
cap of the instant design;  
FIG. 2 is a front elevational view thereof;  
FIG. 3 is a first end elevational view thereof;  
FIG. 4 is a top plan view thereof;  
FIG. 5 is a rear elevational view thereof;  
FIG. 6 is a second end elevational view thereof; and,  
FIG. 7 is a bottom plan view thereof.  
The broken line showing of environment is for illustrative  
purposes only and forms no part of the claimed design.

(56) **References Cited**  
**U.S. PATENT DOCUMENTS**

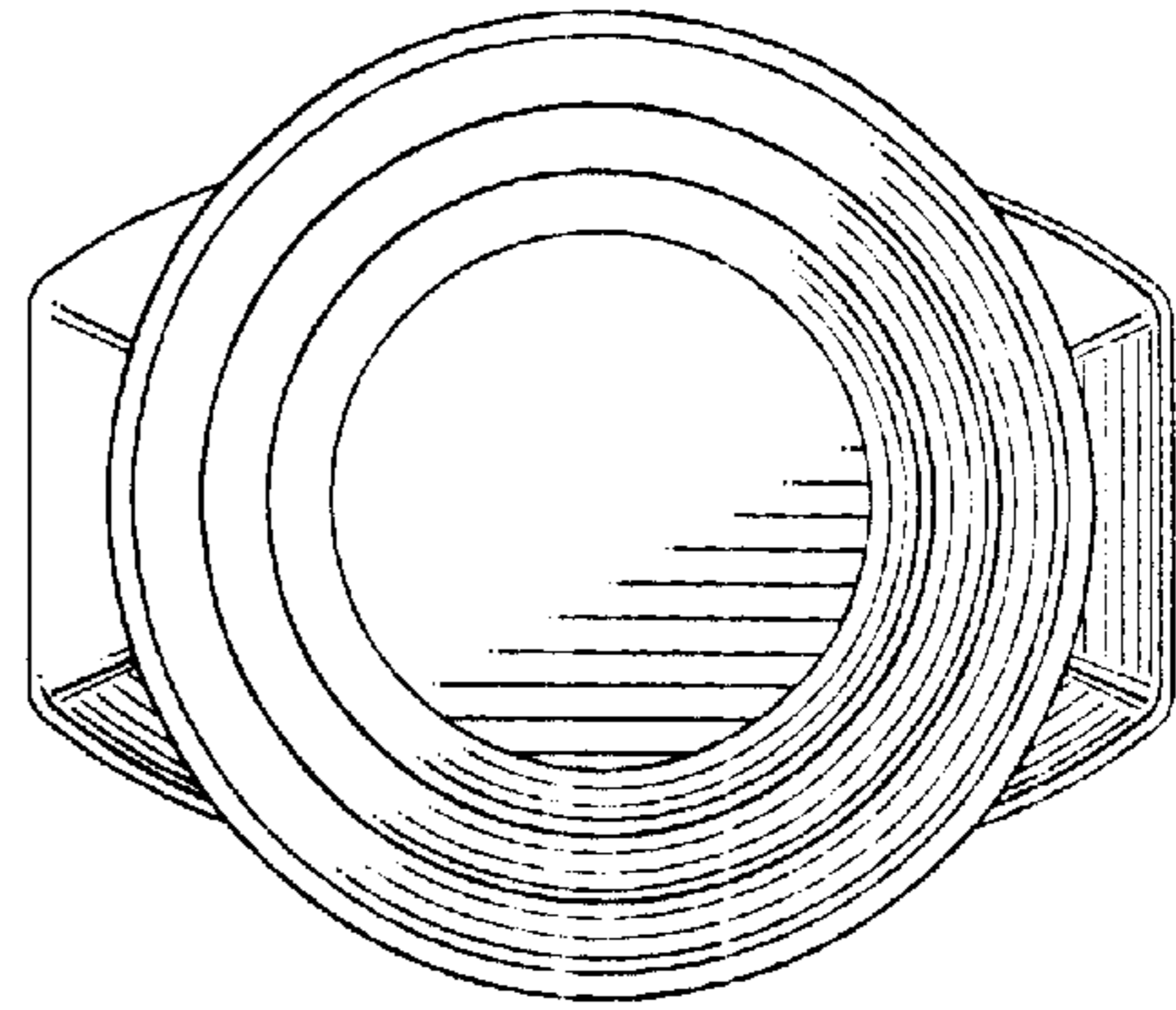
D266,146 S \* 9/1982 Morris ..... D9/338

**1 Claim, 3 Drawing Sheets**

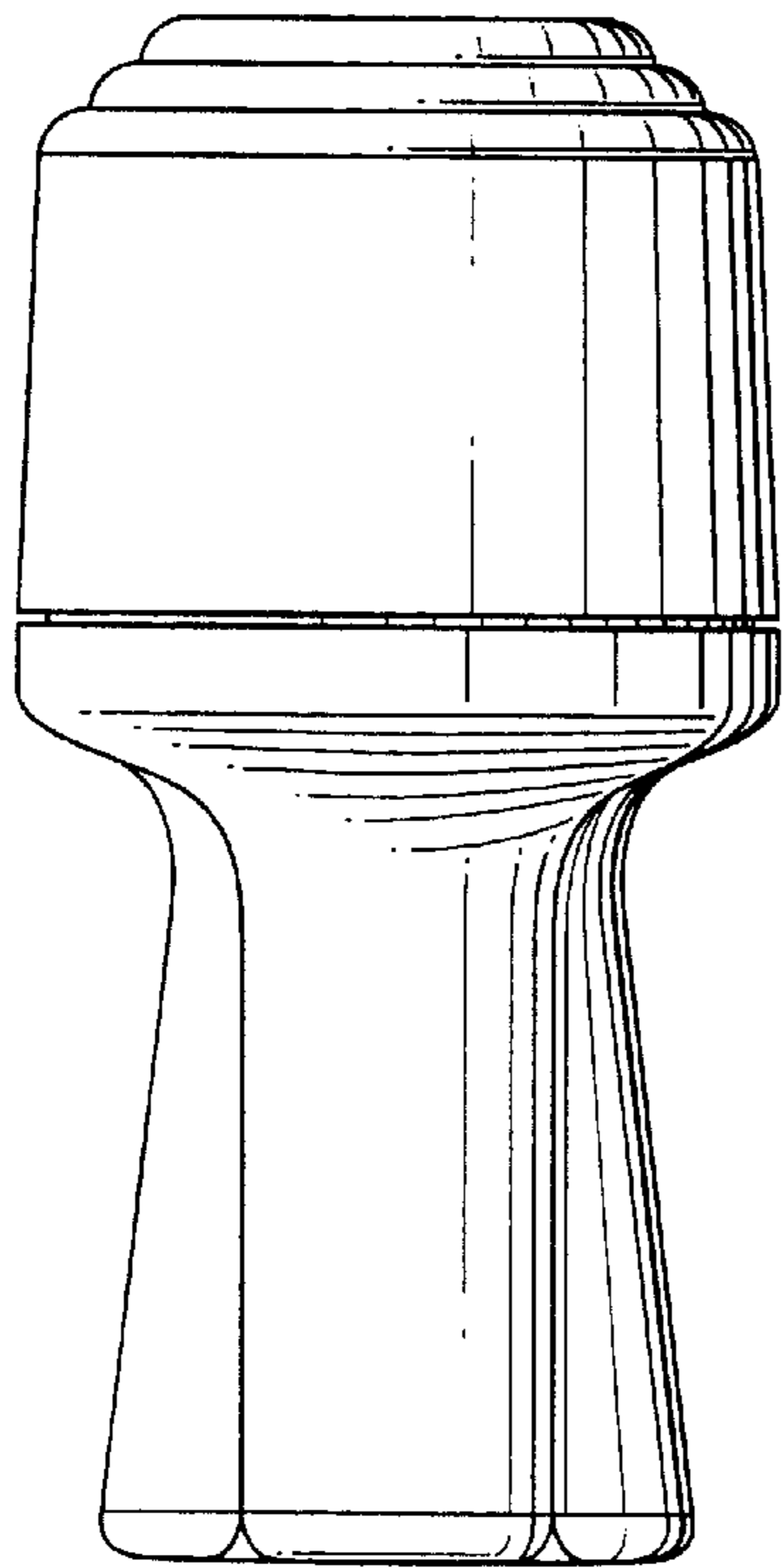




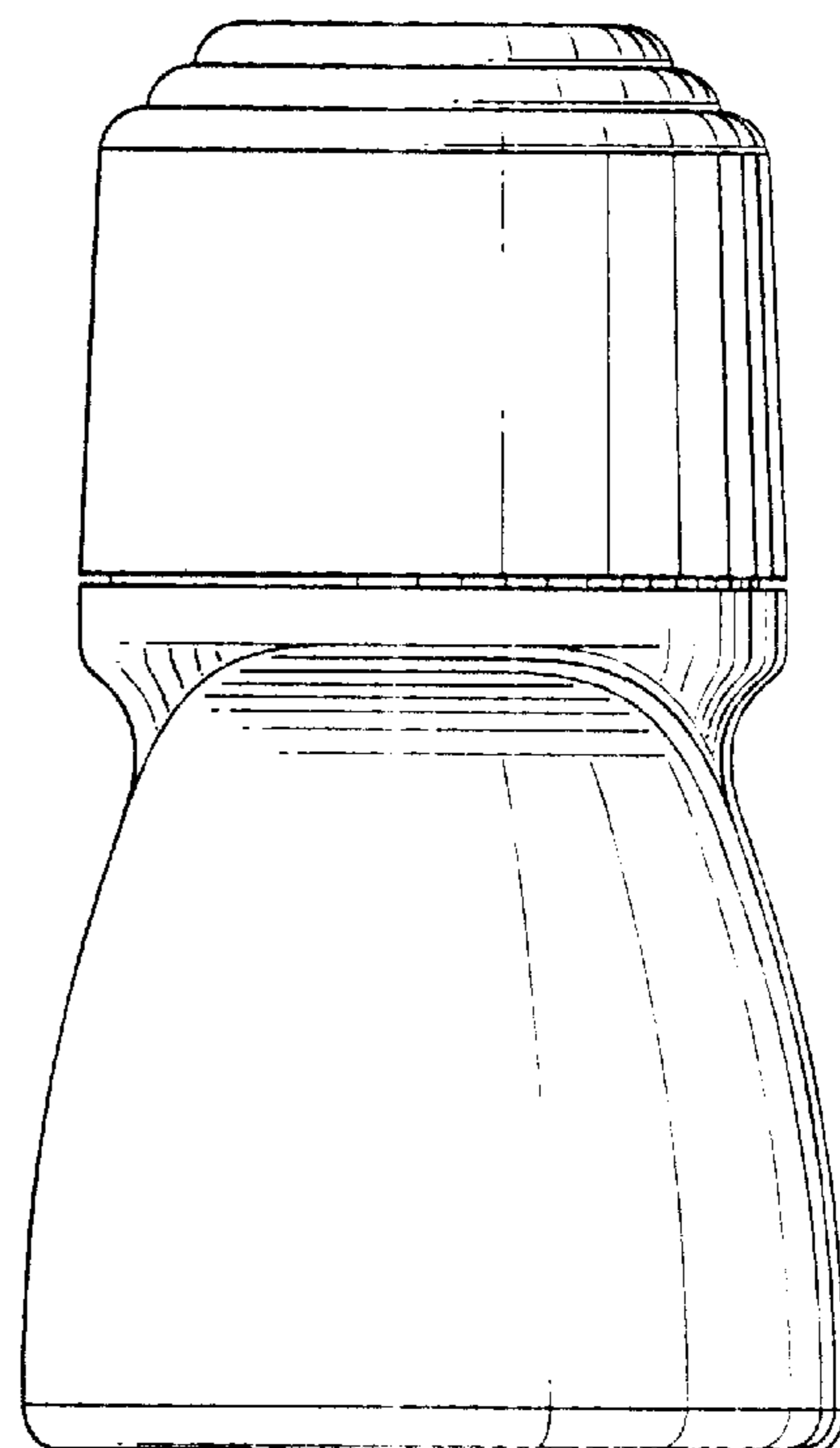
***Fig-1***



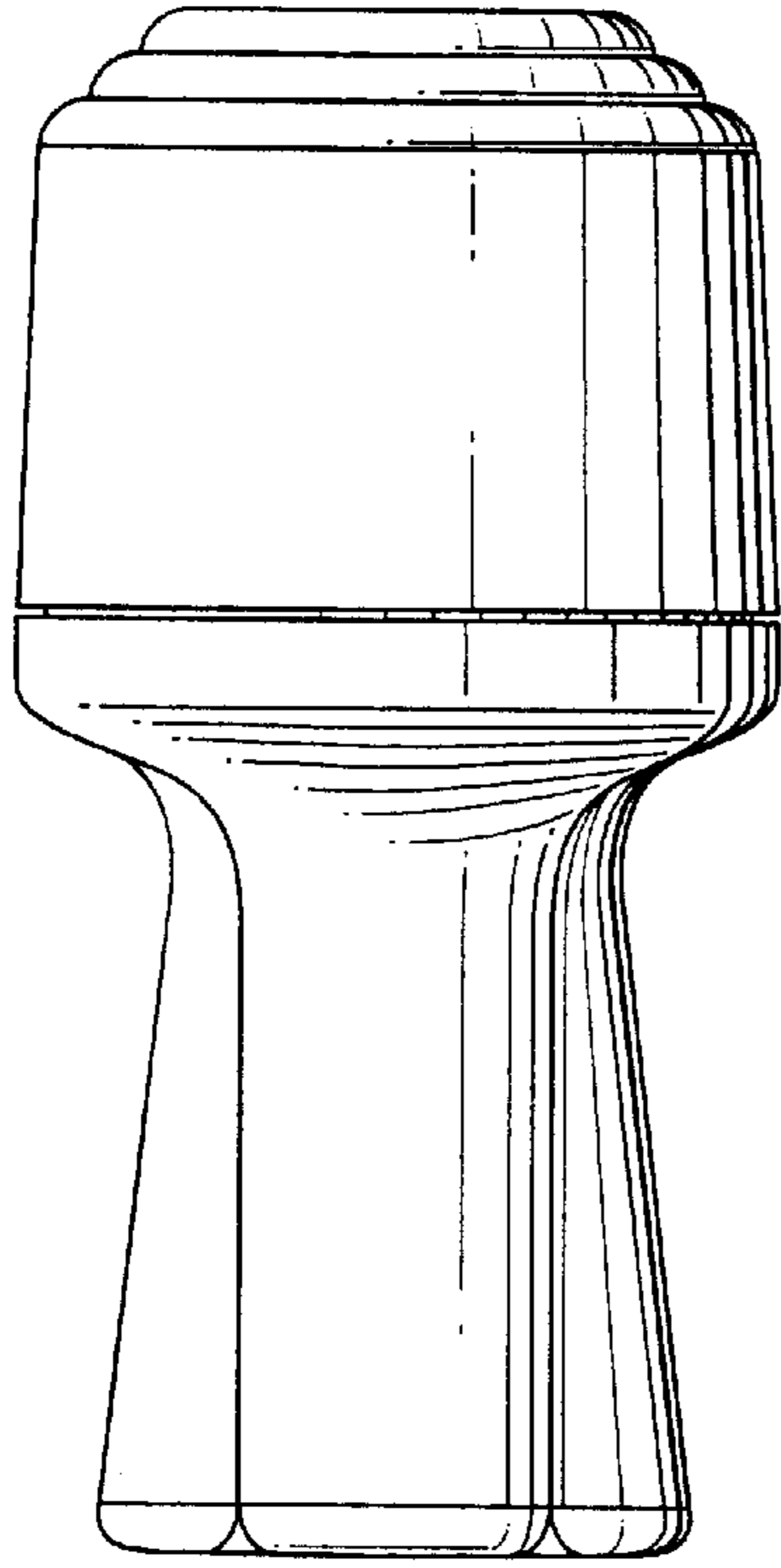
**Fig-4**



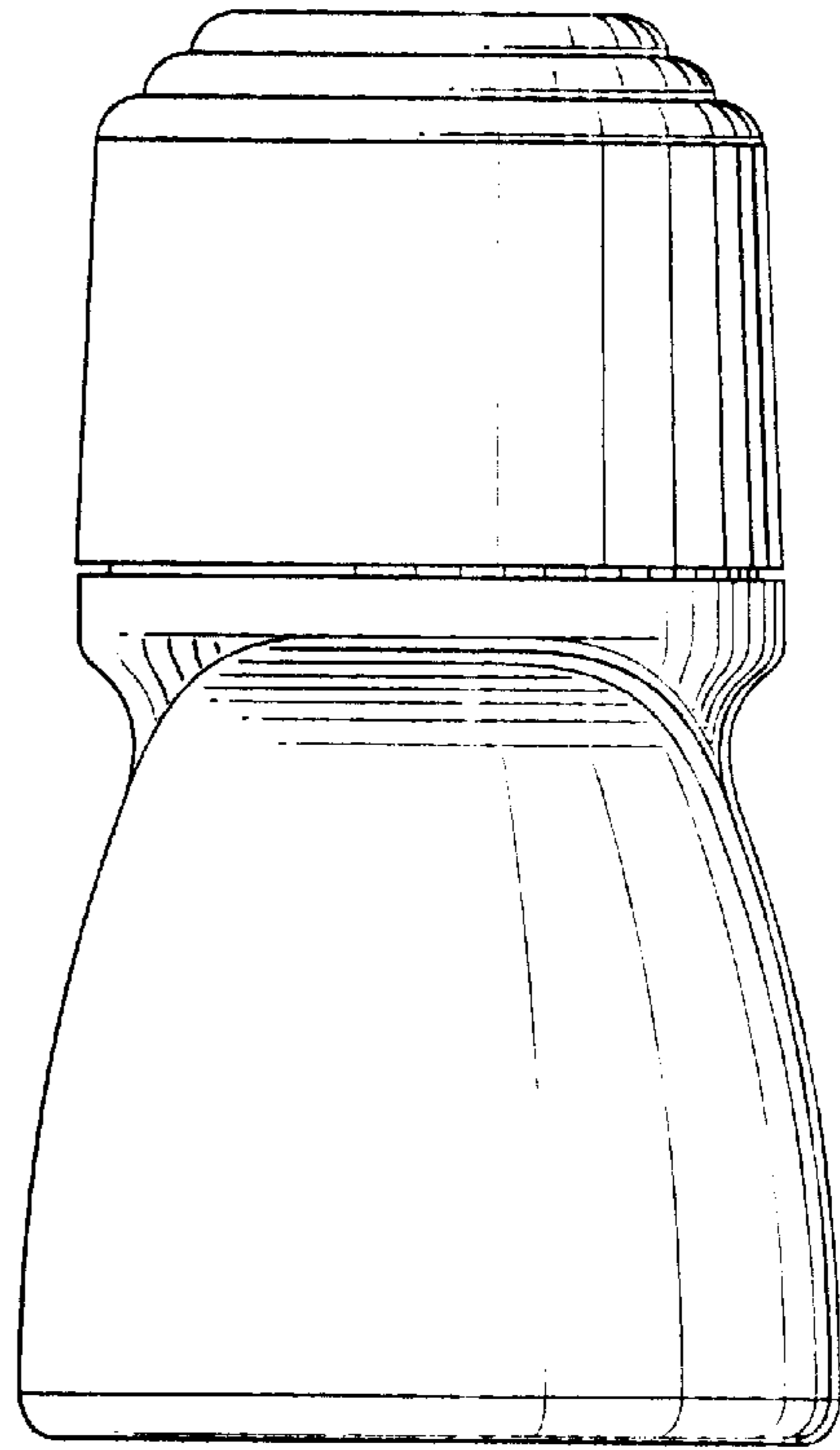
**Fig-3**



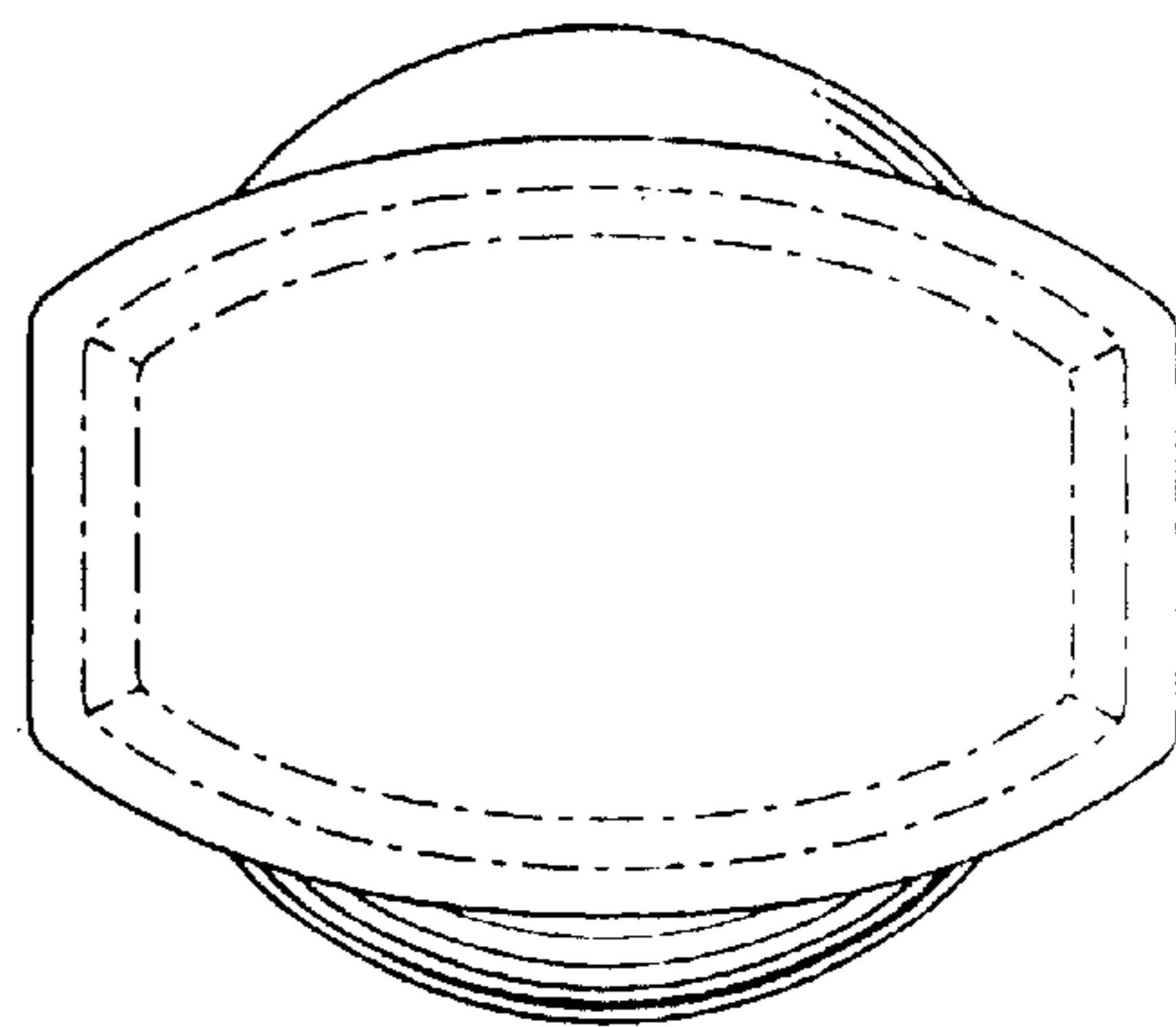
**Fig-2**



**Fig-6**



**Fig-5**



**Fig-7**