



US00D489621S

(12) **United States Design Patent**  
**Grisdale et al.**

(10) **Patent No.:** **US D489,621 S**

(45) **Date of Patent:** **\*\* May 11, 2004**

(54) **PORTION OF A BOTTLE**

(75) Inventors: **Marianne B. Grisdale**, Chicago, IL (US); **Elliott Hsu**, Chicago, IL (US); **Brent W. Lindberg**, Saint Charles, IL (US); **Mark D. Schneider**, Saint Charles, IL (US)

(73) Assignee: **S. C. Johnson & Son, Inc.**, Racine, WI (US)

(\*\*) Term: **14 Years**

(21) Appl. No.: **29/178,755**

(22) Filed: **Mar. 31, 2003**

**Related U.S. Application Data**

(63) Continuation-in-part of application No. 29/161,358, filed on May 28, 2002, now Pat. No. Des. 480,308.

(51) **LOC (7) Cl.** ..... **09-01**

(52) **U.S. Cl.** ..... **D9/516; D9/521; D9/549; D9/552; D9/575**

(58) **Field of Search** ..... **D9/516, 520-521, D9/530, 544-545, 549, 552, 565, 571-575; D32/5; D24/121-123, 197**

(56) **References Cited**

**U.S. PATENT DOCUMENTS**

4,054,219 A	10/1977	Young et al.	
D282,909 S	3/1986	Biesecker	
D286,928 S	11/1986	Fitzwater	
4,872,225 A	10/1989	Wagner	
D321,131 S	10/1991	Wiseman et al.	
D321,132 S	10/1991	Wiseman et al.	
D327,011 S	* 6/1992	Wefler	..... D9/558

5,280,764 A	1/1994	Levinrad	
D353,543 S	12/1994	Matsumoto	
D356,263 S	3/1995	Matsumoto	
D388,708 S	1/1998	Monaghan	
D400,786 S	11/1998	Kokenge et al.	
D400,795 S	11/1998	de Baschmakoff	
D405,009 S	2/1999	Kokenge et al.	
D405,694 S	2/1999	Kokenge et al.	
D452,159 S	12/2001	Belser et al.	
D455,080 S	* 4/2002	Crawford	..... D9/560
6,386,392 B1	5/2002	Argentier et al.	
D458,139 S	6/2002	Moore et al.	
D480,308 S	* 10/2003	Grisdale et al.	..... D9/549 X

\* cited by examiner

*Primary Examiner*—Philip S. Hyder  
*Assistant Examiner*—Carol Rademaker

(57) **CLAIM**

The ornamental design for a portion of a bottle, as shown and described.

**DESCRIPTION**

In a preferred embodiment, the nature of this product is a portion of a bottle suitable for holding and dispensing cleaning solution.

FIG. 1 is a top, right, front perspective view of a portion of a bottle embodying our new design;

FIG. 2 is a front elevational view thereof;

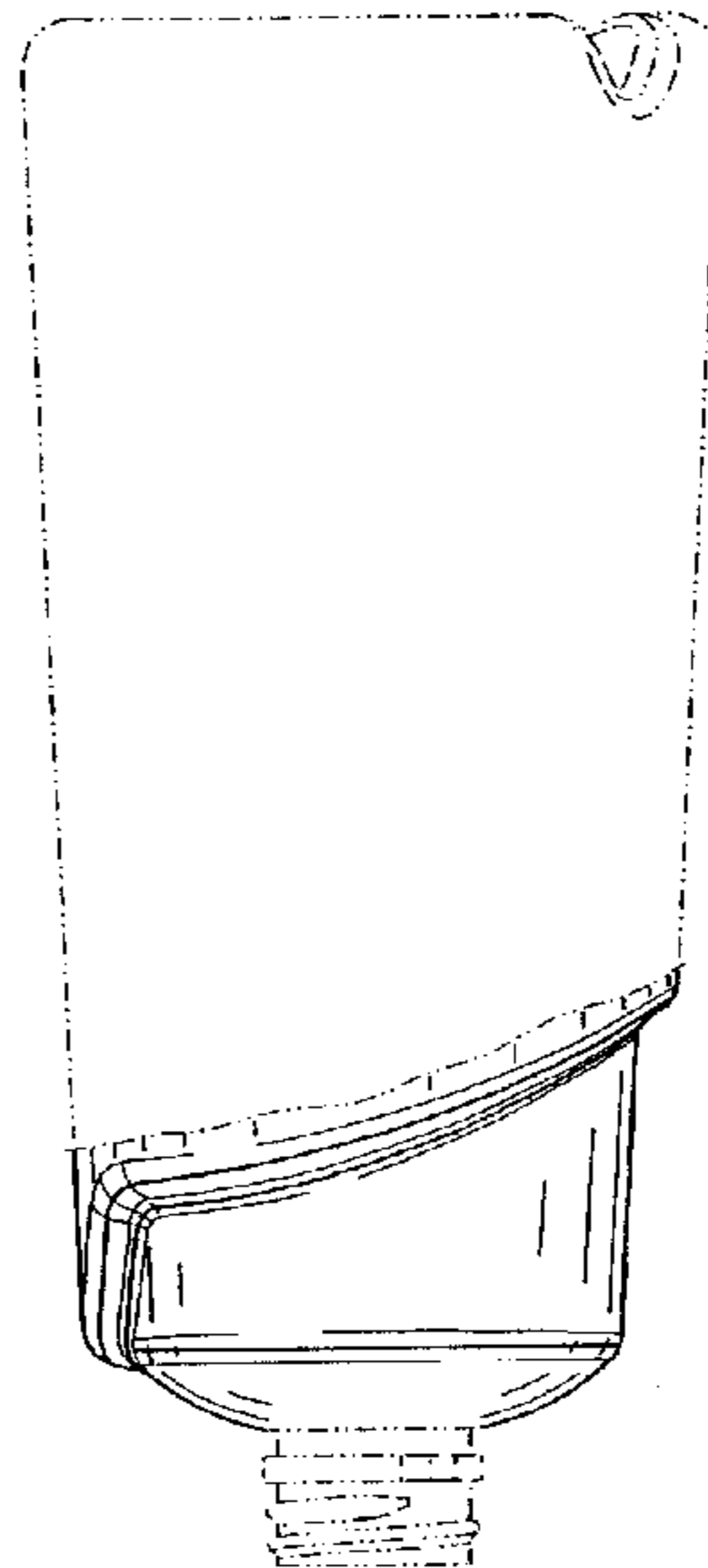
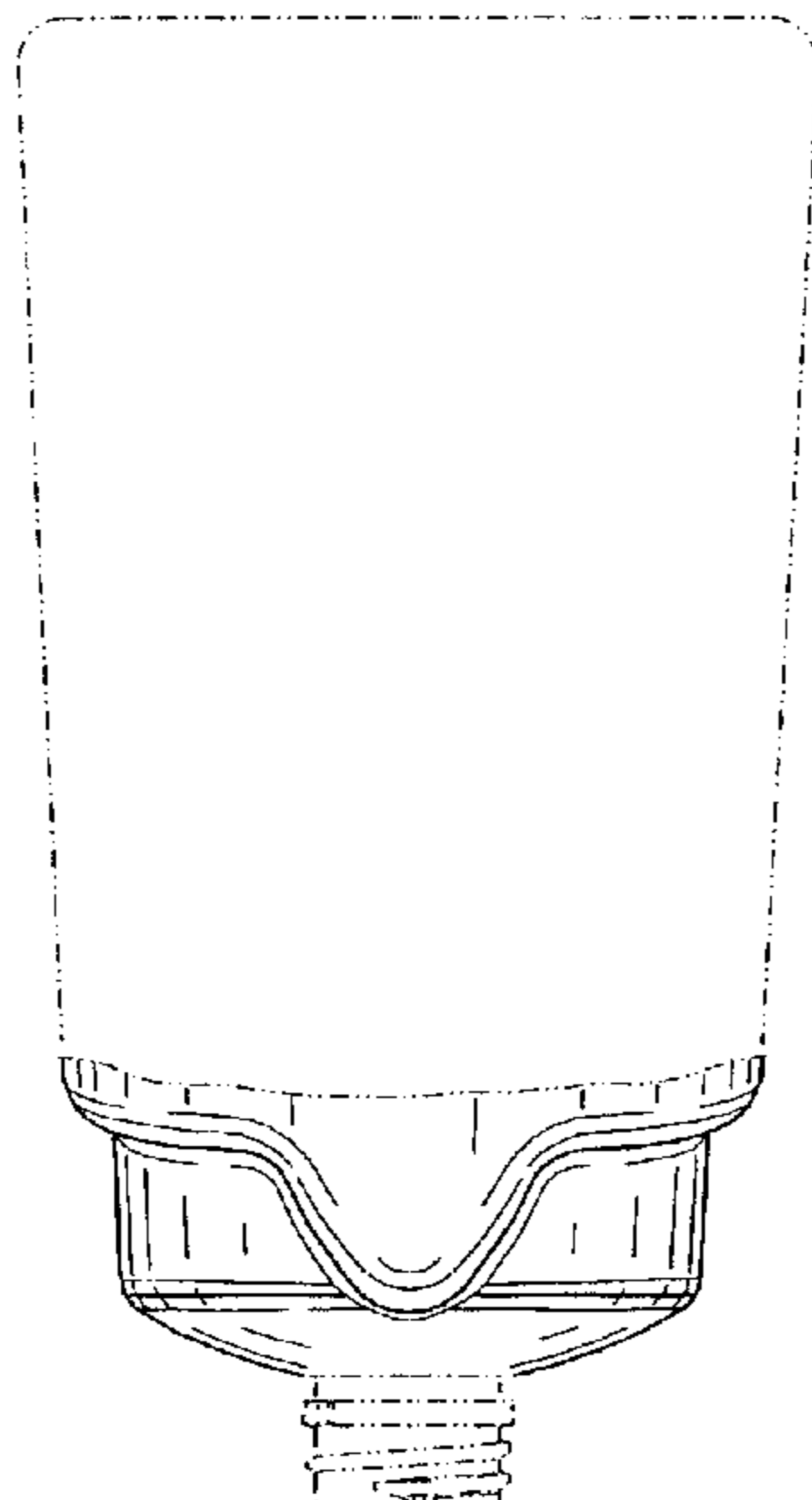
FIG. 3 is a right side elevational view thereof, the left side being a mirror image of the right side shown except for the unclaimed threads;

FIG. 4 is a rear elevational view thereof; and,

FIG. 5 is a bottom plan view thereof.

The broken lines shown in FIGS. 1-5 are for illustrative purposes only and form no part of the claimed design.

**1 Claim, 2 Drawing Sheets**



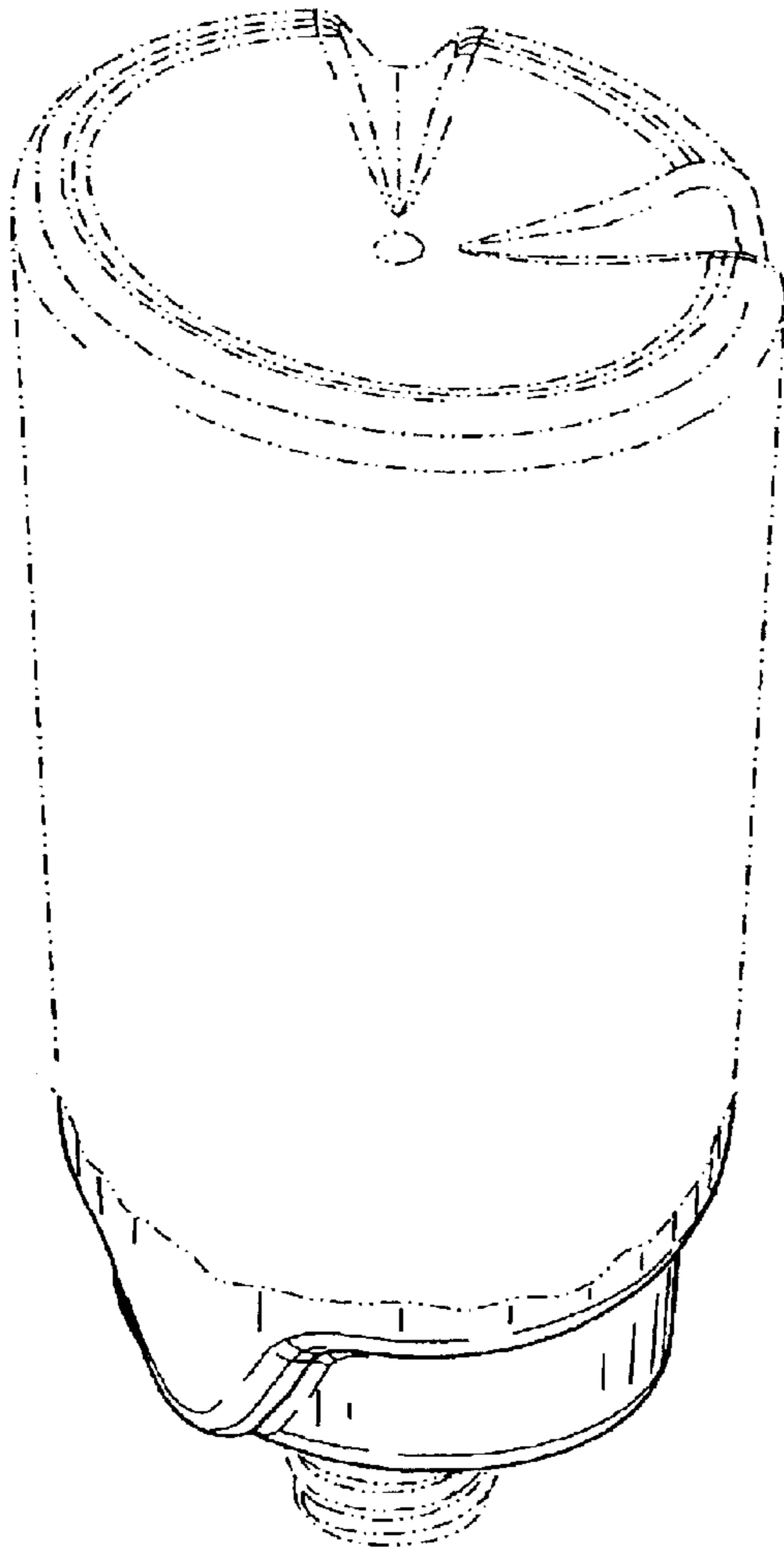


FIG. 1

FIG. 2

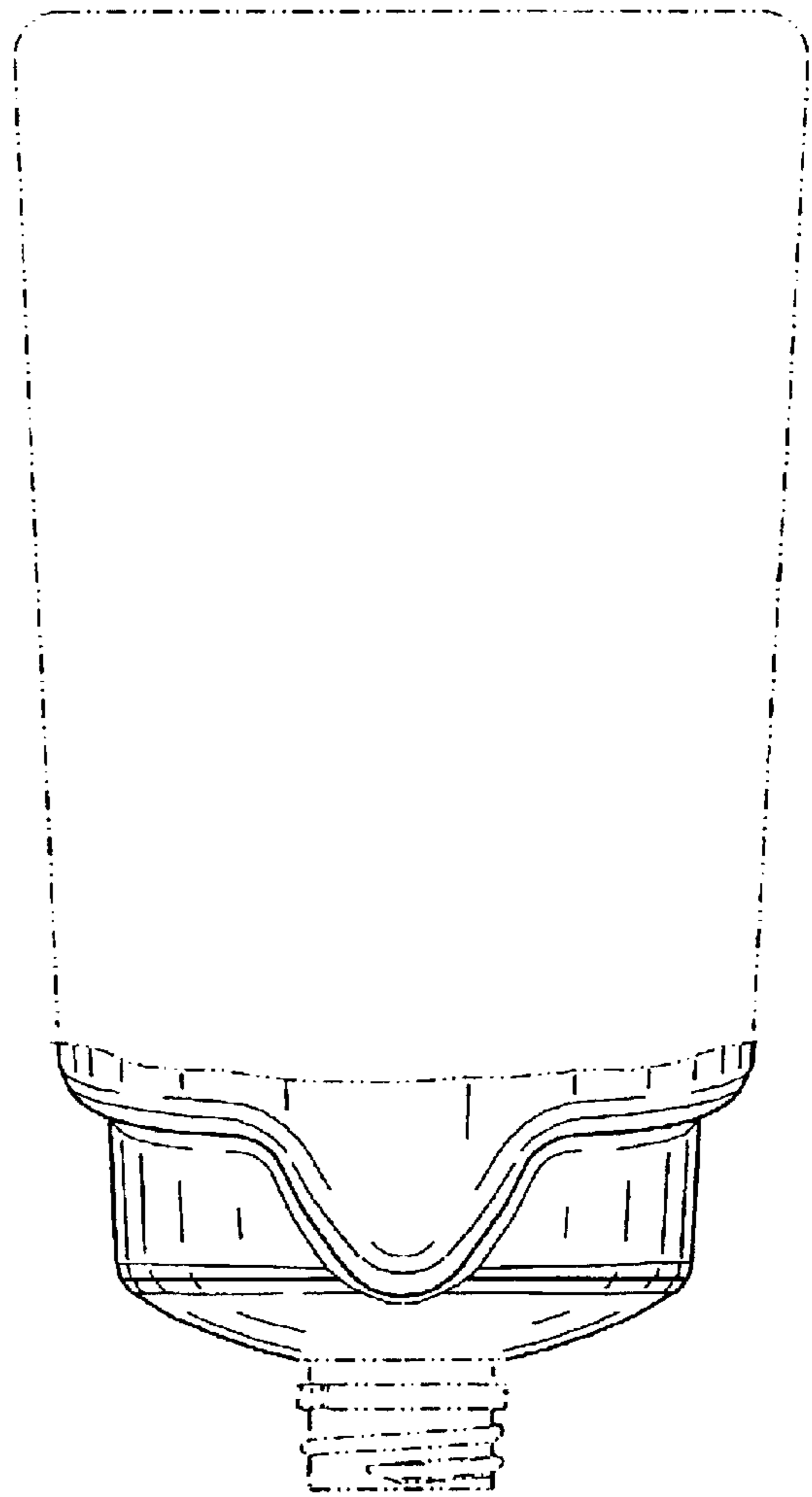


FIG. 3

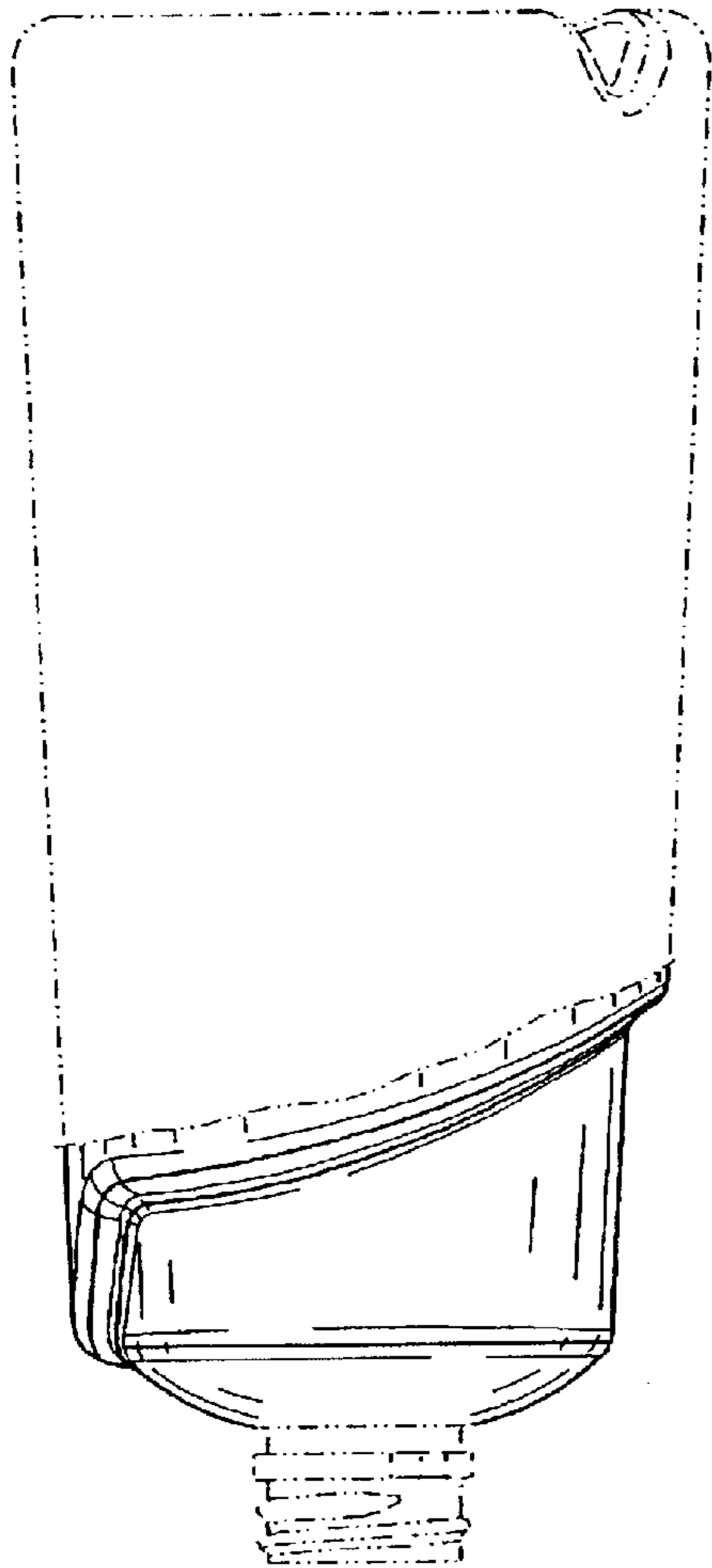


FIG. 4

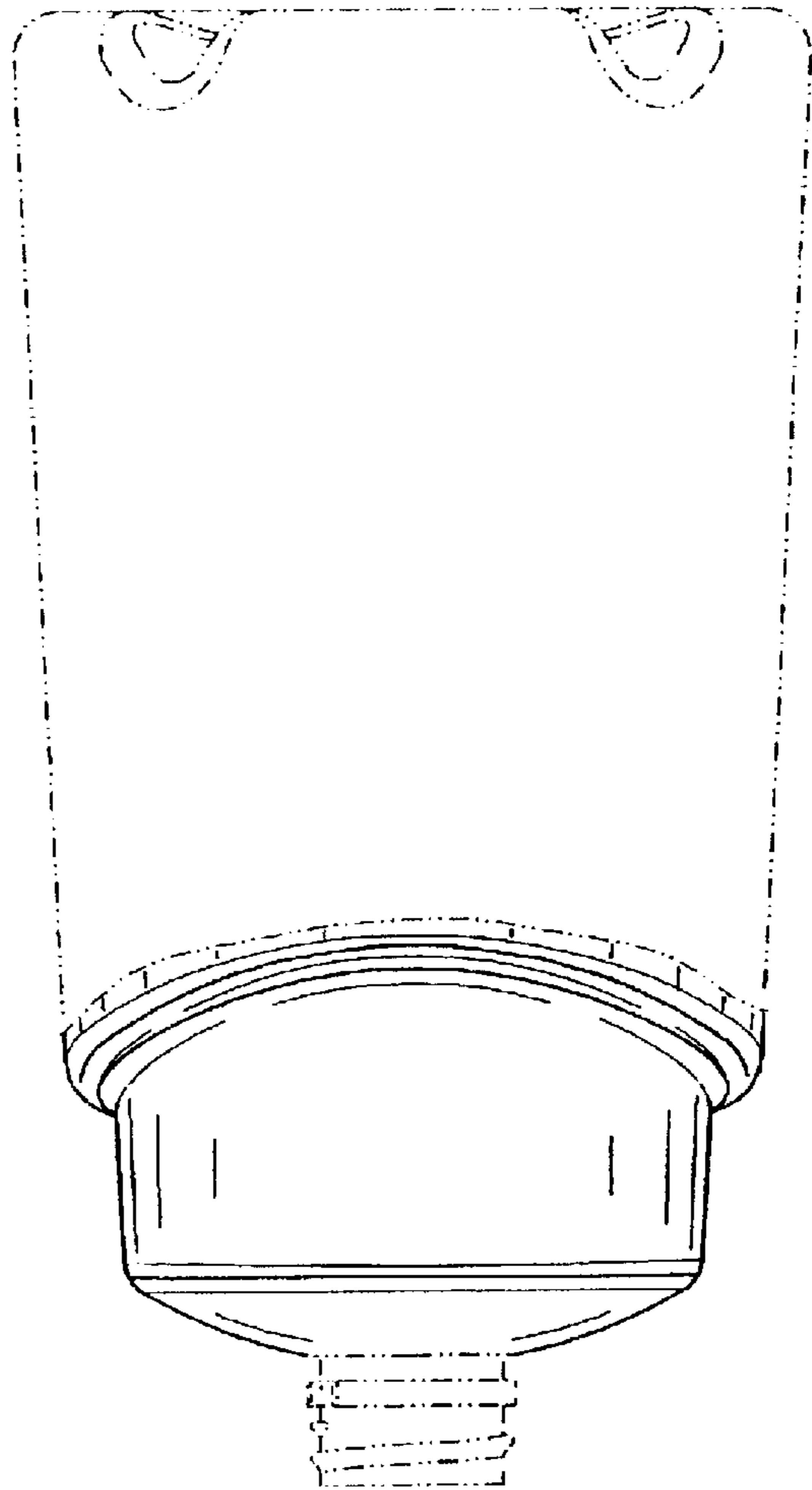


FIG. 5

