



US00D489618S

(12) **United States Design Patent**
Startek

(10) **Patent No.:** **US D489,618 S**

(45) **Date of Patent:** **** May 11, 2004**

(54) **GROCERY BAG HOLDER**

(76) Inventor: **Richard Startek**, 975 Queenston Road,
Stoney Creek, Ontario (CA), L8G 1B8

(**) Term: **14 Years**

(21) Appl. No.: **29/174,118**

(22) Filed: **Jan. 13, 2003**

(51) **LOC (7) Cl.** **09-07**

(52) **U.S. Cl.** **D9/455; D9/434**

(58) **Field of Search** D9/434, 455; 294/137,
294/158, 159, 162, 165, 166, 170, 87.1;
383/6, 13, 23; 16/114 R

(56) **References Cited**

U.S. PATENT DOCUMENTS

D363,024 S * 10/1995 Martinez D9/434
5,836,634 A * 11/1998 Finelman 294/159
D447,952 S * 9/2001 Valkovitch D9/455

* cited by examiner

Primary Examiner—Louis S. Zarfaz
Assistant Examiner—Gregory Andoll

(57) **CLAIM**

The ornamental design for a grocery bag holder, as shown.

DESCRIPTION

FIG. 1 is a top plan view of a grocery bag holder showing my new design;

FIG. 2 is a side elevational view of the grocery bag holder shown in FIG. 1;

FIG. 3 is a left side end elevational view of the grocery bag holder shown in FIG. 1;

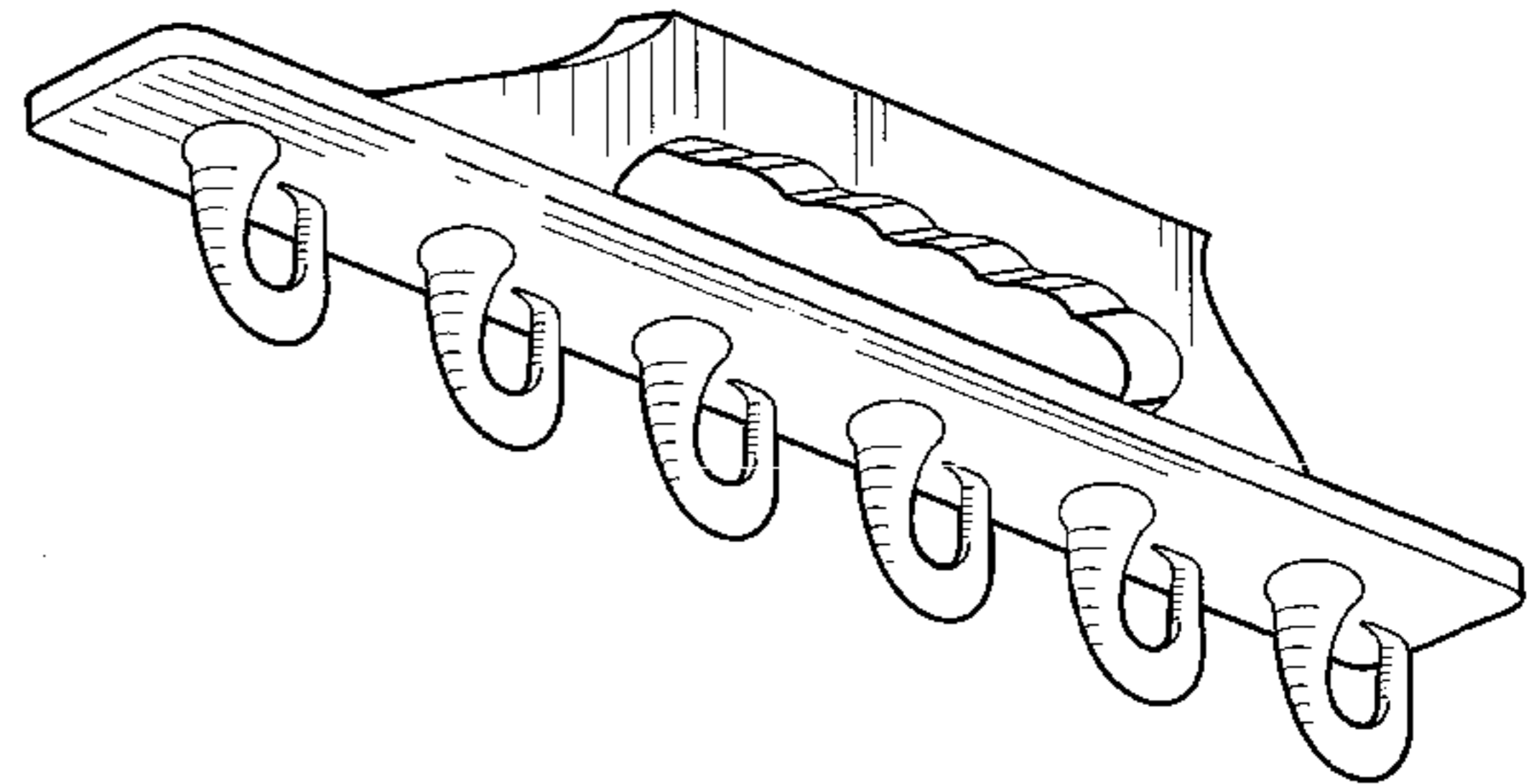
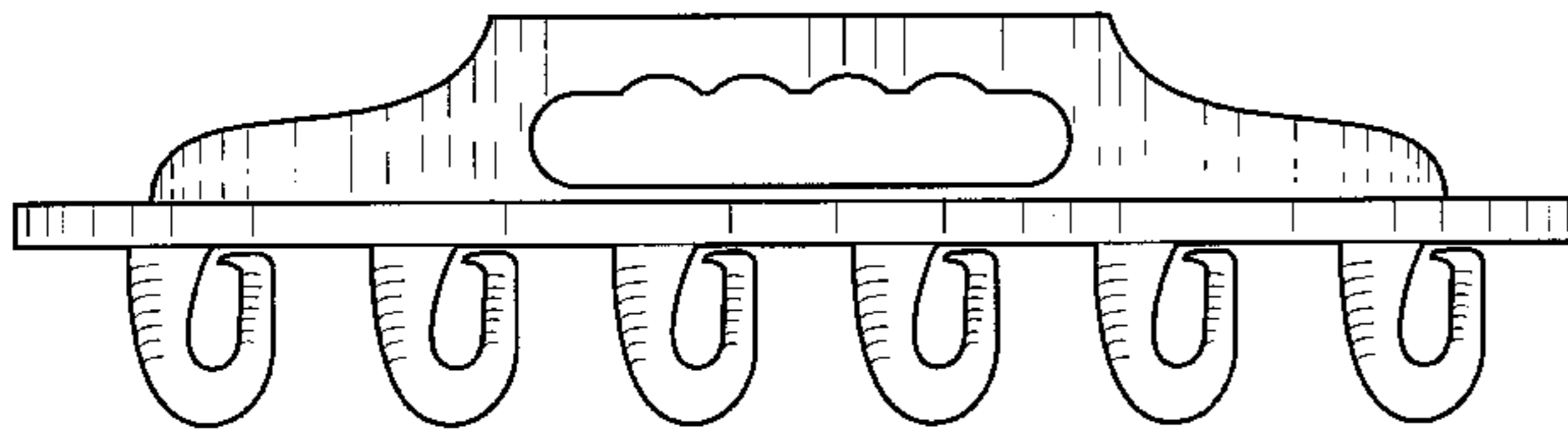
FIG. 4 is a right side end elevational view of the grocery bag holder shown in FIG. 1;

FIG. 5 is a bottom plan view of the grocery bag holder shown in FIG. 1;

FIG. 6 is a bottom perspective view of the grocery bag holder shown in FIG. 1; and,

FIG. 7 is a top perspective view of the grocery bag holder shown in FIG. 1.

1 Claim, 2 Drawing Sheets



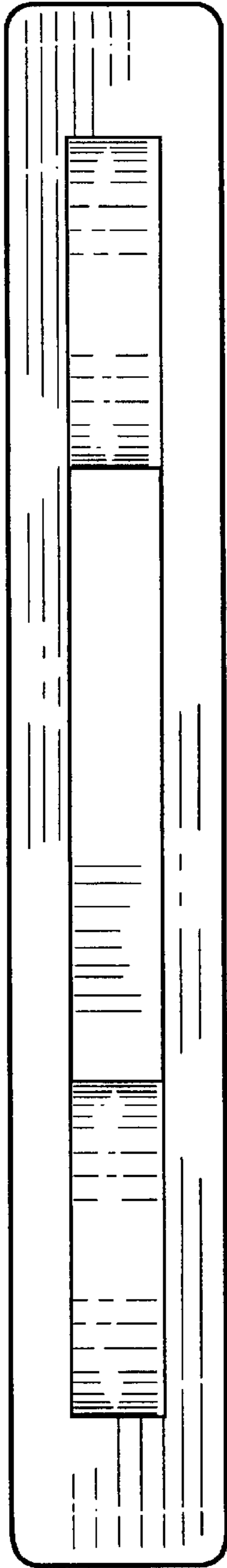


FIG. 1

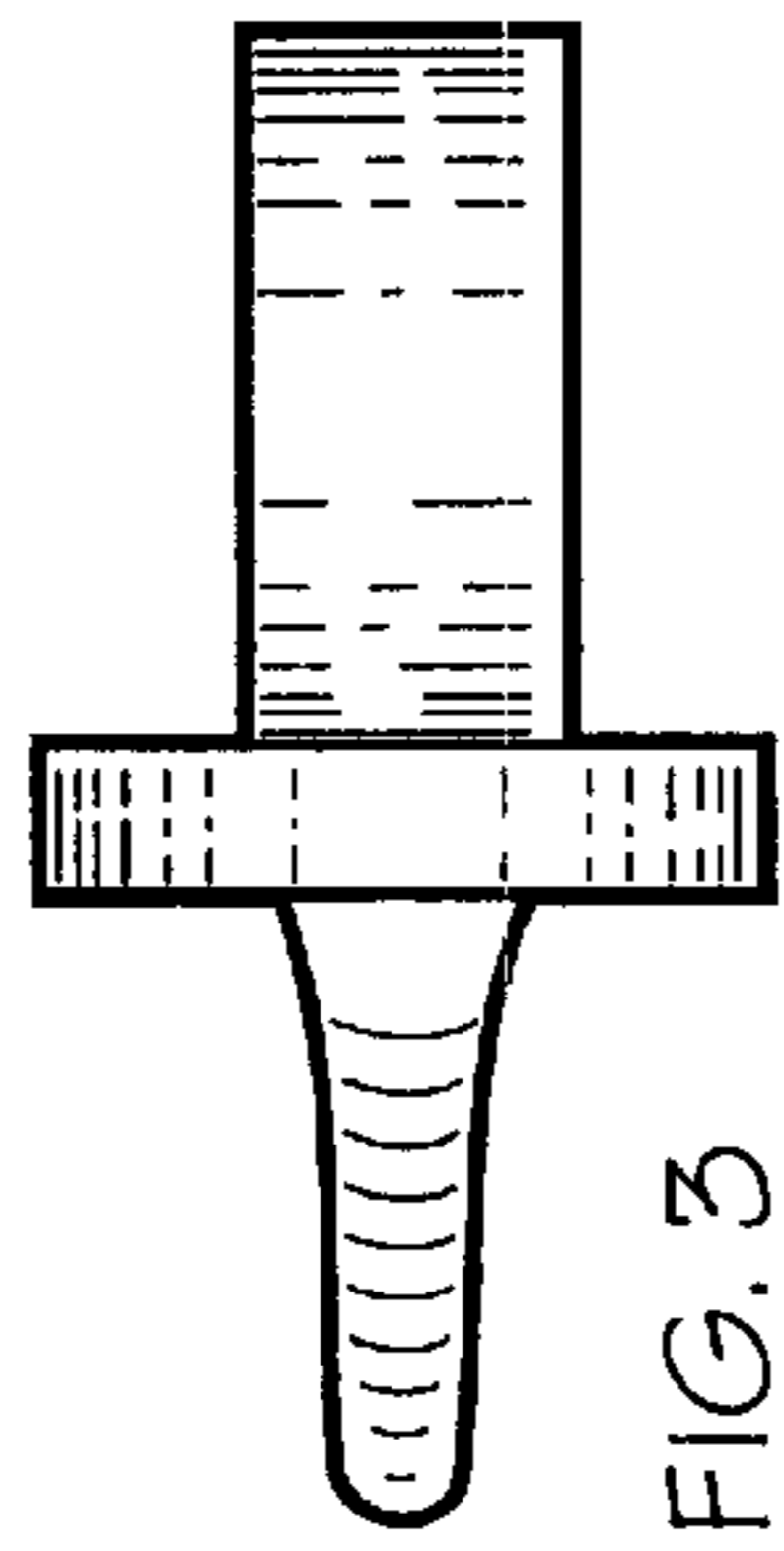


FIG. 3

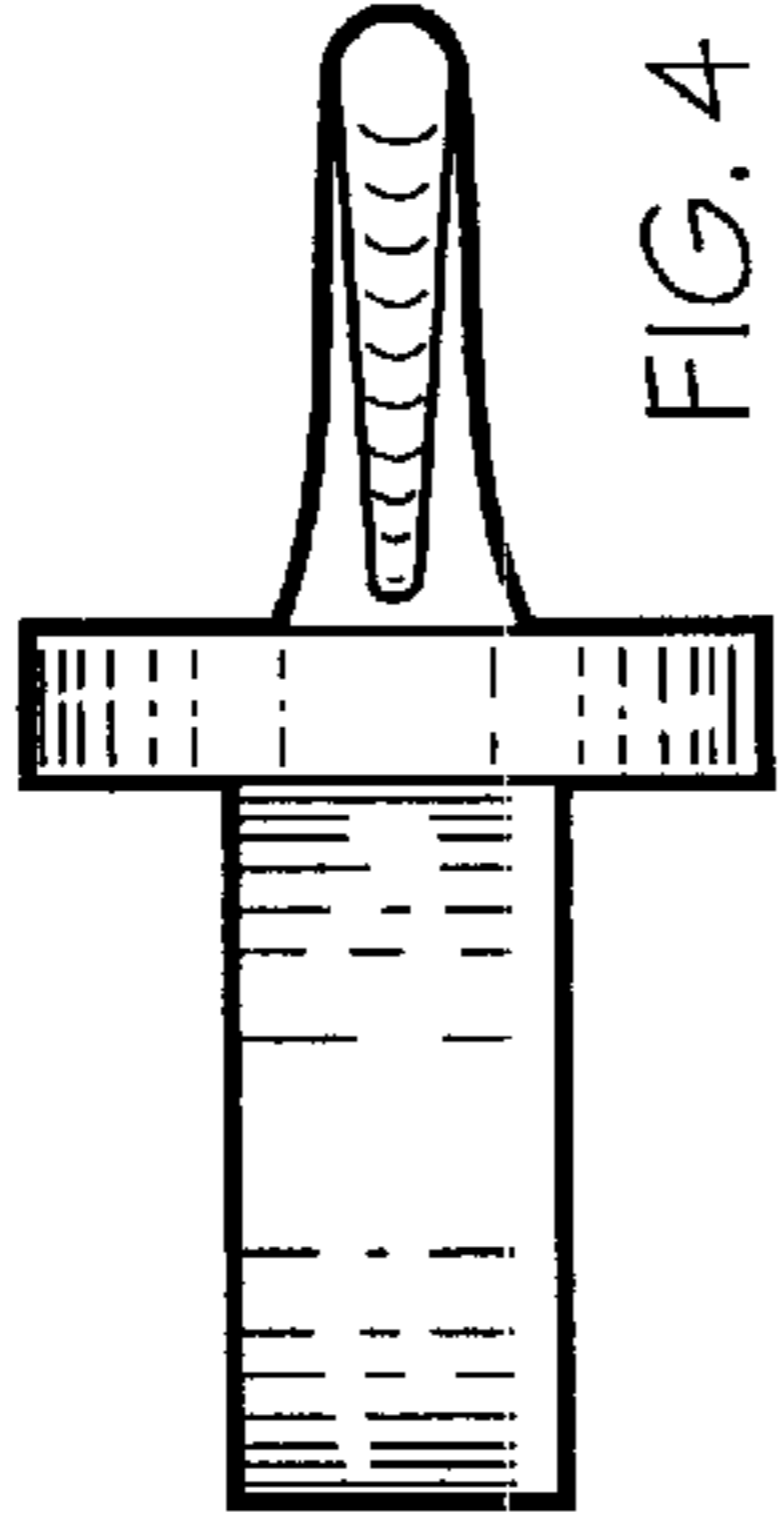


FIG. 4

FIG. 2

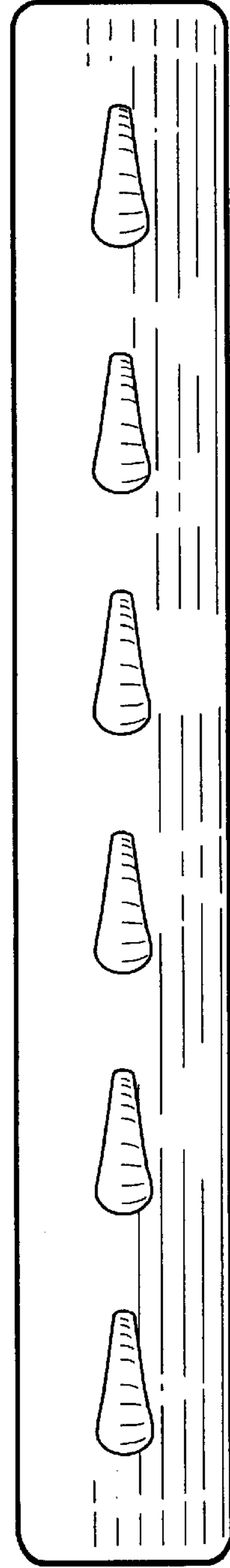
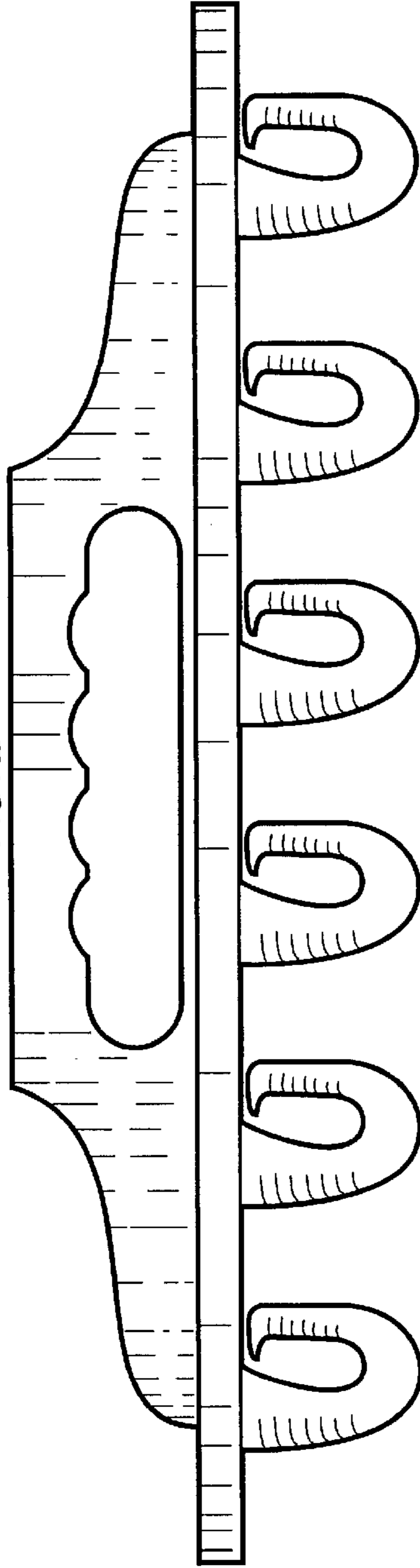


FIG. 5

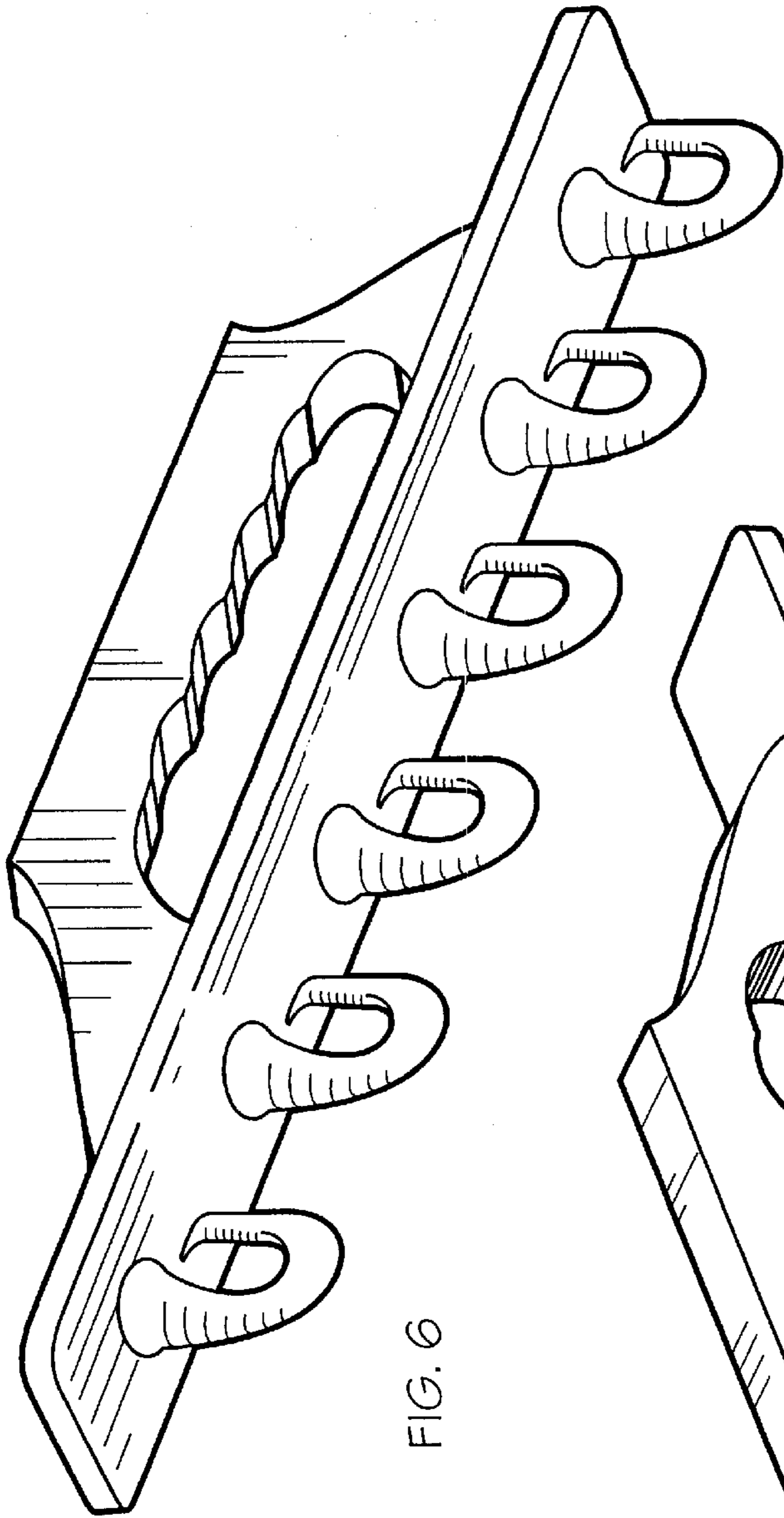


FIG. 6

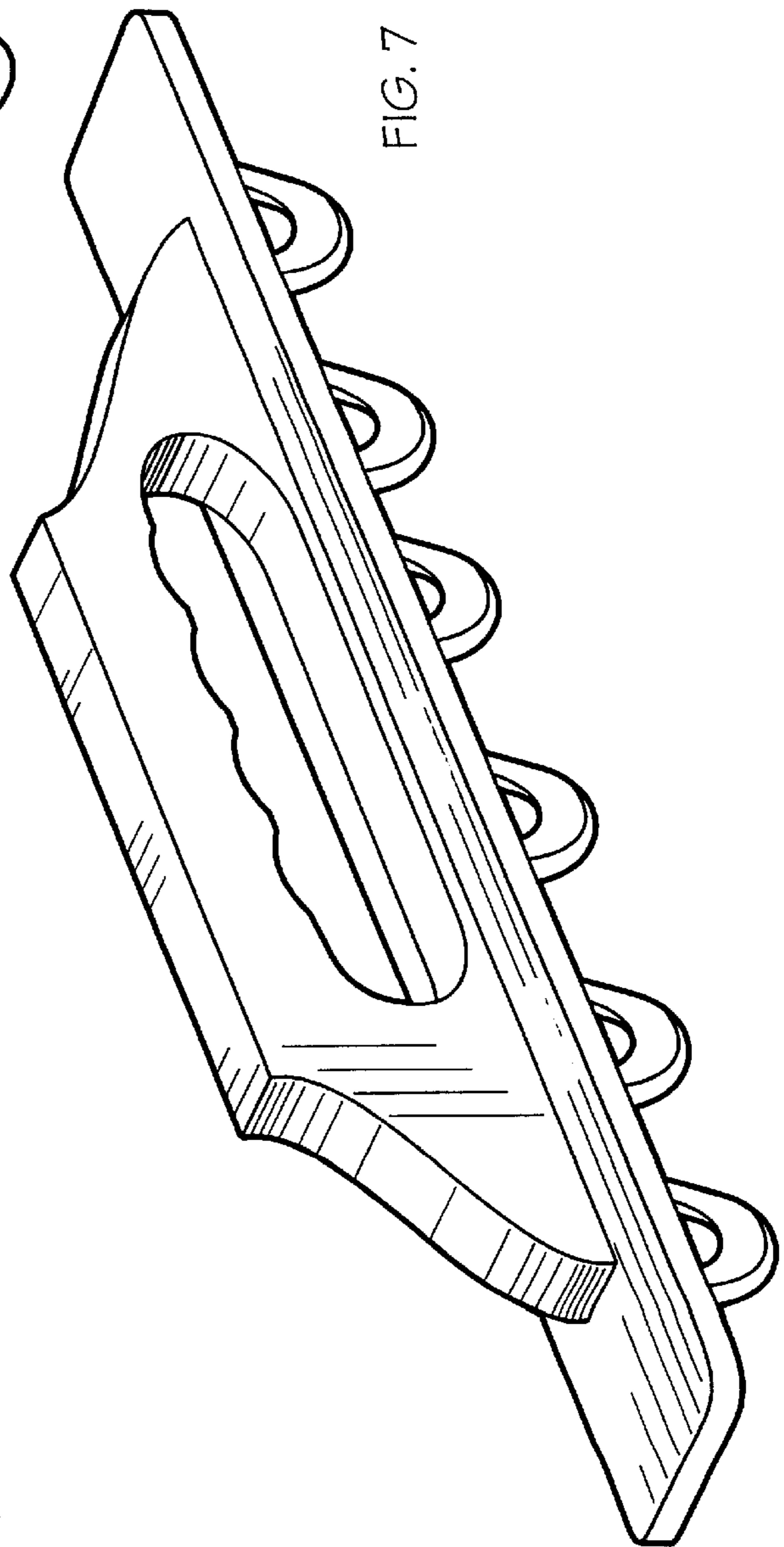


FIG. 7