



US00D489617S

(12) **United States Design Patent**
Snell

(10) **Patent No.:** **US D489,617 S**

(45) **Date of Patent:** **** May 11, 2004**

(54) **SOAP PUMP**

housewares, 1998 InterDesign, Inc. product brochure, p. 5 w/front and back covers.

(75) Inventor: **Russell Benton Snell**, Bentleyville, OH (US)

* cited by examiner

(73) Assignee: **InterDesign, Inc.**, Solon, OH (US)

Primary Examiner—Louis S. Zarfes

(**) Term: **14 Years**

(74) *Attorney, Agent, or Firm*—D. Peter Hochberg; Sean Mellino; Katherine R. Vieyra

(21) Appl. No.: **29/189,244**

(57) **CLAIM**

(22) Filed: **Aug. 29, 2003**

The ornamental design for a soap pump, as shown and described.

(51) **LOC (7) Cl.** **09-07**

(52) **U.S. Cl.** **D9/448; D6/542**

(58) **Field of Search** D9/300, 448, 435; D6/542; 222/153.13, 384, 321.9, 383.1, 382, 385, 321.7

DESCRIPTION

(56) **References Cited**

U.S. PATENT DOCUMENTS

D205,924 S	*	10/1966	Zelisko	D9/448
D287,462 S	*	12/1986	Bussell	D9/300
D366,834 S	*	2/1996	Reid	D9/447
D477,778 S		7/2003	Dretzka		
D477,990 S		8/2003	Dretzka		
D477,991 S		8/2003	Dretzka		
D480,642 S	*	10/2003	Dretzka	D9/448
D480,643 S	*	10/2003	Dretzka	D9/448

FIG. 1 is a perspective view of a soap pump embodying this invention, with a phantom view of a base for the pump;

FIG. 2 is a top view of the pump shown in FIG. 1;

FIG. 3 is a front view of the pump shown in FIG. 1, with a phantom view of a base for the pump;

FIG. 4 is a right side view of the of the pump shown in FIG. 1, with a phantom view of a base for the pump;

FIG. 5 is a rear view of the pump shown in FIG. 1, with a phantom view of a base for the pump; and,

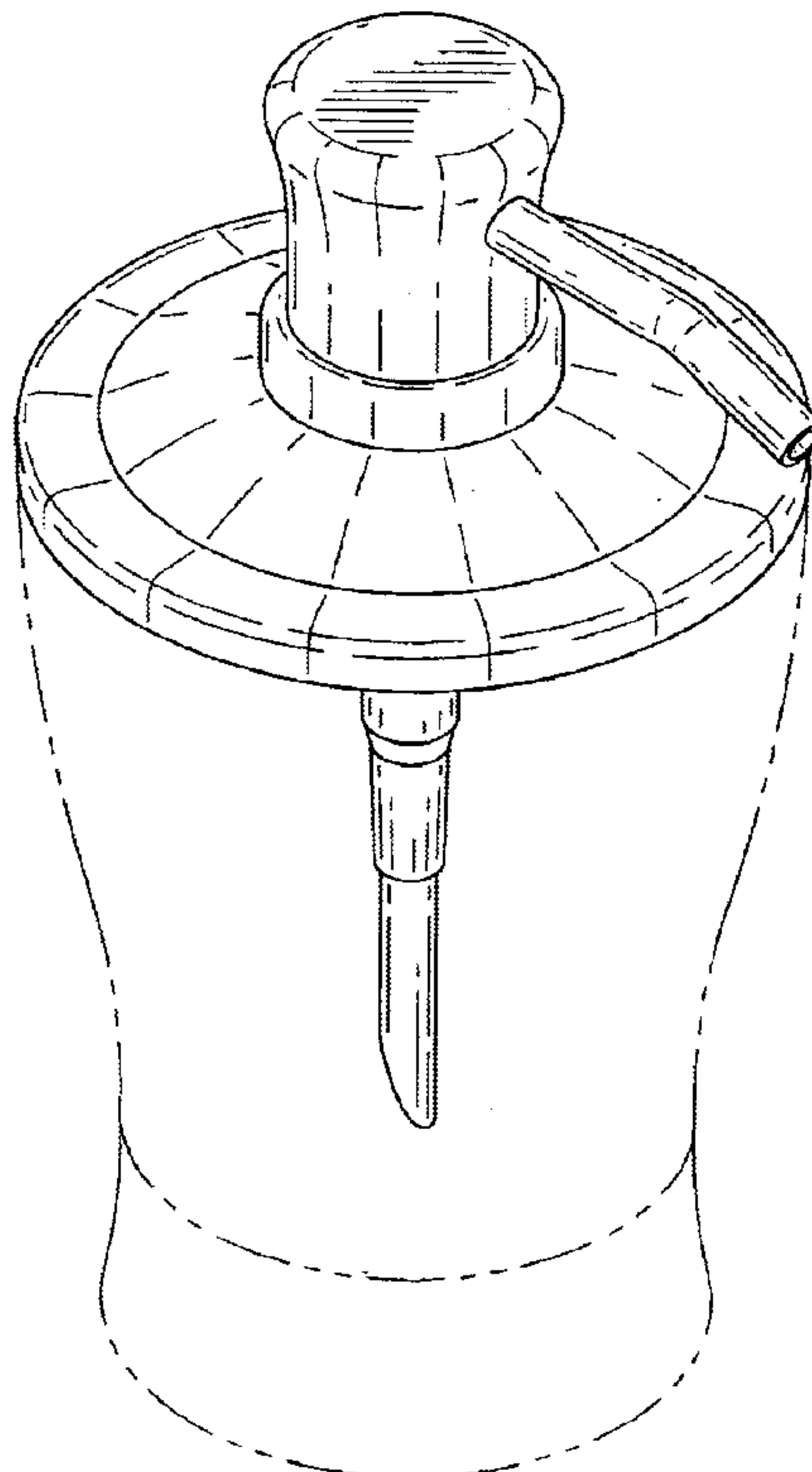
FIG. 6 is a left side view of the pump shown in FIG. 1, with a phantom view of a base for the pump therefor.

The phantom lines in the Figures are for illustrative purposes only and form no part of the claimed design.

OTHER PUBLICATIONS

bath, 1998 InterDesign, Inc. product brochure, pp. 4 and 6 w/ front and back covers.

1 Claim, 3 Drawing Sheets



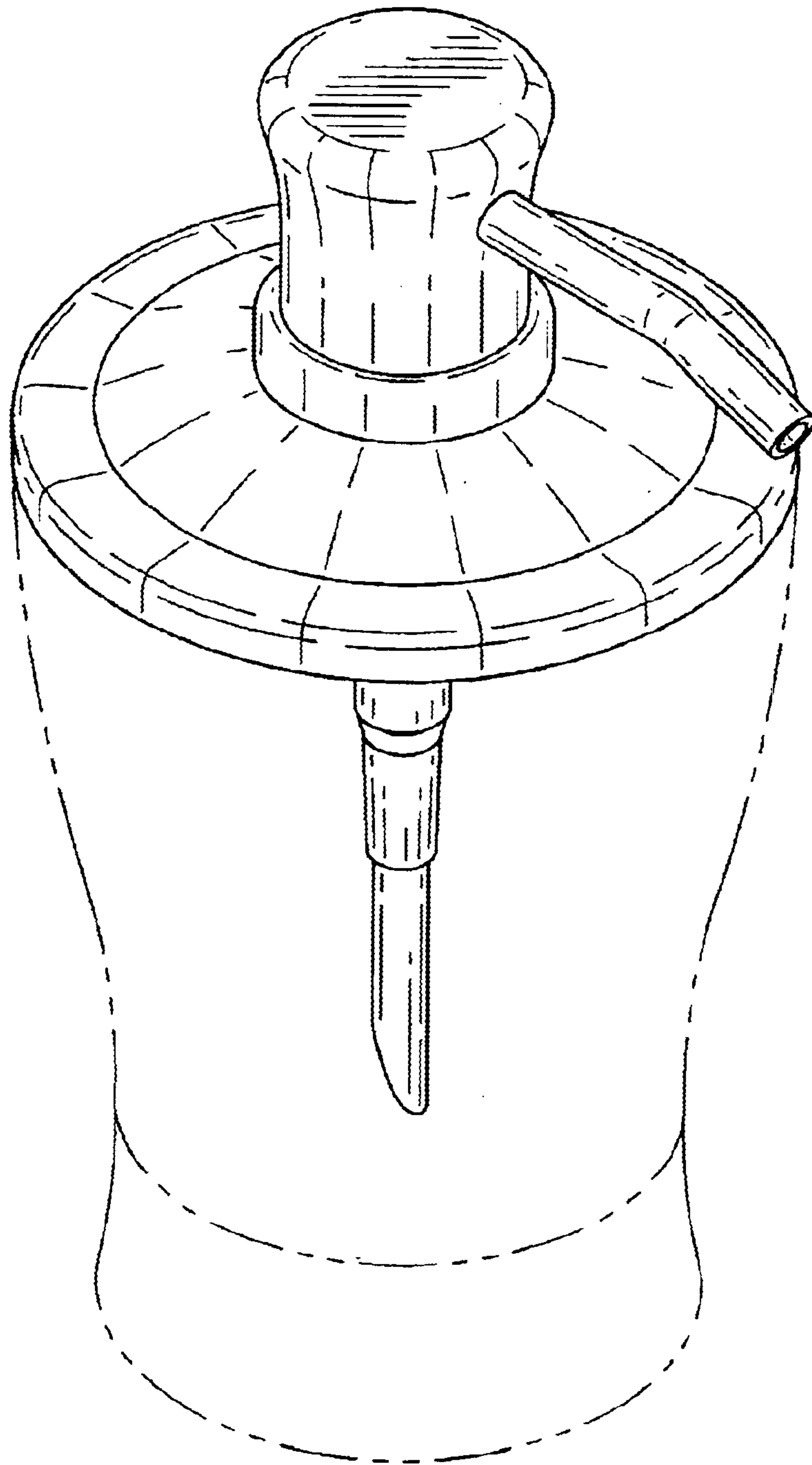


FIG-1

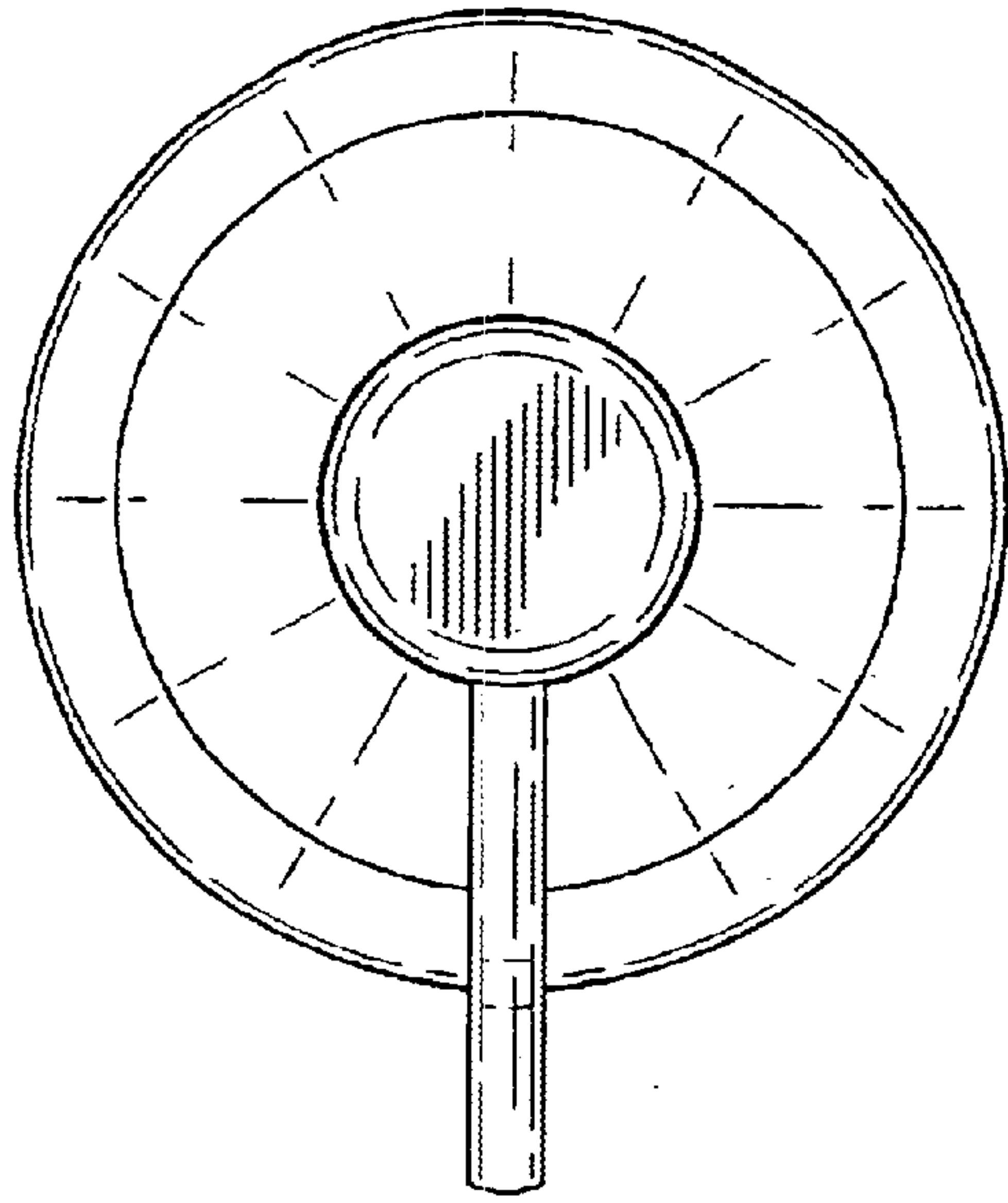


FIG-2

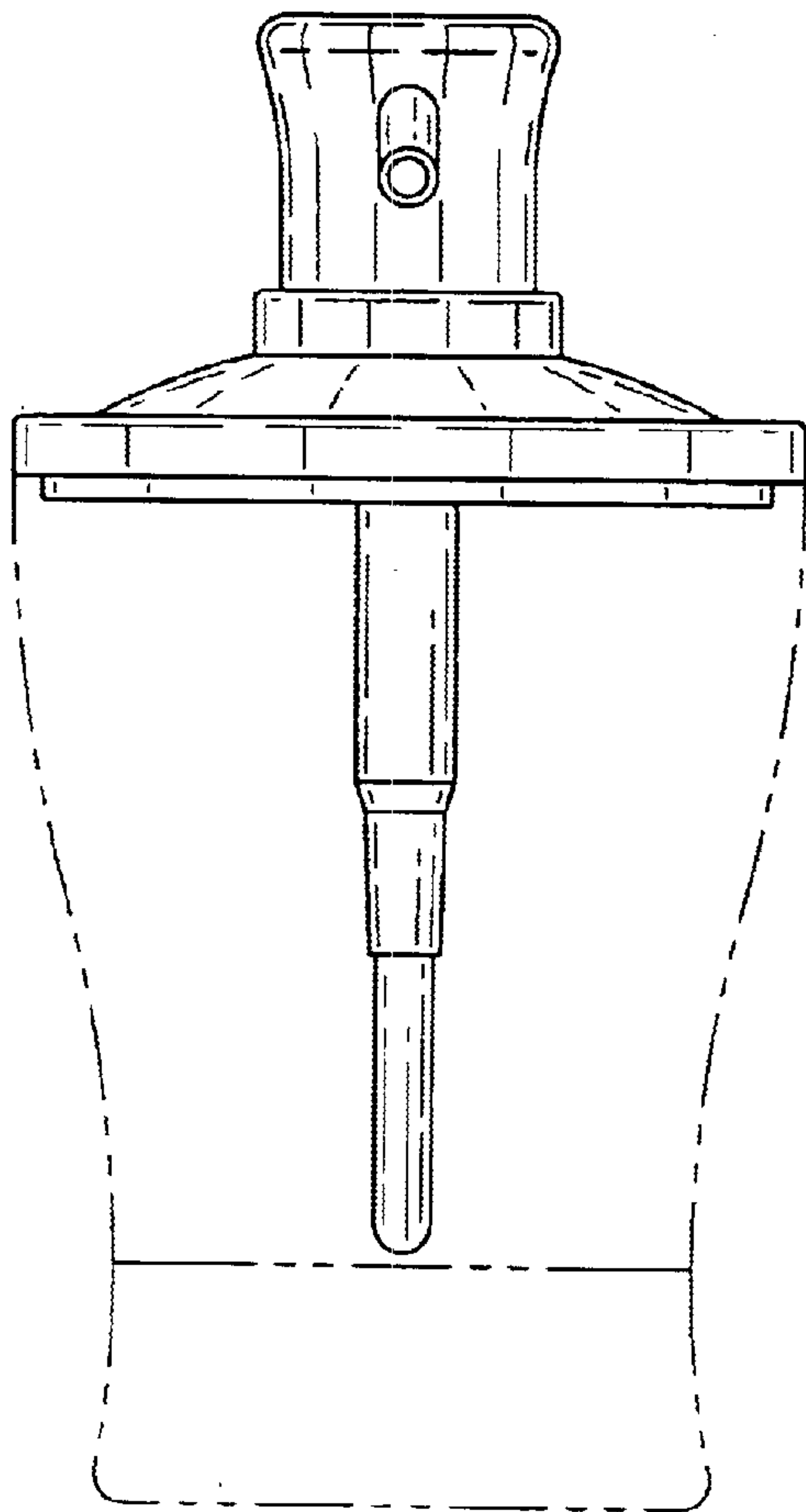


FIG-3

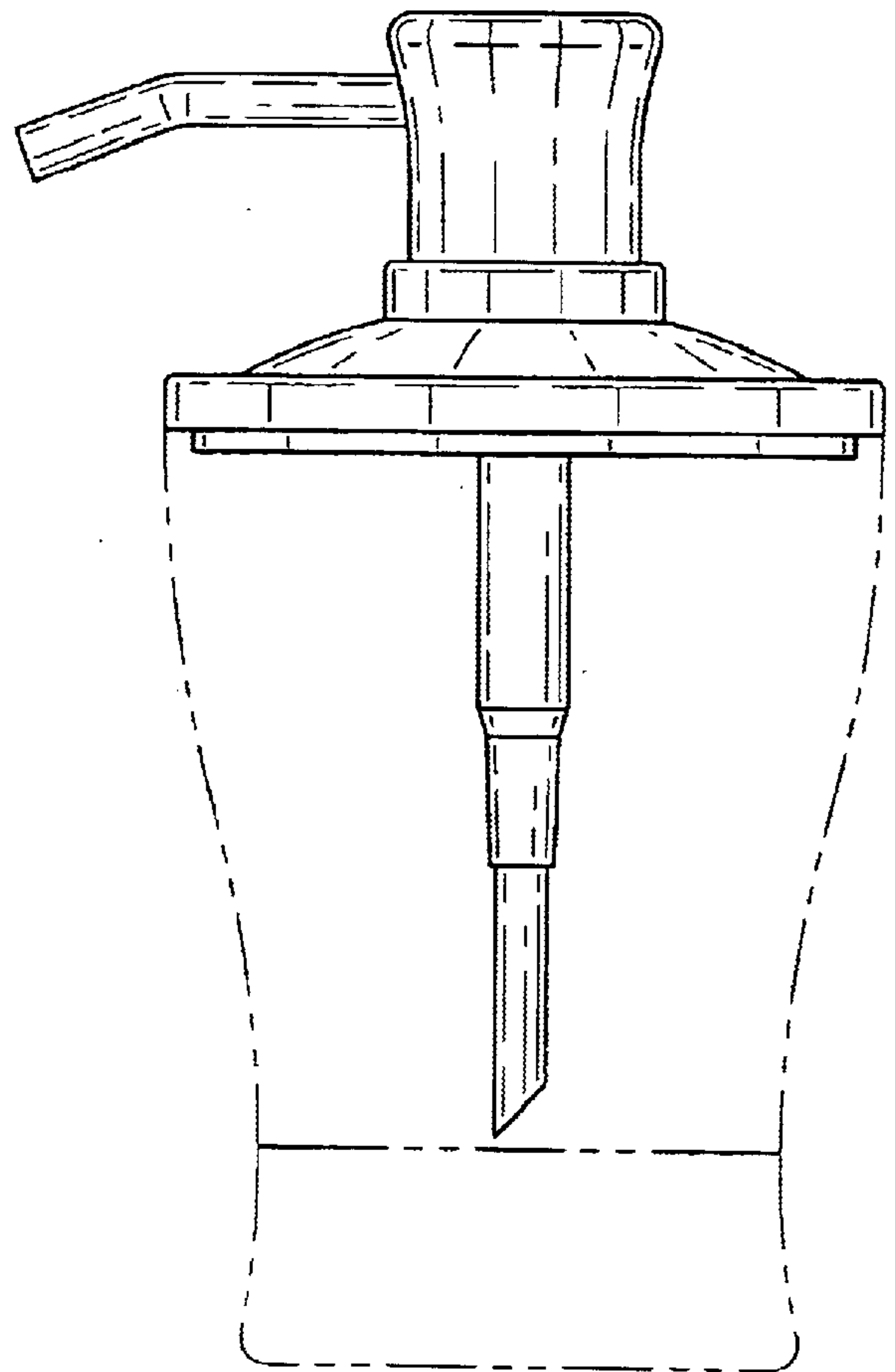


FIG-4

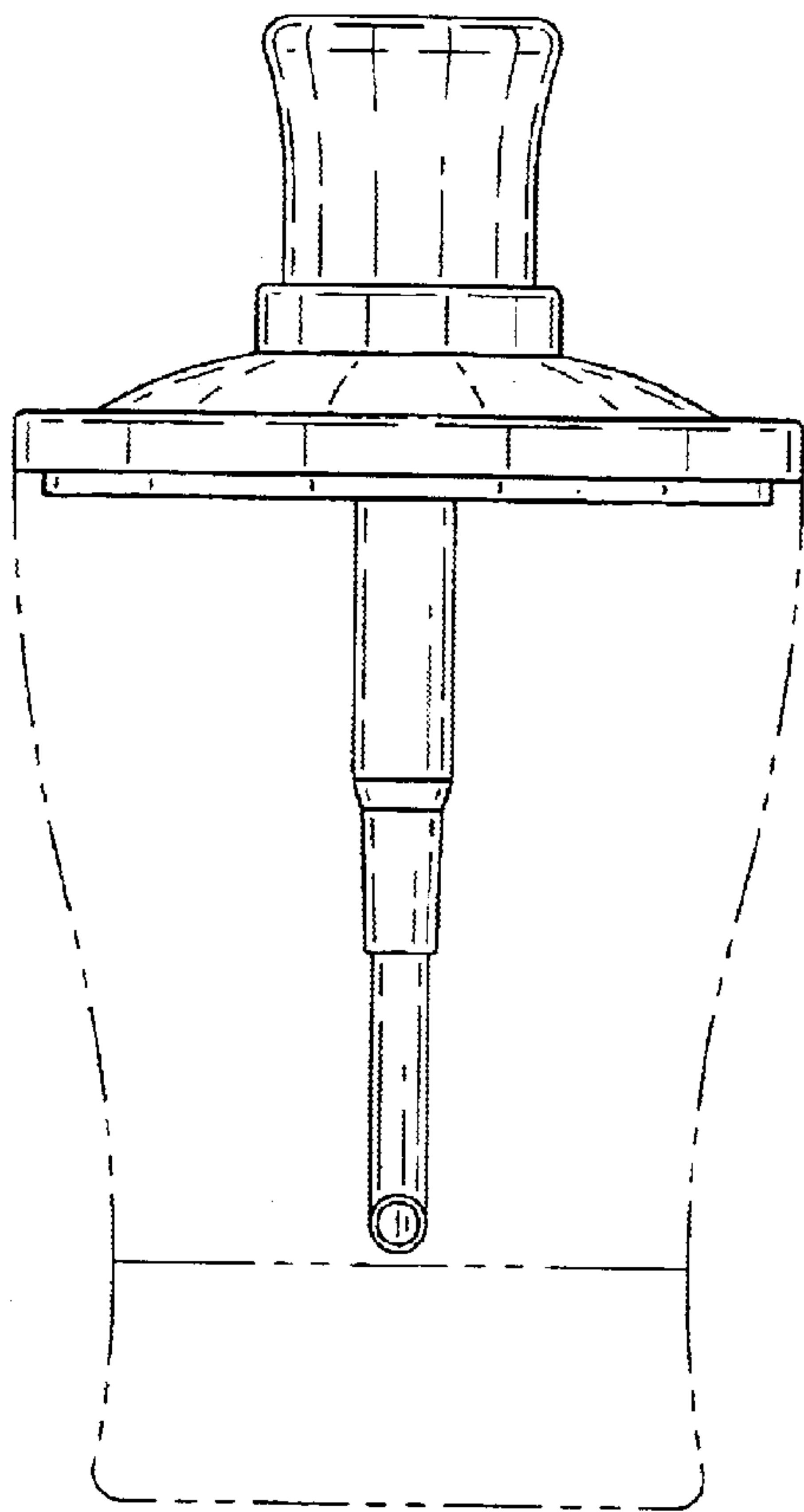


FIG-5

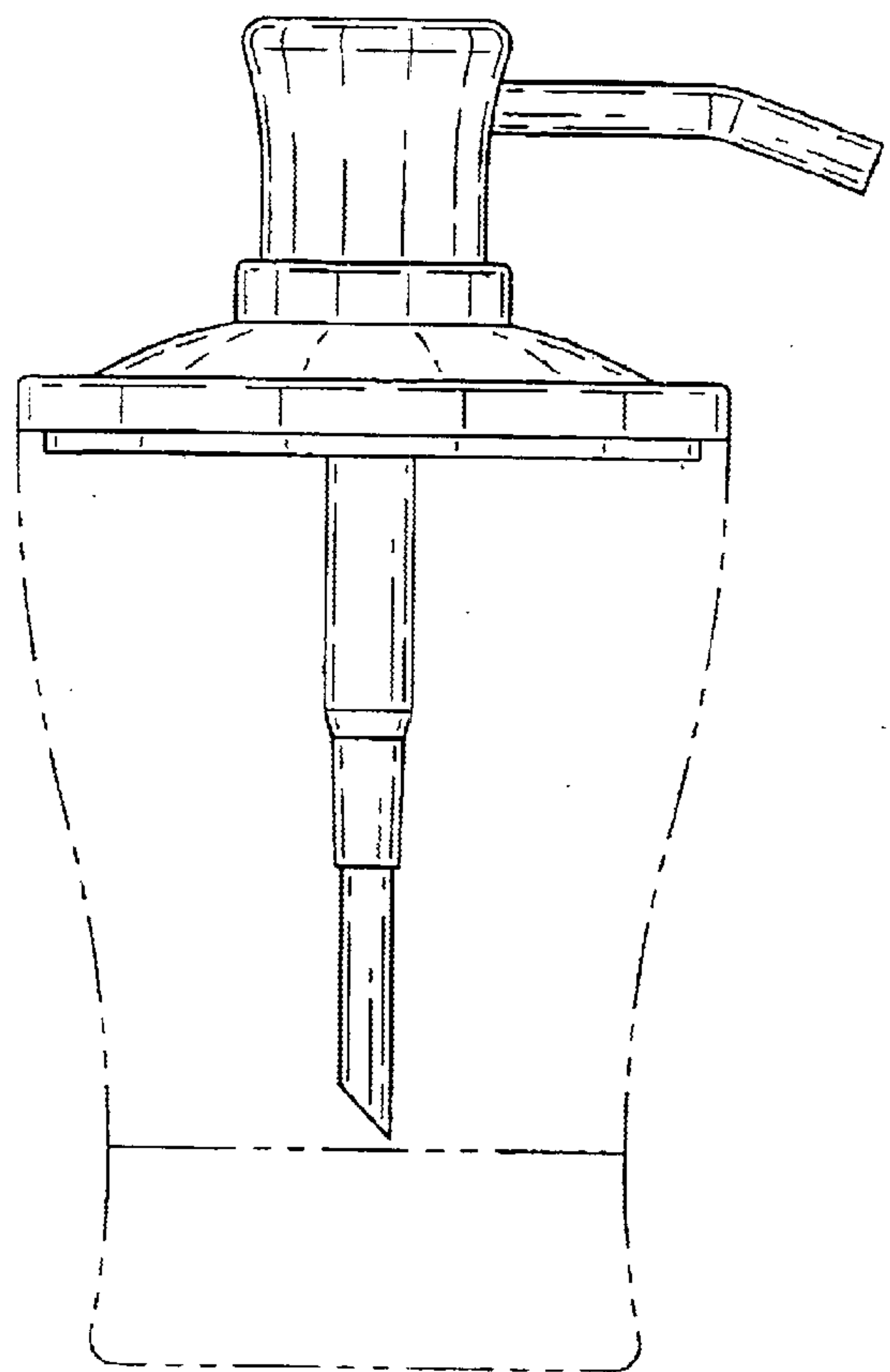


FIG-6