



US00D489606S

(12) **United States Design Patent**
Löfman

(10) **Patent No.:** **US D489,606 S**

(45) **Date of Patent:** **** May 11, 2004**

(54) **ORAL SNUFF PACKAGE**

(75) Inventor: **Lars Olof Löfman**, Göteborg (SE)

(73) Assignee: **Sweish Match North Europe AB**,
Stockholm (SE)

(**) Term: **14 Years**

(21) Appl. No.: **29/181,534**

(22) Filed: **May 12, 2003**

(30) **Foreign Application Priority Data**

Nov. 13, 2002 (SE) 021633

(51) **LOC (7) Cl.** **09-05**

(52) **U.S. Cl.** **D9/305**

(58) **Field of Search** D9/305, 306, 307,
D9/337; 383/101, 103, 109, 207, 208, 200;
220/366.1; 206/440; 229/87.05

(56) **References Cited**

U.S. PATENT DOCUMENTS

4,428,477 A * 1/1984 Cristofolo 206/210
5,445,454 A * 8/1995 Barkhorn 383/207

D365,981 S * 1/1996 Sullivan D9/337
5,655,842 A * 8/1997 Hagino 383/101
D394,605 S * 5/1998 Skiba et al. D9/305
5,934,809 A * 8/1999 Marbler 383/208
D478,276 S * 8/2003 Mobs et al. D9/305

* cited by examiner

Primary Examiner—Paula A. Mortimer

(74) *Attorney, Agent, or Firm*—Renner, Otto, Boisselle &
Sklar, LLP

(57) **CLAIM**

The ornamental design for an oral snuff package, as shown
and described.

DESCRIPTION

FIG. 1 is a front view of an oral snuff package showing my
new design.

FIG. 2 is a top view of the oral snuff package.

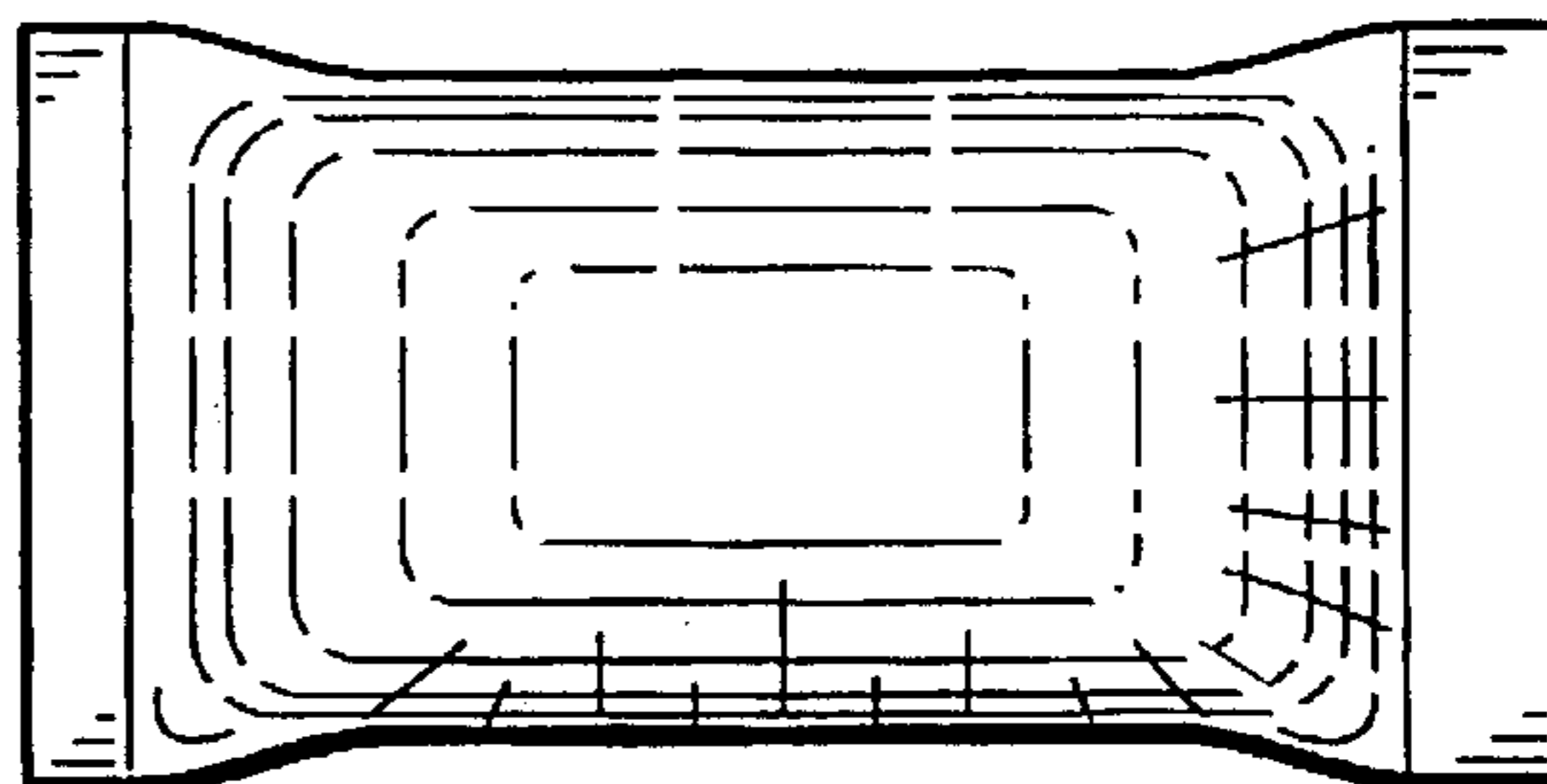
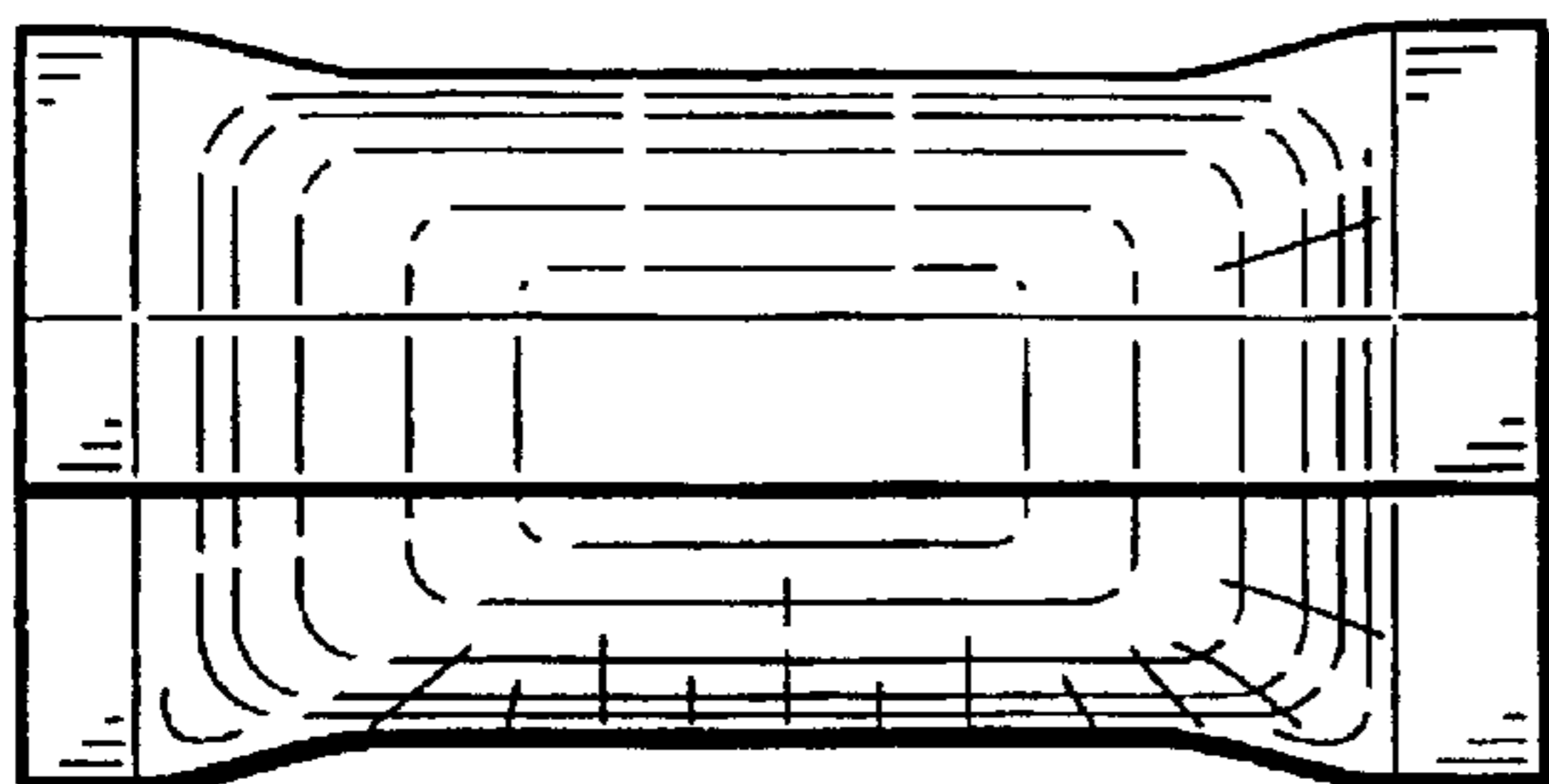
FIG. 3 is a left end view of the oral snuff package.

FIG. 4 is a rear view of the oral snuff package.

FIG. 5 is a bottom view of the oral snuff package; and,

FIG. 6 is a right end perspective view of the oral snuff
package.

1 Claim, 1 Drawing Sheet



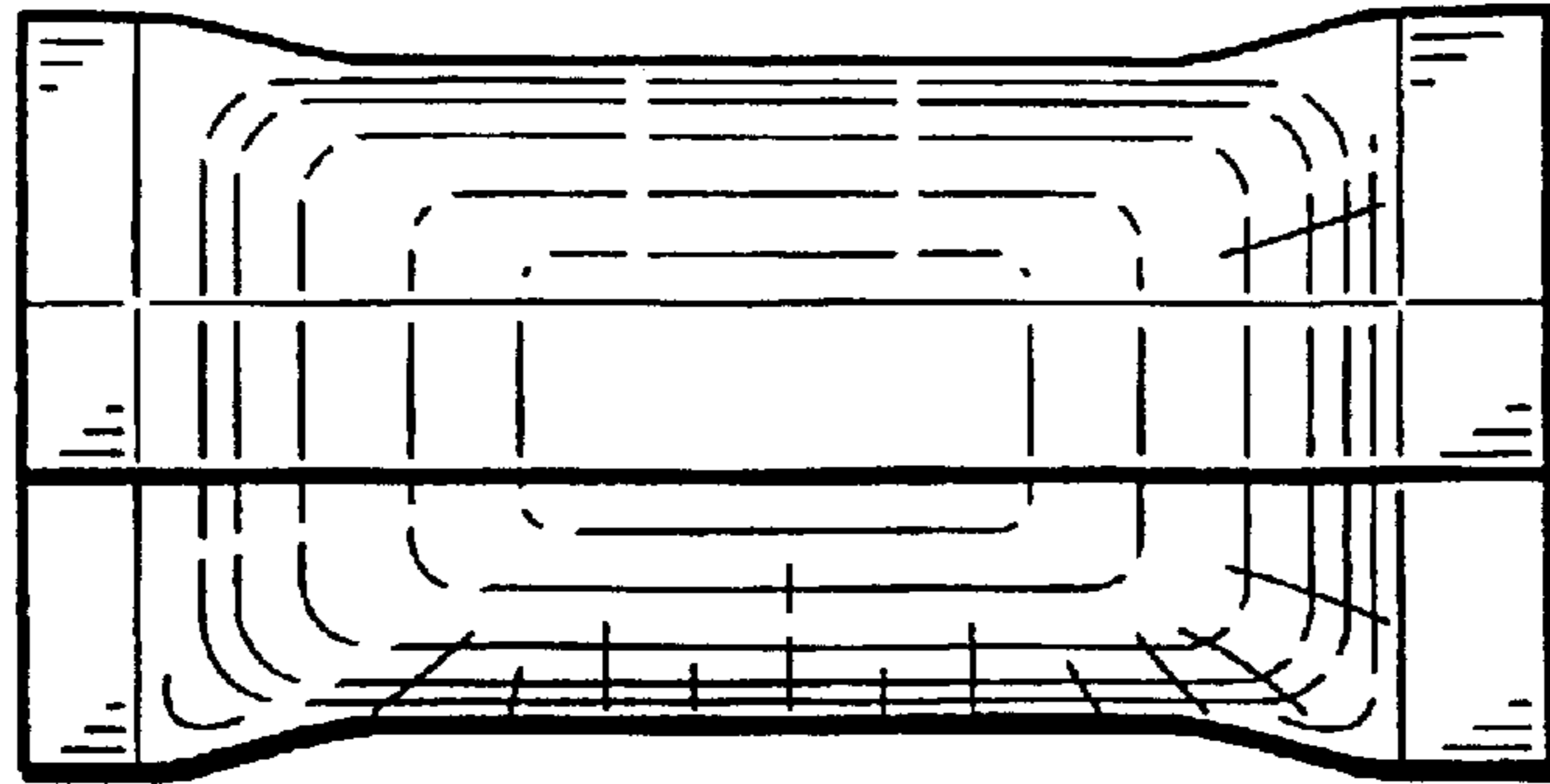


FIG. 1

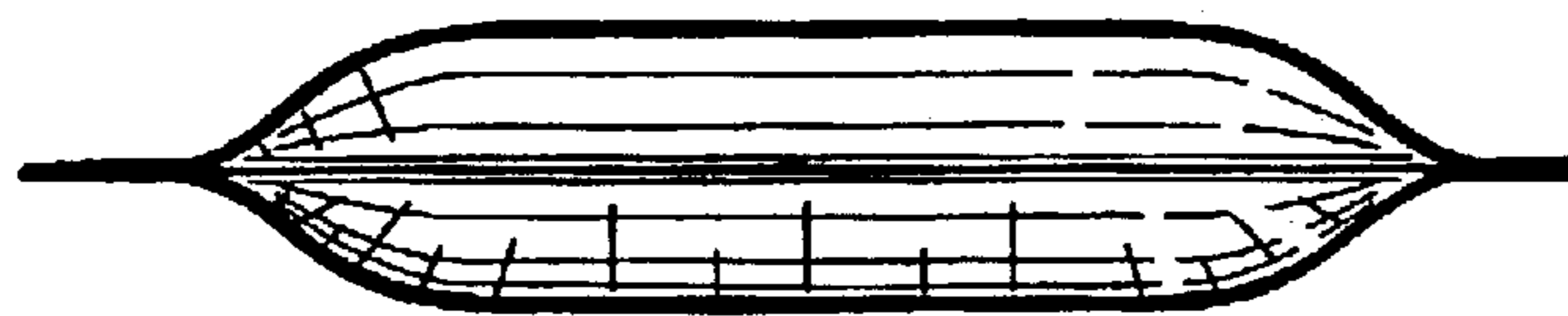


FIG. 2

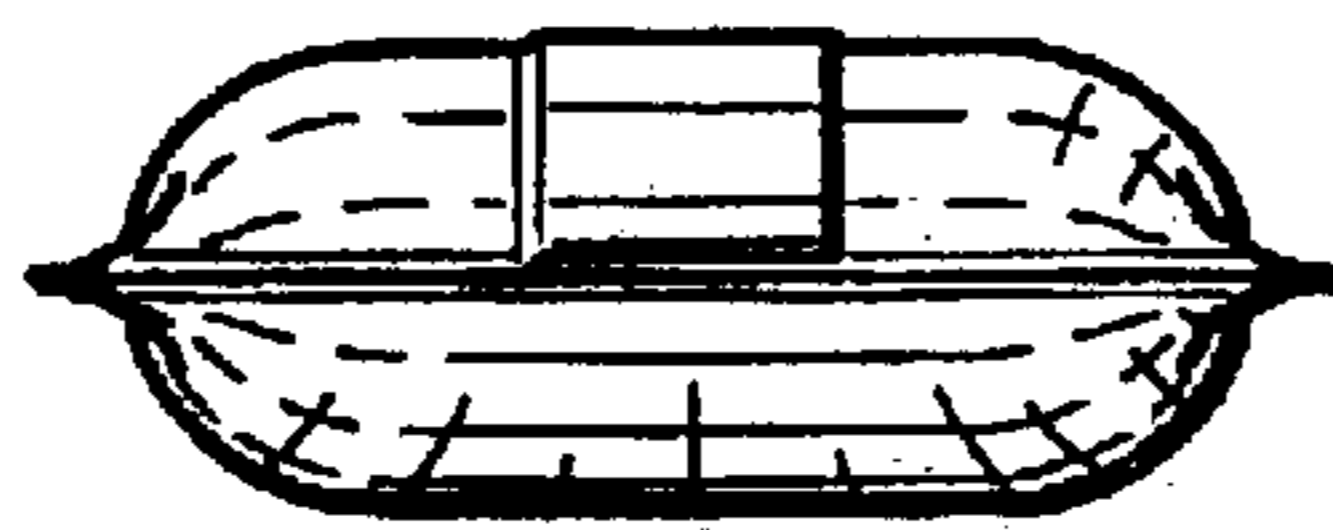


FIG. 3

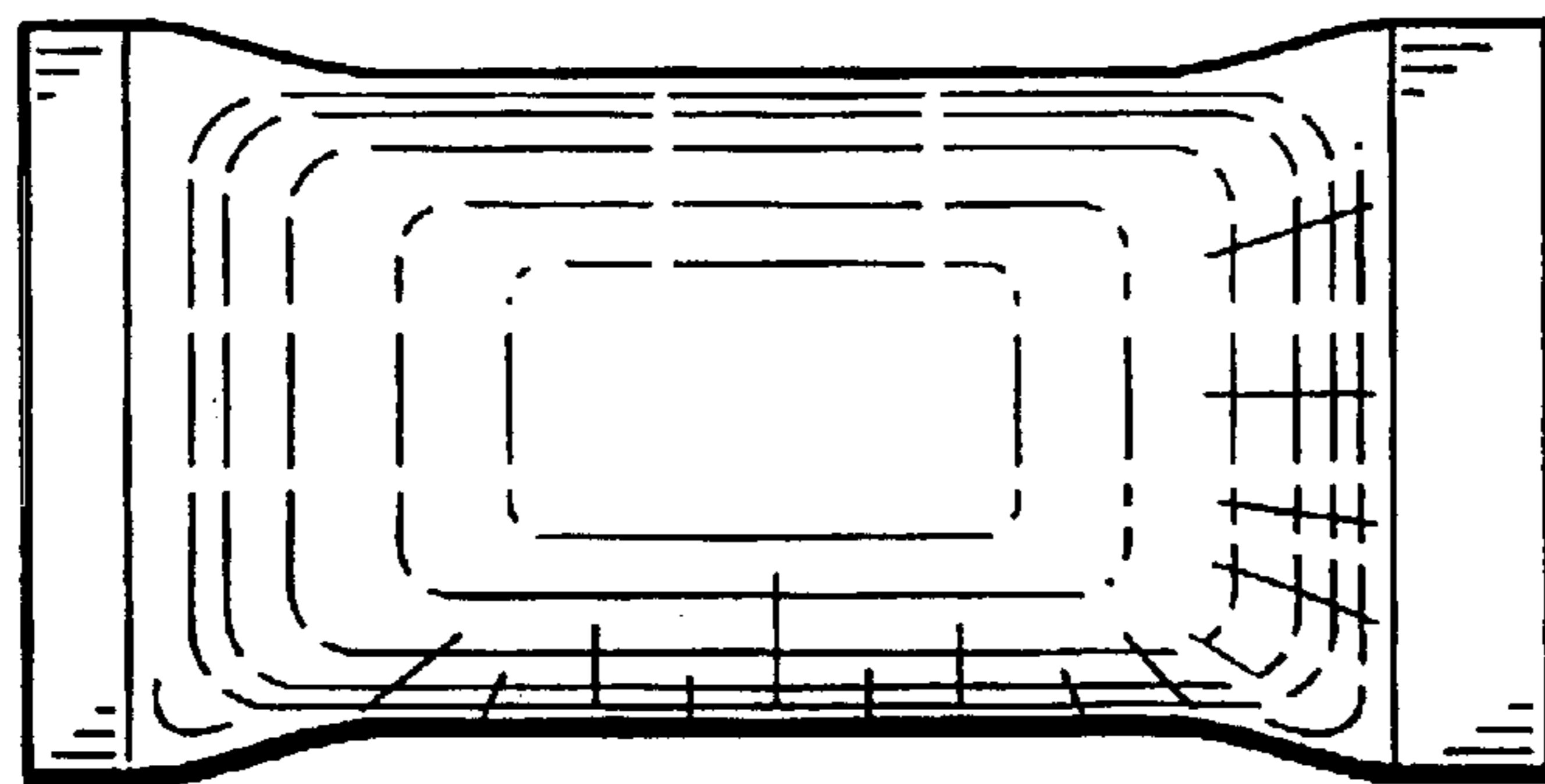


FIG. 4

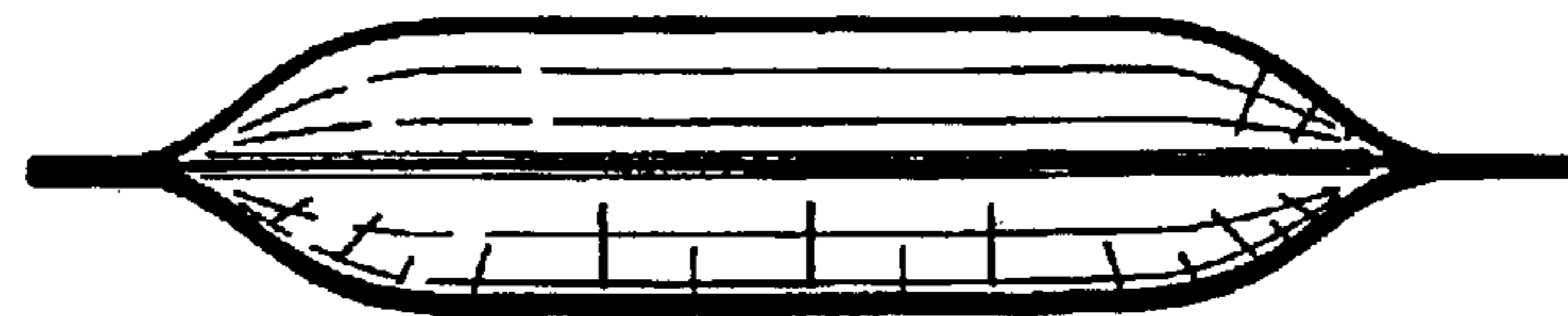


FIG. 5

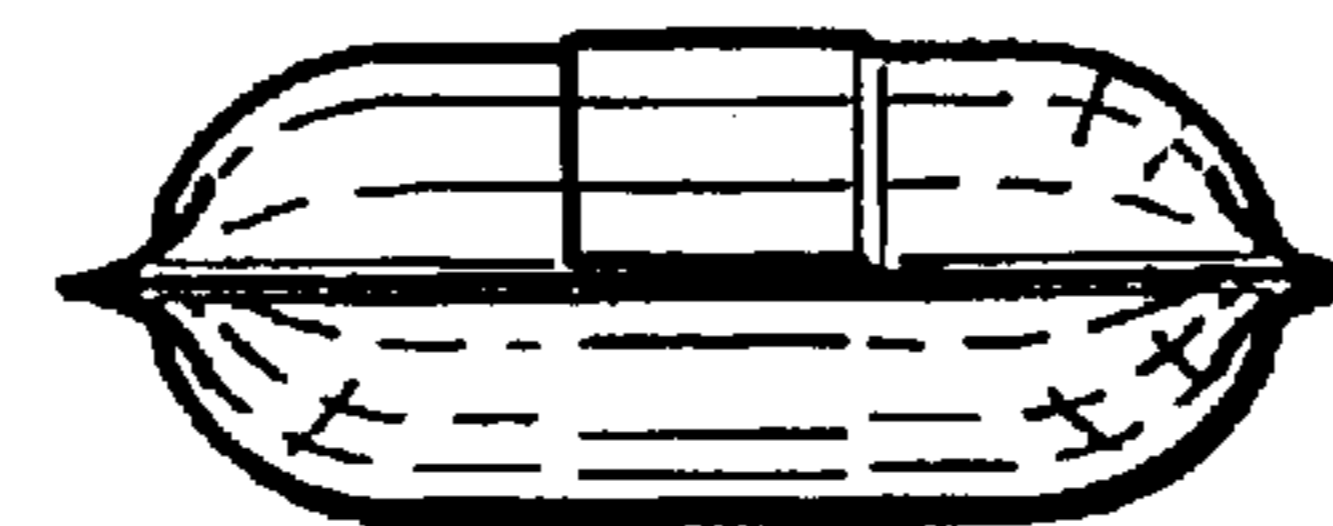


FIG. 6



FIG. 7