



US00D489601S

(12) **United States Design Patent**
Meeker

(10) **Patent No.:** **US D489,601 S**

(45) **Date of Patent:** **** May 11, 2004**

(54) **MOUNTING BRACKET**

(75) Inventor: **Robert Meeker**, North Ridgeville, OH (US)

(73) Assignee: **Anchor Tool & Die Company**, Cleveland, OH (US)

(**) Term: **14 Years**

(21) Appl. No.: **29/159,506**

(22) Filed: **Apr. 22, 2002**

(51) **LOC (7) Cl.** **08-05**

(52) **U.S. Cl.** **D8/380; D8/354**

(58) **Field of Search** D8/349, 354, 380; 248/300, 674; 123/195 A; D15/138; D12/223

(56) **References Cited**

U.S. PATENT DOCUMENTS

D250,805 S	*	1/1979	Mygind et al.	D8/380
D276,410 S	*	11/1984	Taylor	D8/380
4,645,172 A	*	2/1987	Wilson	248/674
D311,859 S	*	11/1990	Bohringer	D8/380
D320,027 S	*	9/1991	Mintz et al.	D15/138

FOREIGN PATENT DOCUMENTS

JP 2001239844 A * 9/2001 B60K/5/12

* cited by examiner

Primary Examiner—Holly Baynham

(74) *Attorney, Agent, or Firm*—Roetzel & Andress

(57) **CLAIM**

The ornamental design for a mounting bracket, as shown.

DESCRIPTION

FIG. 1 is a perspective view of the mounting bracket design of the present invention;

FIG. 2 is a side elevation view of the mounting bracket design invention;

FIG. 3 is a side elevation view of the mounting bracket design invention, generally opposite to the view of FIG. 2;

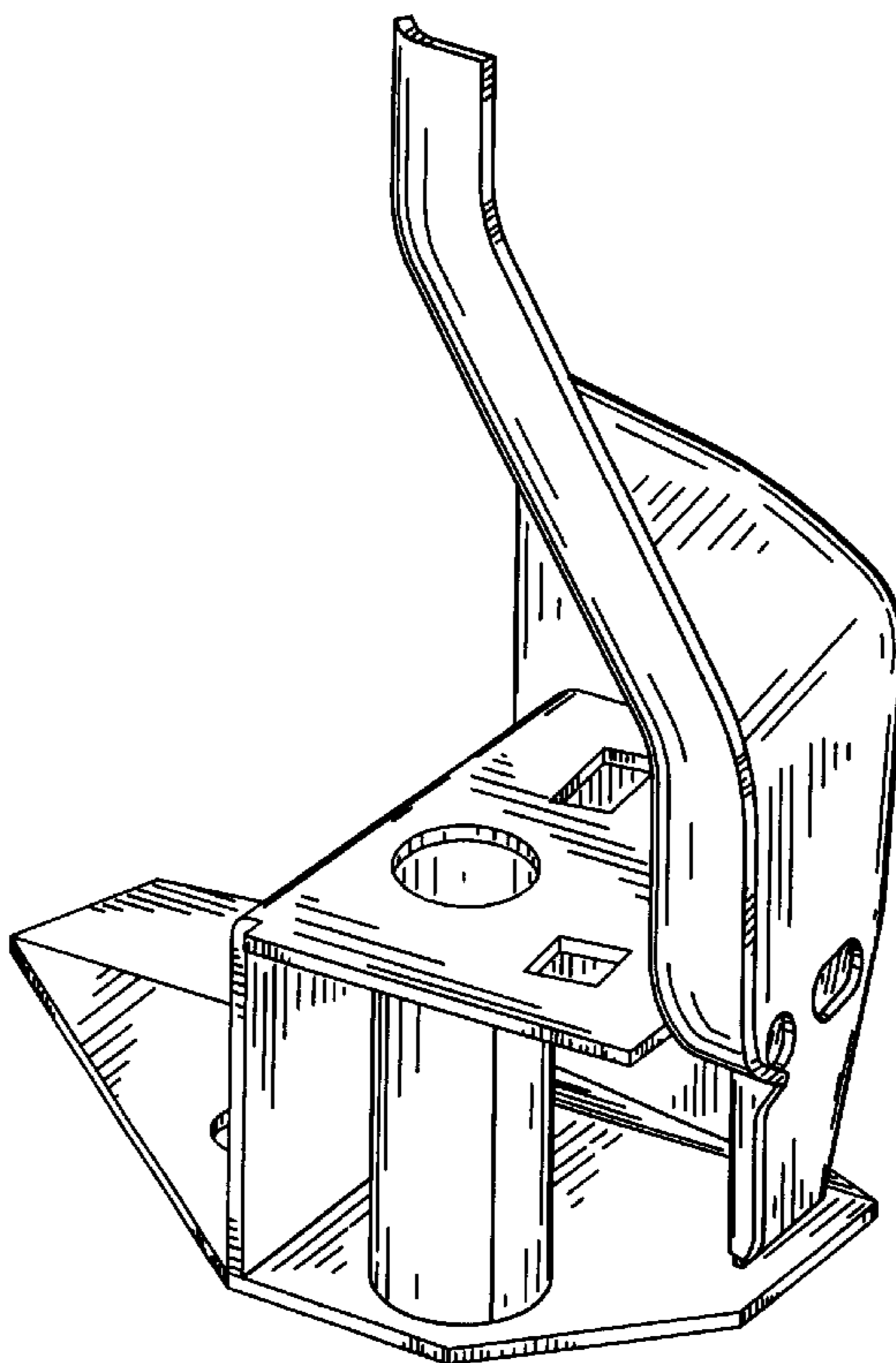
FIG. 4 is a side elevation view of the mounting bracket design invention;

FIG. 5 is a side elevation view of the mounting bracket design invention, generally opposite to the view of FIG. 4;

FIG. 6 is a side elevation view of the mounting bracket design invention; and,

FIG. 7 is a side elevation view of the mounting bracket design invention, generally opposite to the view of FIG. 6.

1 Claim, 2 Drawing Sheets



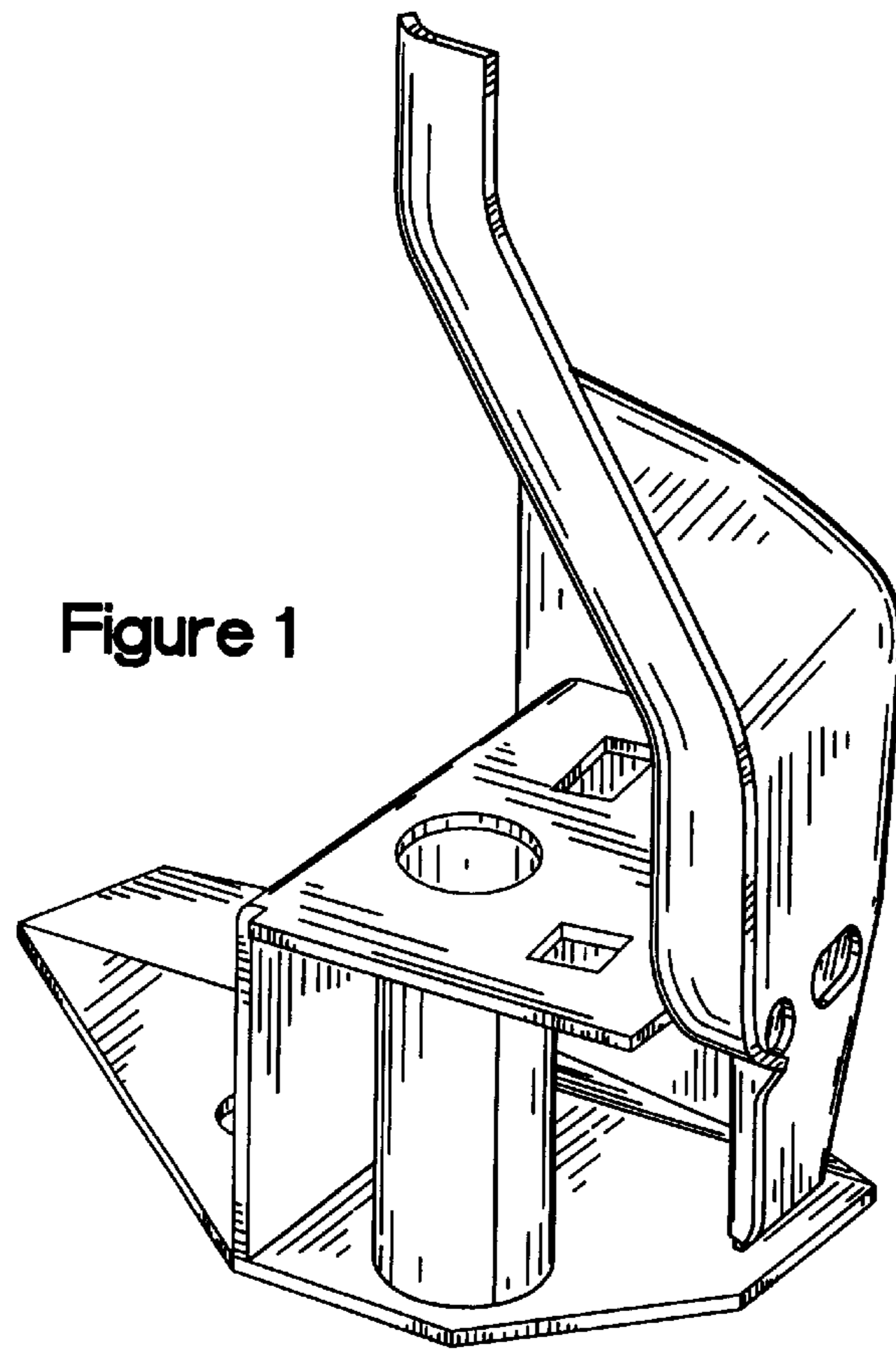


Figure 1

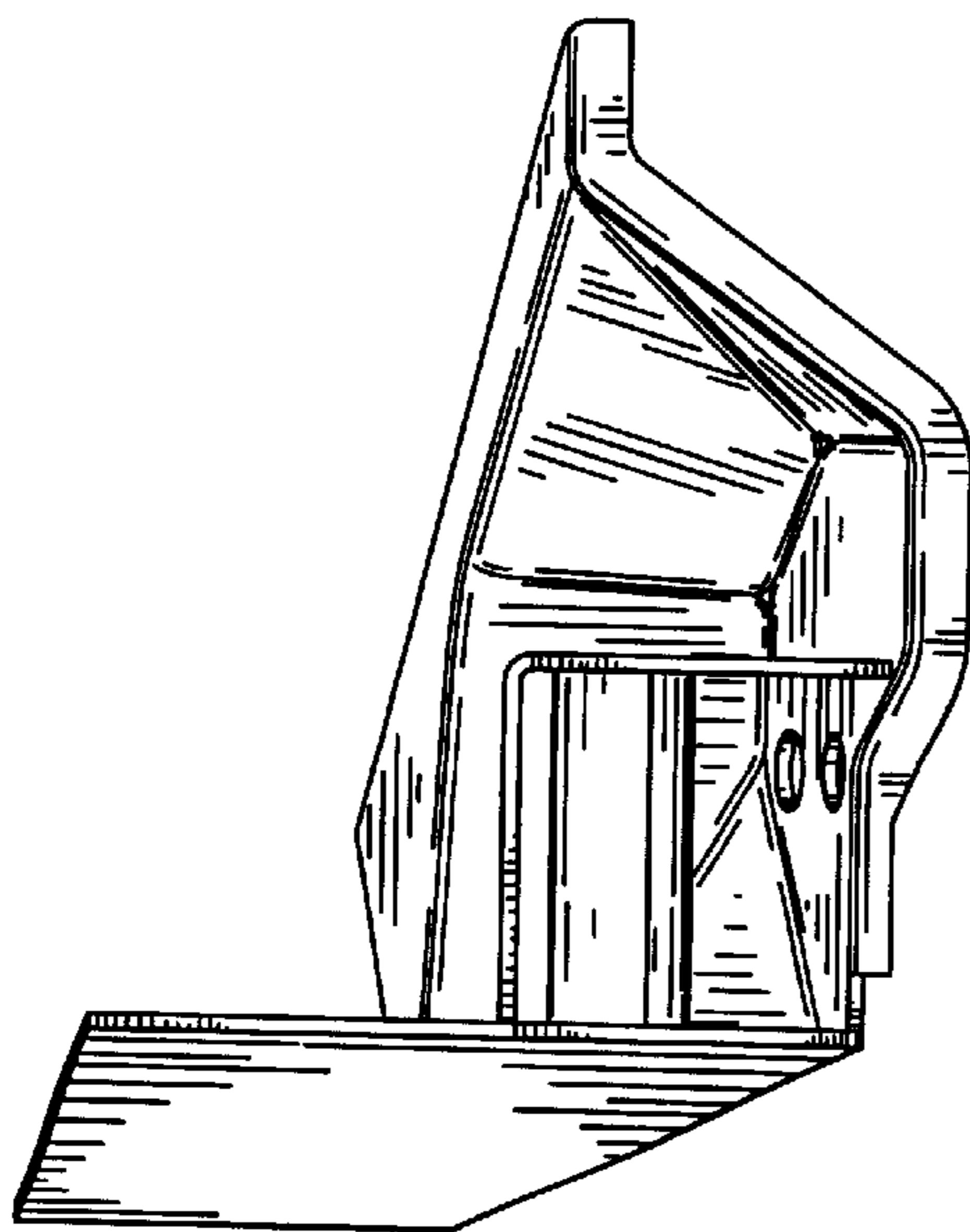


Figure 2

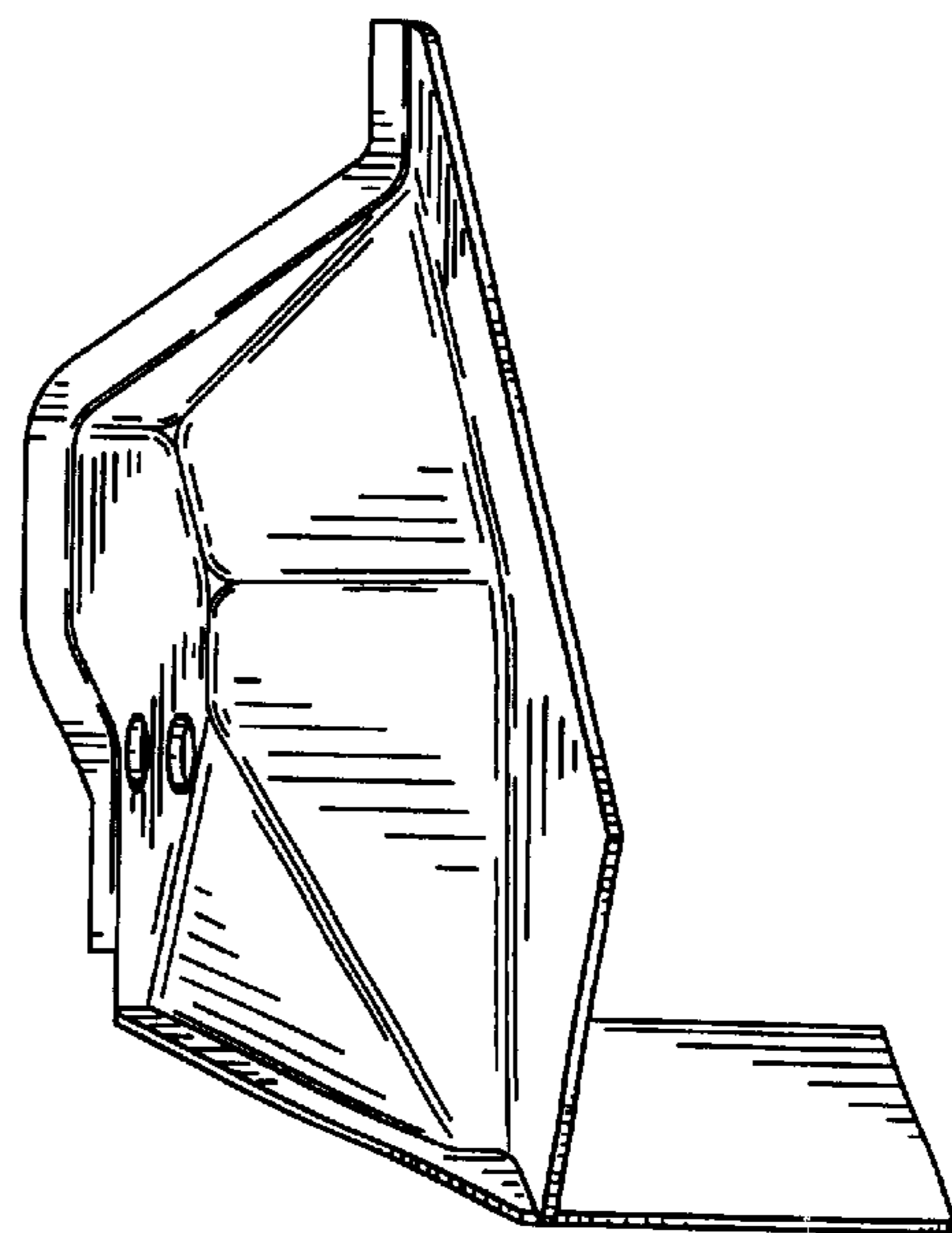


Figure 3

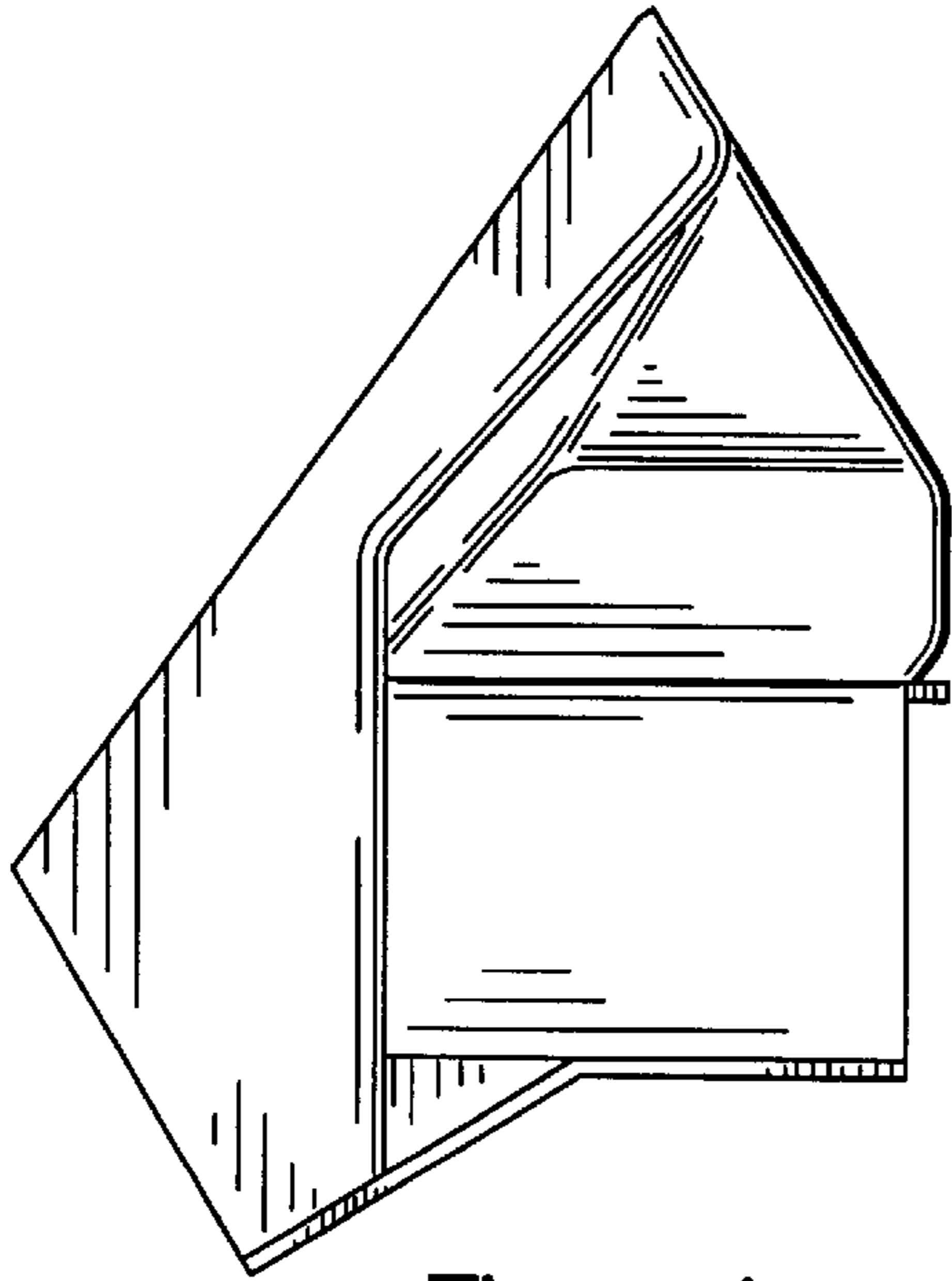


Figure 4

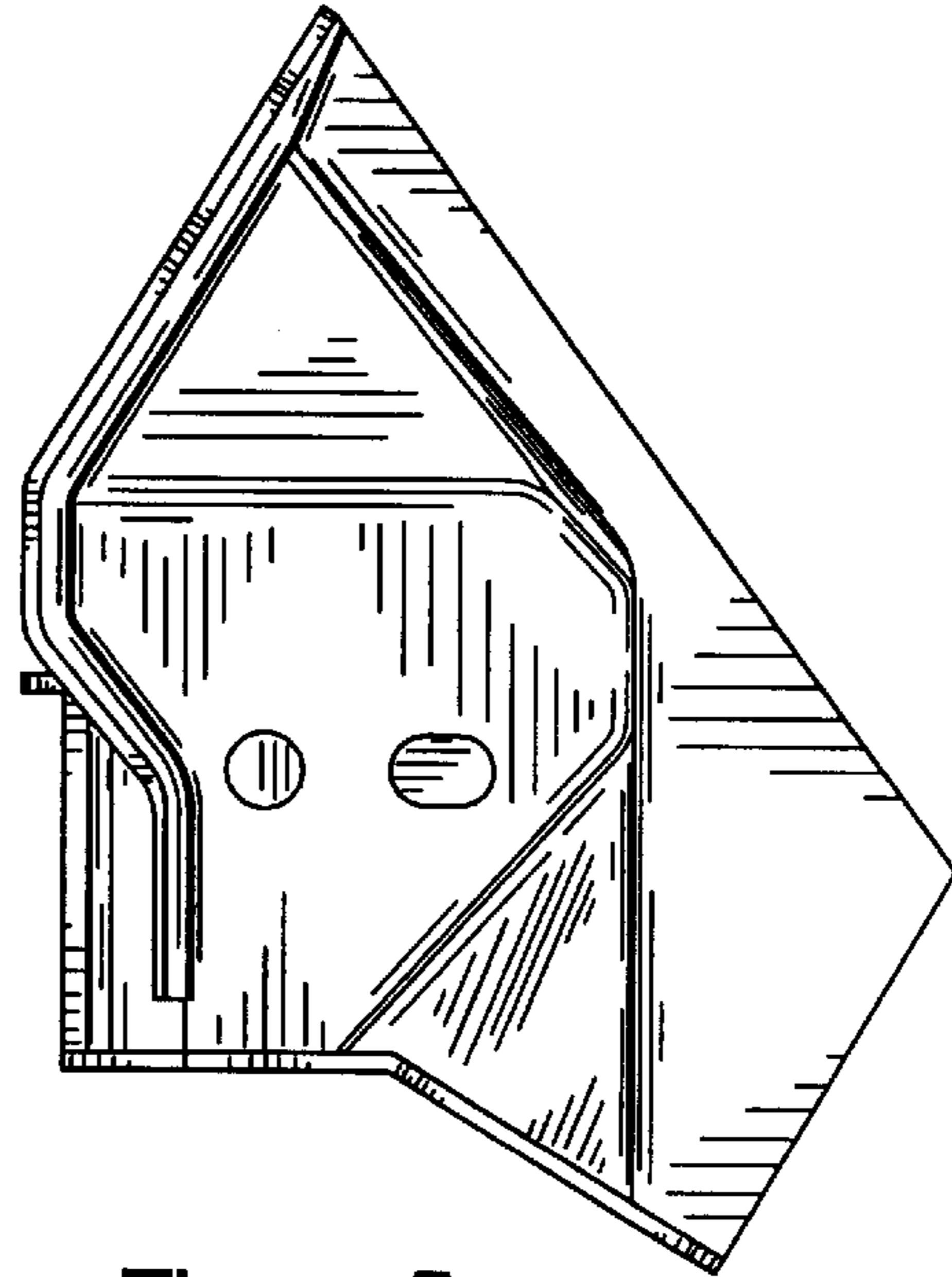


Figure 5

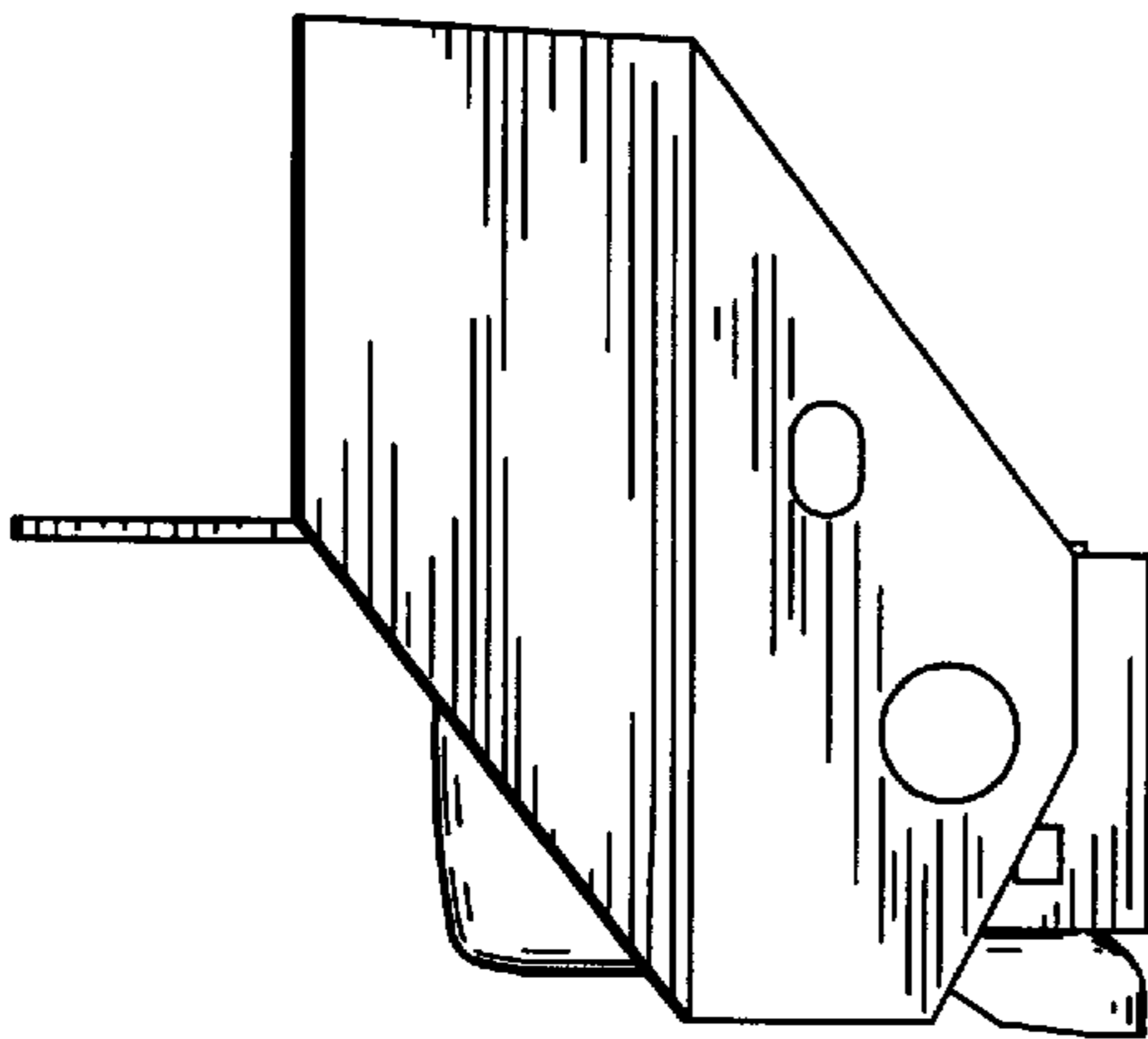


Figure 6

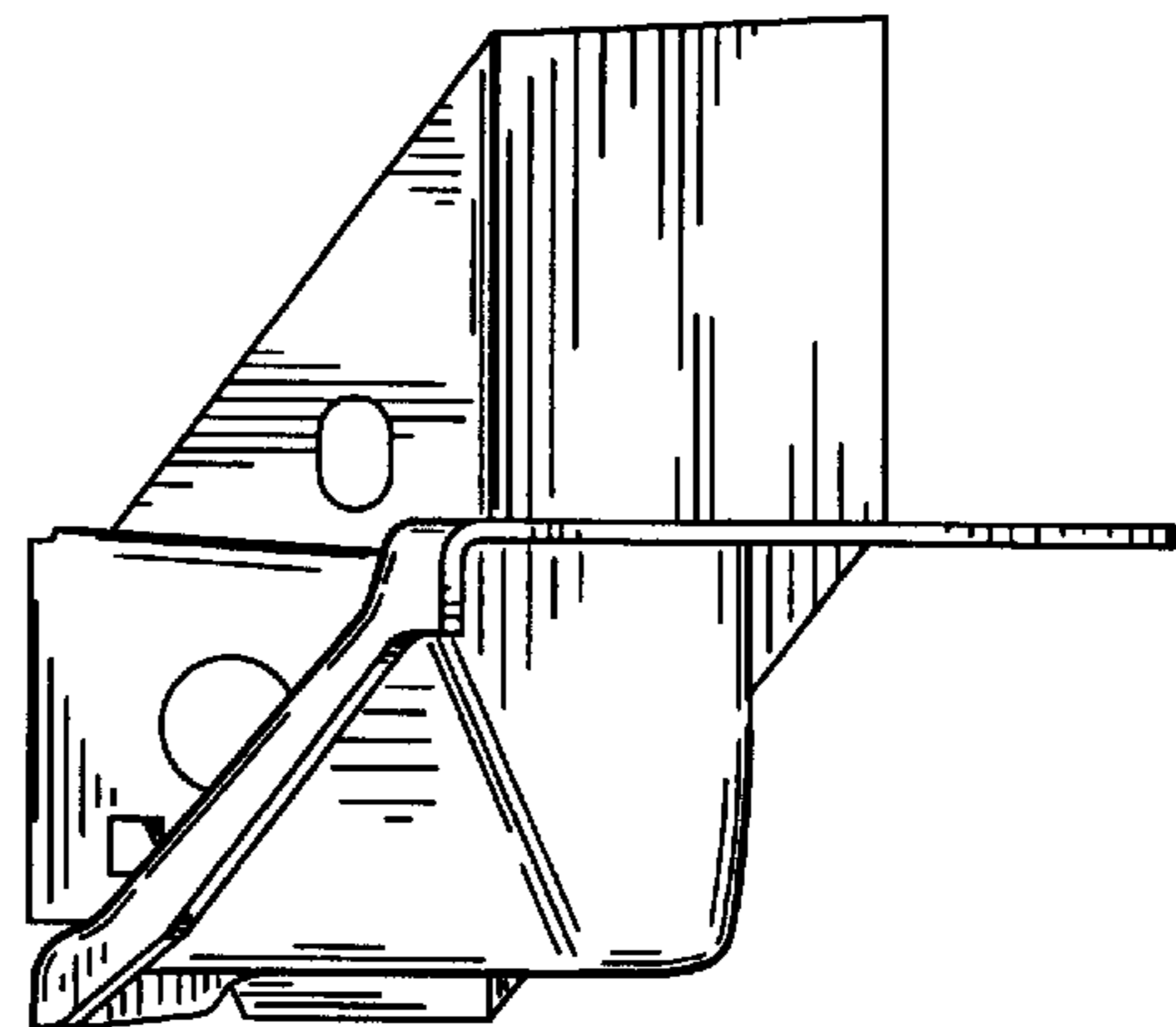


Figure 7