



US00D489599S

(12) **United States Design Patent**
Lam

(10) **Patent No.:** **US D489,599 S**

(45) **Date of Patent:** **** May 11, 2004**

(54) **WALL MOUNTING SYSTEM**

(75) **Inventor:** **Derrick Quang Lam, Cicero, IL (US)**

(73) **Assignee:** **Peerless Industries, Inc., Melrose Park, IL (US)**

(**) **Term:** **14 Years**

(21) **Appl. No.:** **29/182,363**

(22) **Filed:** **May 23, 2003**

(51) **LOC (7) Cl.** **08-05**

(52) **U.S. Cl.** **D8/363**

(58) **Field of Search** D8/349, 354, 363,
D8/373, 380; D14/375, 433, 451, 224;
248/127.1, 240, 278.1, 280.11, 284.1, 291.1,
309.1, 316.4, 917, 918, 919, 920, 921,
922, 923, 924; 361/681, 682, 825; D6/513,
553, 567

(56) **References Cited**

U.S. PATENT DOCUMENTS

- D202,817 S * 11/1965 Goda D8/355
- 4,449,172 A * 5/1984 Warshawsky 248/284.1
- 5,074,501 A * 12/1991 Holtta 248/118.3
- 5,537,290 A 7/1996 Brown et al.

- 5,611,513 A 3/1997 Rosen
- 5,812,368 A 9/1998 Chen et al.
- 5,967,479 A 10/1999 Sweere et al.
- 5,992,809 A 11/1999 Sweere et al.
- 6,019,332 A 2/2000 Sweere et al.
- D435,784 S * 1/2001 Kampe D8/363

* cited by examiner

Primary Examiner—Doris V. Coles

Assistant Examiner—Elizabeth A. Albert

(74) *Attorney, Agent, or Firm*—Foley & Lardner

(57) **CLAIM**

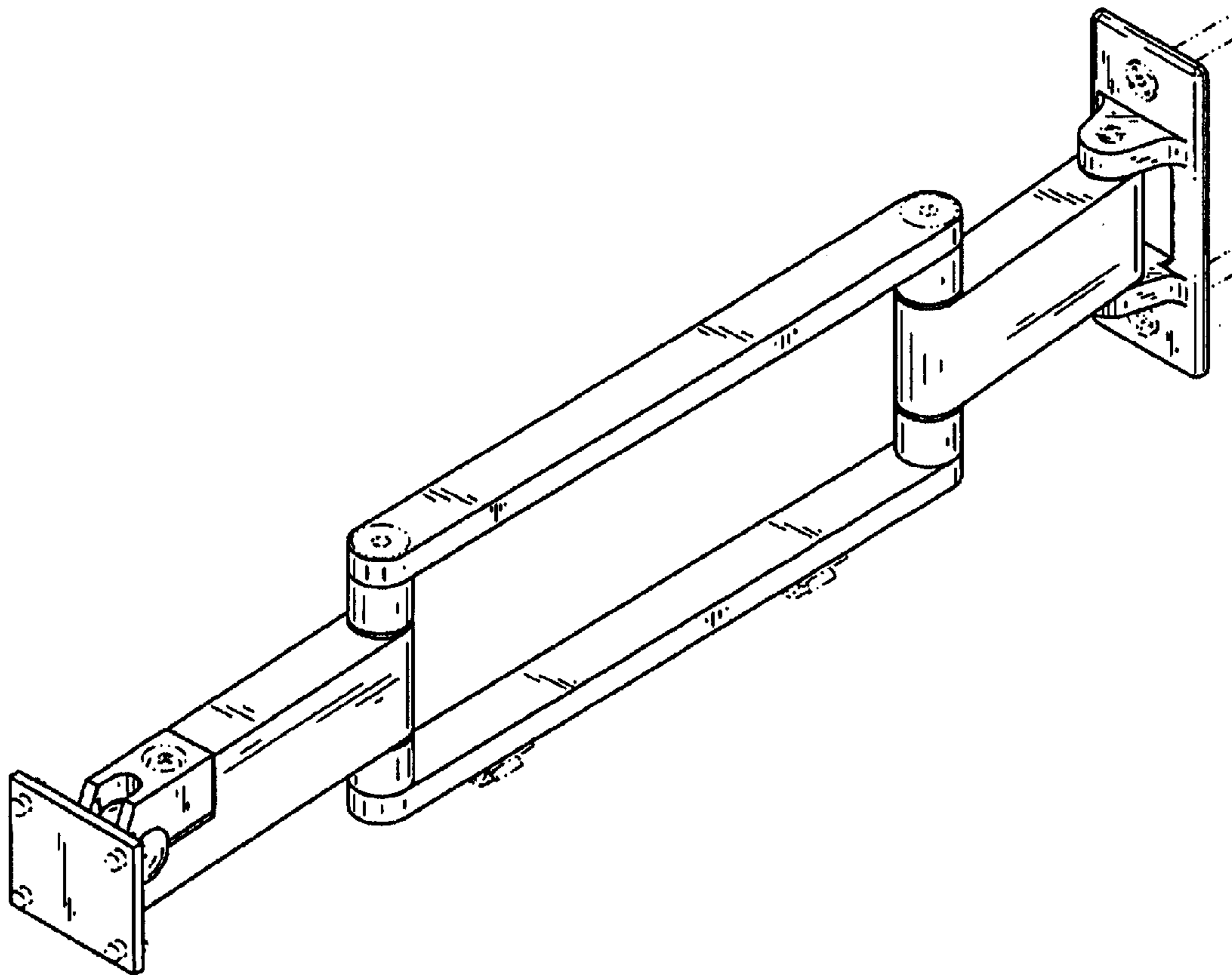
I claim the ornamental design for a wall mounting system, as shown and described.

DESCRIPTION

FIG. 1 is a perspective view of a wall mounting system showing my new design;
 FIG. 2 is a side view thereof;
 FIG. 3 is a top plan view thereof;
 FIG. 4 is a bottom plan view thereof;
 FIG. 5 is a front end view thereof; and,
 FIG. 6 is a rear end view thereof.

The broken lines in the drawings are for illustrative purposes only and form no part of the claimed design.

1 Claim, 3 Drawing Sheets



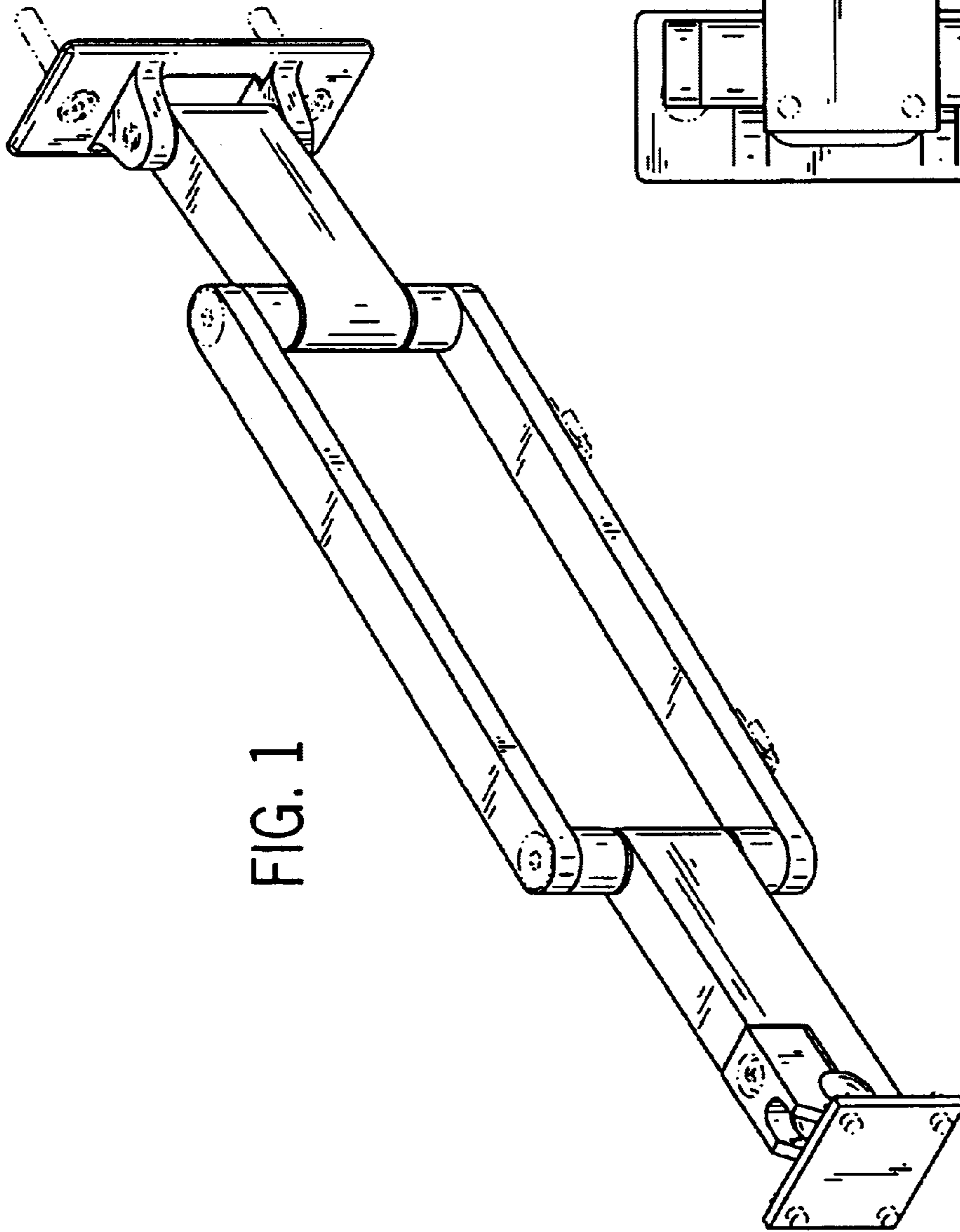


FIG. 1

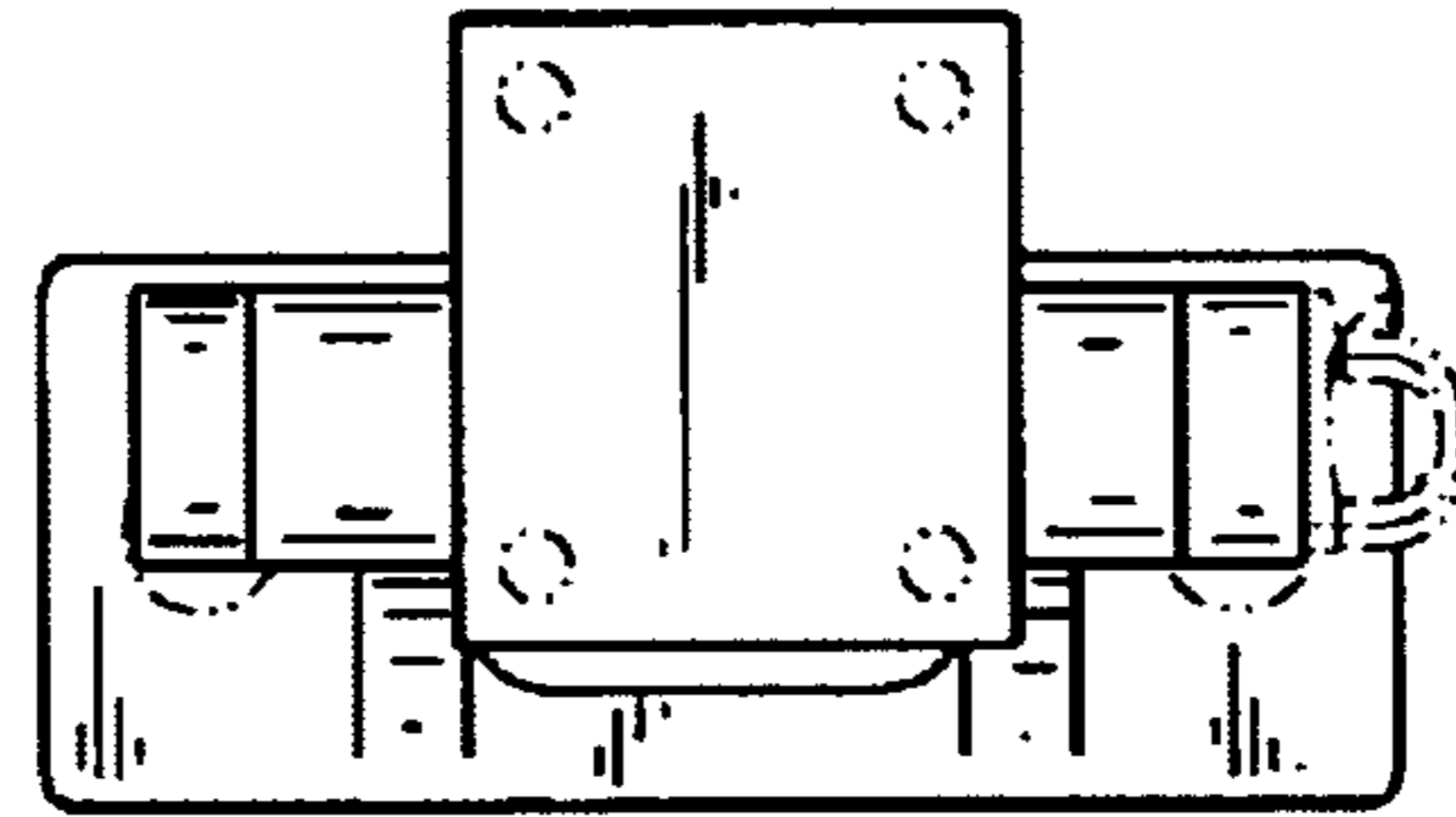


FIG. 5

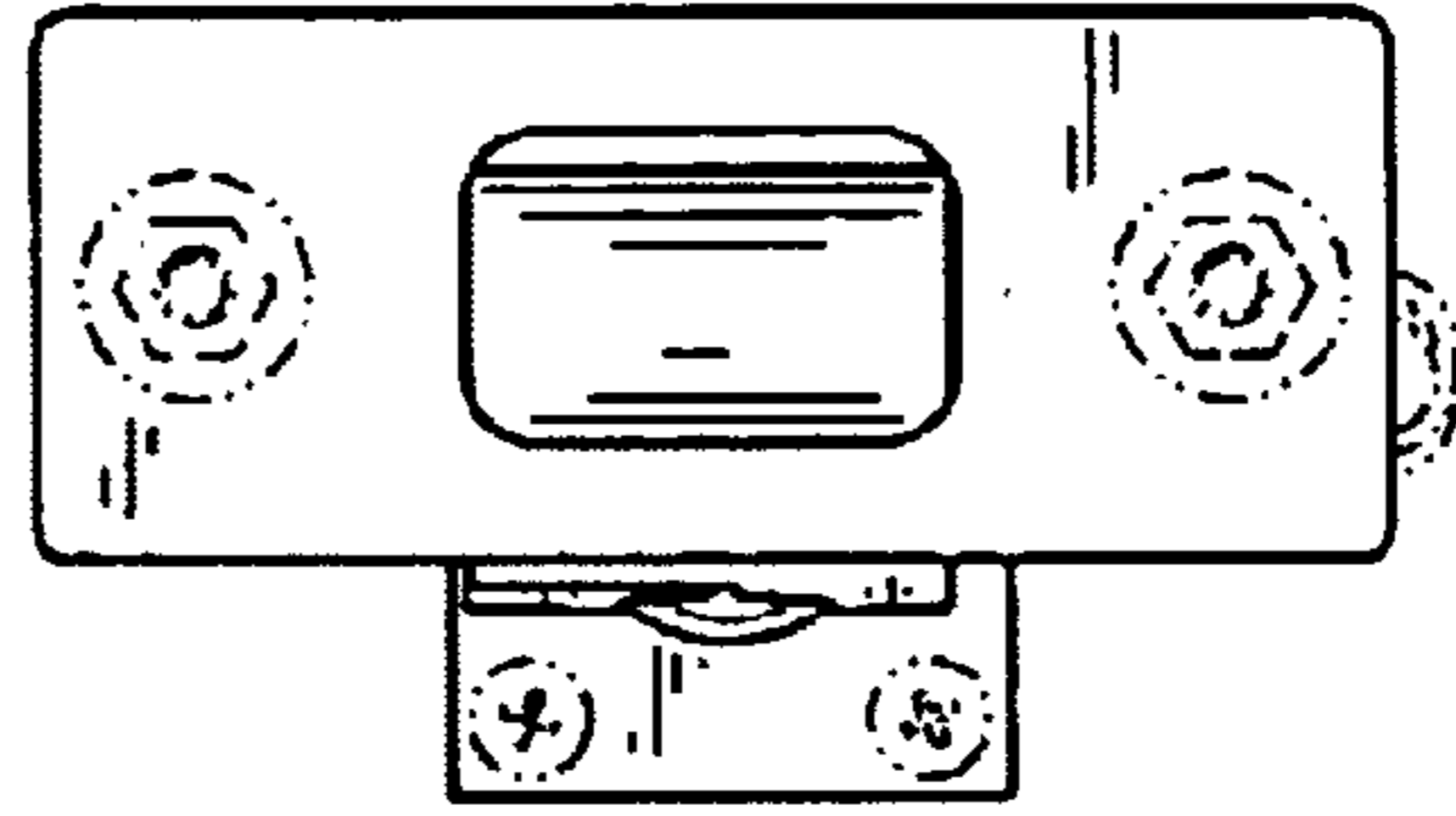


FIG. 6

FIG. 2

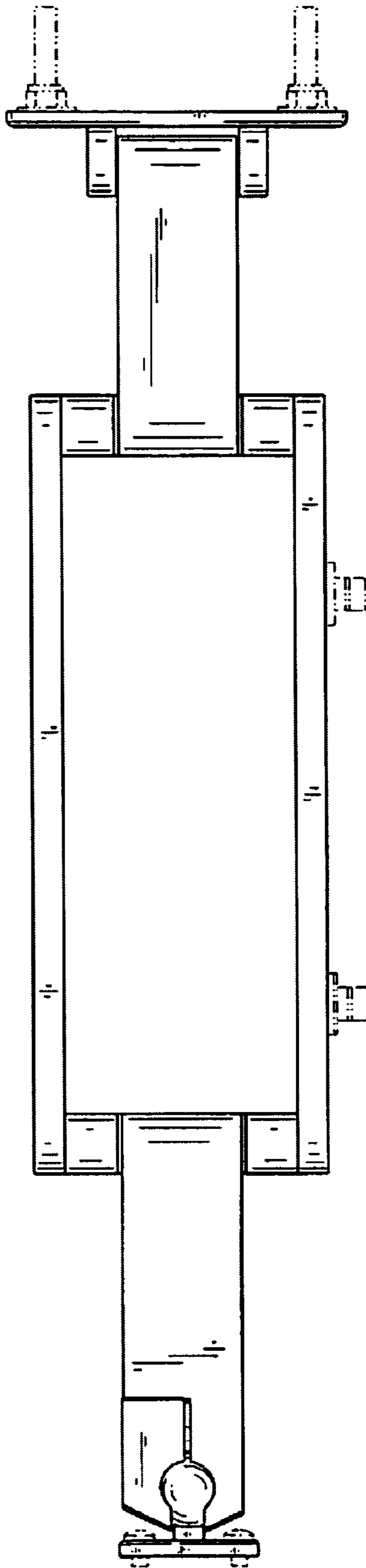


FIG. 3

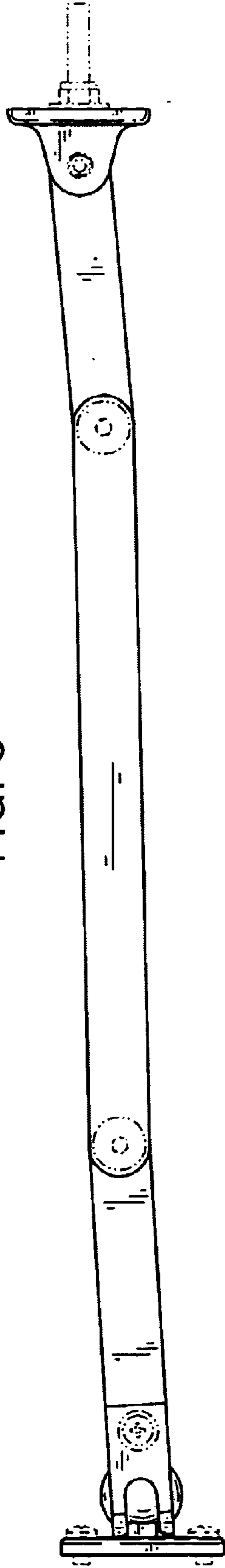


FIG. 4

