



US00D489597S

(12) **United States Design Patent**
Fulcher et al.

(10) **Patent No.:** **US D489,597 S**

(45) **Date of Patent:** **** May 11, 2004**

(54) **VEHICLE IMMOBILIZER WITH INDEXING LOOP**

(75) Inventors: **Robert A. Fulcher**, Grand Junction, CO (US); **Allan E. Beavers**, Grand Junction, CO (US)

(73) Assignee: **Miti Manufacturing Co., Inc.**, Grand Junction, CO (US)

(**) Term: **14 Years**

(21) Appl. No.: **29/191,540**

(22) Filed: **Oct. 8, 2003**

(51) **LOC (7) Cl.** **08-07**

(52) **U.S. Cl.** **D8/341; D8/330**

(58) **Field of Search** D12/217, 400; D8/330, 341, 336-339, 349; 70/14, 18, 225, 226, 259, 38, 53, 258, 19; 248/231.5; 188/32

(56) **References Cited**

U.S. PATENT DOCUMENTS

| | | | | | |
|-------------|---|---------|----------|-------|--------|
| D275,073 S | * | 8/1984 | Winter | | D8/330 |
| 4,819,462 A | * | 4/1989 | Apsell | | 70/14 |
| 4,854,144 A | * | 8/1989 | Davis | | 70/226 |
| 5,214,944 A | * | 6/1993 | Wolthoff | | 70/226 |
| 5,333,477 A | * | 8/1994 | Davis | | 70/226 |
| 5,375,442 A | * | 12/1994 | Hammer | | 70/226 |
| 5,385,038 A | * | 1/1995 | Walker | | 70/14 |

D385,525 S * 10/1997 Beavers et al. D12/217

5,873,275 A * 2/1999 Lukich 70/226

D419,424 S * 1/2000 Holden D8/341

D427,886 S * 7/2000 Markegard et al. D8/341

6,662,607 B2 * 12/2003 O'Neal 70/226

* cited by examiner

Primary Examiner—Stacia Cadmus

(74) *Attorney, Agent, or Firm*—Sheridan Ross P.C.

(57) **CLAIM**

The ornamental design for a vehicle immobilizer with indexing loop, as shown and described.

DESCRIPTION

FIG. 1 is a perspective view of a vehicle immobilizer with indexing loop;

FIG. 2 is a top plan view of the invention illustrated in FIG. 1;

FIG. 3 is a front elevation view of the invention illustrated in FIG. 1;

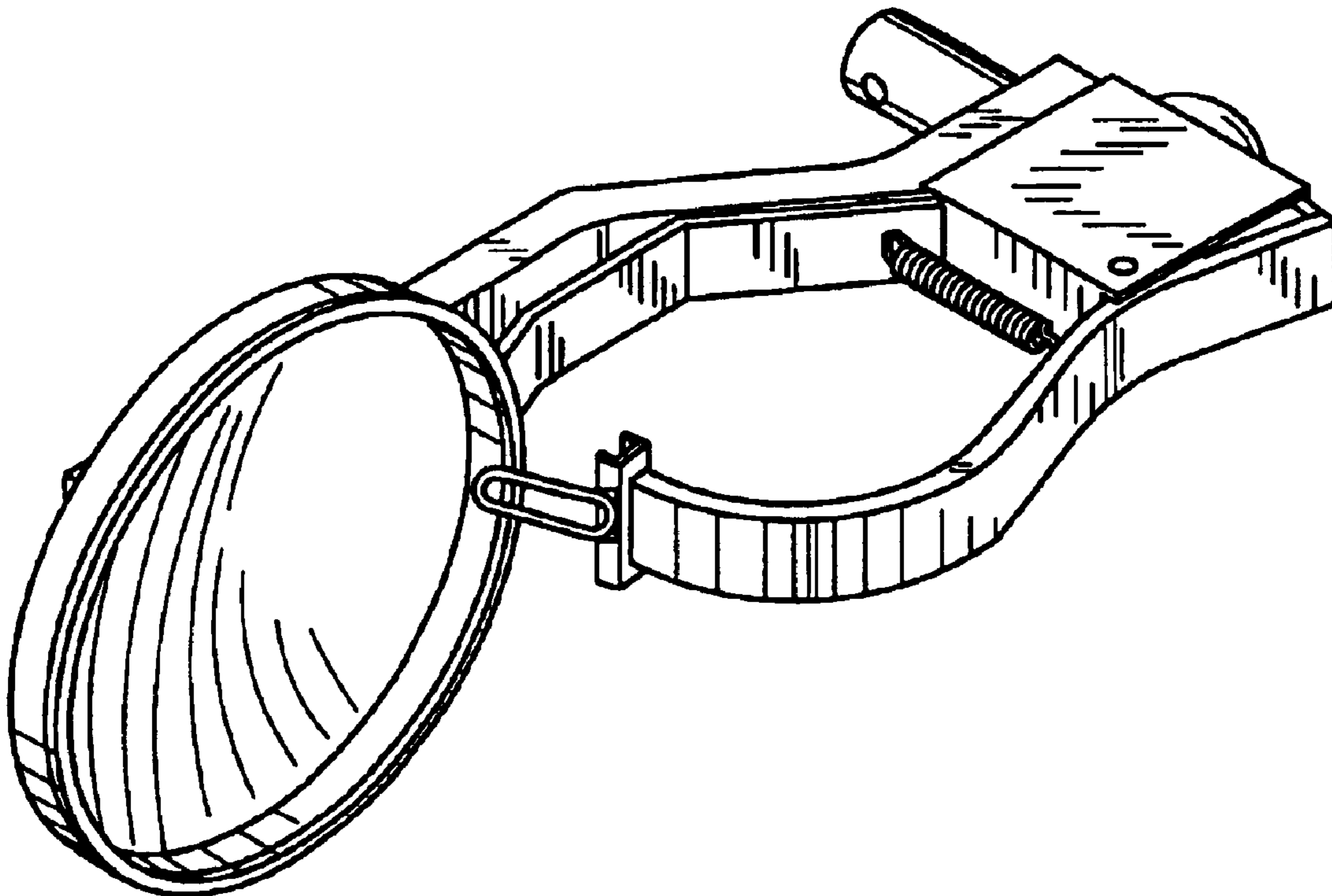
FIG. 4 is a bottom plan view of the invention illustrated in FIG. 1;

FIG. 5 is a left elevation view of the invention illustrated in FIG. 1;

FIG. 6 is a rear elevation view of the invention illustrated in FIG. 1; and,

FIG. 7 is a right elevation view of the invention illustrated in FIG. 1.

1 Claim, 2 Drawing Sheets



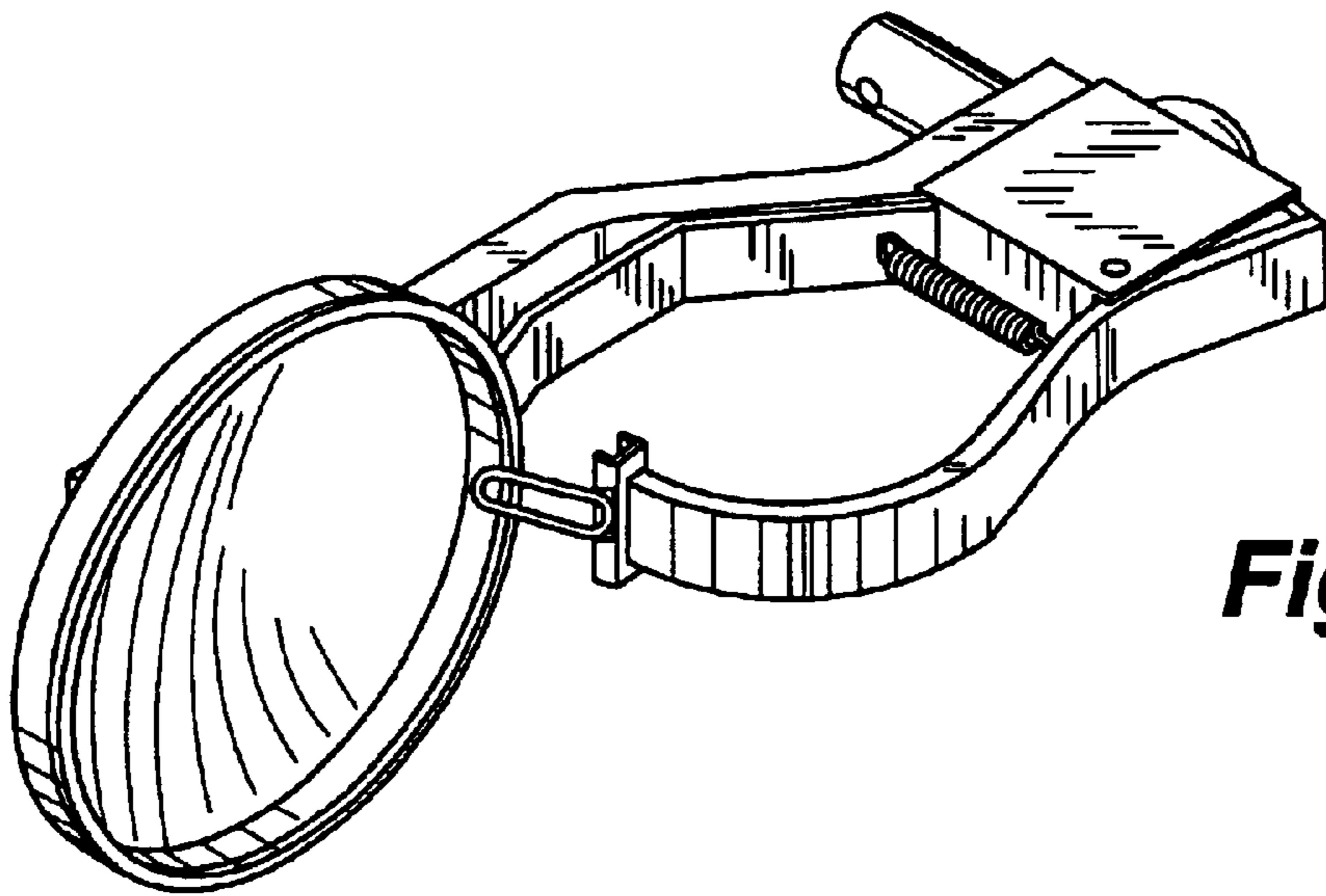


Fig. 1

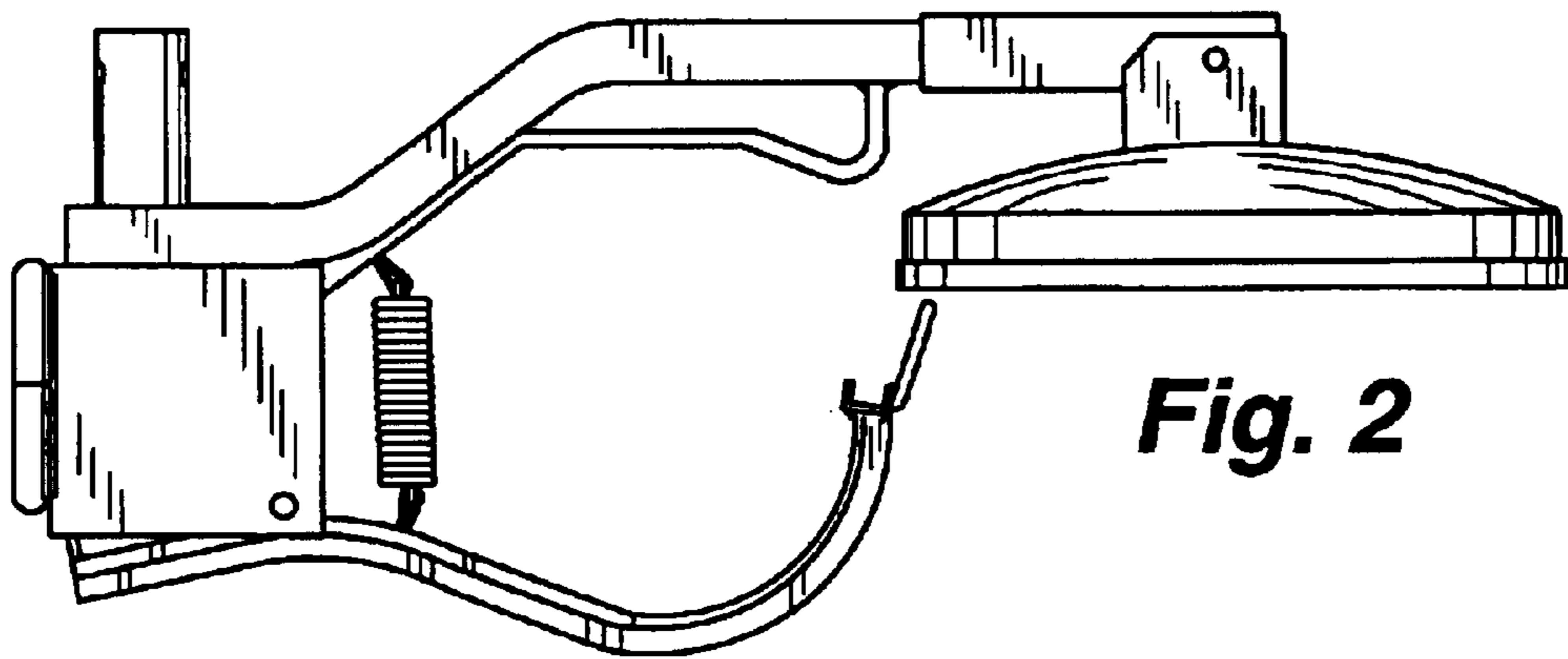


Fig. 2

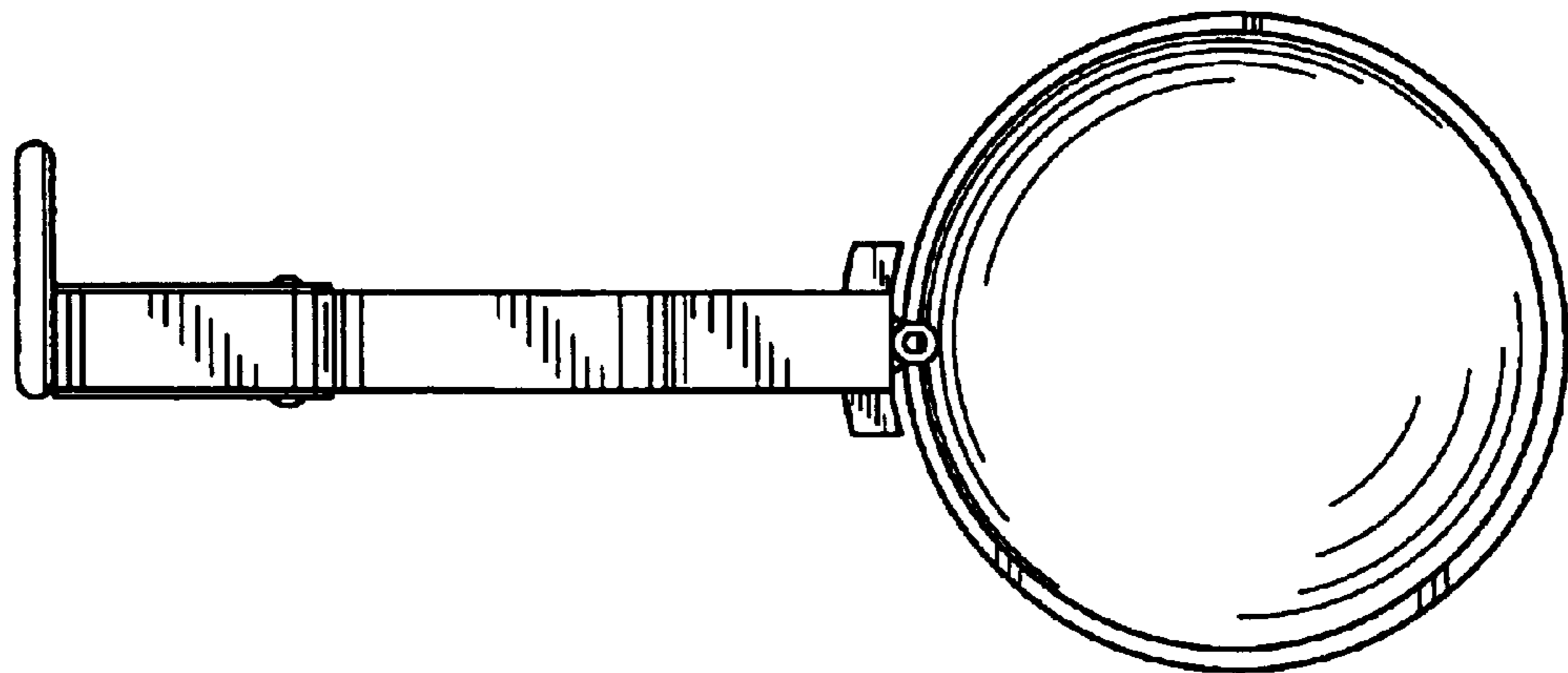


Fig. 3

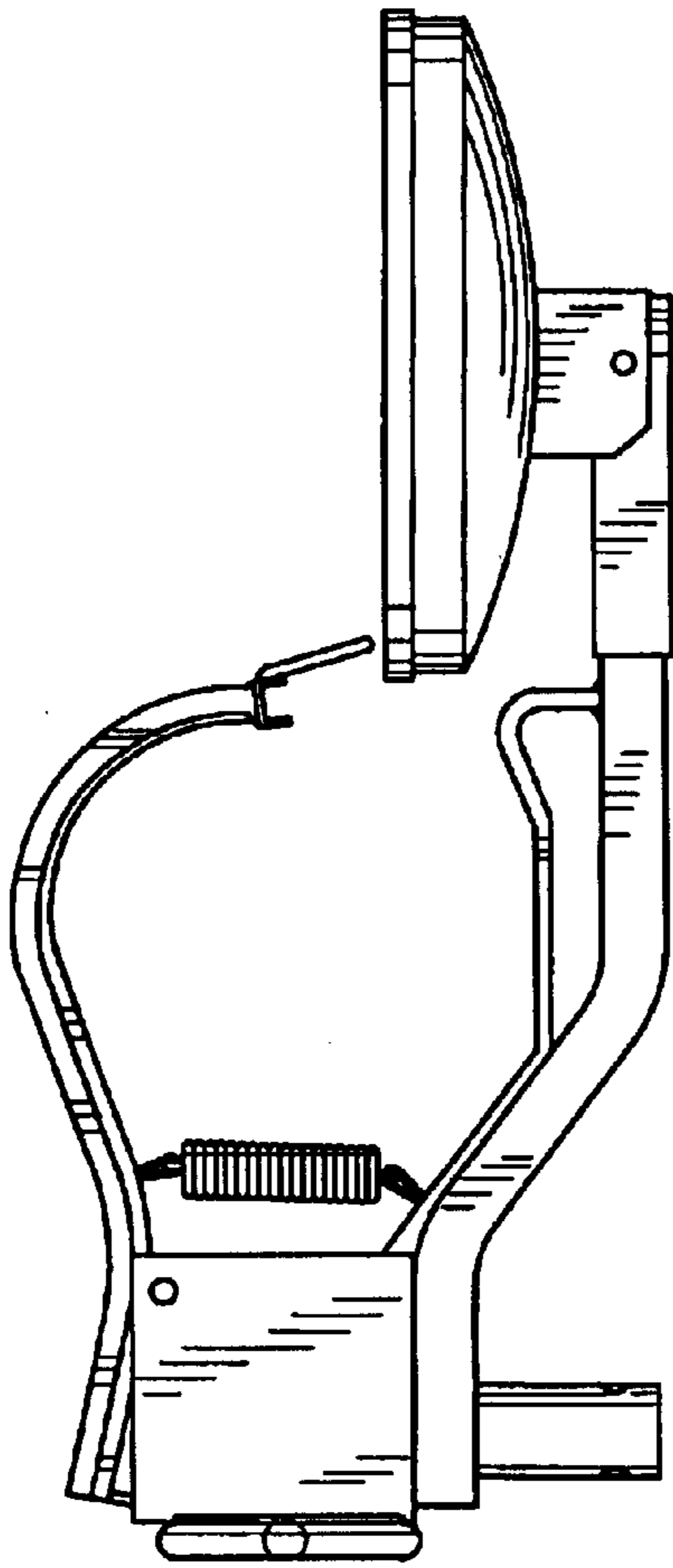


Fig. 4

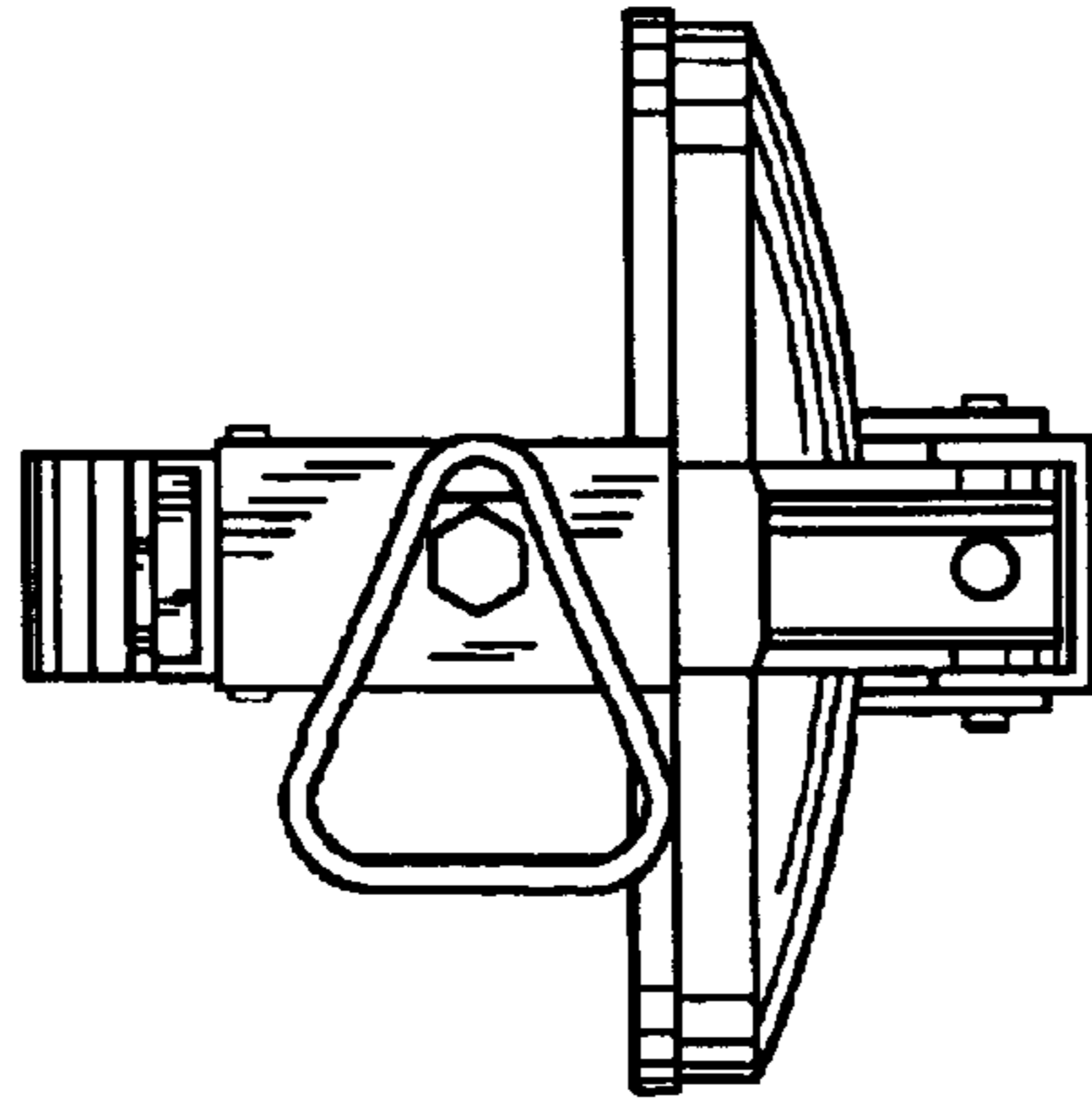


Fig. 5

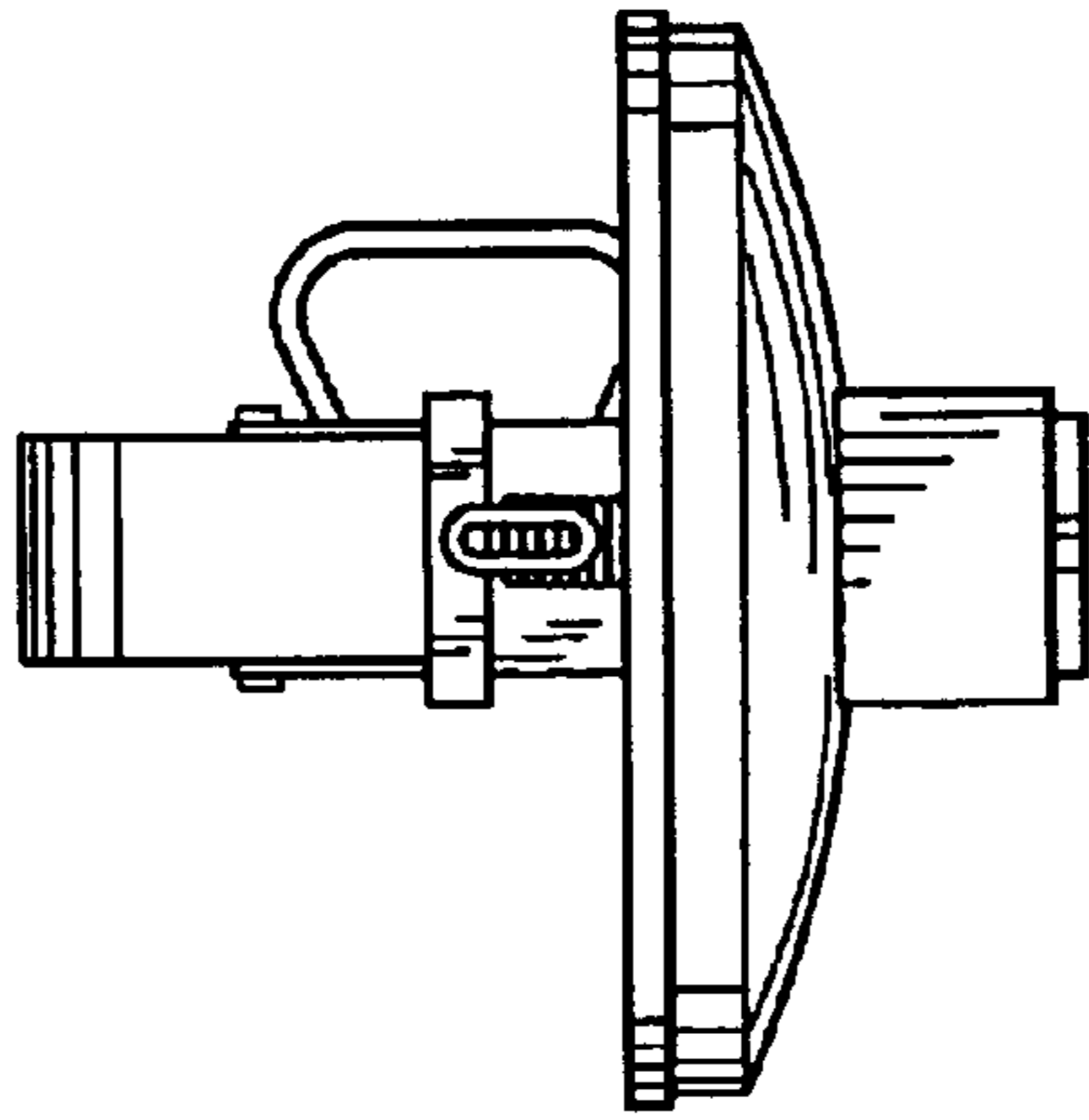


Fig. 7

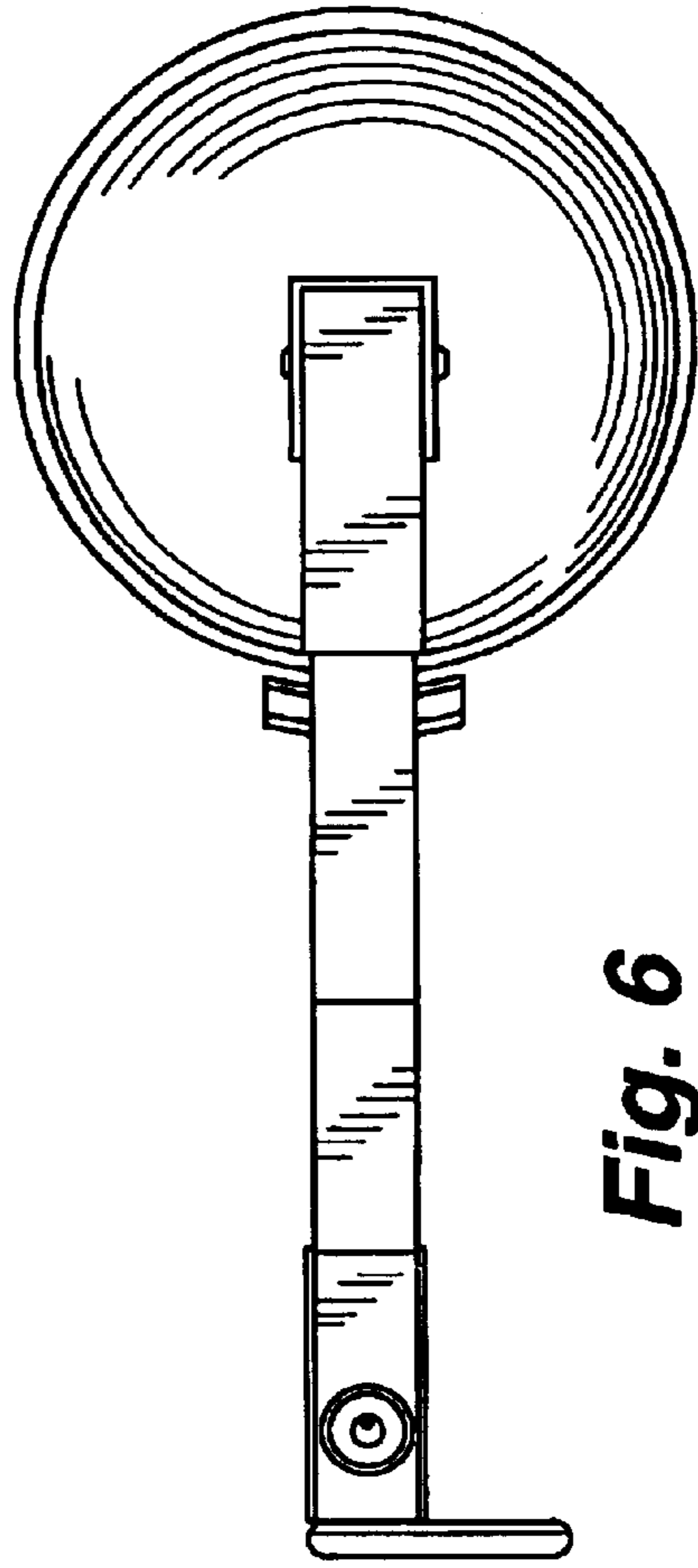


Fig. 6