



US00D489594S

(12) **United States Design Patent**
Tellinghuisen

(10) **Patent No.: US D489,594 S**

(45) **Date of Patent: ** May 11, 2004**

(54) **TOILET SEAT HANDLE**

(76) **Inventor: Gordy A. Tellinghuisen**, 6871 4th Pl.
North, Oakdale, MN (US) 55128

(**) **Term: 14 Years**

(21) **Appl. No.: 29/180,724**

(22) **Filed: Apr. 29, 2003**

(51) **LOC (7) Cl. 08-06**

(52) **U.S. Cl. D8/307; D8/310; D8/350**

(58) **Field of Search D8/300, 305, 307,**
D8/308, 310, 351, 350; D23/311, 312;
D11/134, 137, 140, 133, 139, 114, 115,
100; 4/246.1, 246.3; 16/905, 904, 430,
443

D329,187 S	*	9/1992	Sorensen	D8/307
D343,373 S	*	1/1994	Nelson	D11/133
D351,550 S	*	10/1994	Clark et al.	D8/307
5,553,332 A		9/1996	Hazard		
5,619,758 A		4/1997	Burkett		
5,729,839 A		3/1998	Bigelow		
D406,884 S	*	3/1999	Goss	D23/311
D418,387 S	*	1/2000	O'Neil	D8/310
6,009,569 A		1/2000	Ferrara		
6,212,694 B1		4/2001	Porzio		
6,415,454 B1		7/2002	Pierson		

* cited by examiner

Primary Examiner—B. J. Bullock

(57) **CLAIM**

The ornamental design for a toilet seat handle, as shown and described.

(56) **References Cited**

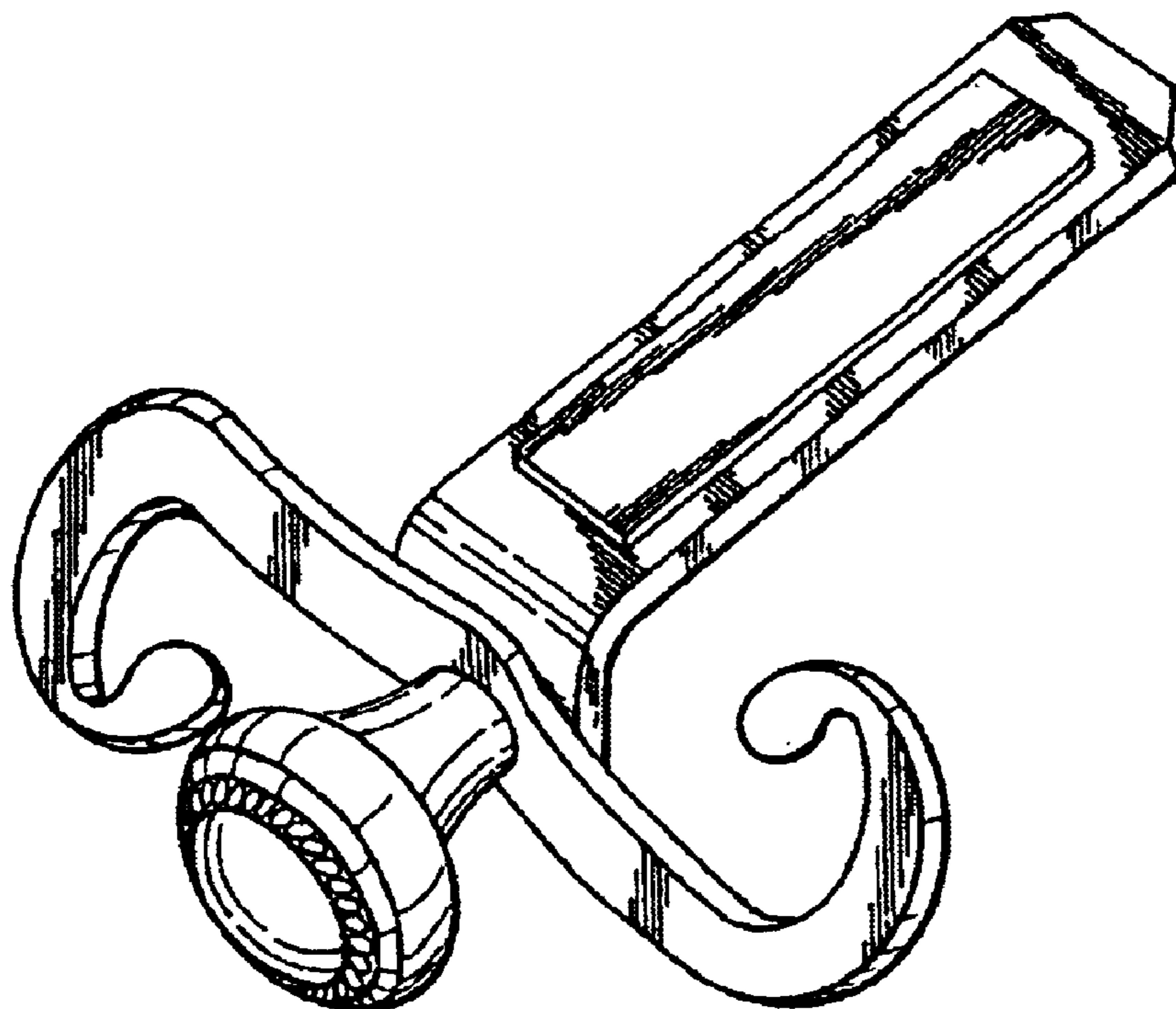
U.S. PATENT DOCUMENTS

D99,163 S	*	3/1936	Kramer	D8/308
D118,110 S	*	12/1939	Dahlgren	D8/305
D163,895 S	*	7/1951	Murphy	D11/114
2,839,670 A	*	6/1958	Gladstone	D8/351
D193,620 S	*	9/1962	Long	D11/133
3,191,193 A		6/1965	Bogenberger		
D265,446 S	*	7/1982	Valli	D8/310
D267,240 S	*	12/1982	Ditto	D11/139
D295,604 S		5/1988	Purdy		
5,086,523 A		2/1992	De Mott et al.		

DESCRIPTION

FIG. 1 is a perspective view of the toilet seat handle showing my new design;
FIG. 2 is a front elevational view thereof;
FIG. 3 is a rear elevational view thereof;
FIG. 4 is a left side elevational view thereof;
FIG. 5 is a bottom plan view thereof;
FIG. 6 is a top plan view thereof; and,
FIG. 7 is an inverted right side elevational view thereof.
FIGS. 2-7 are shown on an enlarged scale.

1 Claim, 2 Drawing Sheets



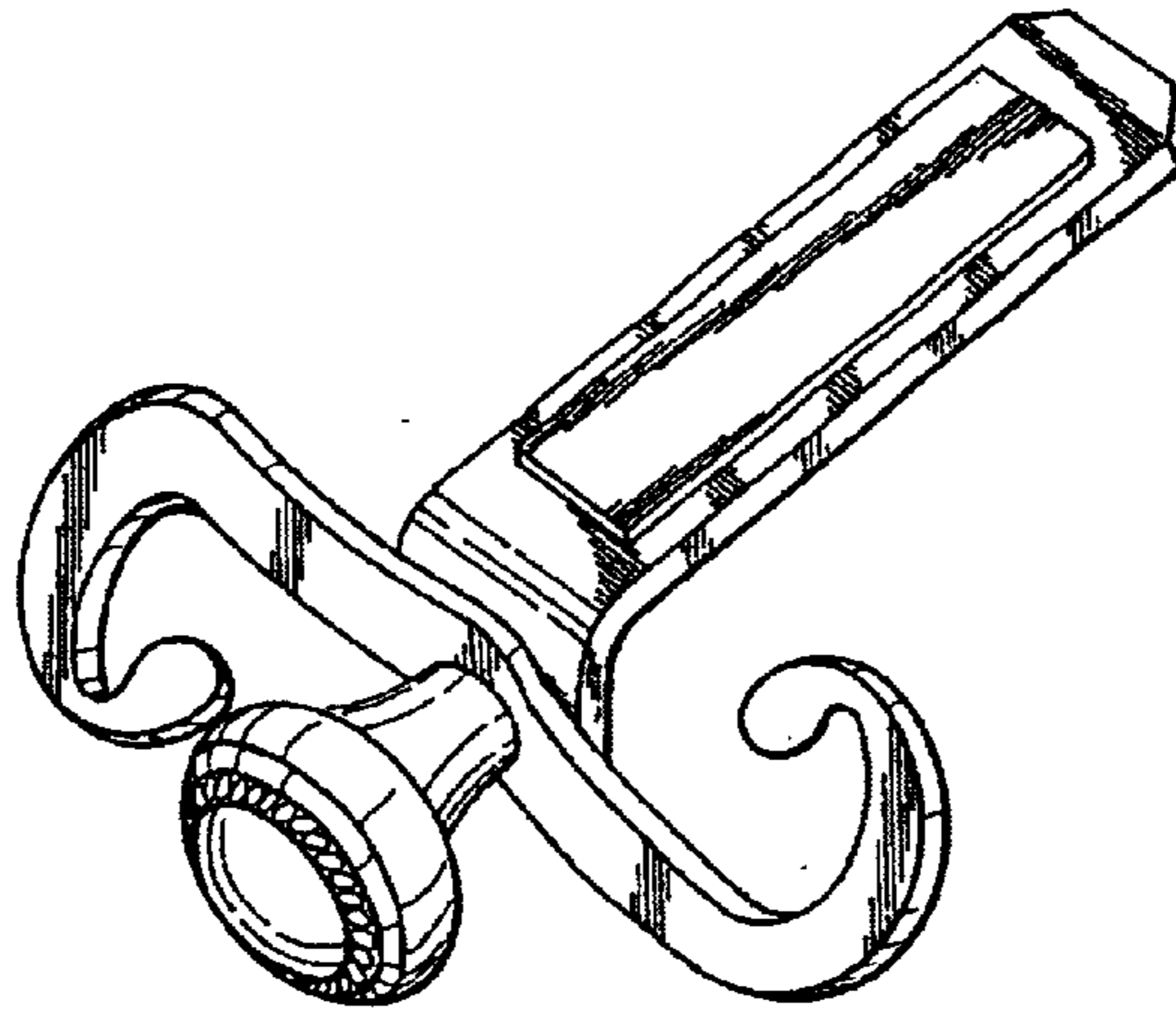


FIG. 1

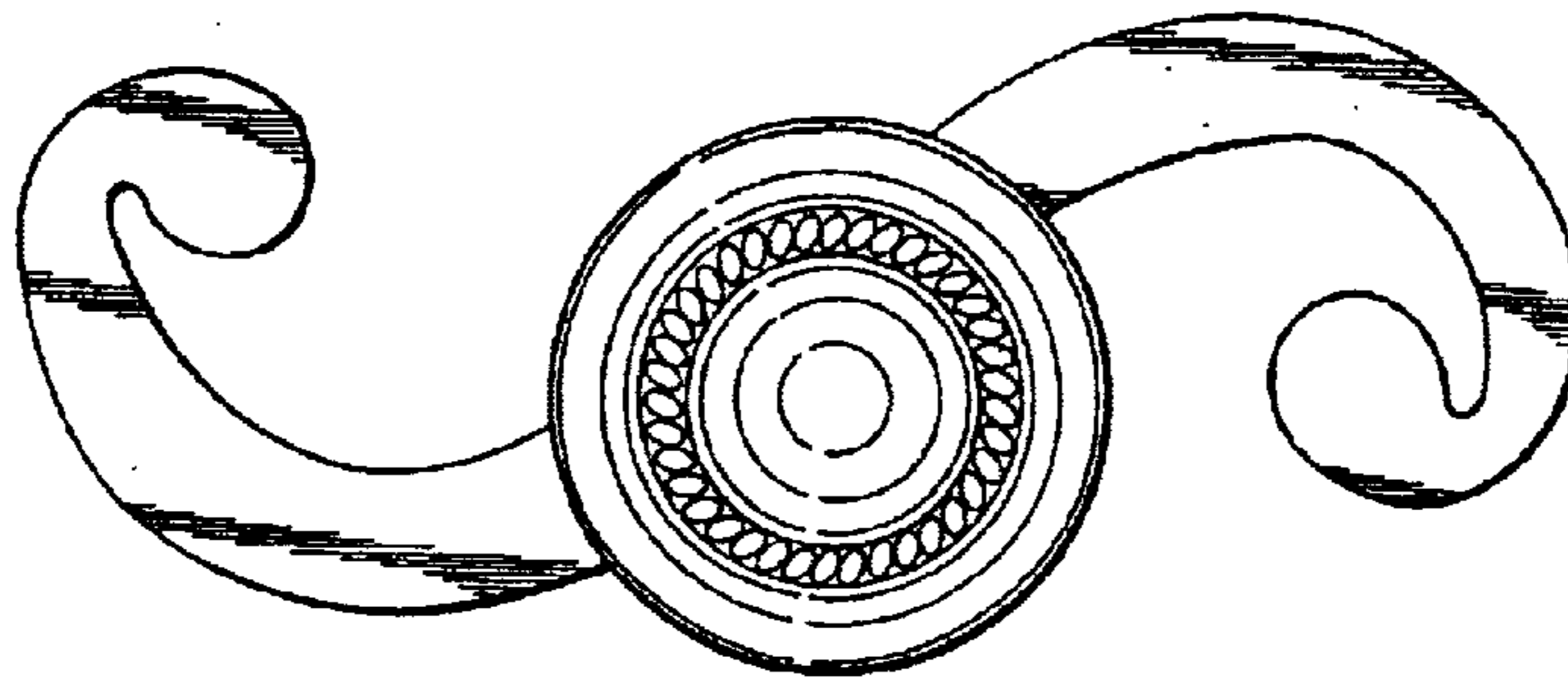


FIG. 2

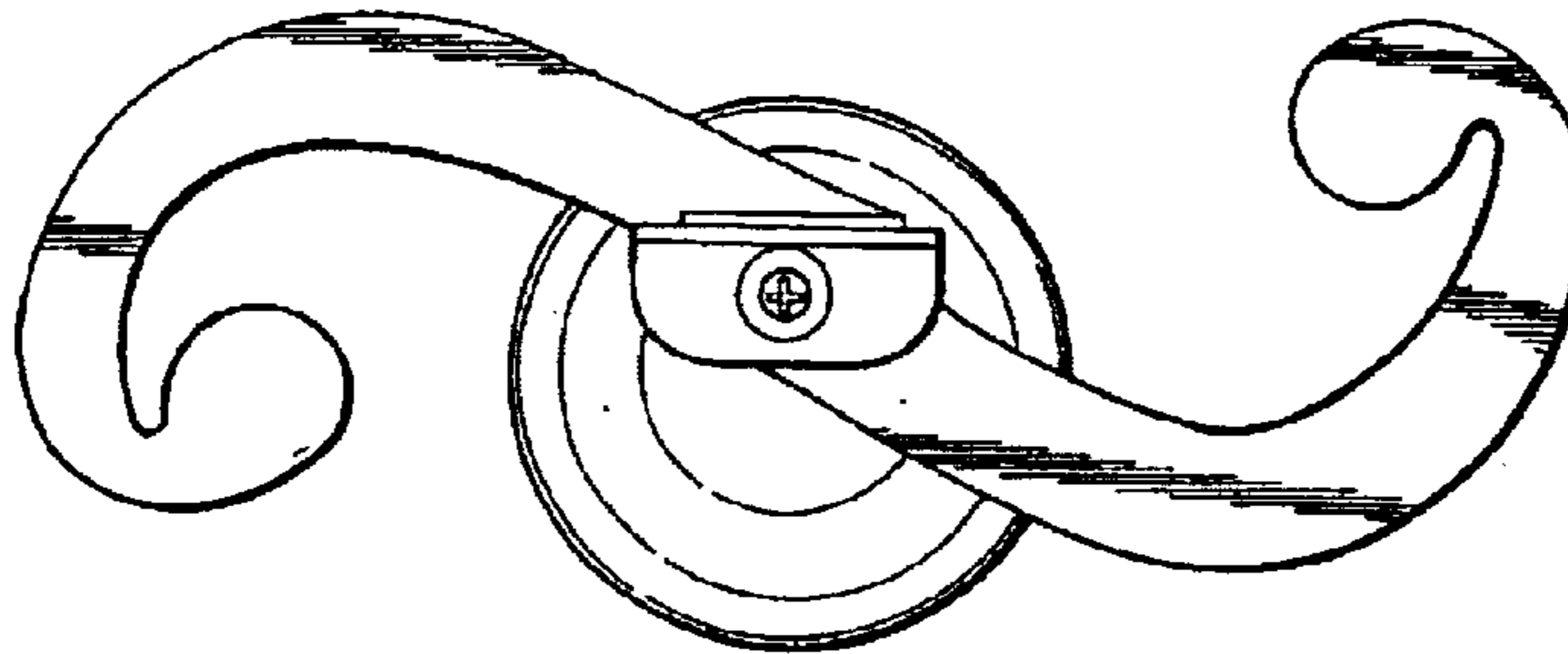


FIG. 3

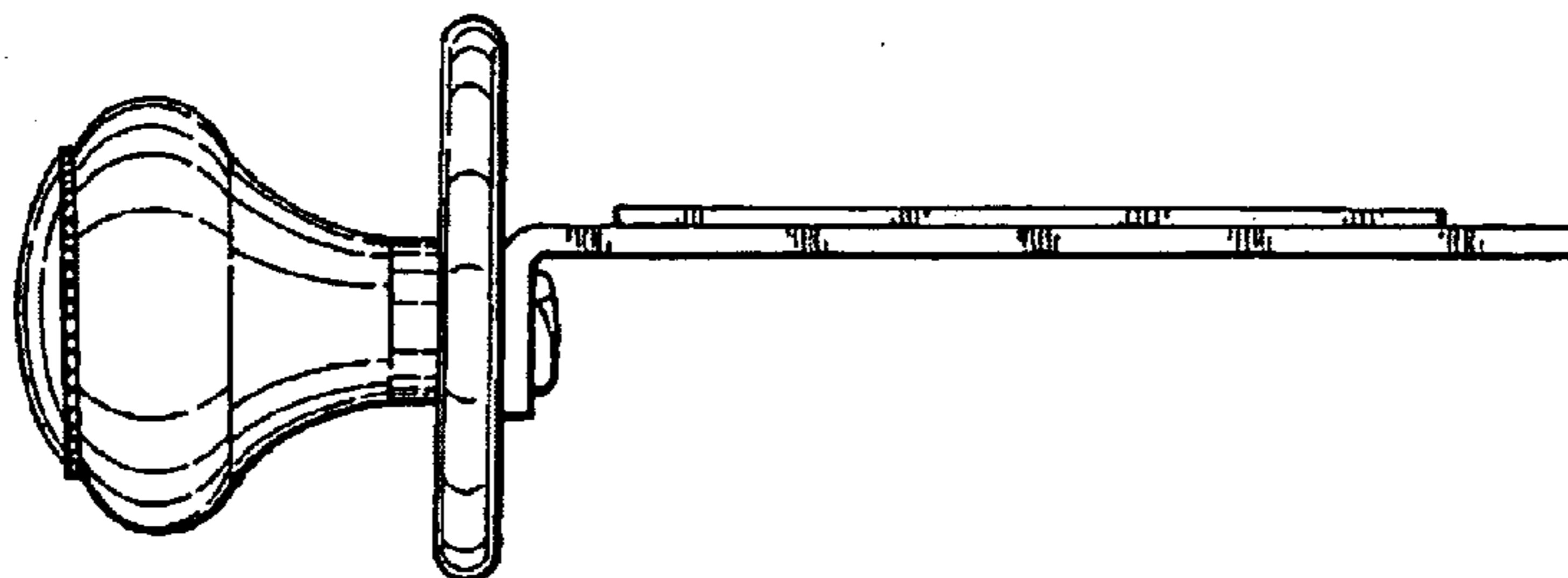


FIG. 4

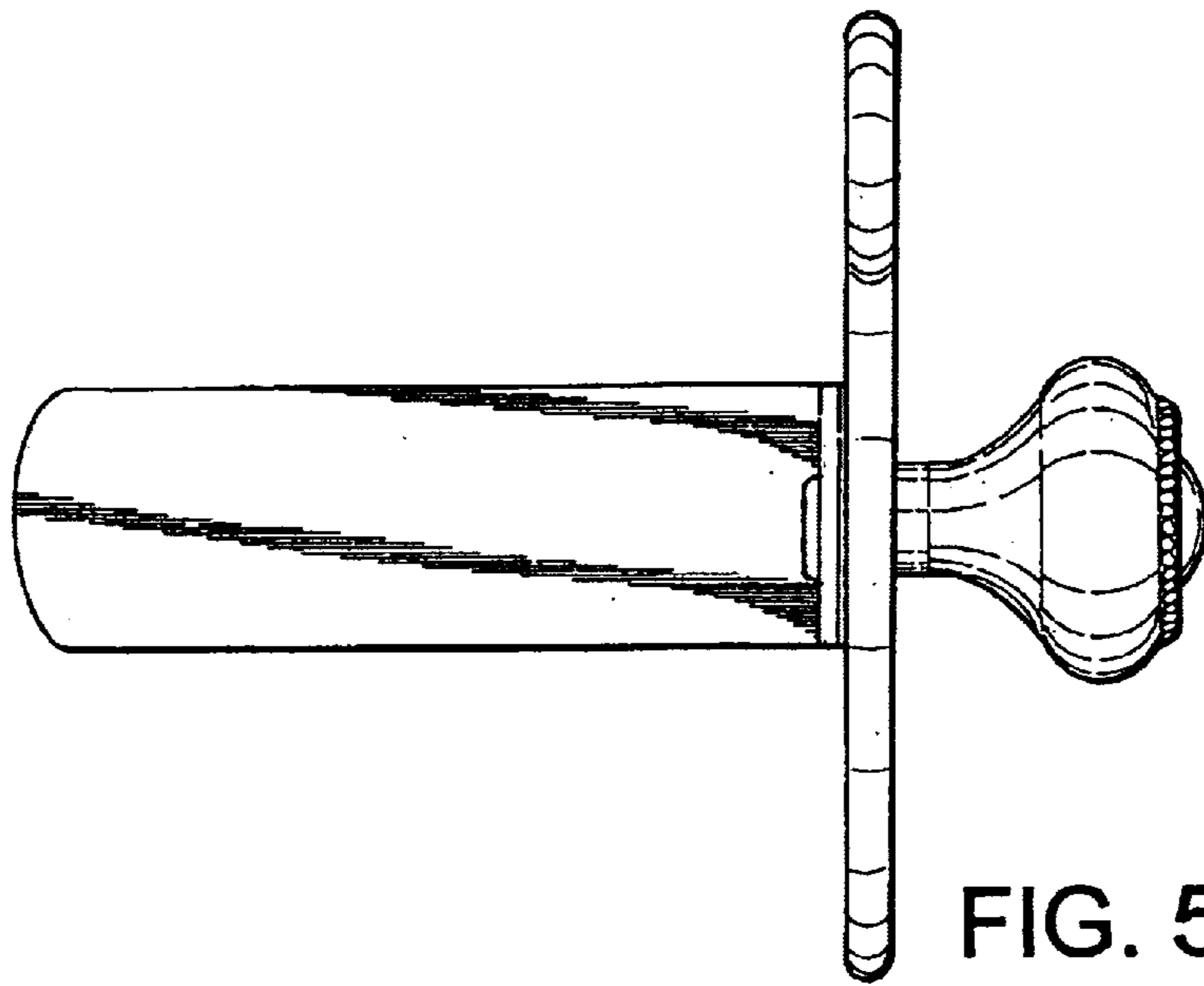


FIG. 5

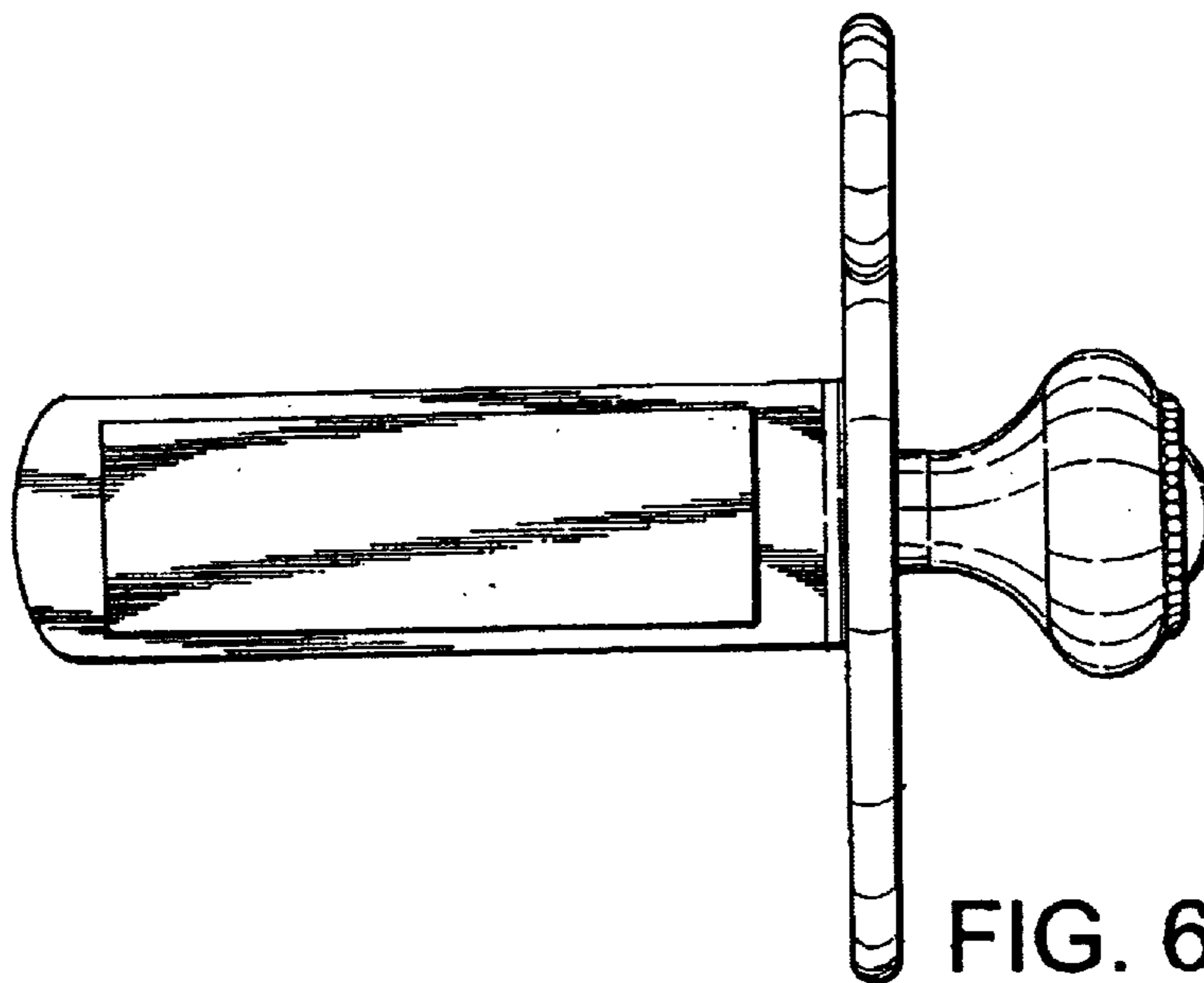


FIG. 6

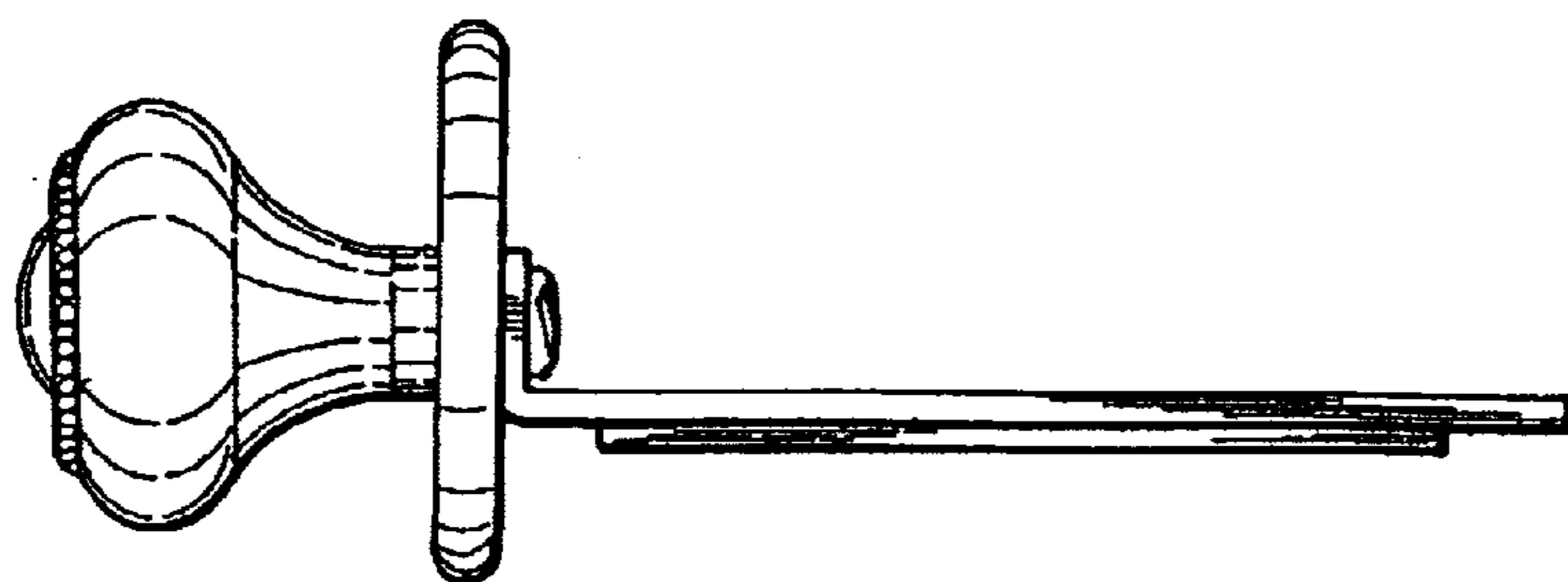


FIG. 7