



US00D489591S

(12) **United States Design Patent**
Willer et al.

(10) **Patent No.:** **US D489,591 S**
(45) **Date of Patent:** **** May 11, 2004**

- (54) **CIRCULAR SAW**
- (75) Inventors: **Mark Willer**, Brookfield, WI (US);
Christopher Berg, Milwaukee, WI (US); **Dale Di Iulio**, Grafton, WI (US)
- (73) Assignee: **Milwaukee Electric Tool Corporation**, Brookfield, WI (US)
- (**) Term: **14 Years**
- (21) Appl. No.: **29/168,395**
- (22) Filed: **Oct. 1, 2002**
- (51) **LOC (7) Cl.** **08-03**
- (52) **U.S. Cl.** **D8/66**
- (58) **Field of Search** D8/64, 66, 67,
D8/69, 70; 30/375, 376, 377, 388, 389,
390, 391; 83/666, 863; 144/218

- JP 11058303 A2 3/1999
- JP 00015602 A2 1/2000
- JP 00176908 A2 6/2000
- WO WO 00/43179 7/2000

OTHER PUBLICATIONS

- Skil, Jan.–Jun. 1974 Consumer Catalog CP–514, Published Jan. 1, 1974.
- Skil, 1973 Catalog for Industry and Construction 1–113, Published Jan. 1, 1973.
- Makita Metal Cutting Saw Website, visited Jan. 4, 2002.
- Portion of Bosch Owners Manual, Published on/or about Jul. 14, 2000.
- Makita 5044KB—4" Circular Saw Website, visited Apr. 11, 2002.
- Panasonic Cordless Professional Power Tools, 15.6V Metal Cutter/EY3530FQMKW Website, visited Jun. 23, 2000.
- Makita On–Line Product Catalog, 18 Volt Cordless 5046 DWB.
- Makita General Catalog 1996–1997, printed Jan. 1, 1996.

(56) **References Cited**

U.S. PATENT DOCUMENTS

- 1,830,579 A 11/1931 Wappat
- 2,795,248 A 6/1957 Doerner
- 3,662,796 A 5/1972 Batistelli

(List continued on next page.)

FOREIGN PATENT DOCUMENTS

- DE 1 040 771 10/1958
- DE 27 54 186 A1 6/1979
- EP 0 055 896 7/1982
- EP 0 810 072 A2 12/1997
- GB 2 302 058 1/1997
- GB 2 339 404 1/2000
- JP 63-7218 1/1988
- JP 05004201 A2 1/1993
- JP 05031701 A2 2/1993
- JP 05318403 A2 12/1993
- JP 06278101 A2 10/1994
- JP 06278102 A2 10/1994
- JP 06278103 A2 10/1994
- JP 09164508 A2 6/1997

Primary Examiner—Doris V. Coles
Assistant Examiner—Elizabeth A. Albert
 (74) *Attorney, Agent, or Firm*—Michael Best & Friedrich LLP

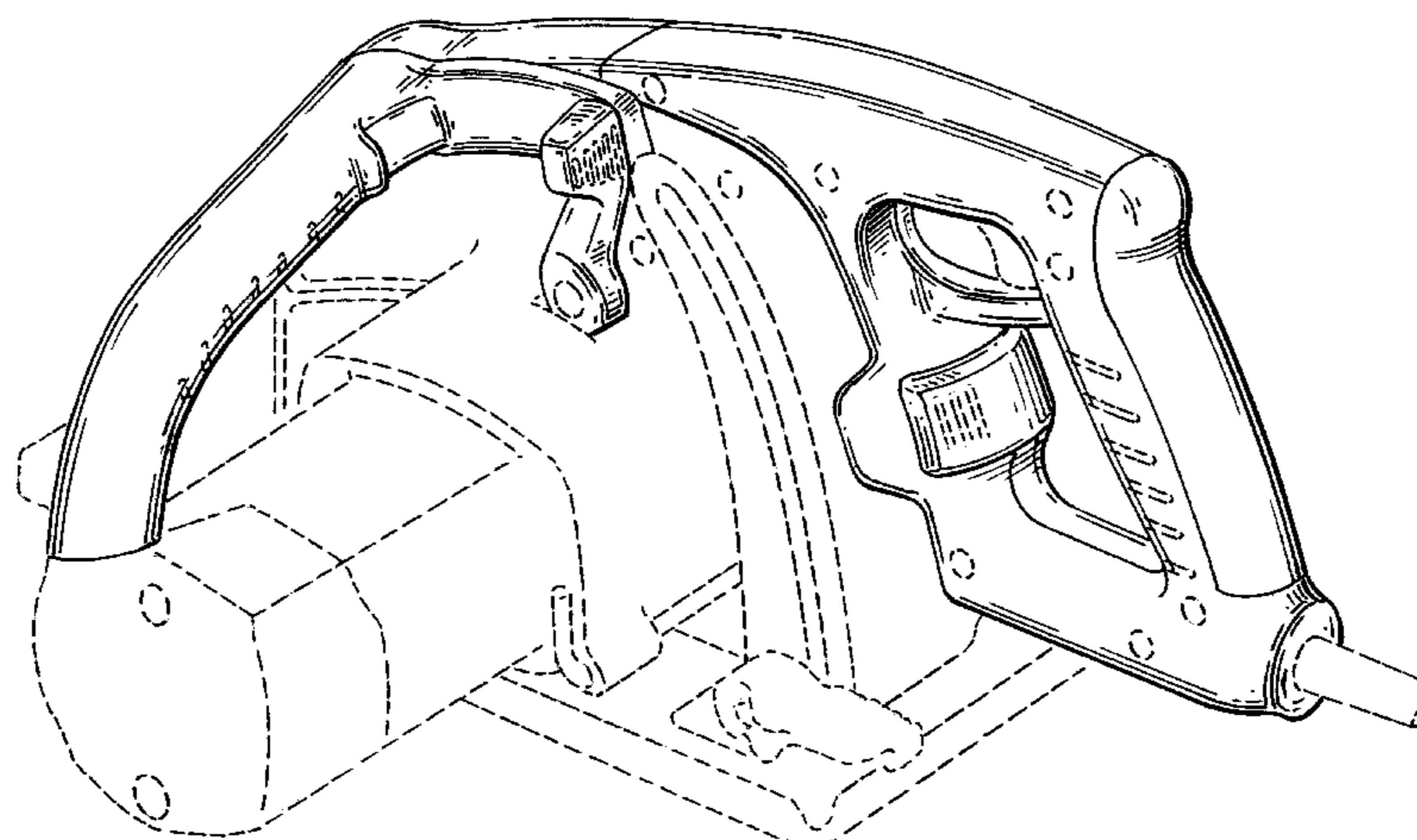
(57) **CLAIM**

We claim the ornamental design for a circular saw, as shown and described.

DESCRIPTION

FIG. 1 is a perspective view of a circular saw embodying the present invention;
 FIG. 2 is a rear view of the circular saw of FIG. 1;
 FIG. 3 is a front view of the circular saw of FIG. 1;
 FIG. 4 is a right side view of the circular saw of FIG. 1;
 FIG. 5 is a left side view of the circular saw of FIG. 1;
 FIG. 6 is a bottom view of the circular saw of FIG. 1; and,
 FIG. 7 is a top view of the circular saw of FIG. 1.
 The broken line showing of the environment is for illustrative purposes only and forms no part of the claimed design.

1 Claim, 7 Drawing Sheets



US D489,591 S

Page 2

U.S. PATENT DOCUMENTS

3,938,251 A	2/1976	Kareman	5,570,511 A	11/1996	Reich et al.
4,192,104 A	3/1980	Patenaude	5,588,213 A	12/1996	Swanberg
4,241,505 A	12/1980	Bodycomb, Jr. et al.	5,594,972 A	1/1997	Iverson
4,253,362 A	3/1981	Olson	D378,488 S	3/1997	Ito et al.
4,255,995 A	3/1981	Connor	5,675,895 A	10/1997	Mori et al.
4,414,743 A	11/1983	Pioch et al.	5,699,705 A	12/1997	Sibbet
4,450,627 A	5/1984	Morimoto	D390,081 S	* 2/1998	Price et al. D8/66
4,466,187 A	8/1984	Morimoto	5,737,843 A	4/1998	Fringer et al.
4,555,849 A	12/1985	Ando et al.	5,774,992 A	7/1998	Lindenmuth
4,589,208 A	5/1986	Iwasaka et al.	5,782,153 A	7/1998	Sasaki et al.
4,675,999 A	6/1987	Ito et al.	5,794,351 A	8/1998	Campbell et al.
4,721,023 A	1/1988	Bartlett et al.	5,819,619 A	10/1998	Miller et al.
4,787,145 A	* 11/1988	Klicker et al. 30/388	5,822,864 A	10/1998	Campbell et al.
4,847,513 A	7/1989	Katz et al.	D400,772 S	11/1998	Gallagher et al.
4,856,394 A	8/1989	Clowers	5,850,697 A	* 12/1998	Welch 30/391
4,873,766 A	10/1989	Johnston	5,850,698 A	* 12/1998	Hurn et al. 30/391
4,896,572 A	1/1990	Smyth et al.	5,855,157 A	1/1999	Okamura et al.
4,939,843 A	* 7/1990	Rogers 30/388	5,870,827 A	2/1999	Holst
5,005,295 A	4/1991	Fushiya	D408,248 S	4/1999	Zurwelle et al.
5,007,173 A	4/1991	Rush	D411,425 S	6/1999	Sugimoto et al.
5,012,582 A	5/1991	Bristol et al.	5,911,482 A	6/1999	Campbell et al.
5,023,999 A	6/1991	Looper et al.	5,924,208 A	* 7/1999	Saeki 30/388
5,033,192 A	7/1991	Franz et al.	5,927,171 A	7/1999	Sasaki et al.
5,074,044 A	12/1991	Duncan et al.	5,931,072 A	8/1999	Shibata
5,084,972 A	2/1992	Waugh	D415,000 S	10/1999	Sakai et al.
D326,399 S	5/1992	Fushiya et al.	D416,181 S	11/1999	Chung
5,121,543 A	6/1992	Onose et al.	D418,032 S	12/1999	Watson et al.
D329,363 S	9/1992	Sasaki et al.	6,009,782 A	1/2000	Tajima et al.
5,142,825 A	9/1992	Floyd	6,014,811 A	1/2000	Taomo et al.
5,146,682 A	9/1992	Blochle et al.	6,014,813 A	1/2000	Merino
D332,735 S	1/1993	Fushiya et al.	6,047,693 A	4/2000	Yamami et al.
D348,193 S	6/1994	Sasaki et al.	6,055,734 A	5/2000	McCurry et al.
5,327,649 A	7/1994	Skinner	6,057,608 A	5/2000	Bailey, Jr. et al.
5,349,752 A	9/1994	Stirm	6,075,341 A	6/2000	White et al.
5,370,025 A	12/1994	Itzov	D427,872 S	* 7/2000	Snider D8/66
5,440,809 A	8/1995	Padilla	D427,873 S	7/2000	Inoue
5,445,056 A	8/1995	Folci	D427,874 S	7/2000	Hayakawa et al.
D363,656 S	10/1995	Gierke	6,094,827 A	8/2000	Campbell
5,479,709 A	1/1996	Lai	6,167,626 B1	1/2001	Doumani et al.
5,517,763 A	5/1996	Schilling et al.	D445,013 S	7/2001	Etter et al.
5,537,748 A	7/1996	Takahashi et al.	6,269,543 B1	8/2001	Ohkouchi
D375,439 S	11/1996	Niwa et al.	6,308,424 B1	10/2001	Stelper

* cited by examiner

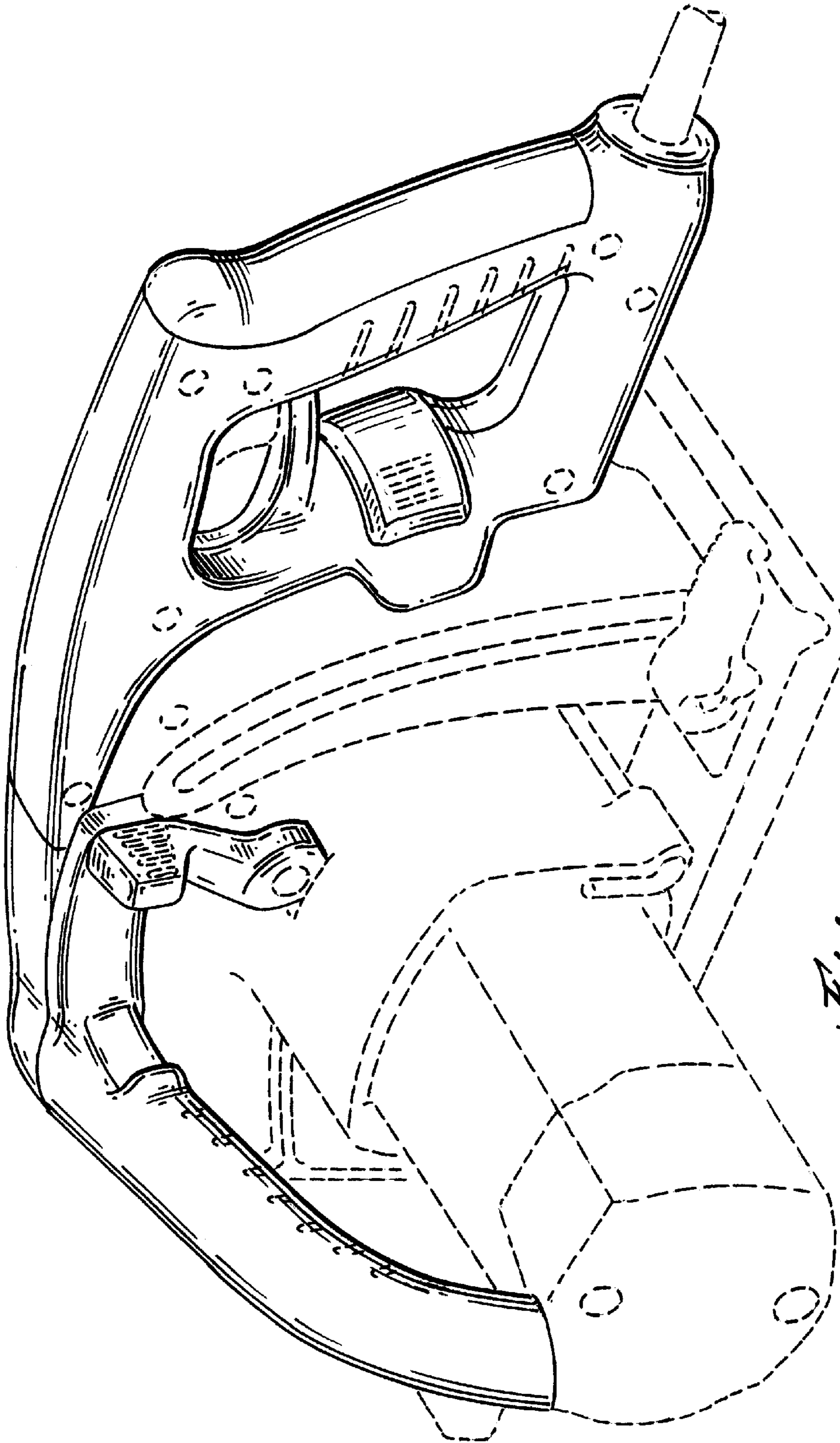
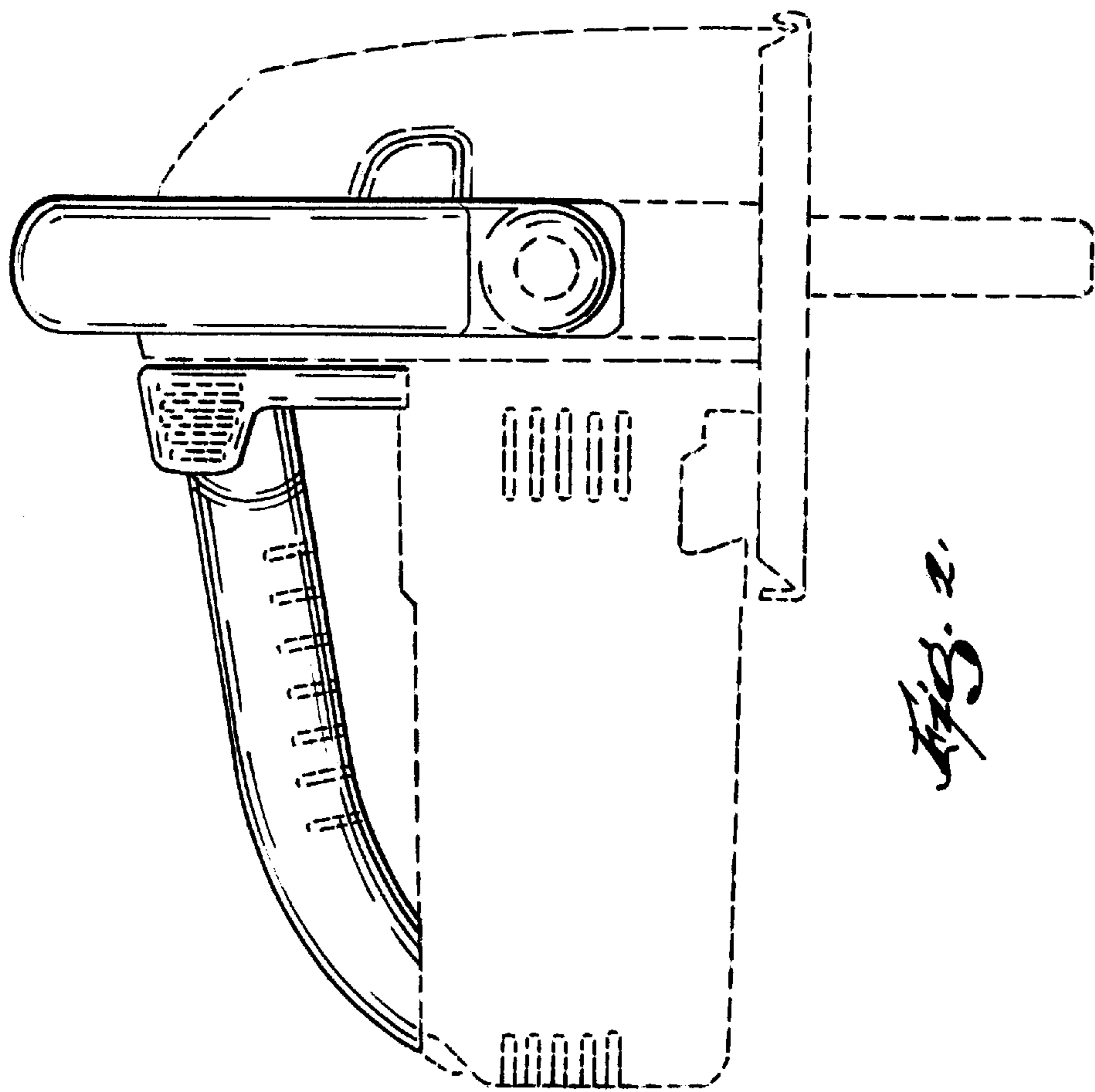
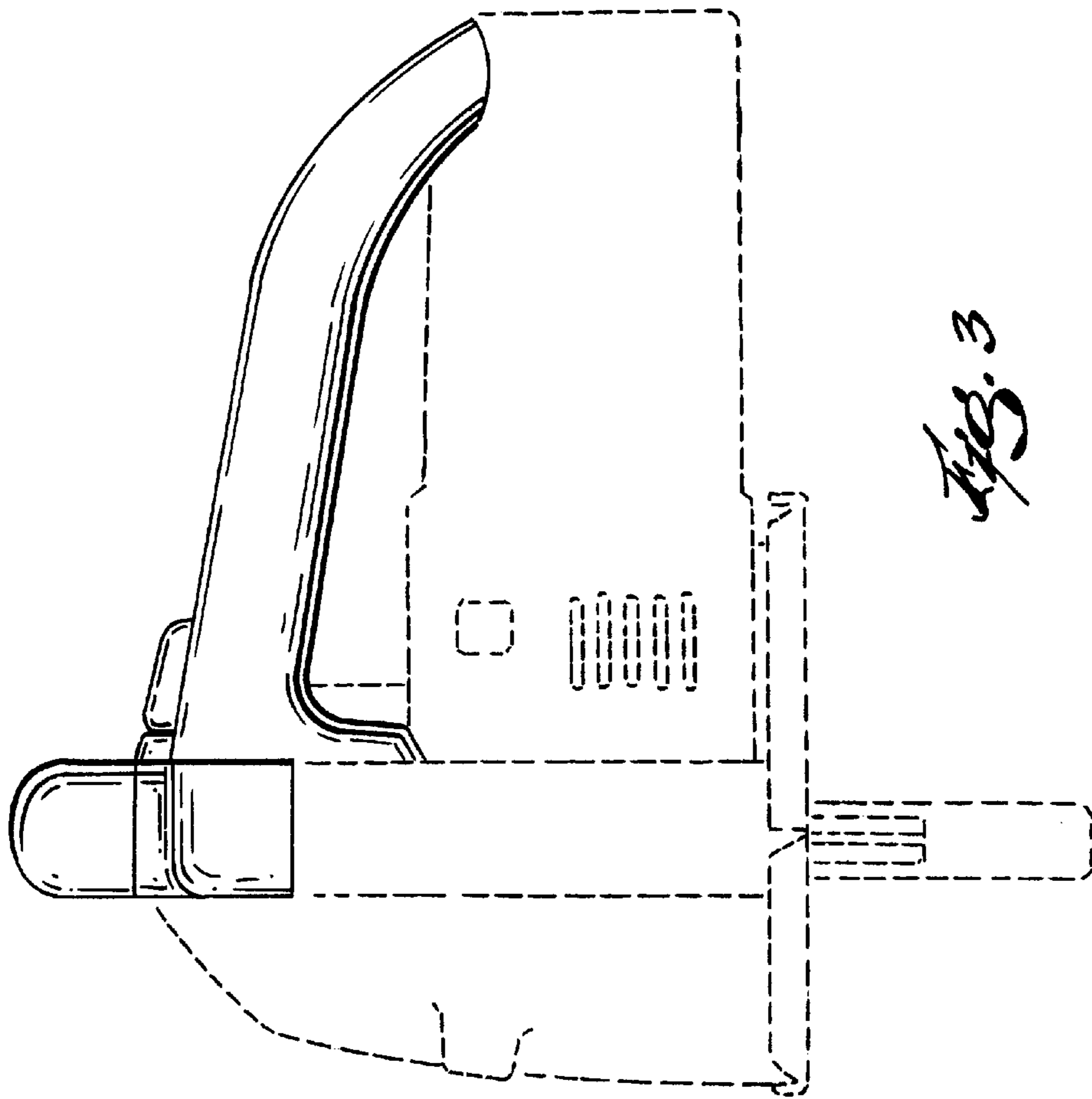
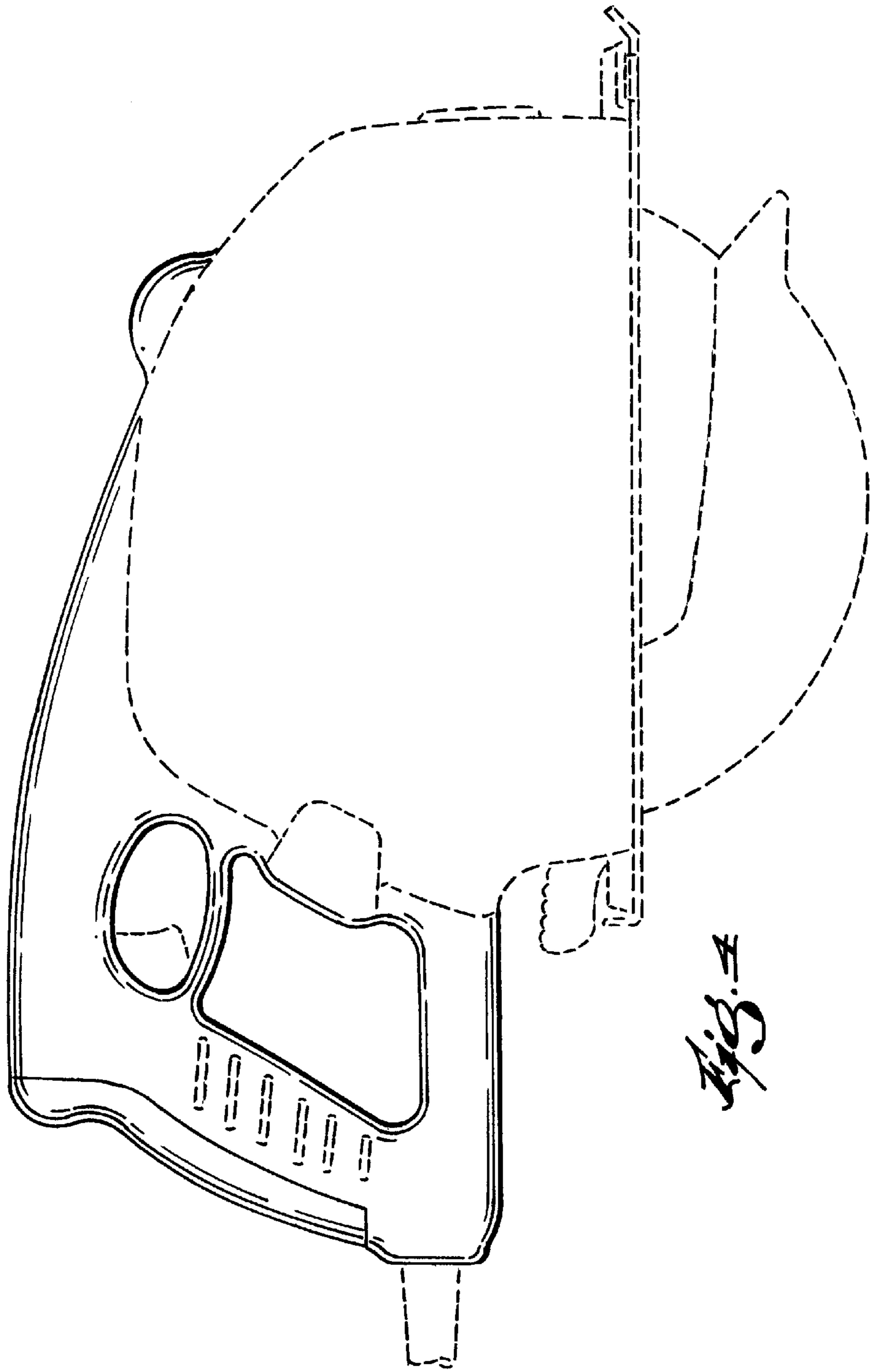
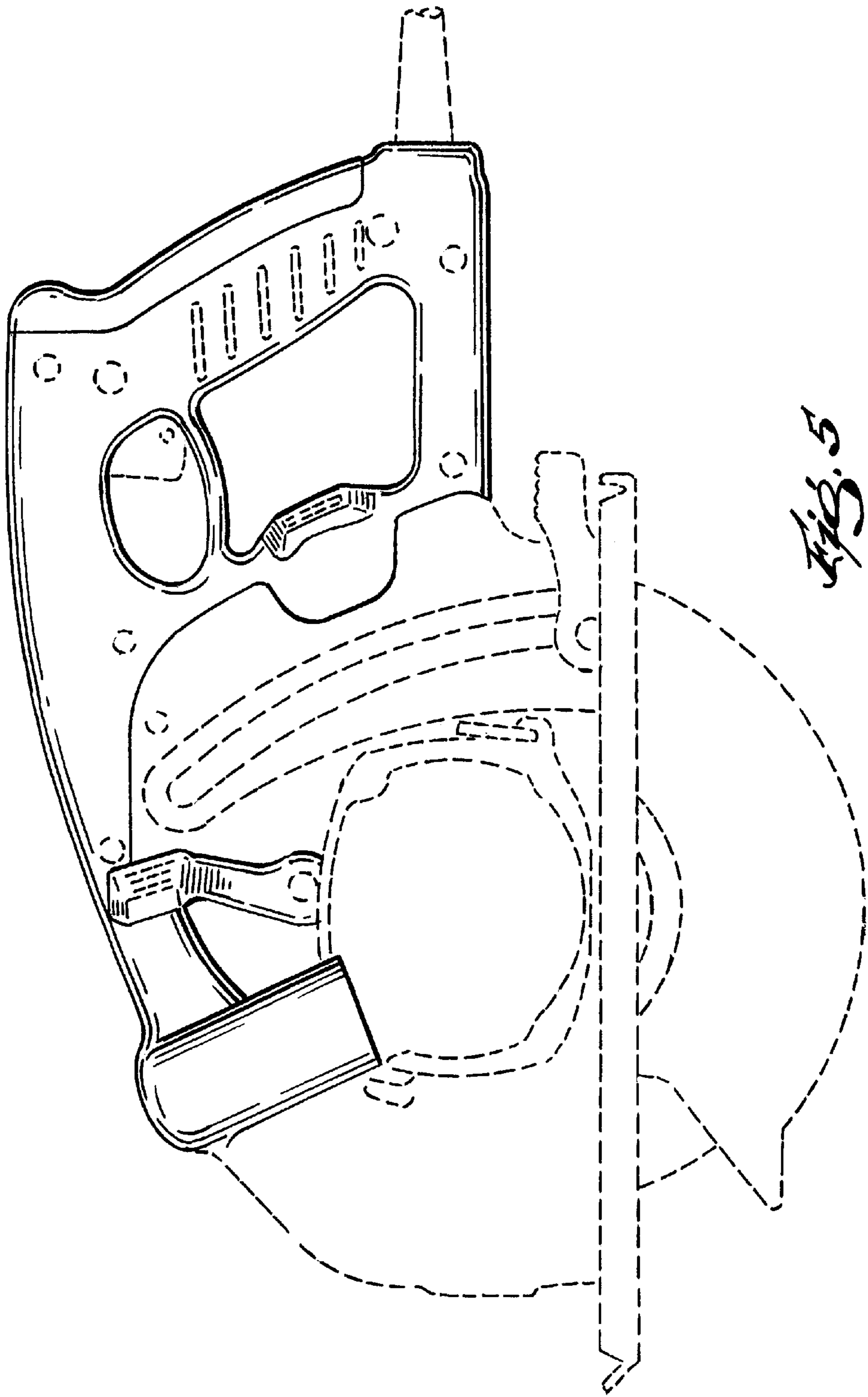


FIG. 1









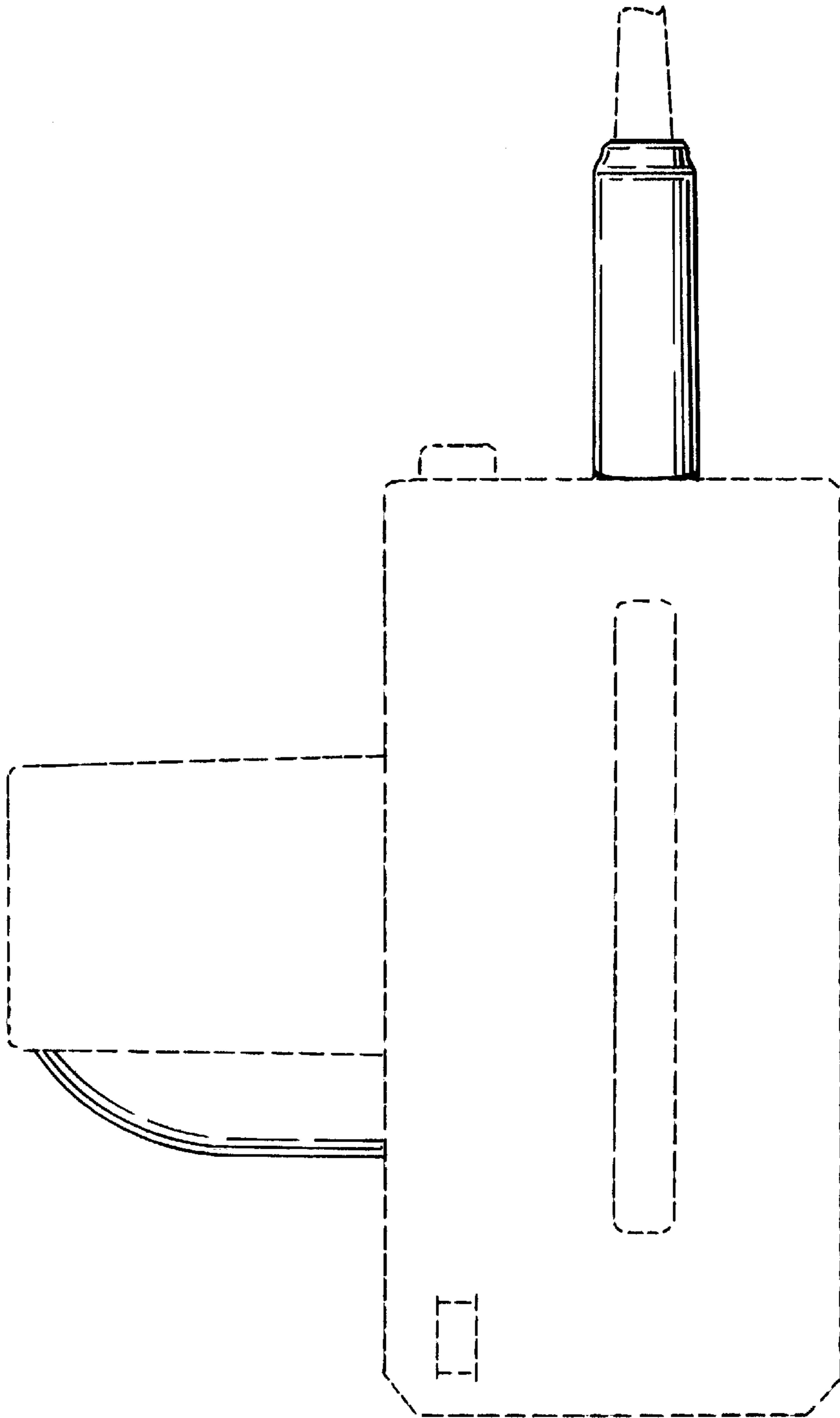


Fig. 6

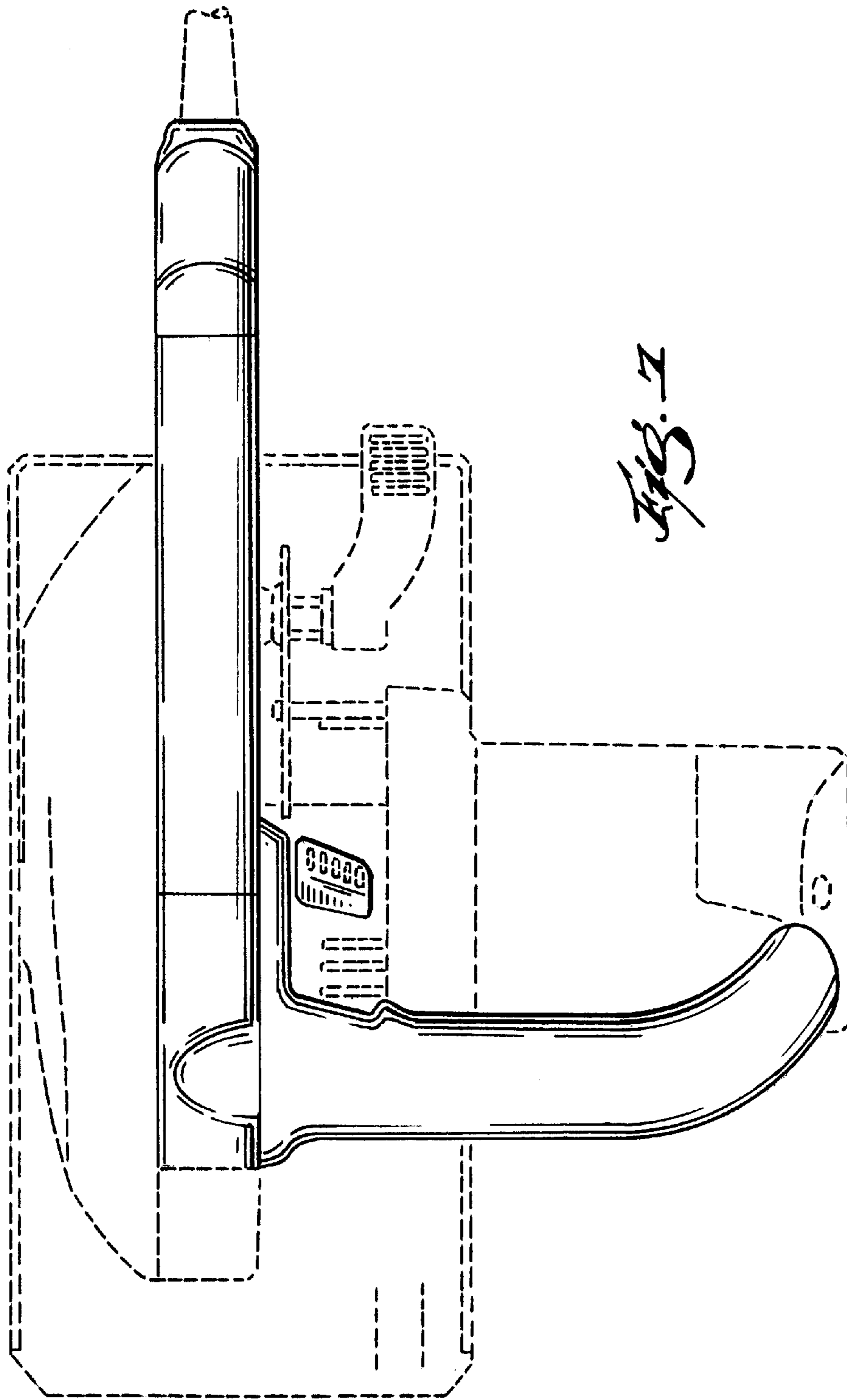


FIG. 1