



US00D489587S

(12) **United States Design Patent**  
**Herzog**

(10) **Patent No.:** **US D489,587 S**

(45) **Date of Patent:** **\*\* May 11, 2004**

(54) **RETAINER FOR SERVING TRAY**

(76) Inventor: **Richard A. Herzog**, 16936 Par Cir.  
SW., Pine City, MN (US) 55063

(\*\*) Term: **14 Years**

(21) Appl. No.: **29/186,474**

(22) Filed: **Jul. 16, 2003**

(51) **LOC (7) Cl.** ..... **07-06**

(52) **U.S. Cl.** ..... **D7/704**

(58) **Field of Search** ..... D7/701, 704, 706,  
D7/707, 708; D6/449, 458, 462, 466, 467,  
469; 211/60.1, 71.01, 74, 181.1; 248/175,  
176.1, 309.1; 294/143, 144; 312/290, 351

(56) **References Cited**

**U.S. PATENT DOCUMENTS**

1,448,259	A	*	9/1923	Cook	.....	294/143
D161,183	S	*	12/1950	Irwin	.....	D7/704
D165,303	S	*	11/1951	Rogers et al.	.....	D7/706
3,966,102	A	*	6/1976	Clark	.....	211/74
D398,480	S		9/1998	Panta Chica		
6,126,256	A		10/2000	Doces, II		

\* cited by examiner

*Primary Examiner*—Terry A. Wallace

(74) *Attorney, Agent, or Firm*—Merchant & Gould P.C.

(57) **CLAIM**

The ornamental design for a retainer for serving tray, as shown and described.

**DESCRIPTION**

FIG. 1 is a perspective view of a retainer for a serving tray according to the principles of the present invention;

FIG. 2 is a top plan view of the retainer shown in FIG. 1;

FIG. 3 is a bottom plan view of the retainer shown in FIG. 1;

FIG. 4 is a front elevational view of the retainer shown in FIG. 1;

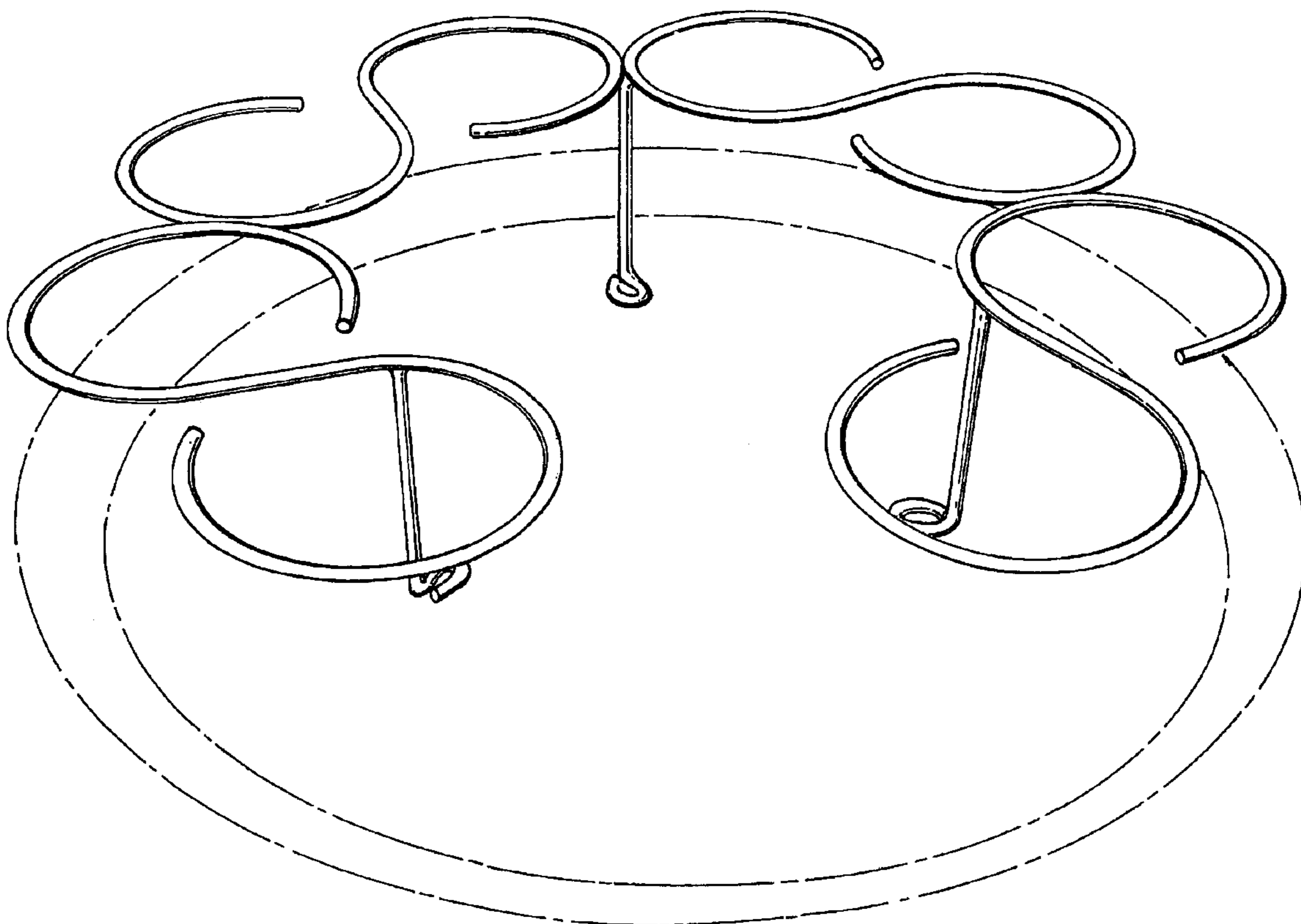
FIG. 5 is a rear elevational view of the retainer shown in FIG. 1;

FIG. 6 is a right side elevational view of the retainer shown in FIG.1; and,

FIG. 7 is a left side elevational view of the retainer shown in FIG. 1.

The present application is directed to the design illustrated in the drawings. The other features of the drawings are not considered part of the design sought to be patented, and have accordingly been shown in broken lines.

**1 Claim, 6 Drawing Sheets**



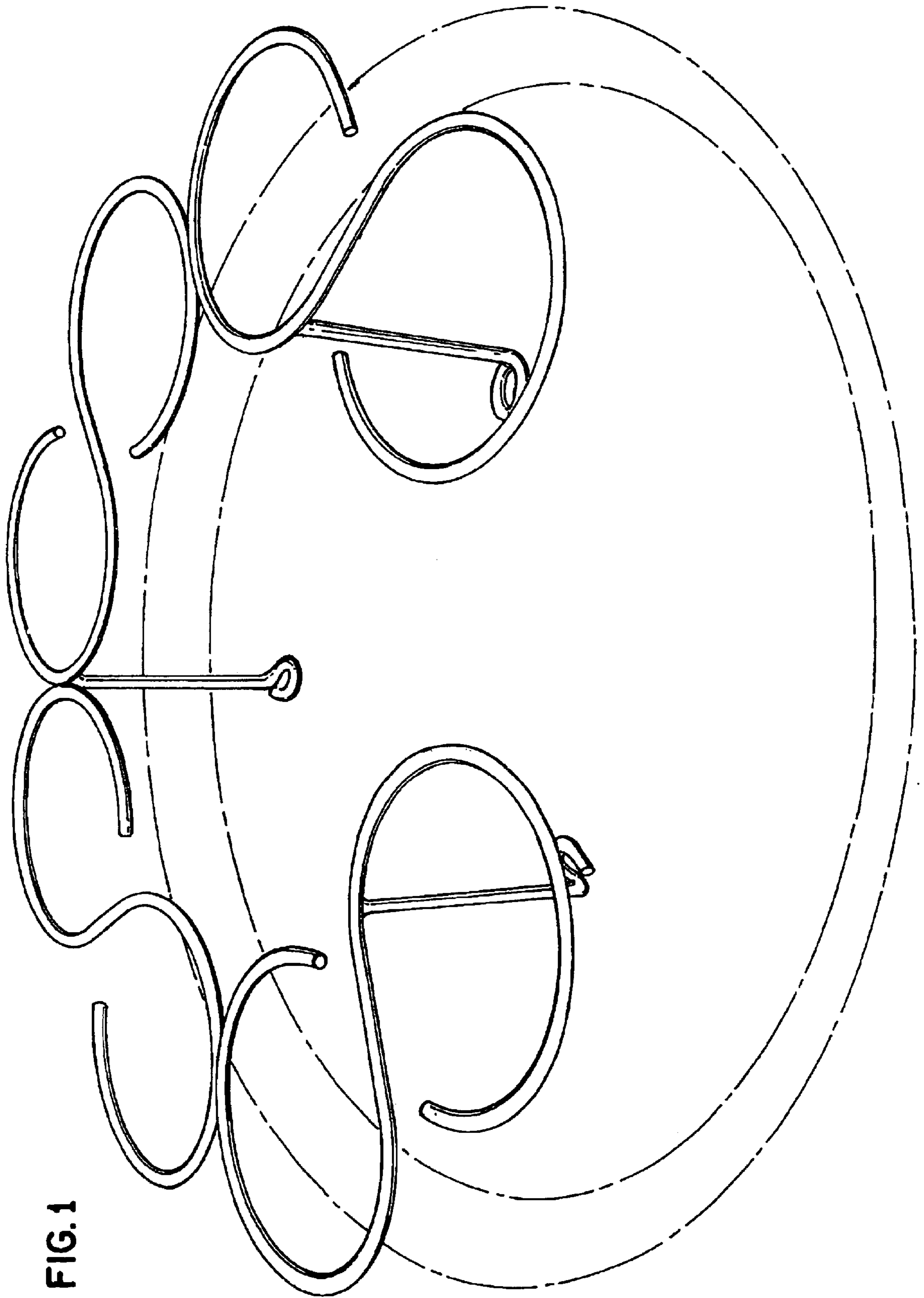


FIG. 1

FIG. 2

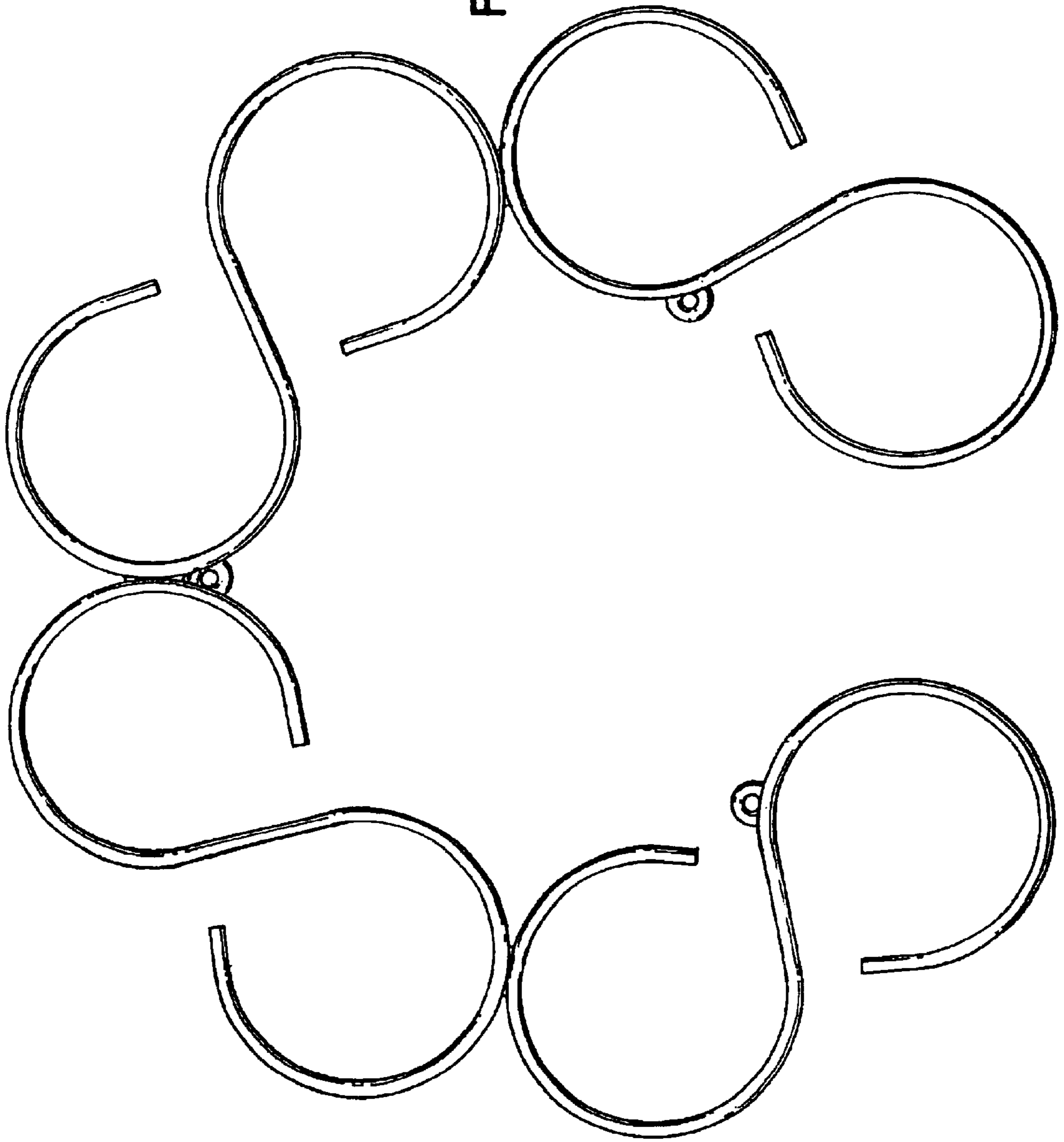


FIG. 3

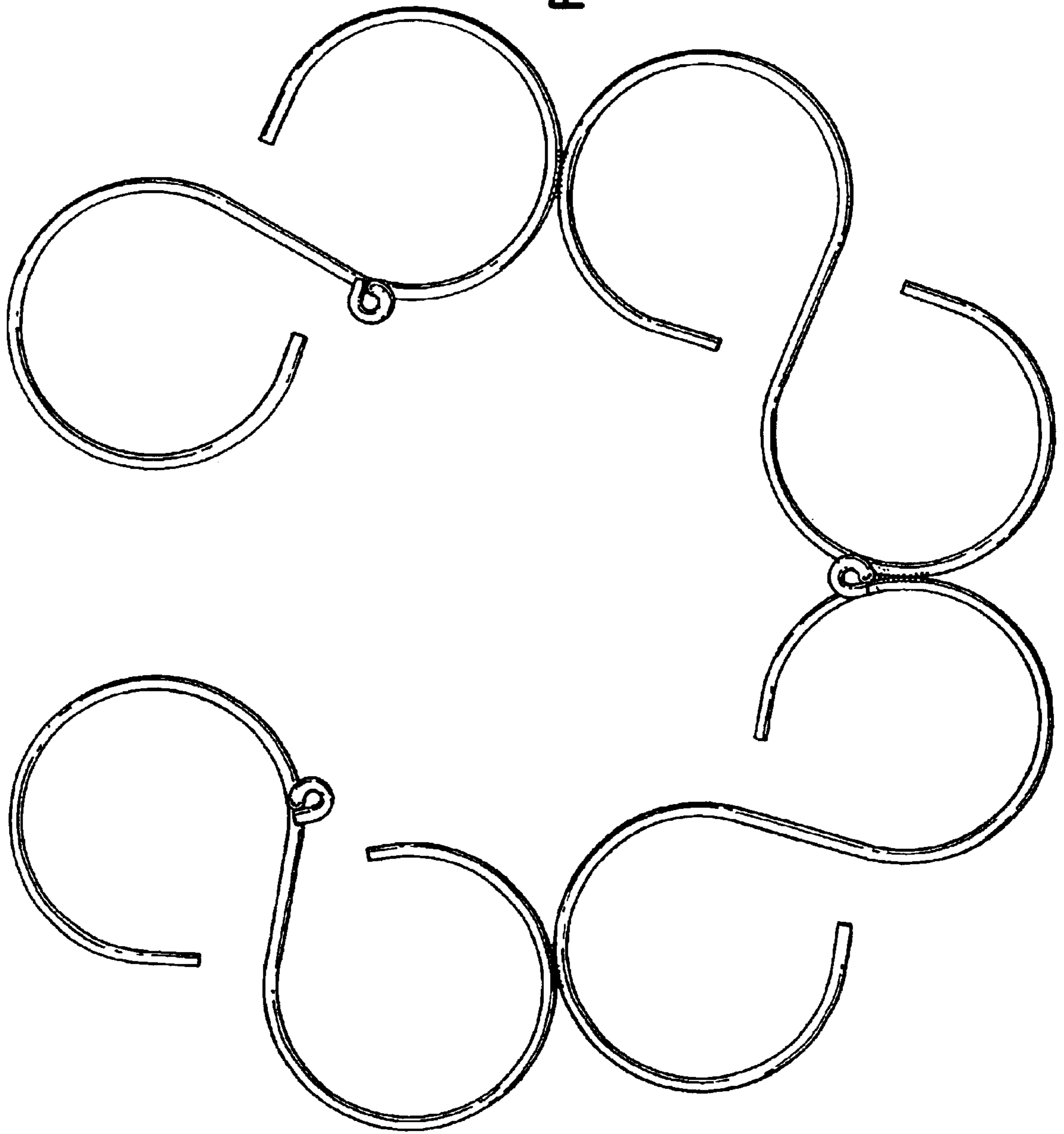


FIG. 4

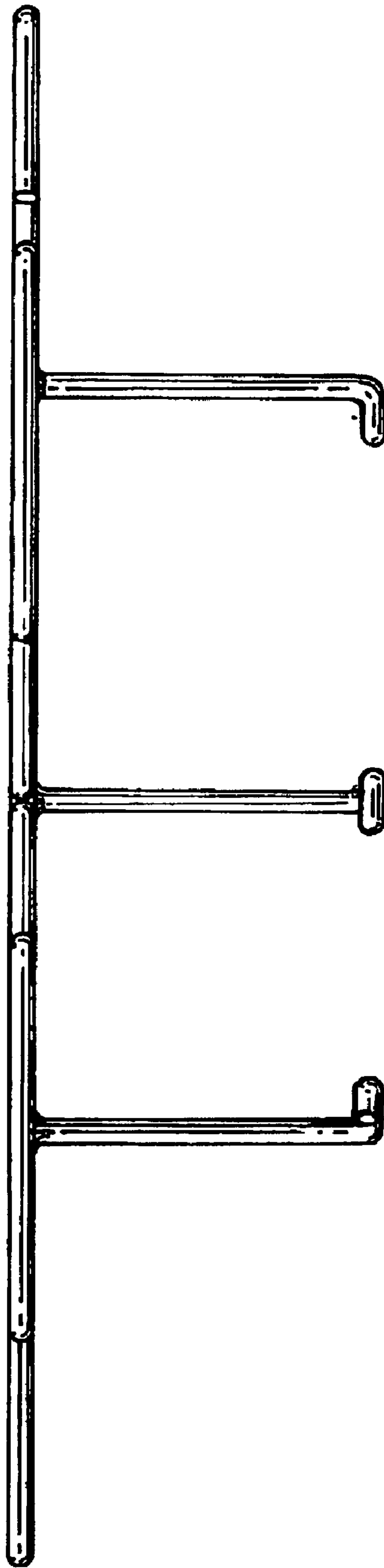


FIG. 5

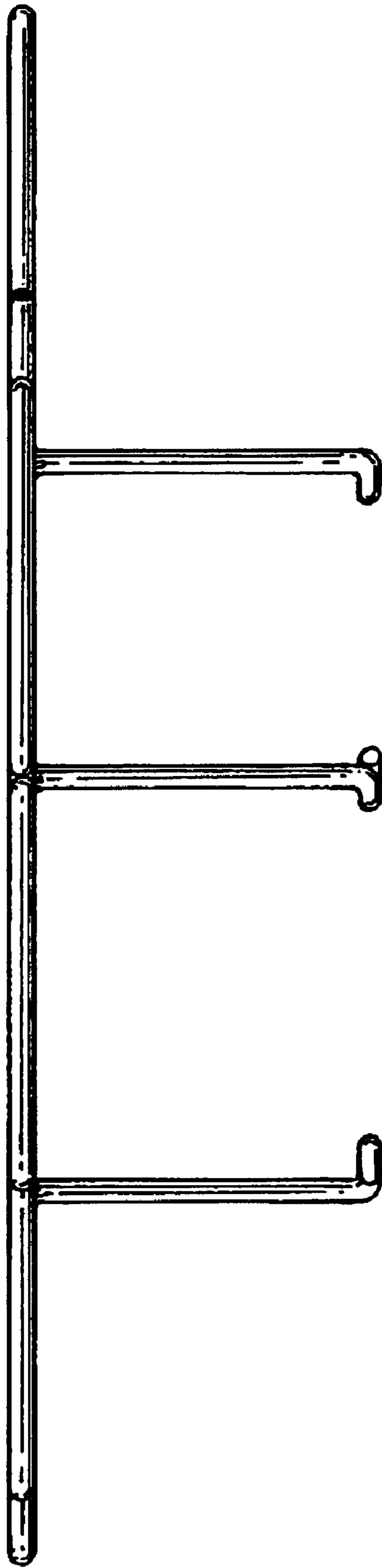


FIG. 6

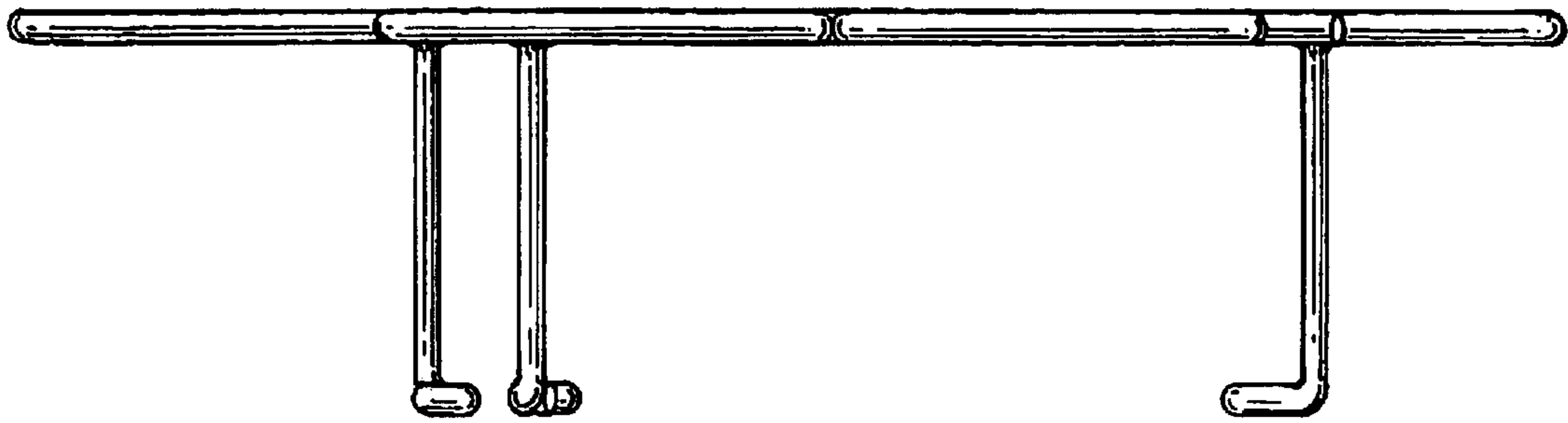


FIG. 7

