



US00D489581S

(12) **United States Design Patent**  
**Shane-Schuldt**

(10) **Patent No.:** **US D489,581 S**

(45) **Date of Patent:** **\*\* May 11, 2004**

(54) **SPOON**

(75) **Inventor:** **Diane Shane-Schuldt**, Sherrill, NY (US)

(73) **Assignee:** **Oneida, Ltd.**, Oneida, NY (US)

(\*\*) **Term:** **14 Years**

(21) **Appl. No.:** **29/181,365**

(22) **Filed:** **May 9, 2003**

(51) **LOC (7) Cl.** ..... **07-03**

(52) **U.S. Cl.** ..... **D7/653**

(58) **Field of Search** ..... D7/642-645, 653-664,  
D7/401.2; 30/147-150, 322-328

(56) **References Cited**

**U.S. PATENT DOCUMENTS**

D116,439 S \* 9/1939 Allen et al. .... D7/662

**OTHER PUBLICATIONS**

1830's-1990's American Sterling Silver Flatware A Collector's Identification & Value Guide by Maryanne Dolan, ©1993, ISBN: p. 160, Pattern: Diadem by Reed & Barton.\*

\* cited by examiner

*Primary Examiner*—Caron D. Veynar

(74) *Attorney, Agent, or Firm*—Wall Marjama & Bilinski LLP

(57) **CLAIM**

The ornamental design for a spoon, as shown and described.

**DESCRIPTION**

FIG. 1 is a top plan view of a spoon, illustrating my new design;

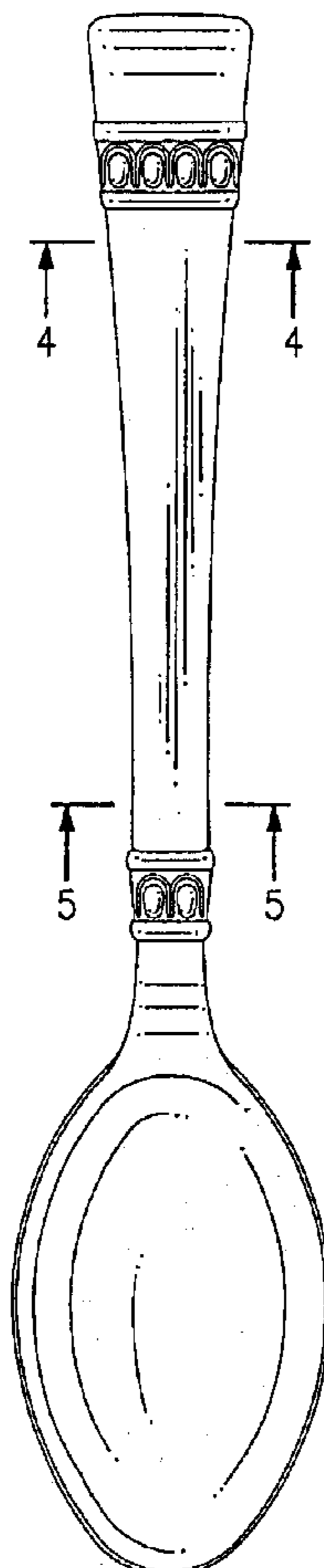
FIG. 2 is a bottom plan view thereof;

FIG. 3 is a left side elevation view thereof; the right side elevation view being a mirror image thereof;

FIG. 4 is a cross-sectional view taken along line 4—4 of FIG. 1; and,

FIG. 5 is a cross-sectional view taken along line 5—5 of FIG. 1.

**1 Claim, 1 Drawing Sheet**



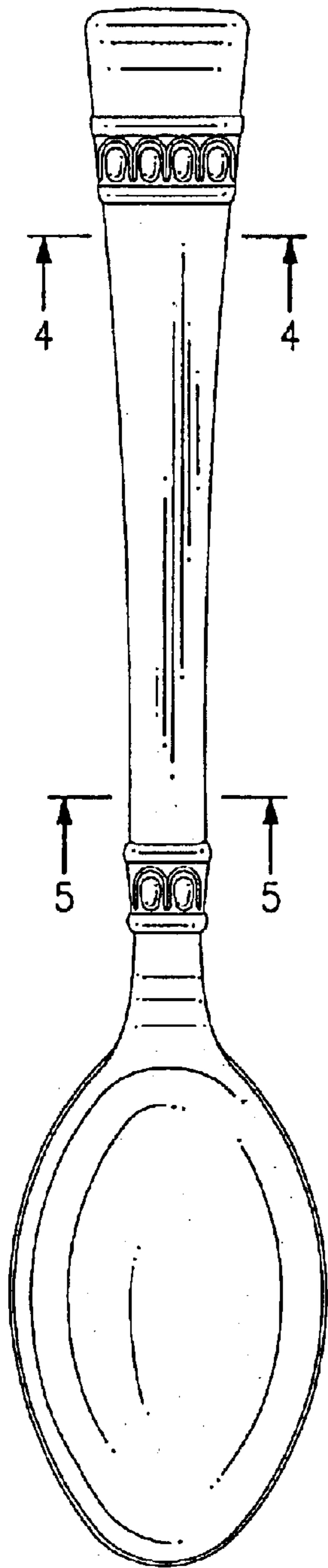


FIG. 1

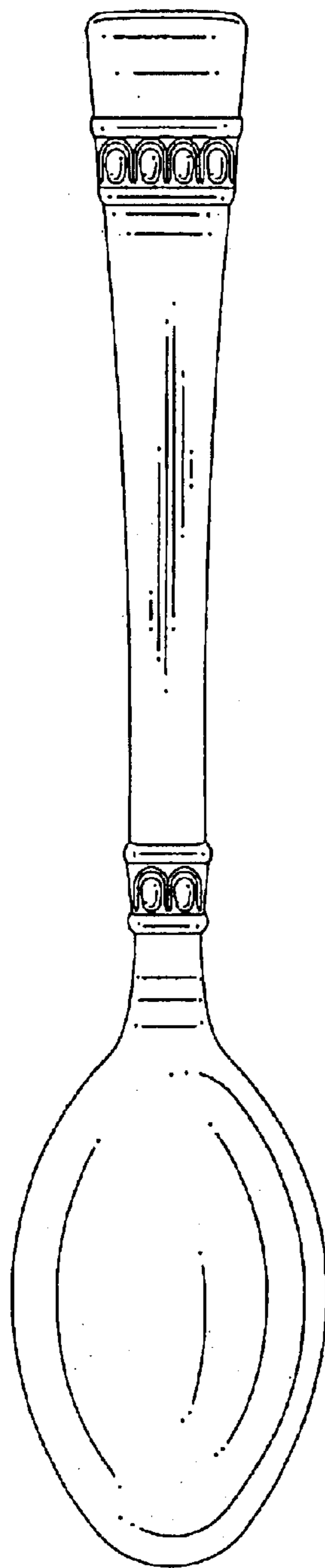


FIG. 2

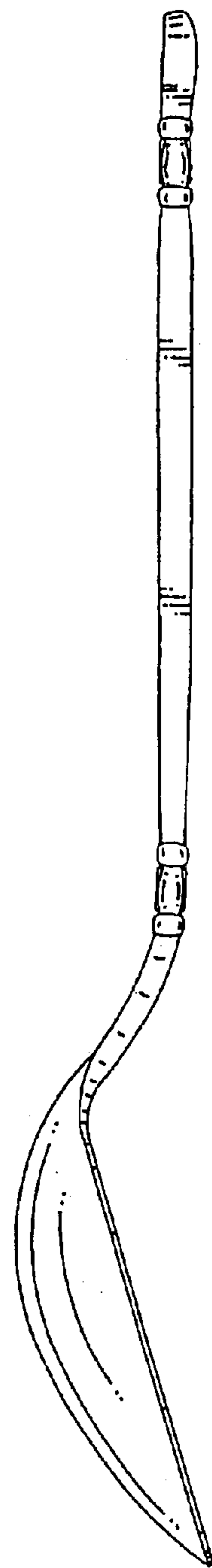


FIG. 3



FIG. 4



FIG. 5