



US00D489580S

(12) **United States Design Patent**  
**Shane-Schuldt**

(10) **Patent No.:** **US D489,580 S**

(45) **Date of Patent:** **\*\* May 11, 2004**

(54) **SPOON**

(75) **Inventor:** **Diane Shane-Schuldt**, Sherrill, NY (US)

(73) **Assignee:** **Oneida, Ltd.**, Oneida, NY (US)

(\*\*) **Term:** **14 Years**

(21) **Appl. No.:** **29/181,362**

(22) **Filed:** **May 9, 2003**

(51) **LOC (7) Cl.** ..... **07-03**

(52) **U.S. Cl.** ..... **D7/653; D7/660**

(58) **Field of Search** ..... D7/642-645, 653-664, D7/401.2; 30/147-150, 322-328

(56) **References Cited**

**U.S. PATENT DOCUMENTS**

D115,632 S	*	7/1939	Schulgasser	.....	D7/660
D138,564 S	*	8/1944	Warren	.....	D7/653
D226,460 S	*	3/1973	Sebring	.....	D7/660
D229,014 S	*	11/1973	Lea	.....	D7/660

D234,670 S	*	4/1975	Manderfield	.....	D7/660
D235,047 S	*	5/1975	Manderfield	.....	D7/653
D245,960 S	*	10/1977	Zephries	.....	D7/653

\* cited by examiner

*Primary Examiner*—Caron D. Veynar

(74) *Attorney, Agent, or Firm*—Wall Marjama & Bilinski LLP

(57) **CLAIM**

The ornamental design for a spoon, as shown and described.

**DESCRIPTION**

FIG. 1 is a top plan view of a spoon, illustrating my new Design;

FIG. 2 is a left side elevation view thereof;

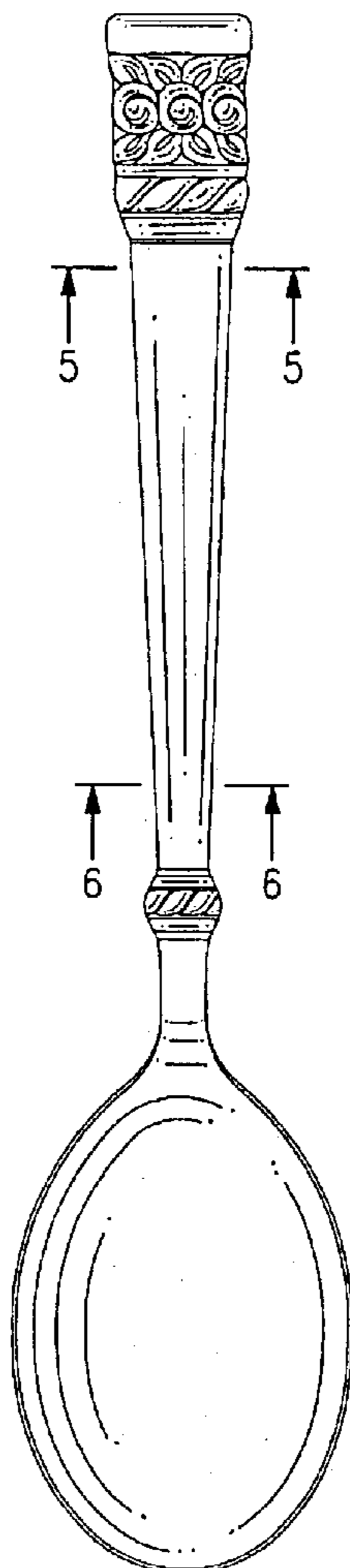
FIG. 3 is a right side elevation view thereof;

FIG. 4 is a bottom plan view thereof;

FIG. 5 is a cross-sectional view taken along line 5—5 of FIG. 1; and,

FIG. 6 is a cross-sectional view taken along line 6—6 of FIG. 1.

**1 Claim, 1 Drawing Sheet**



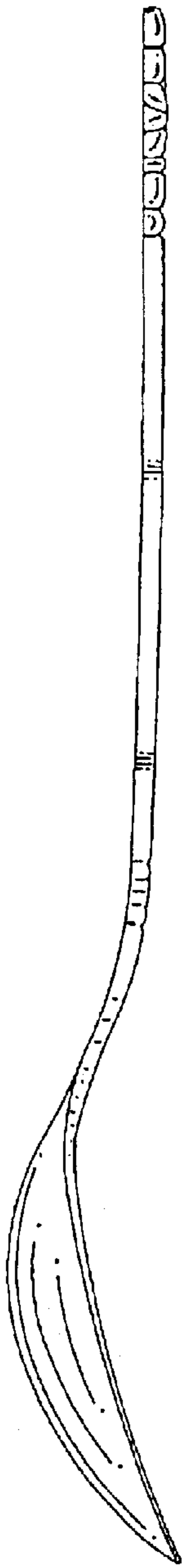


FIG. 3

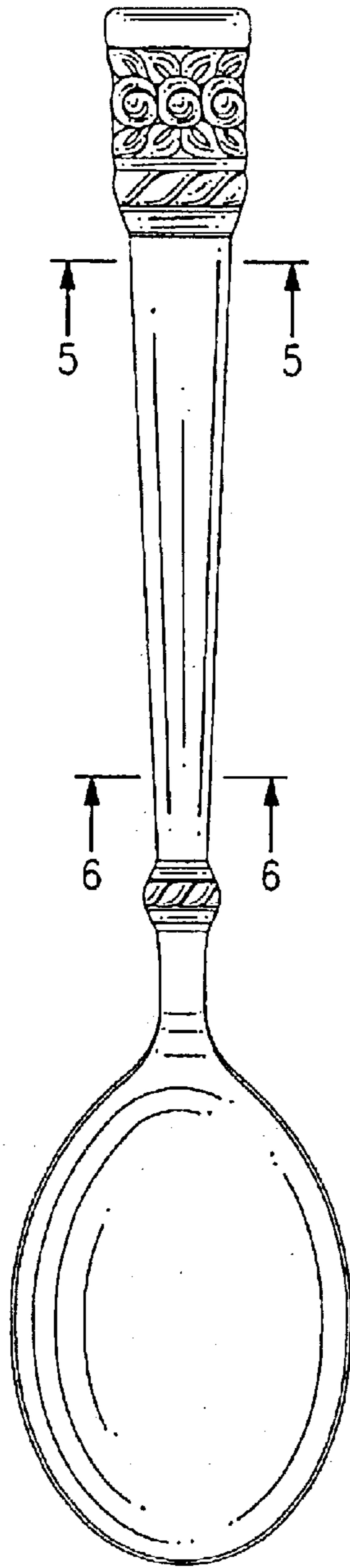


FIG. 1

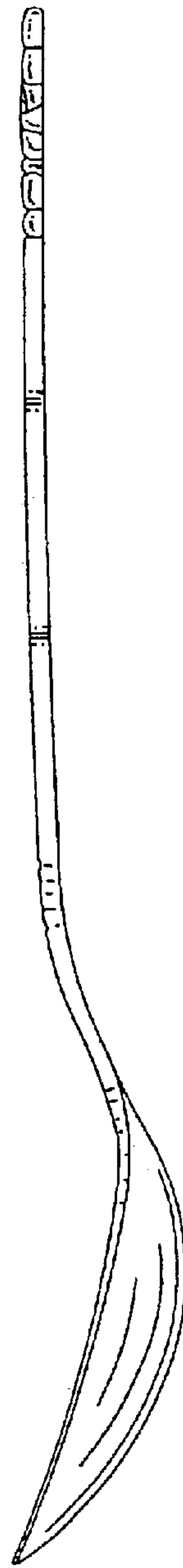


FIG. 2

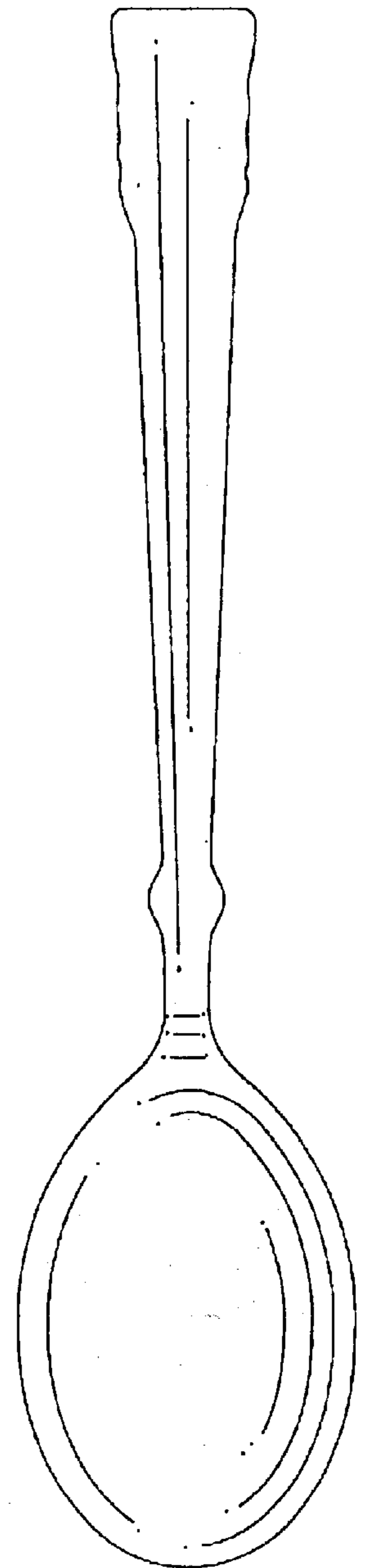


FIG. 4



FIG. 5



FIG. 6