



US00D489577S

(12) **United States Design Patent**  
**Giampavolo**

(10) **Patent No.:** **US D489,577 S**

(45) **Date of Patent:** **\*\* May 11, 2004**

(54) **CUP HOLDER**

(76) **Inventor:** **Paul Giampavolo**, 9 Hasta Way,  
Newton, NJ (US) 07860

(\*\*) **Term:** **14 Years**

(21) **Appl. No.:** **29/186,280**

(22) **Filed:** **Jul. 10, 2003**

**Related U.S. Application Data**

(63) Continuation-in-part of application No. 29/169,554, filed on  
Oct. 21, 2002.

(51) **LOC (7) Cl.** ..... **07-06**

(52) **U.S. Cl.** ..... **D7/620; D7/622**

(58) **Field of Search** ..... D7/619.1-625;  
211/71.01, 74, 75; 248/309.1, 311.2, 312.1,  
311.3

(56) **References Cited**

**U.S. PATENT DOCUMENTS**

4,915,337 A \* 4/1990 Iwasaki ..... 248/311.2

D358,303 S \* 5/1995 Guarrera et al. .... D7/620

D373,935 S \* 9/1996 Cole et al. .... D7/621

D395,205 S \* 6/1998 Inwood et al. .... D7/622

5,857,601 A \* 1/1999 Greenwood ..... 224/409

\* cited by examiner

*Primary Examiner*—Terry A. Wallace

(74) *Attorney, Agent, or Firm*—Ostrolenk, Faber, Gerb &  
Soffen

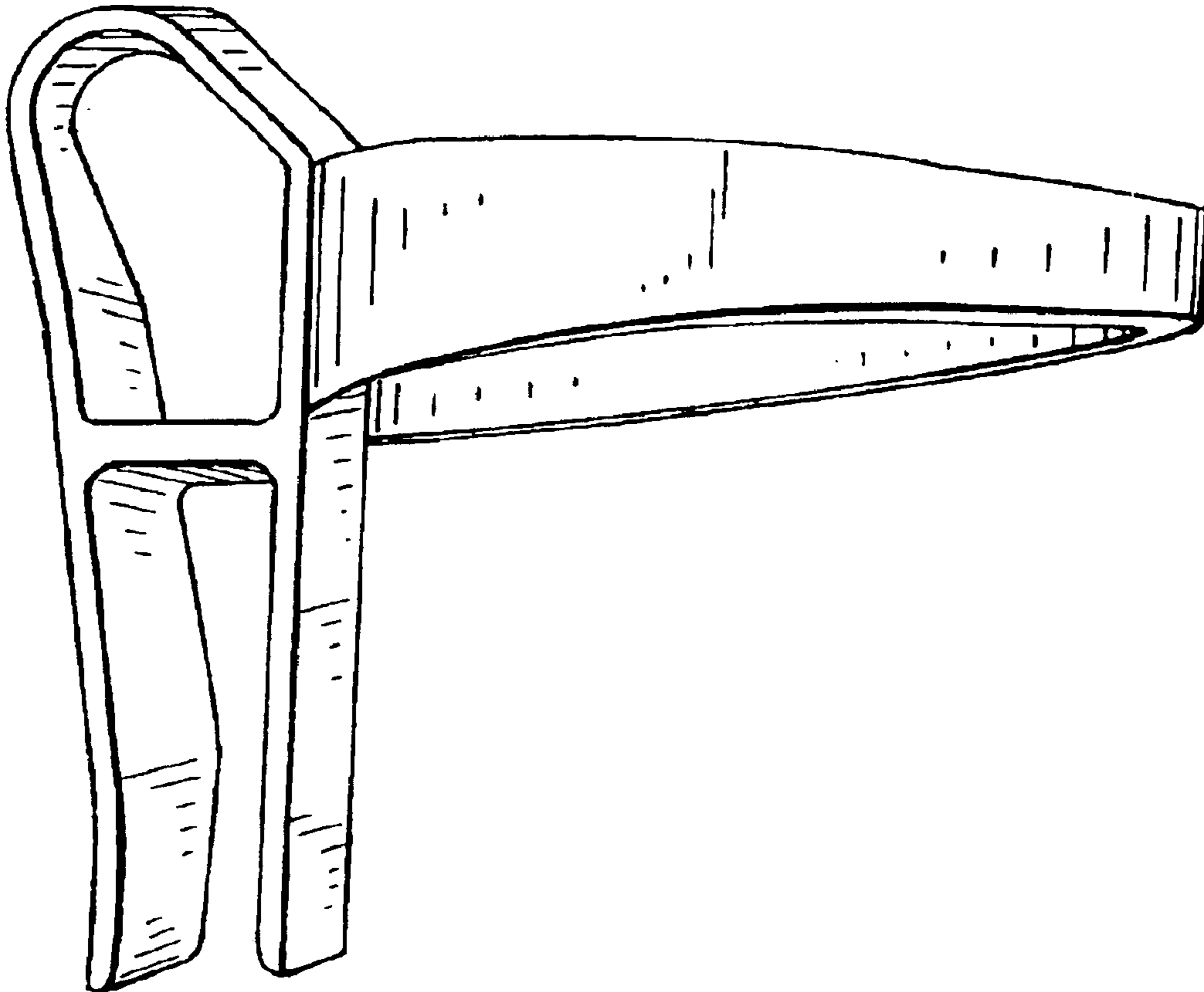
(57) **CLAIM**

The ornamental design for a cup holder, as shown and  
described.

**DESCRIPTION**

FIG. 1 is a right side perspective view of a cup holder  
showing my new design;  
FIG. 2 is a top view of the design of FIG. 1;  
FIG. 3 is a left side view of the design of FIG. 1, the opposite  
right side view being a mirror image;  
FIG. 4 is a bottom side view of the design of FIG. 1;  
FIG. 5 is a rear view of the design of FIG. 1; and,  
FIG. 6 is a front side view of the design of FIG. 1.

**1 Claim, 3 Drawing Sheets**



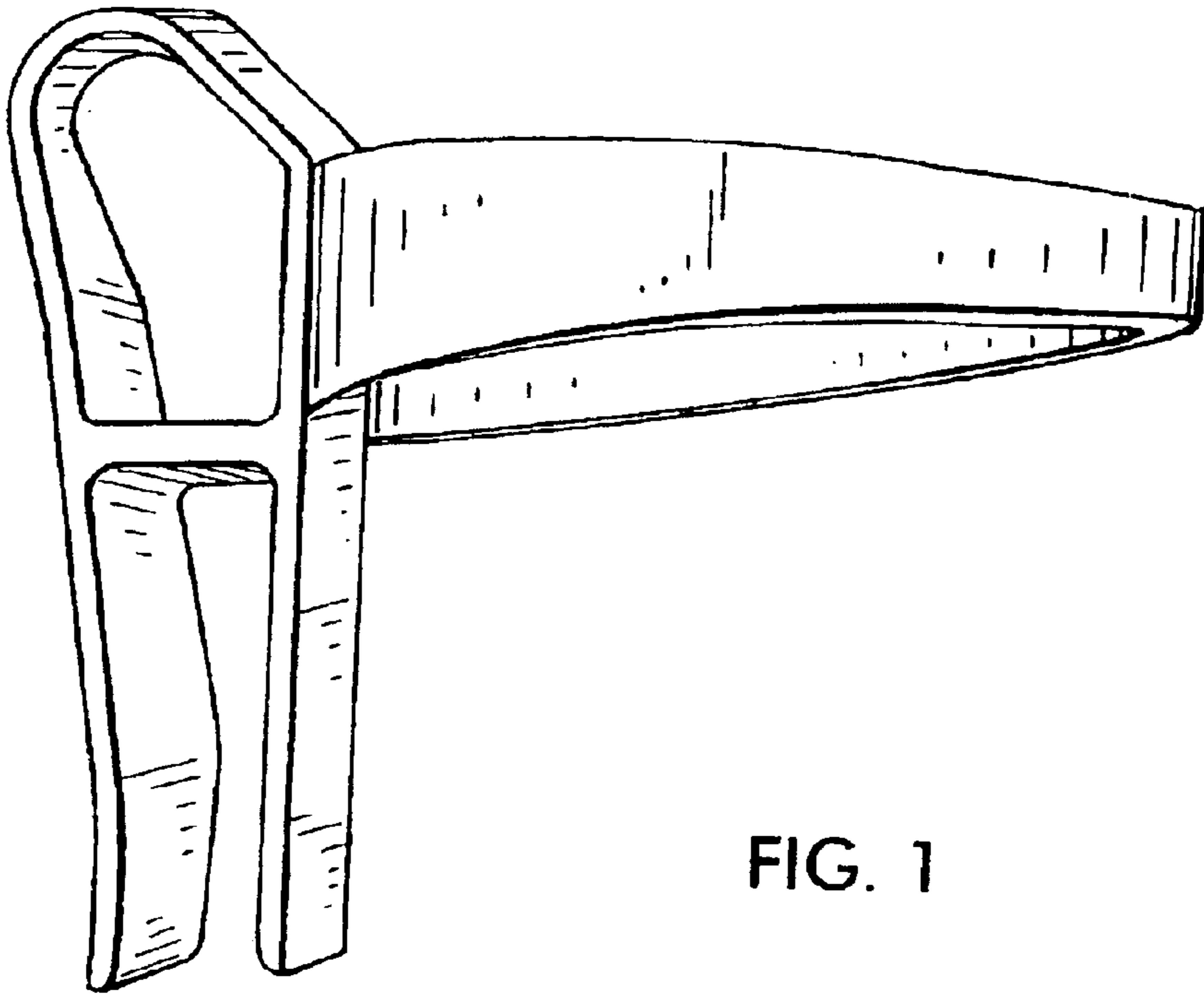


FIG. 1

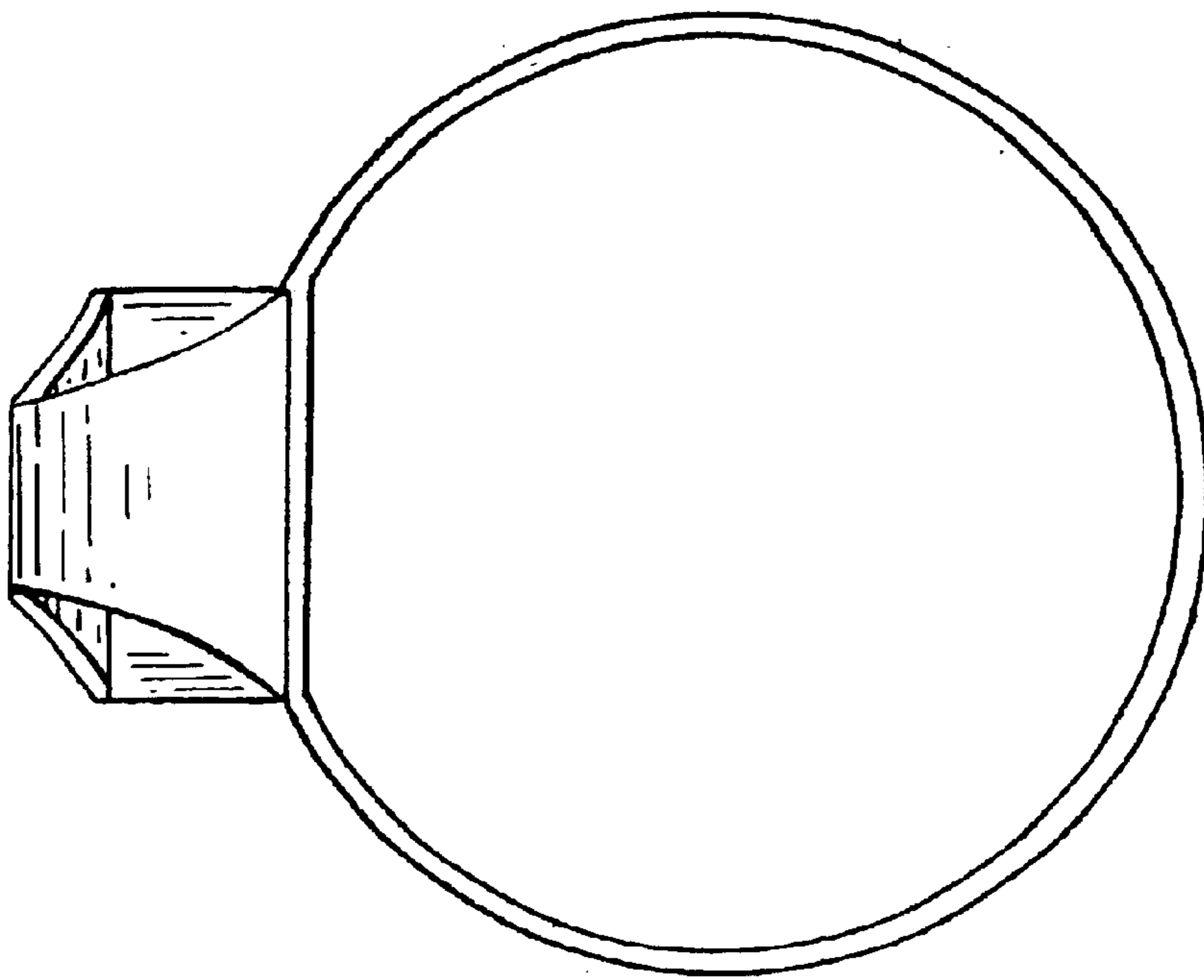


FIG. 2

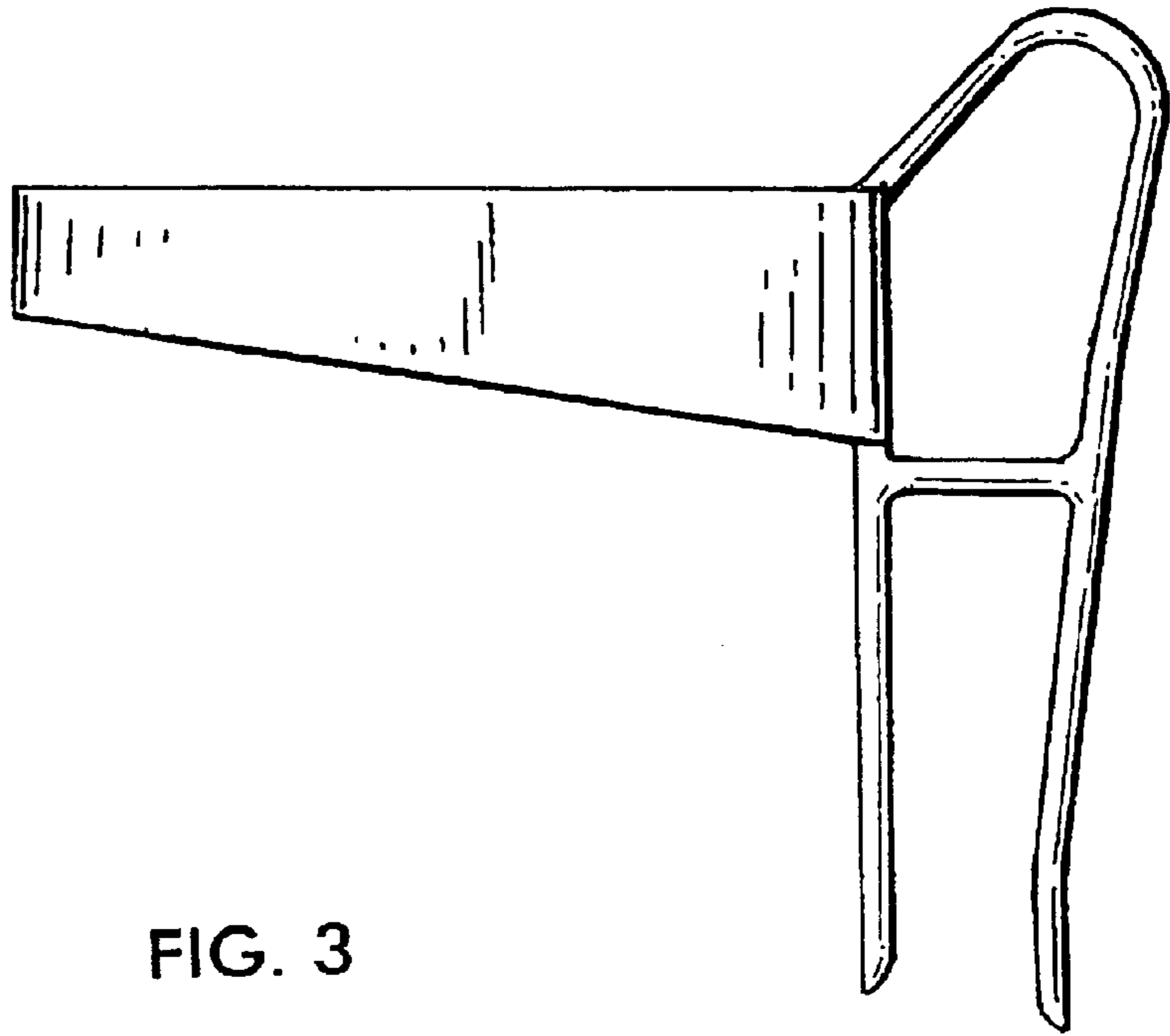


FIG. 3

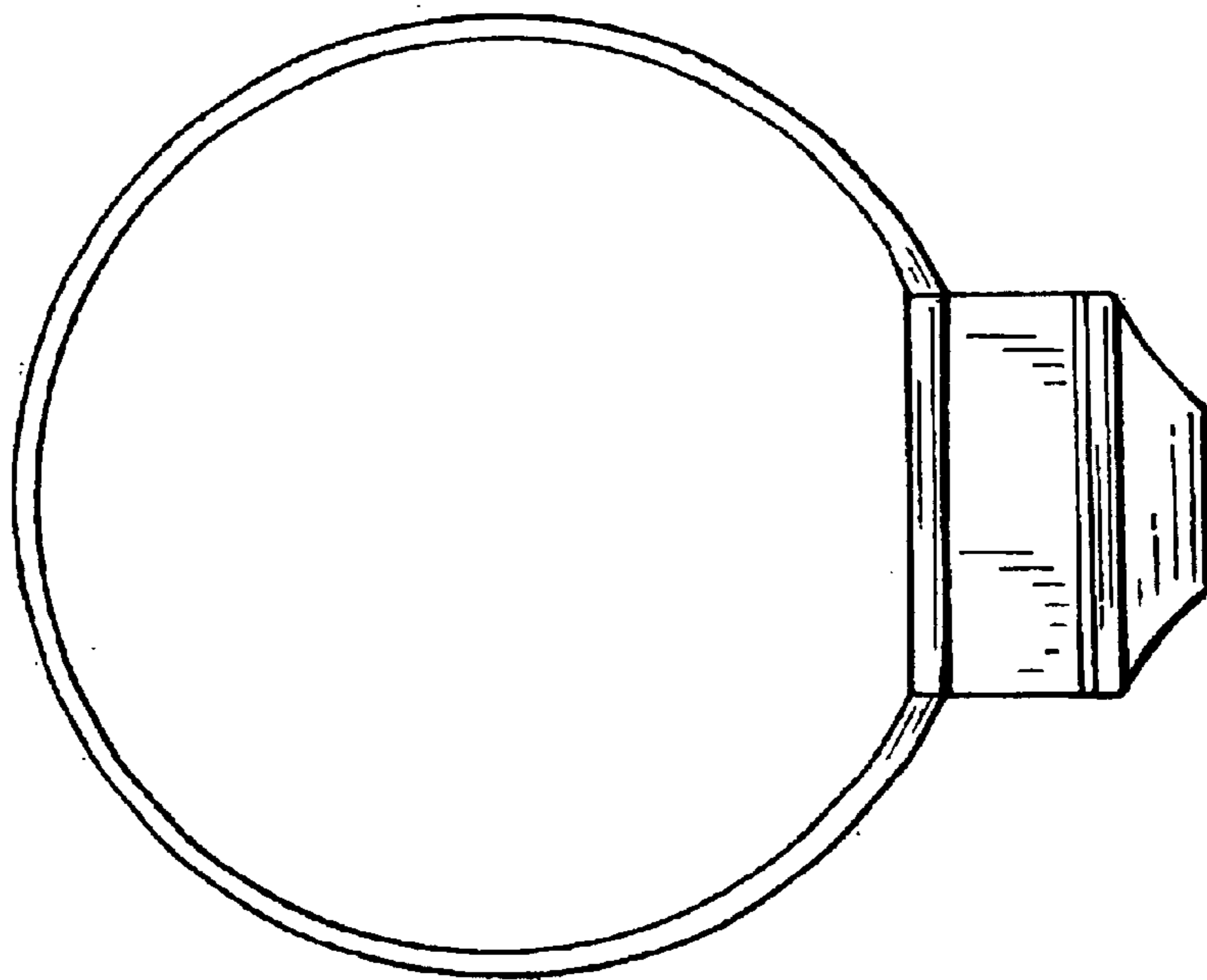


FIG. 4

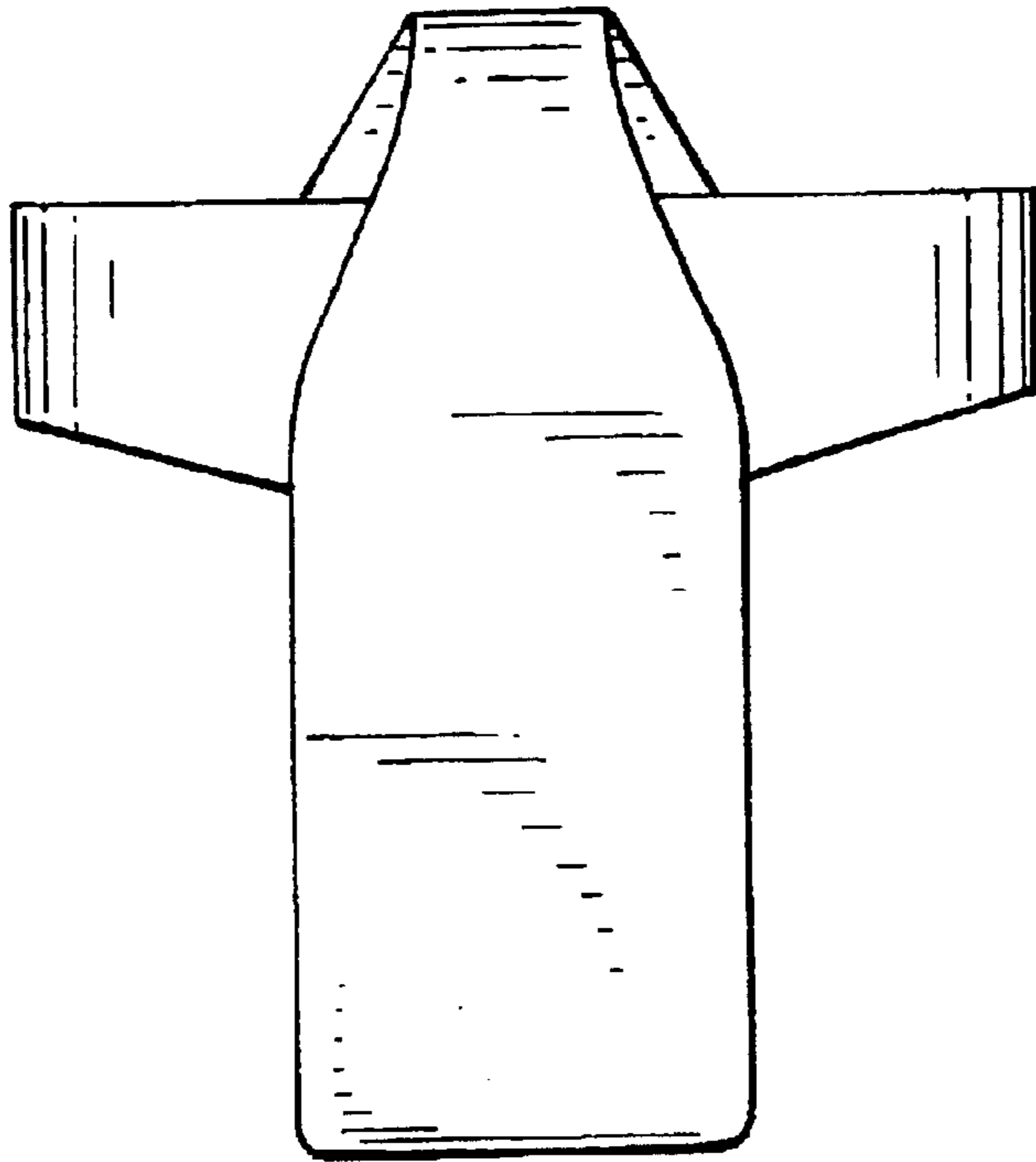


FIG. 5

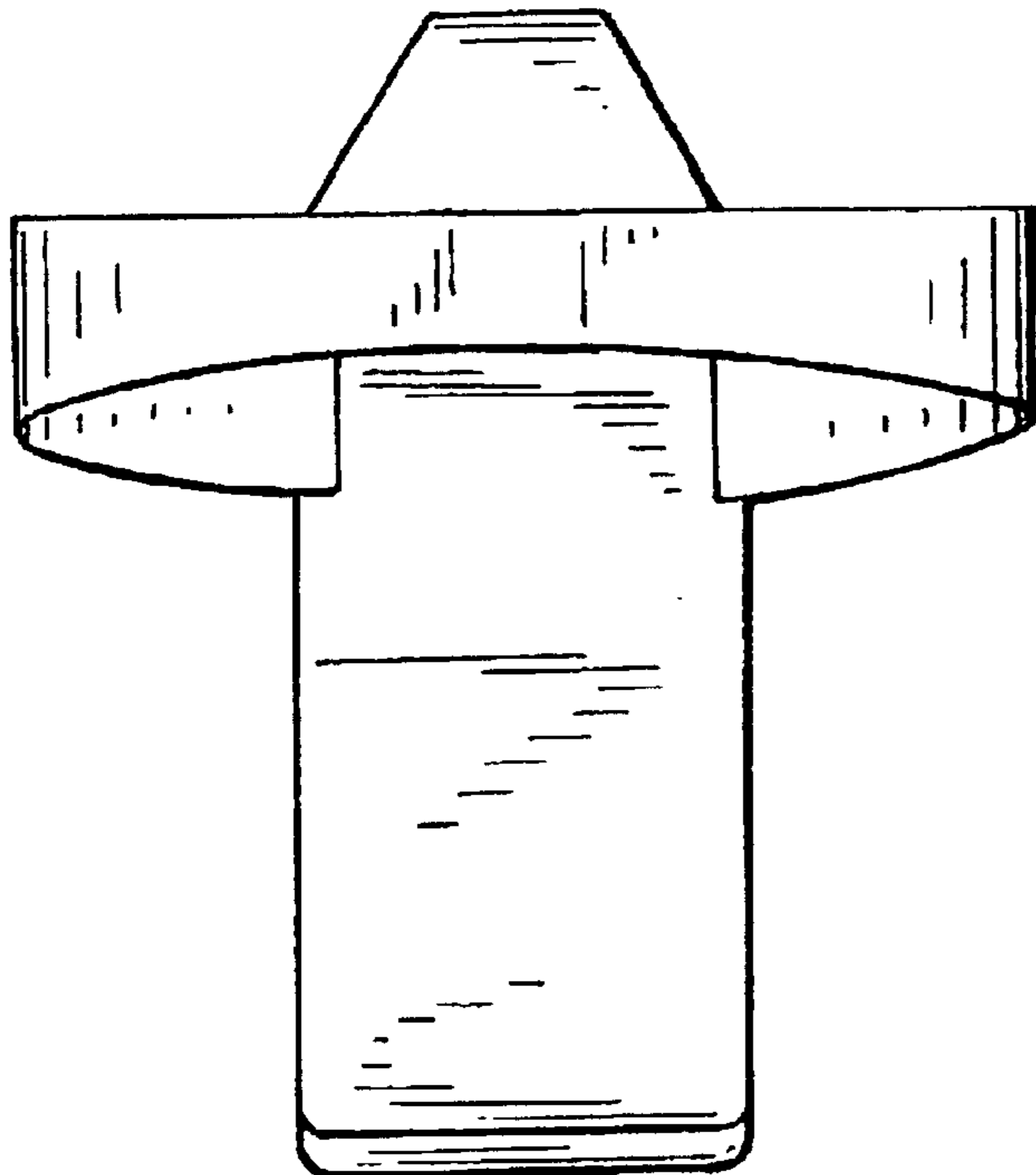


FIG. 6