



US00D489574S

(12) **United States Design Patent**
Copeland

(10) **Patent No.:** **US D489,574 S**

(45) **Date of Patent:** **** May 11, 2004**

(54) **CUP**

(75) **Inventor:** **Bruce William Copeland**, Stone Mountain, GA (US)

(73) **Assignee:** **Williams Industries, Inc.**, Shelbyville, IN (US)

(**) **Term:** **14 Years**

(21) **Appl. No.:** **29/183,518**

(22) **Filed:** **Jun. 12, 2003**

(51) **LOC (7) Cl.** **07-01**

(52) **U.S. Cl.** **D7/536; D7/533**

(58) **Field of Search** D7/509, 510, 511,
D7/536, 533; 220/630, 713, 705, 729, 23.86;
248/346.11; 215/307

(56) **References Cited**

U.S. PATENT DOCUMENTS

D203,402 S	*	1/1966	Winblad	D7/536
D369,063 S	*	4/1996	Meisner	D7/533
D417,365 S	*	12/1999	Huang	D7/511
D426,109 S	*	6/2000	Freed	D7/533
D427,853 S	*	7/2000	Kohlhase	D7/510
D428,306 S	*	7/2000	Lee	D7/510
D428,769 S	*	8/2000	Mensch et al.	D7/533
D433,877 S	*	11/2000	Bickert et al.	D7/536
D439,473 S	*	3/2001	Lin	D7/510
D444,673 S	*	7/2001	Lin	D7/510

D466,371 S	*	12/2002	Parker	D7/510
D467,124 S	*	12/2002	Janky	D7/533
6,511,031 B2	*	1/2003	Lin	248/346.11
D469,658 S	*	2/2003	Norris et al.	D7/523
D470,638 S	*	2/2003	Quan	D34/7
D479,095 S	*	9/2003	Webb	D7/531
D479,096 S	*	9/2003	Webb	D7/531
D479,670 S	*	9/2003	Webb	D7/532
D479,671 S	*	9/2003	Gluck	D7/533
D480,917 S	*	10/2003	Holsinger et al.	D7/533
D480,918 S	*	10/2003	Belton et al.	D7/533
D480,919 S	*	10/2003	Bin	D7/533

* cited by examiner

Primary Examiner—M. N. Pandozzi

(74) *Attorney, Agent, or Firm*—Barnes & Thornburg

(57) **CLAIM**

The ornamental design for a cup, as shown and described.

DESCRIPTION

FIG. 1 is a perspective view of a cup in accordance with my design;

FIG. 2 is a side elevation view thereof, with the opposite side being a mirror image thereof;

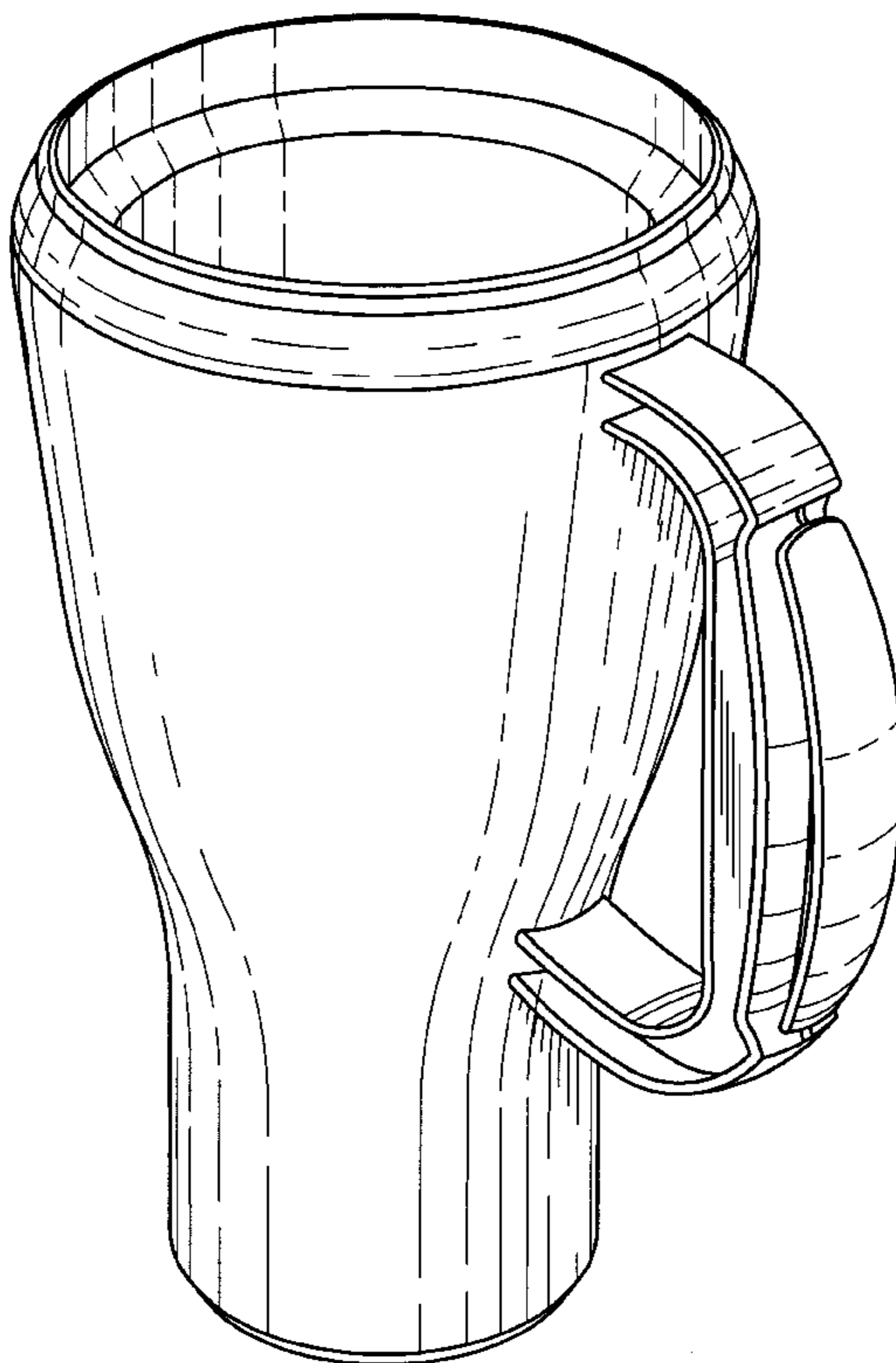
FIG. 3 is a side elevation view thereof;

FIG. 4 is a side elevation view of the side opposite the side illustrated in FIG. 3;

FIG. 5 is a top plan view thereof; and,

FIG. 6 is a bottom plan view thereof.

1 Claim, 5 Drawing Sheets



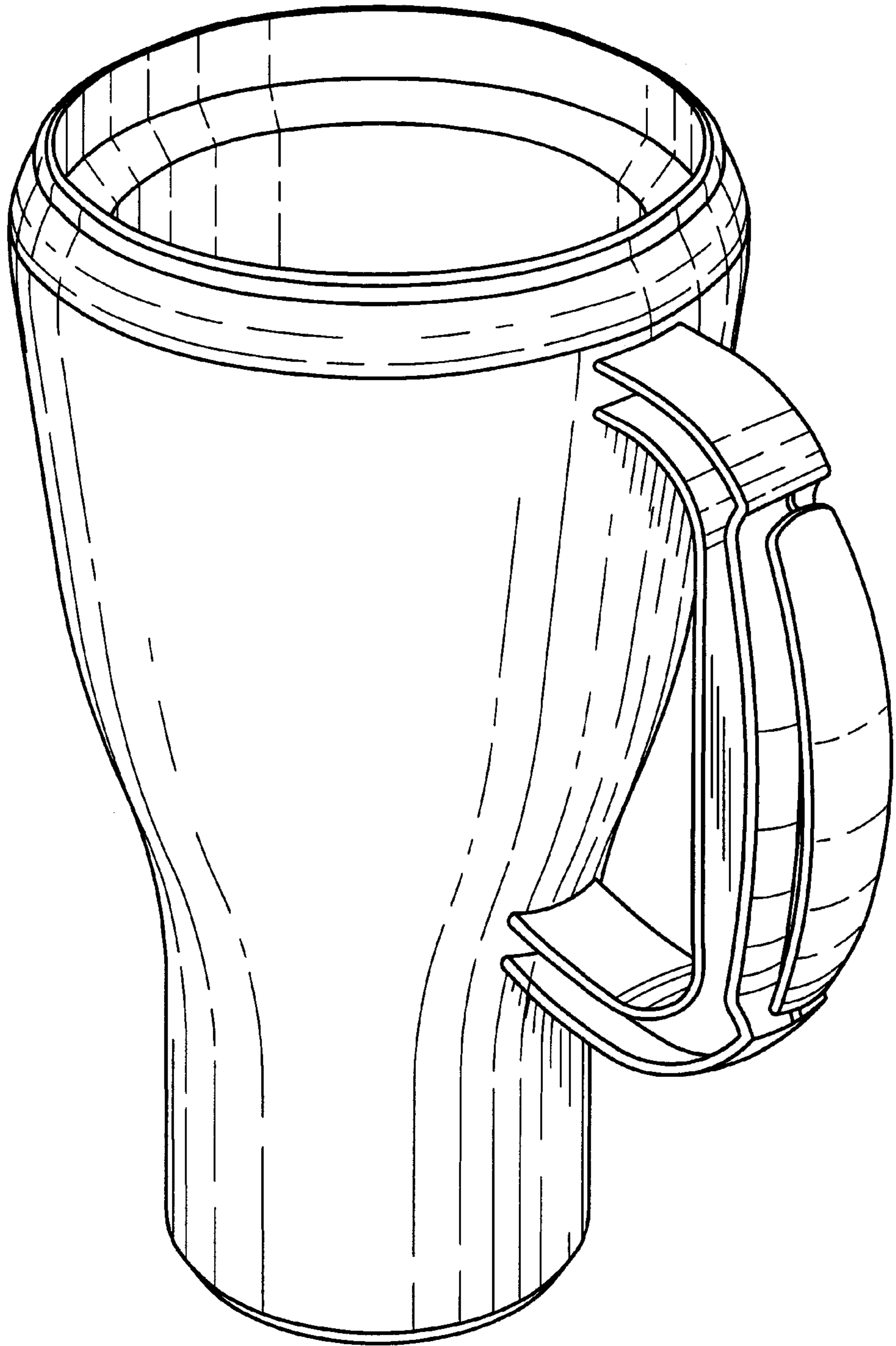


Fig. 1

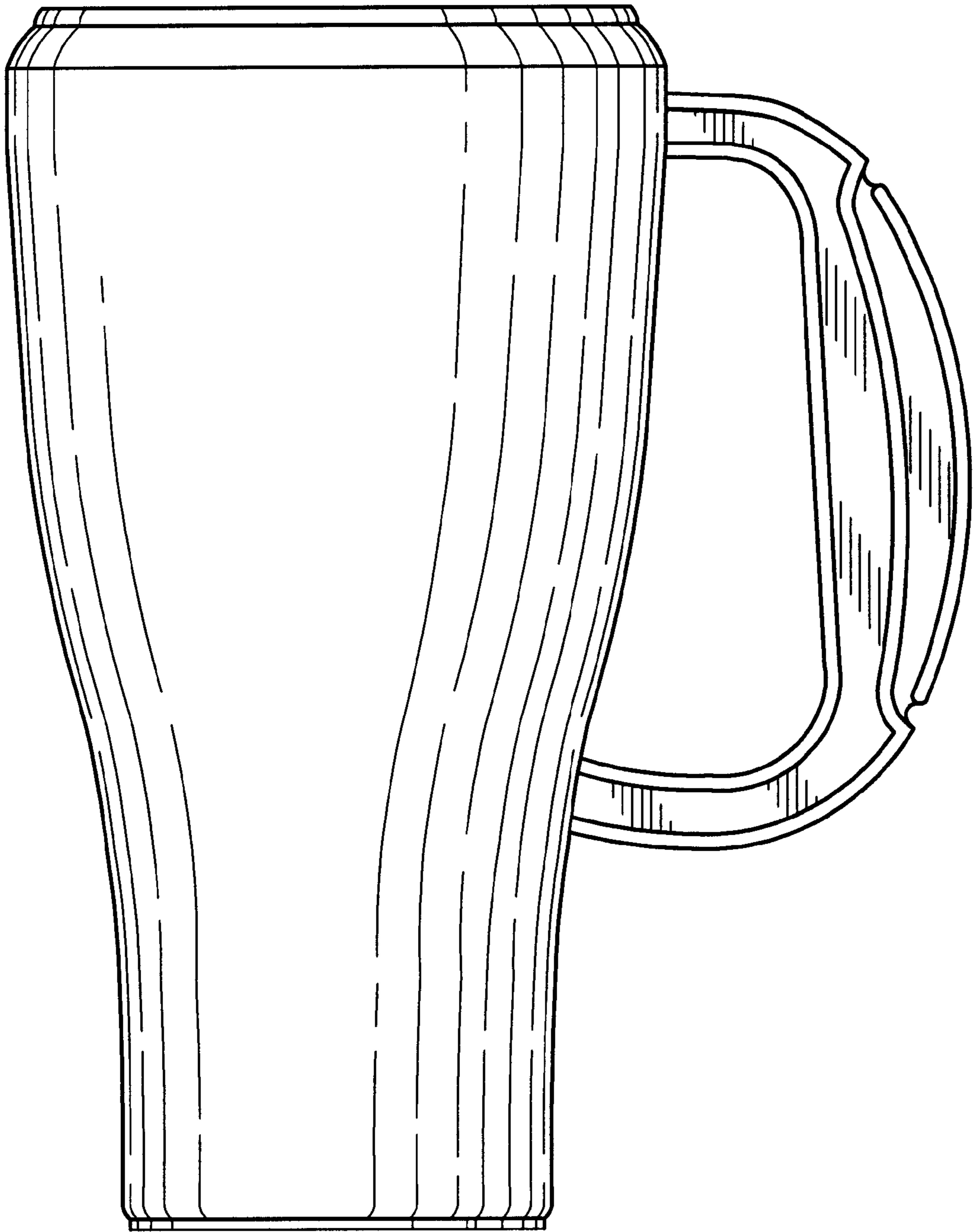


Fig. 2

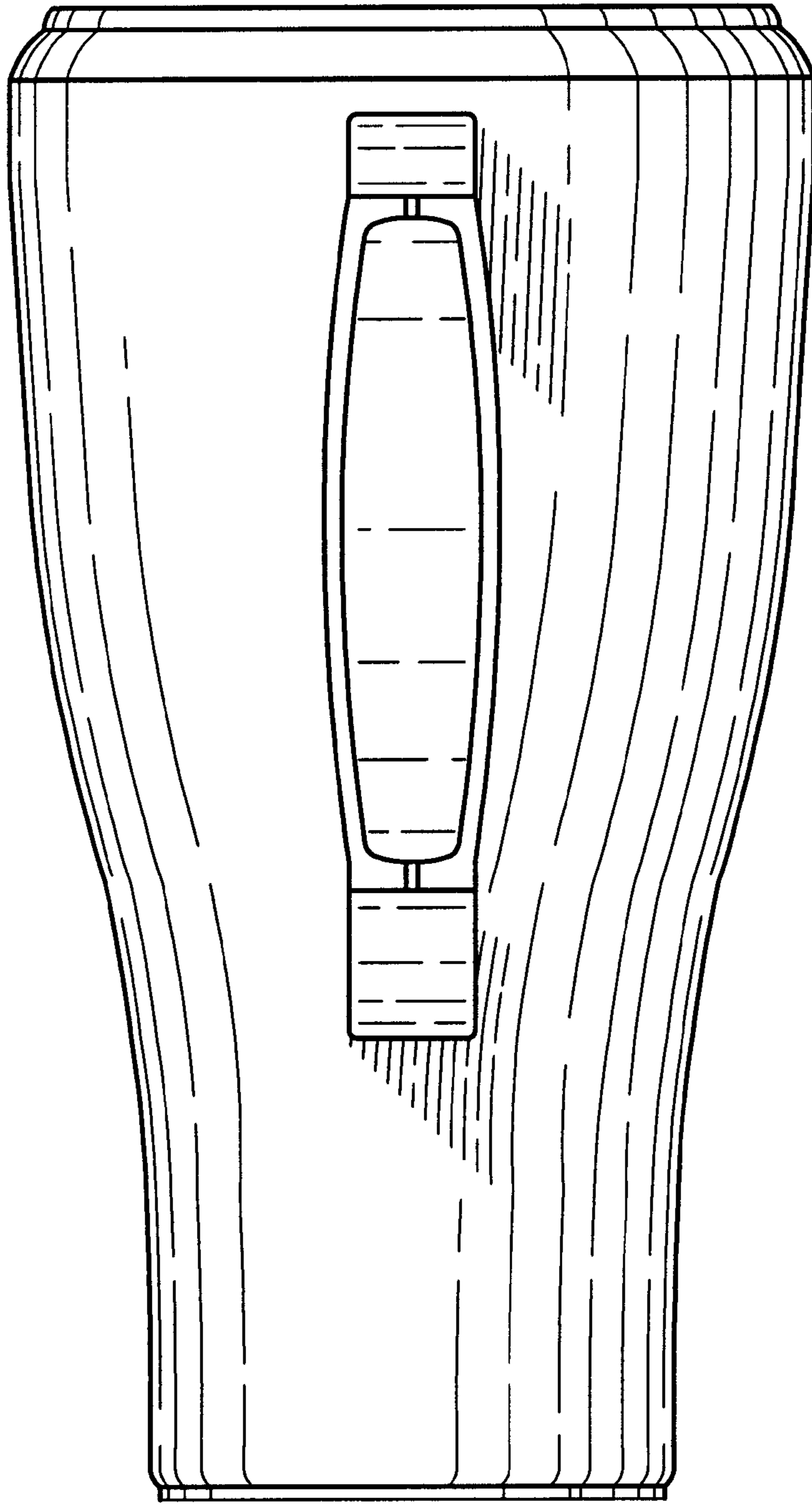


Fig. 3

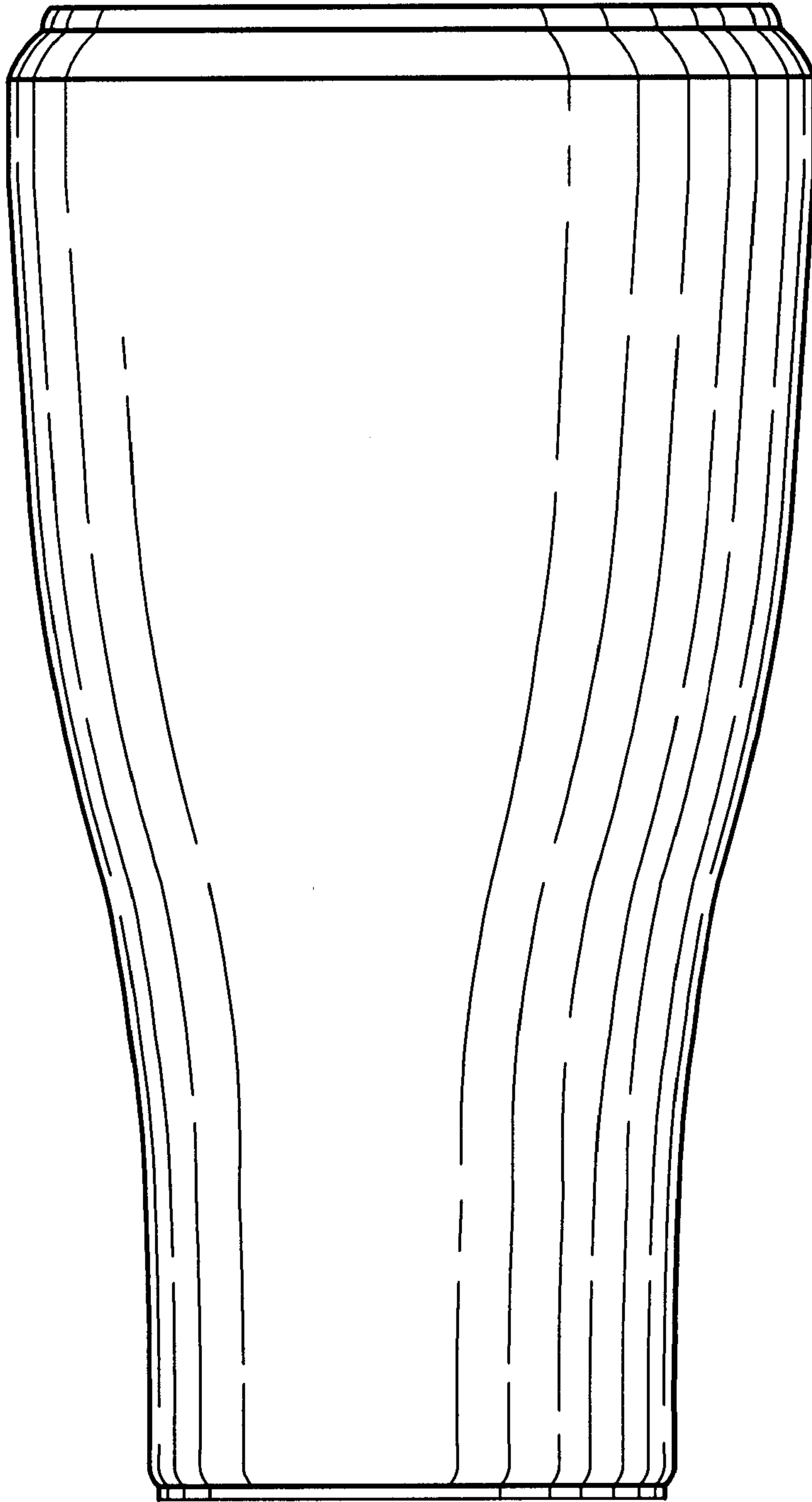


Fig. 4

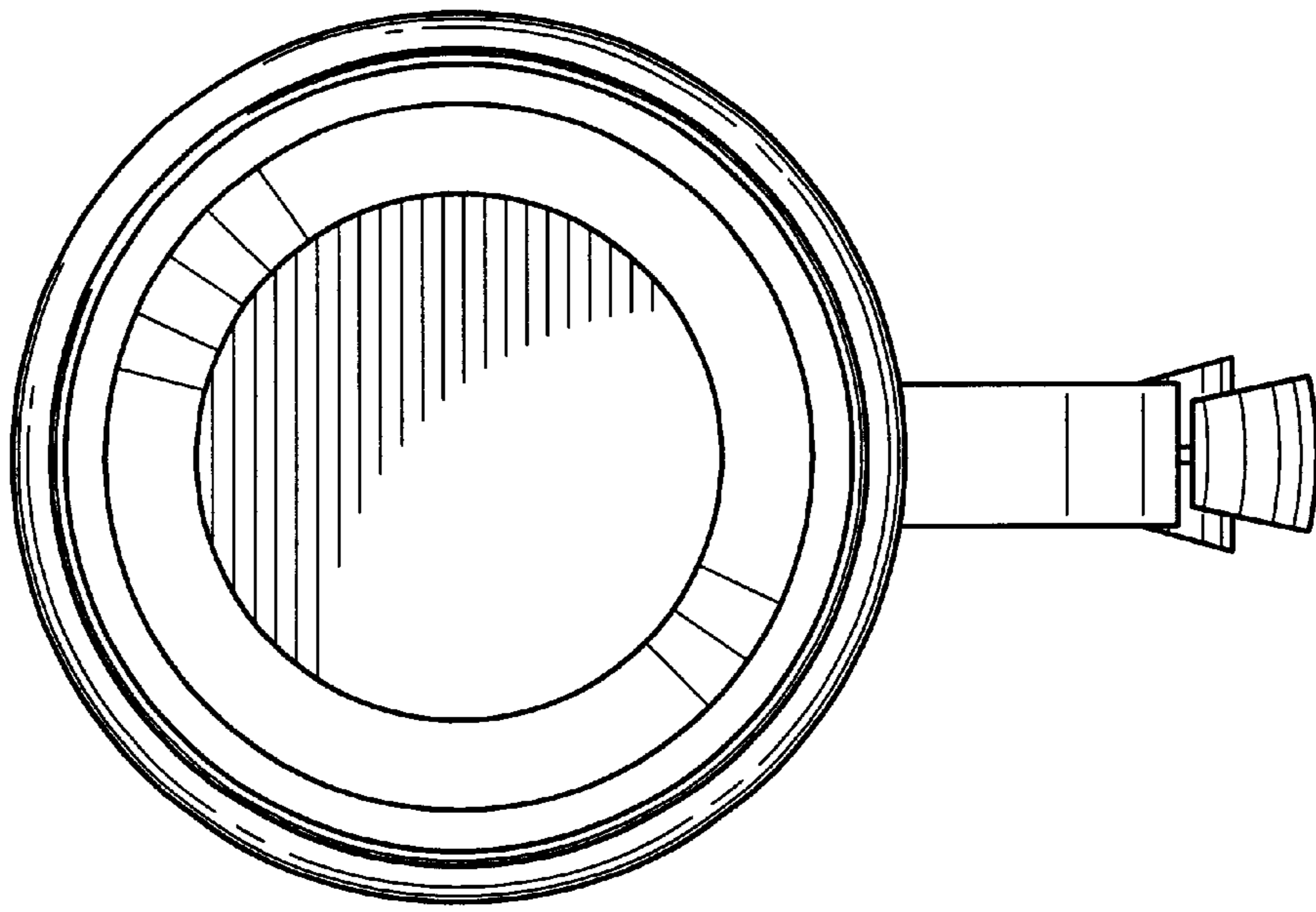


Fig. 5

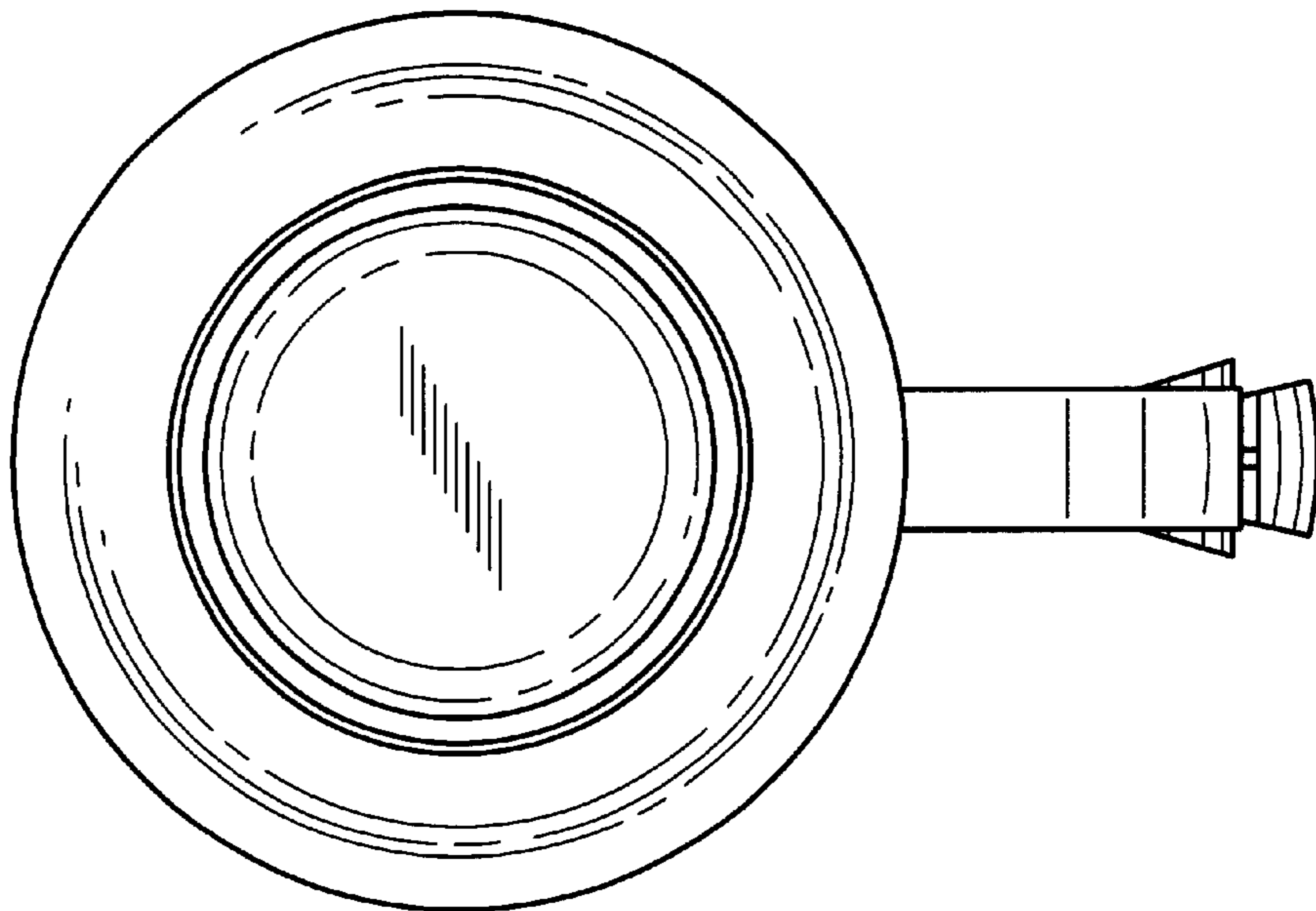


Fig. 6