



US00D489571S

(12) **United States Design Patent**
Lee

(10) **Patent No.:** **US D489,571 S**

(45) **Date of Patent:** **** May 11, 2004**

(54) **MUG WITH GAMING DEVICE**

(76) Inventor: **Kai Tai Lee**, Flat H, 16/F., Tower 1,
Bayshore Towers, 608 Sai Sha Road,
Ma On Shan, Hong Kong (CN)

(**) Term: **14 Years**

(21) Appl. No.: **29/182,057**

(22) Filed: **May 15, 2003**

(51) **LOC (7) Cl.** **07-01**

(52) **U.S. Cl.** **D7/507; D7/536; D7/574**

(58) **Field of Search** **D7/536, 514, 515,**
D7/533, 507; 206/459.1, 534, 217; 116/227,
317, 308; 340/612, 309.1; D21/300, 369,
374

(56) **References Cited**

U.S. PATENT DOCUMENTS

1,980,844 A	*	11/1934	Ball	116/317
2,739,564 A	*	3/1956	North	116/308
2,767,680 A	*	10/1956	Lermer	116/308
3,139,064 A	*	6/1964	Harle	116/309
3,996,879 A	*	12/1976	Walton	116/308
4,877,119 A	*	10/1989	Hosking	206/459.1
4,943,684 A	*	7/1990	Kramer	428/34.4
5,029,700 A	*	7/1991	Chen	206/217
D333,066 S	*	2/1993	Kimpson	D7/509
5,275,277 A	*	1/1994	Gallegos	206/217

5,400,907 A	*	3/1995	Chen	206/459.1
5,482,163 A	*	1/1996	Hoffman	206/534
5,644,298 A	*	7/1997	Brooks et al.	340/612
5,845,777 A	*	12/1998	Najmi	206/459.1
D404,969 S	*	2/1999	Krenzler	D7/507
D465,132 S	*	11/2002	Janky et al.	D7/510
D477,500 S	*	7/2003	Smith	D7/515

* cited by examiner

Primary Examiner—M. N. Pandozzi

(57) **CLAIM**

The ornamental design for a mug with gaming device, as shown.

DESCRIPTION

The claimed mug with gaming device is used for drinking as well as playing games of chance and fortune telling.

FIG. 1 is a front elevational view of a mug with gaming device showing my new design;

FIG. 2 is a rear elevational view thereof;

FIG. 3 is a left side view thereof;

FIG. 4 is a right side view thereof;

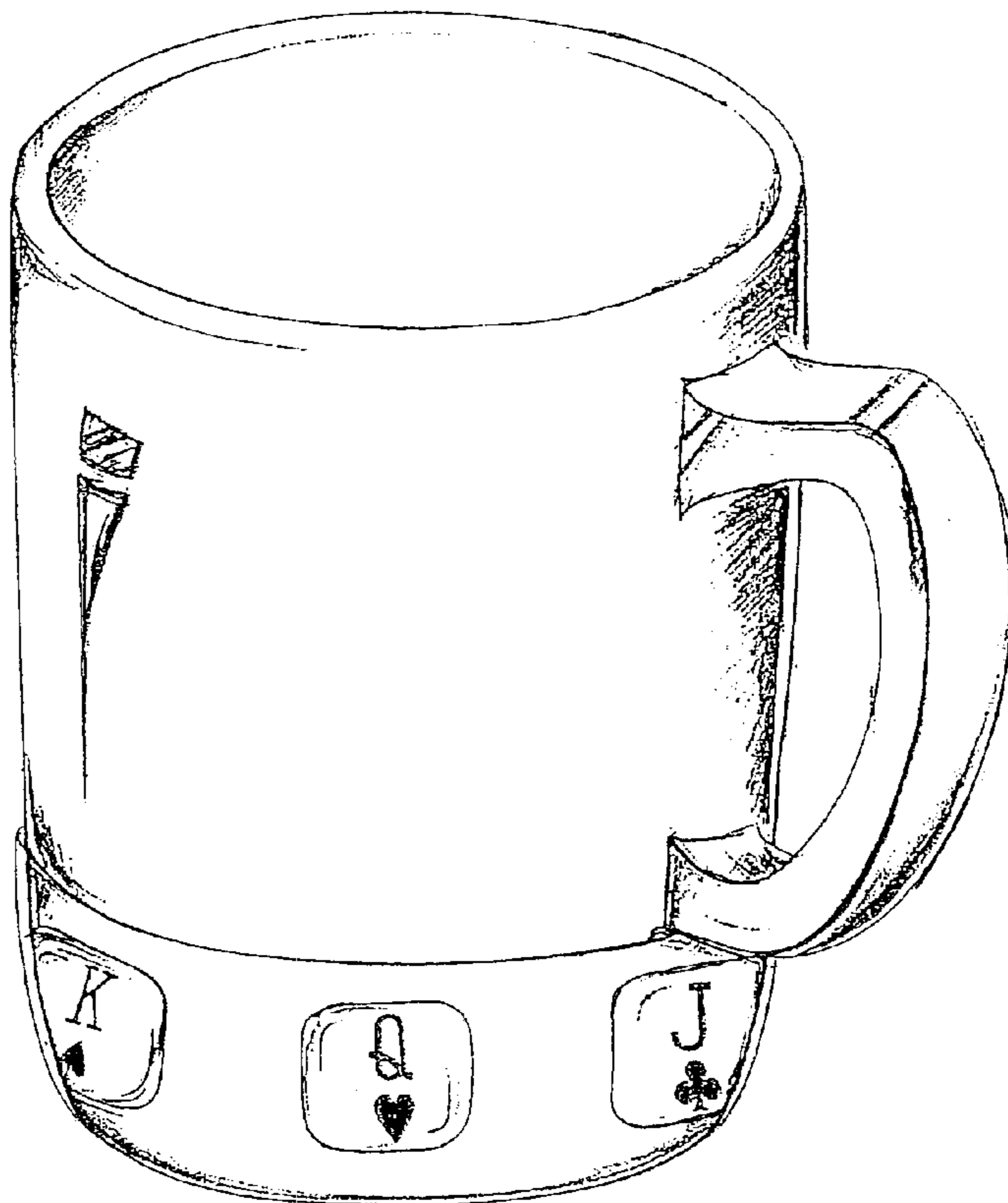
FIG. 5 is a top plan view thereof;

FIG. 6 is a bottom plan view thereof;

FIG. 7 is a perspective view thereof; and,

FIG. 8 is a perspective dismantling view thereof with the electronic component and the display ring being pulled out.

1 Claim, 5 Drawing Sheets



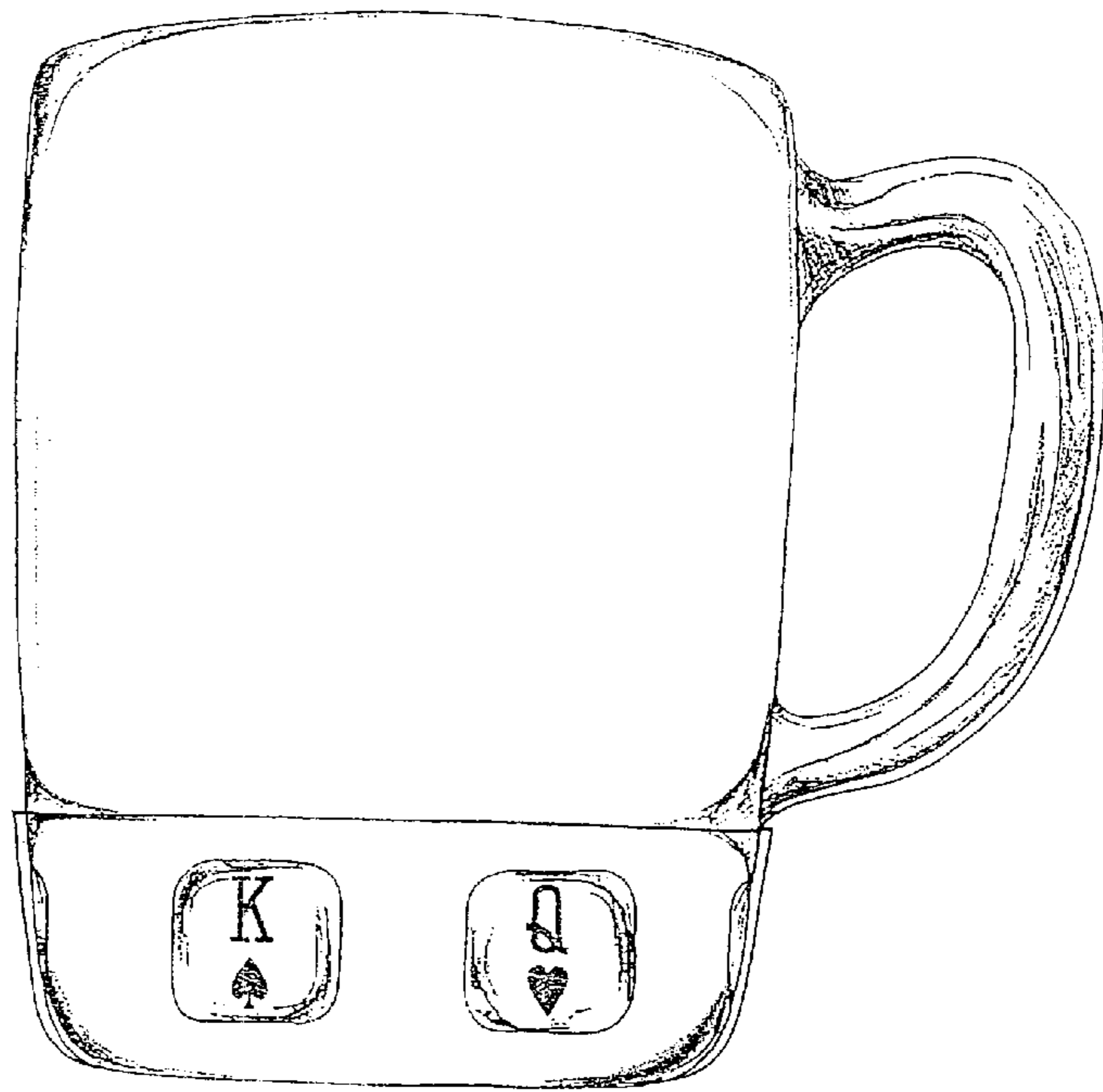


FIG. 1

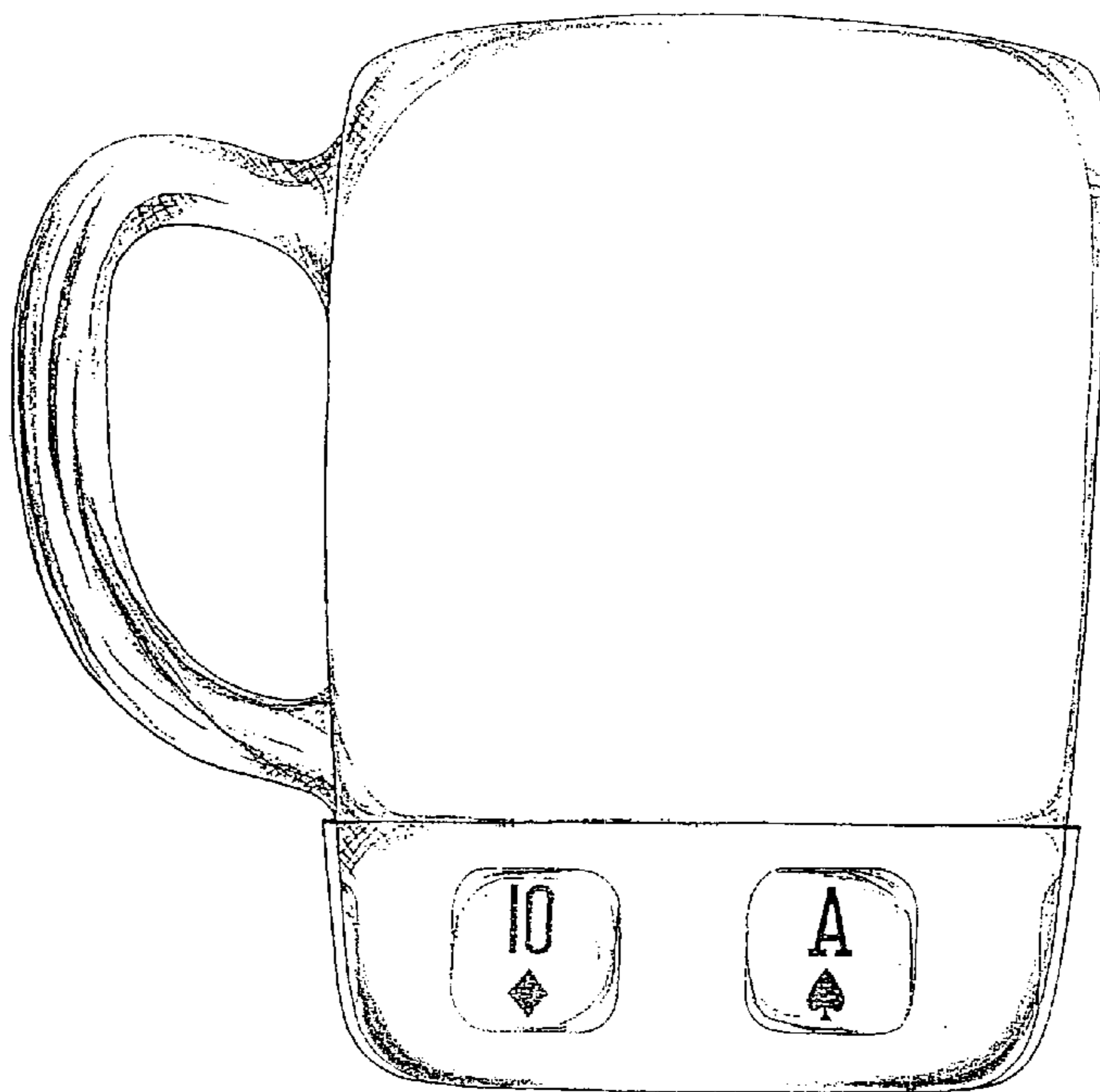


FIG. 2

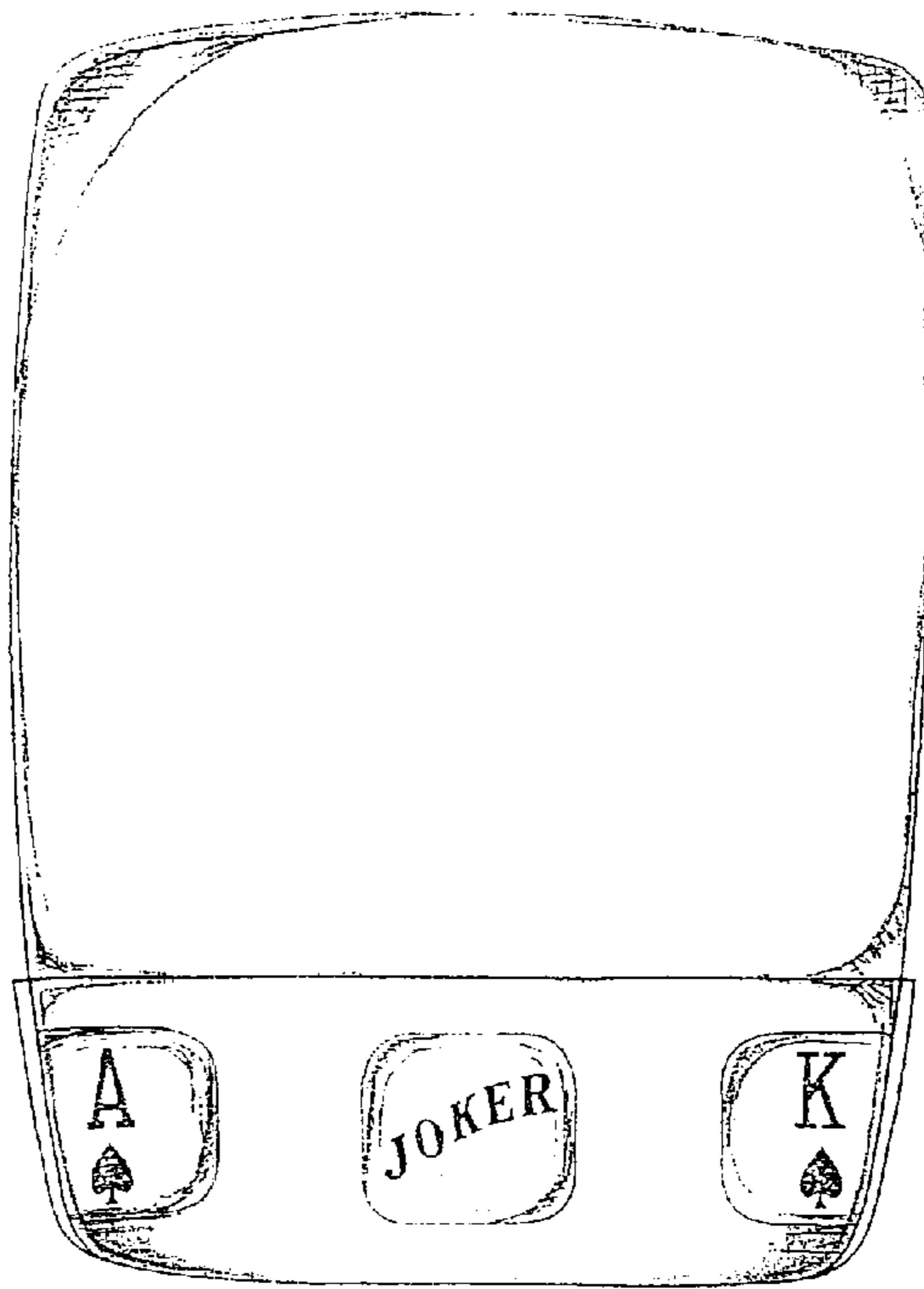


FIG. 3

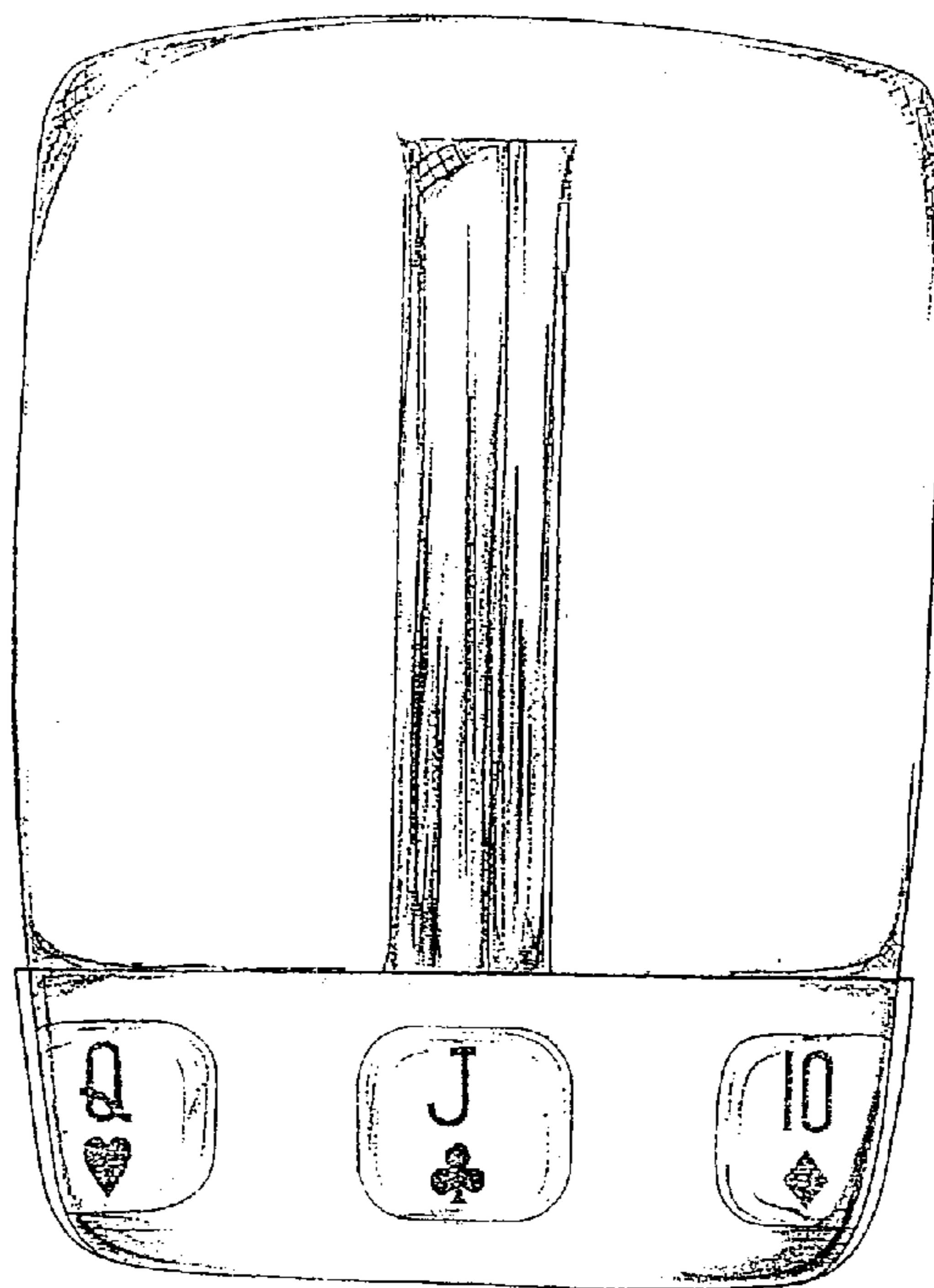


FIG. 4

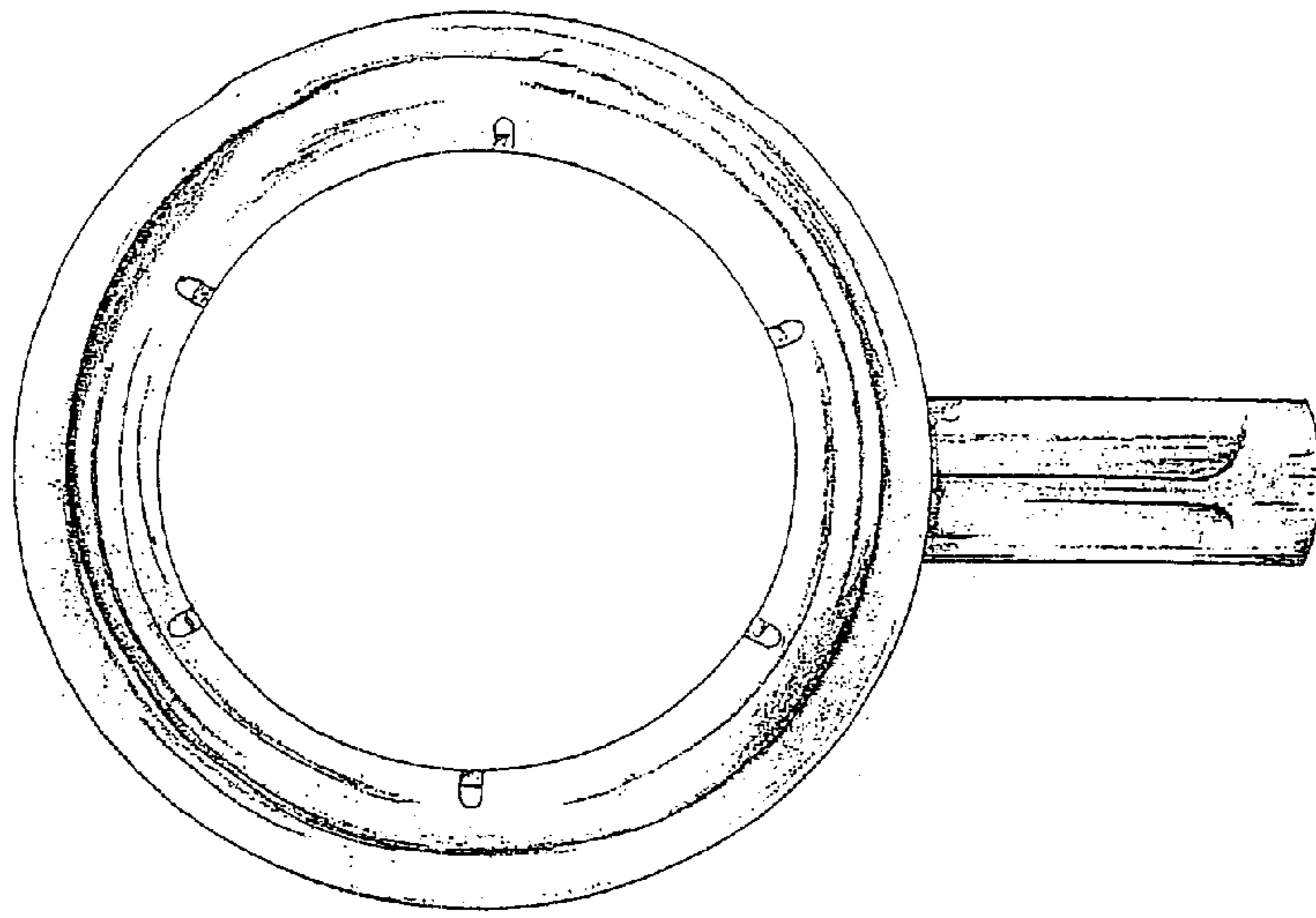


FIG. 5

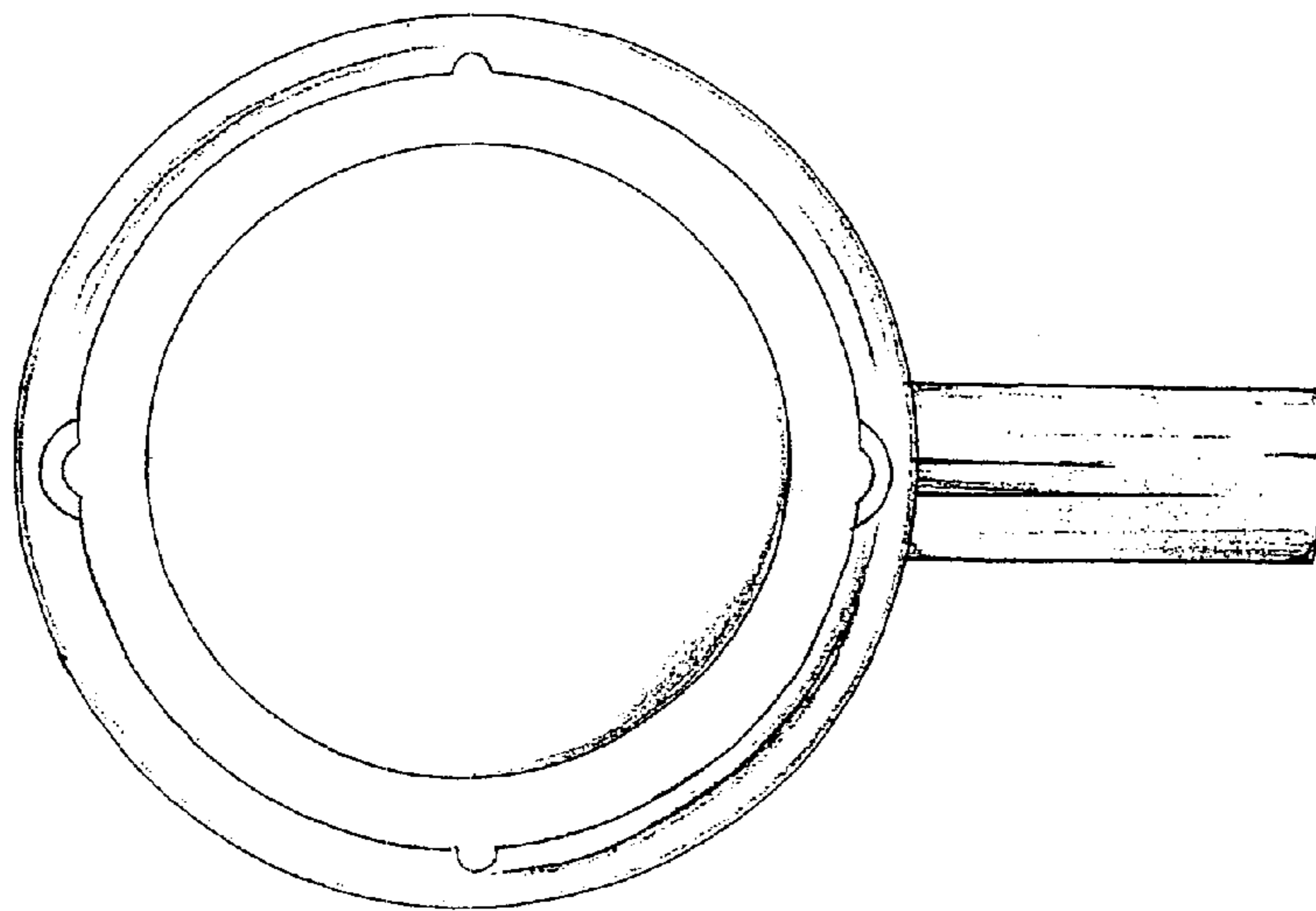


FIG. 6

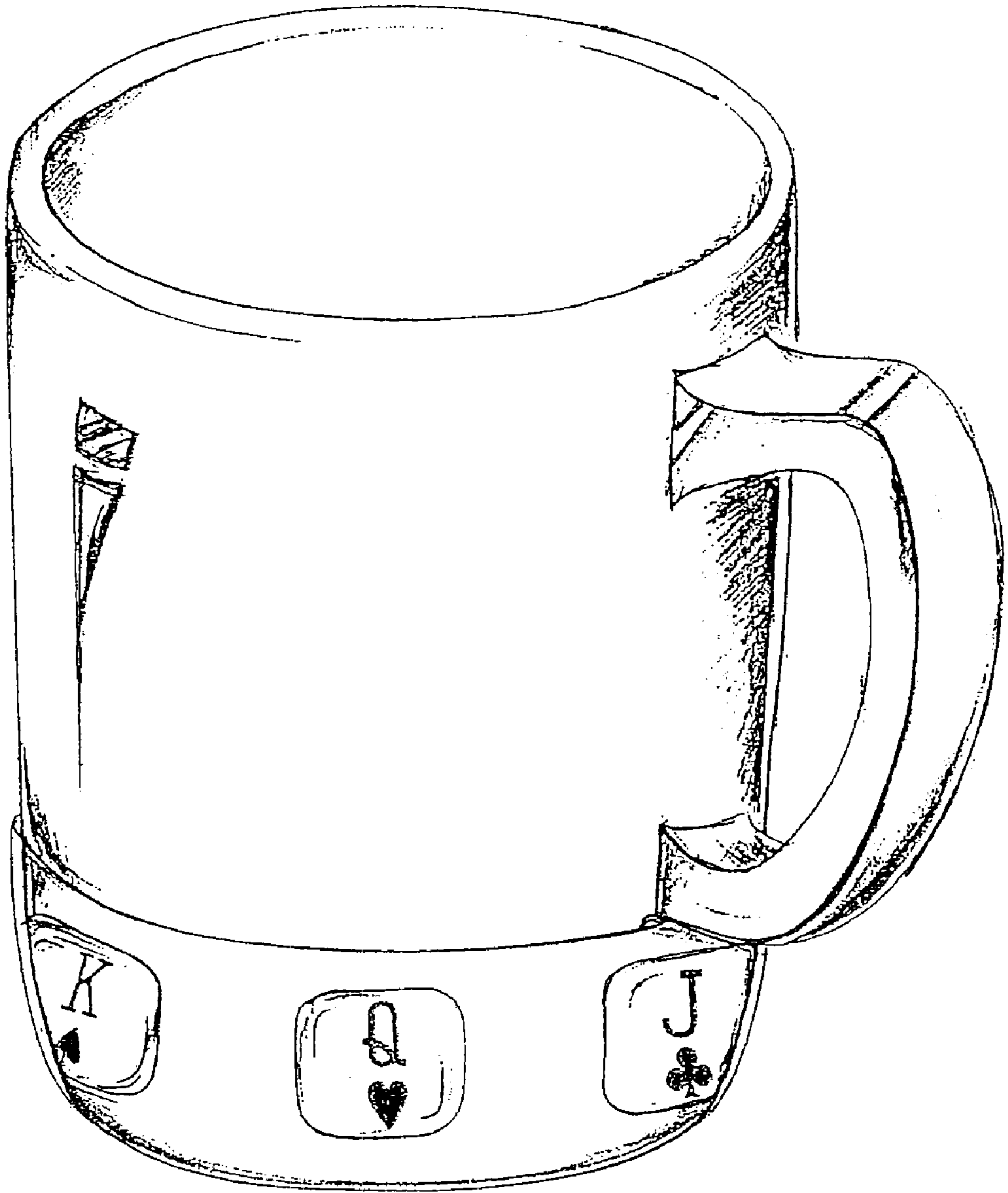


FIG. 7

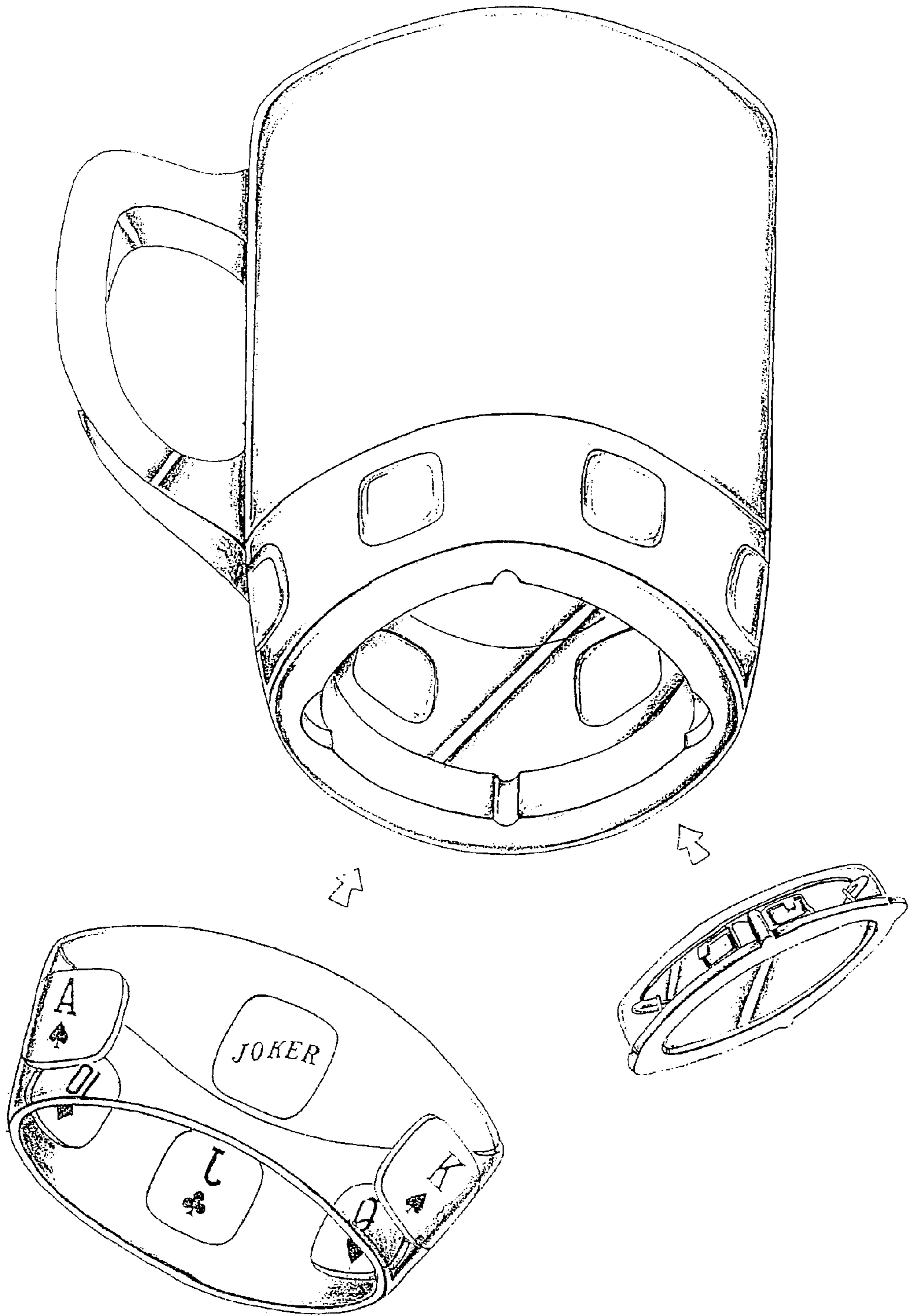


FIG. 8