



US00D489569S

(12) **United States Design Patent**
Smith et al.

(10) **Patent No.:** **US D489,569 S**

(45) **Date of Patent:** **** May 11, 2004**

(54) **STAND MIXER**

(75) **Inventors:** **Shannon Leigh Smith**, Richmond, VA (US); **Martin Patrick Brady**, Richmond, VA (US)

(73) **Assignee:** **Hamilton Beach/Proctor-Silex, Inc.**, Glen Allen, VA (US)

(**) **Term:** **14 Years**

(21) **Appl. No.:** **29/188,930**

(22) **Filed:** **Aug. 25, 2003**

(51) **LOC (7) Cl.** **31-00**

(52) **U.S. Cl.** **D7/379**

(58) **Field of Search** D7/376-386; 366/64-67, 366/129, 130, 197-207, 219-221, 241-254, 341, 98, 100, 279, 318, 325.3, 325.92, 325.93, 325.94, 327.2

(56) **References Cited**

U.S. PATENT DOCUMENTS

D83,410 S	2/1931	McArdle	
2,013,887 A	10/1935	Jeppsson	
2,046,784 A	7/1936	Krause	
2,208,955 A	7/1940	Wolff	
2,643,864 A	6/1953	Graham et al.	
D170,130 S	* 8/1953	Moore D7/379
D182,885 S	5/1958	Ernest	
D194,473 S	1/1963	Reed	
3,077,340 A	2/1963	Jepson et al.	
3,333,824 A	8/1967	Jepson et al.	
D256,319 S	8/1980	Ernest et al.	
4,277,181 A	7/1981	Stahly et al.	
4,325,643 A	4/1982	Scott et al.	
D279,858 S	7/1985	Janssens	
4,900,160 A	2/1990	Brooks et al.	
D314,883 S	2/1991	Naft	
D319,555 S	9/1991	Thomas	
D322,009 S	12/1991	Doggett	

5,660,469 A	8/1997	Seguin	
D384,549 S	10/1997	Cesaroni et al.	
D394,781 S	* 6/1998	Doggett D7/379
D395,572 S	6/1998	Carroll et al.	
5,782,558 A	7/1998	Roberts	
D400,759 S	11/1998	Doggett	
6,068,398 A	5/2000	Lin	
D438,424 S	* 3/2001	Po-Hei D7/379
D438,752 S	* 3/2001	Po-Hei D7/379
D447,907 S	* 9/2001	Po-Hei D7/379
6,312,150 B1	11/2001	Allard et al.	

OTHER PUBLICATIONS

Renderings of GE 106602 Stand Mixer, Sep., 2002.
Rendering of GE 106772 Hand/Stand Mixer, May, 2002.
Renderings of HB 64695/64696 Hand/Stand Mixer, Aug., 2001.

* cited by examiner

Primary Examiner—Caron D. Veynar
(74) *Attorney, Agent, or Firm*—Akin Gump Strauss Hauer & Feld LLP

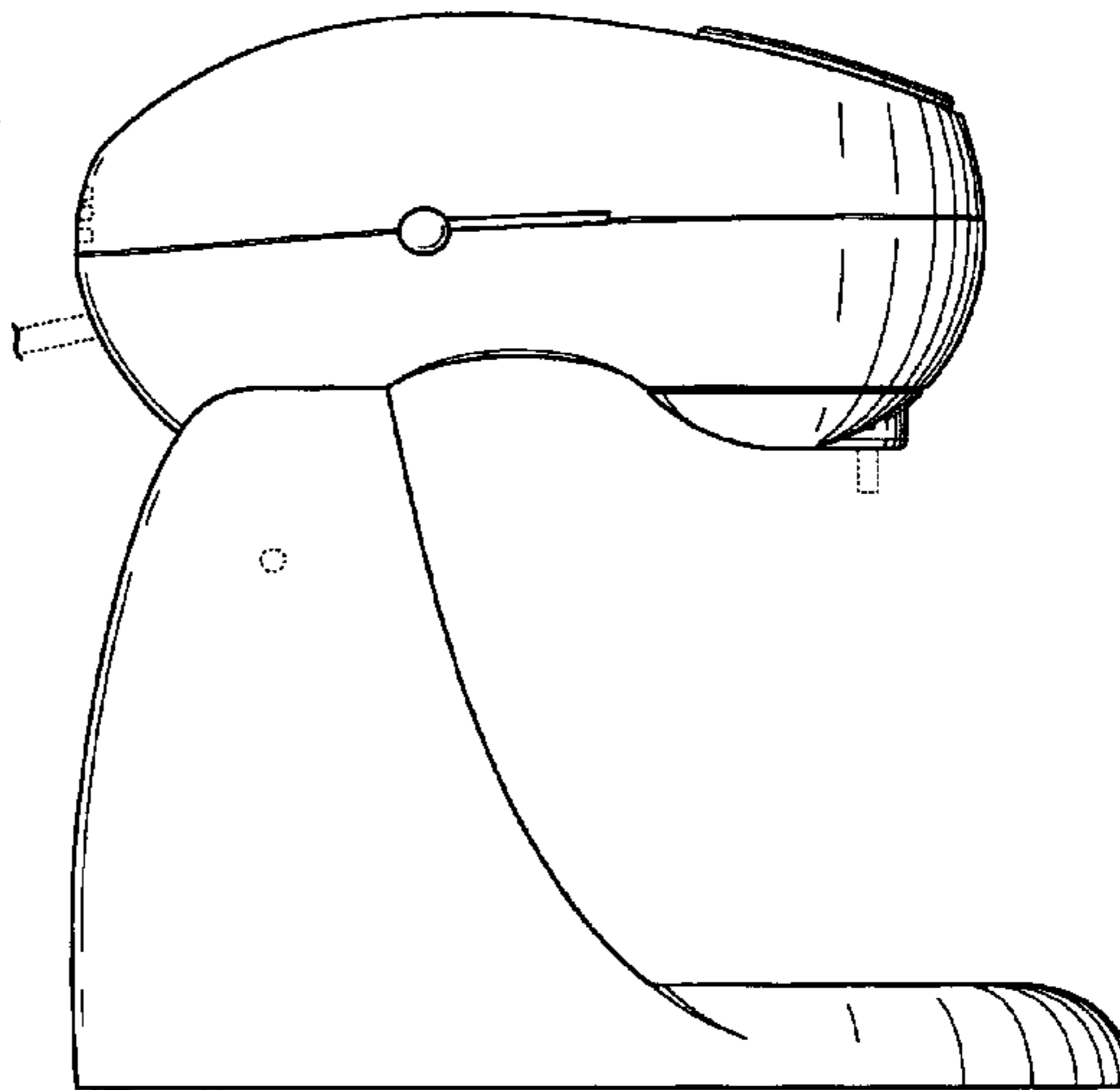
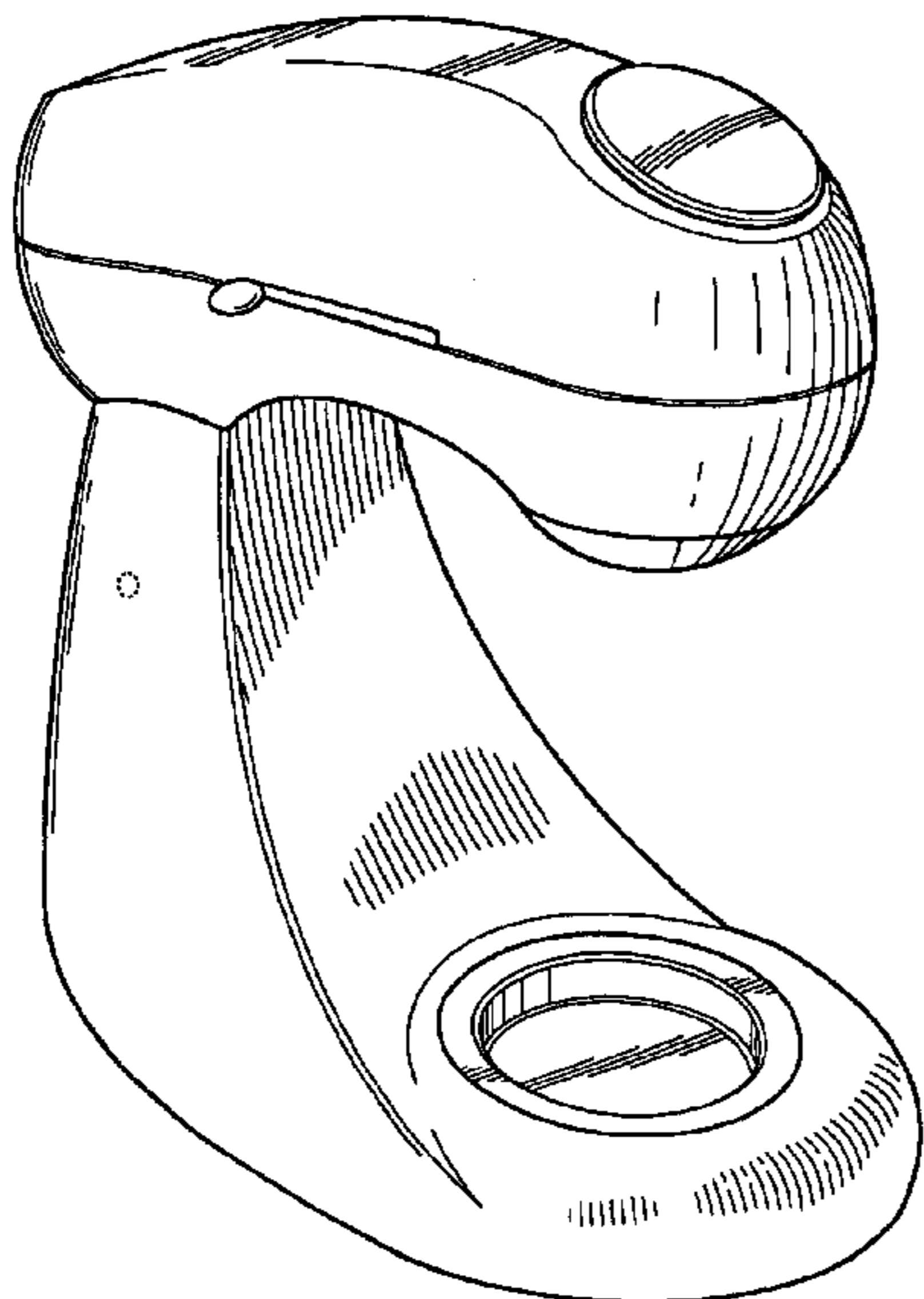
(57) **CLAIM**

The ornamental design for a stand mixer, as shown and described.

DESCRIPTION

FIG. 1 is a top perspective view of the stand mixer in accordance with my new design;
FIG. 2 is a top plan view thereof;
FIG. 3 is a front elevational view thereof;
FIG. 4 is a left-side elevational view thereof;
FIG. 5 is a right-side elevational view thereof;
FIG. 6 is a rear elevational view thereof; and,
FIG. 7 is a bottom plan view thereof.
The broken lines in the figures are for illustrative purposes only and form no part of the claimed design.

1 Claim, 7 Drawing Sheets



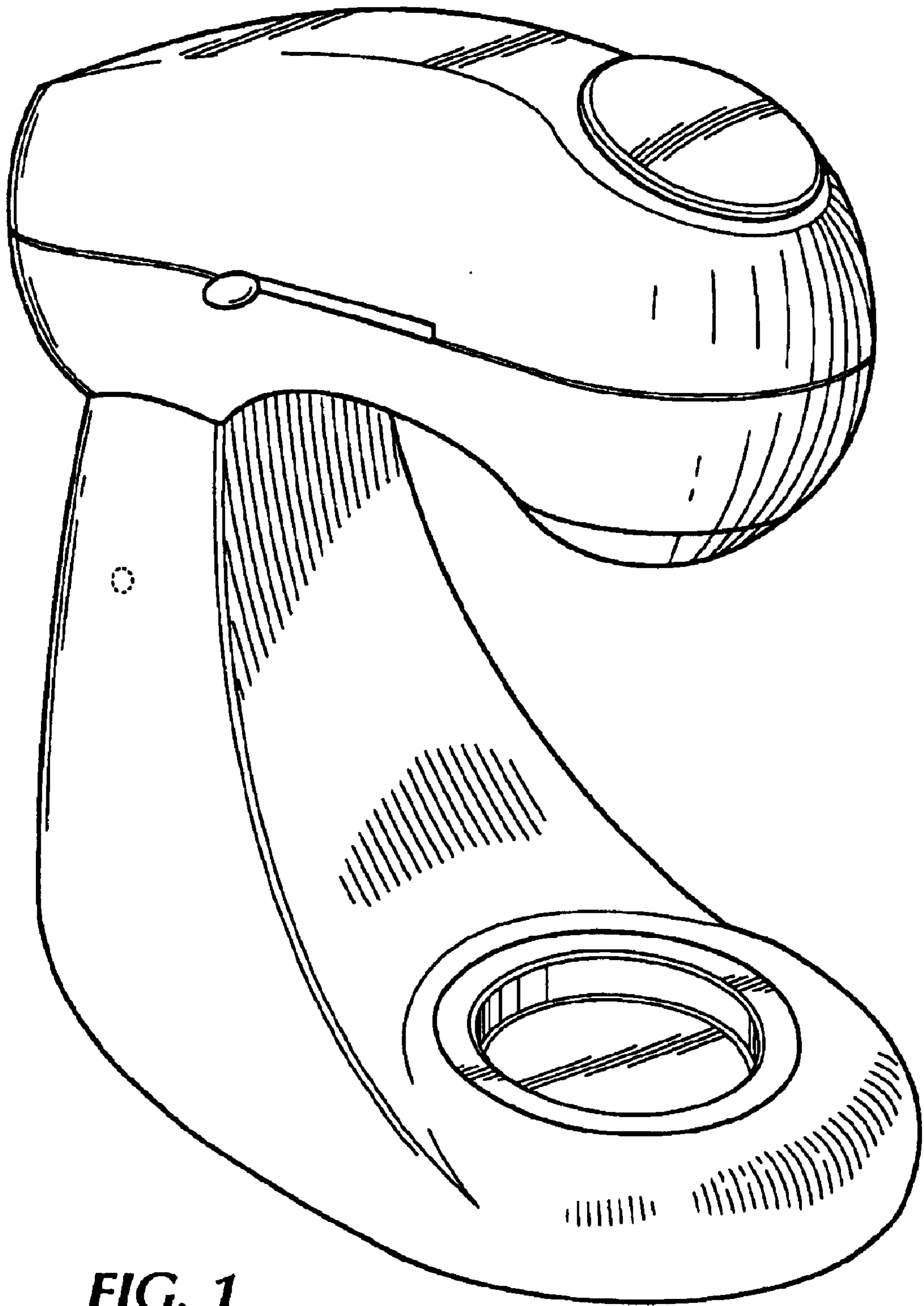


FIG. 1

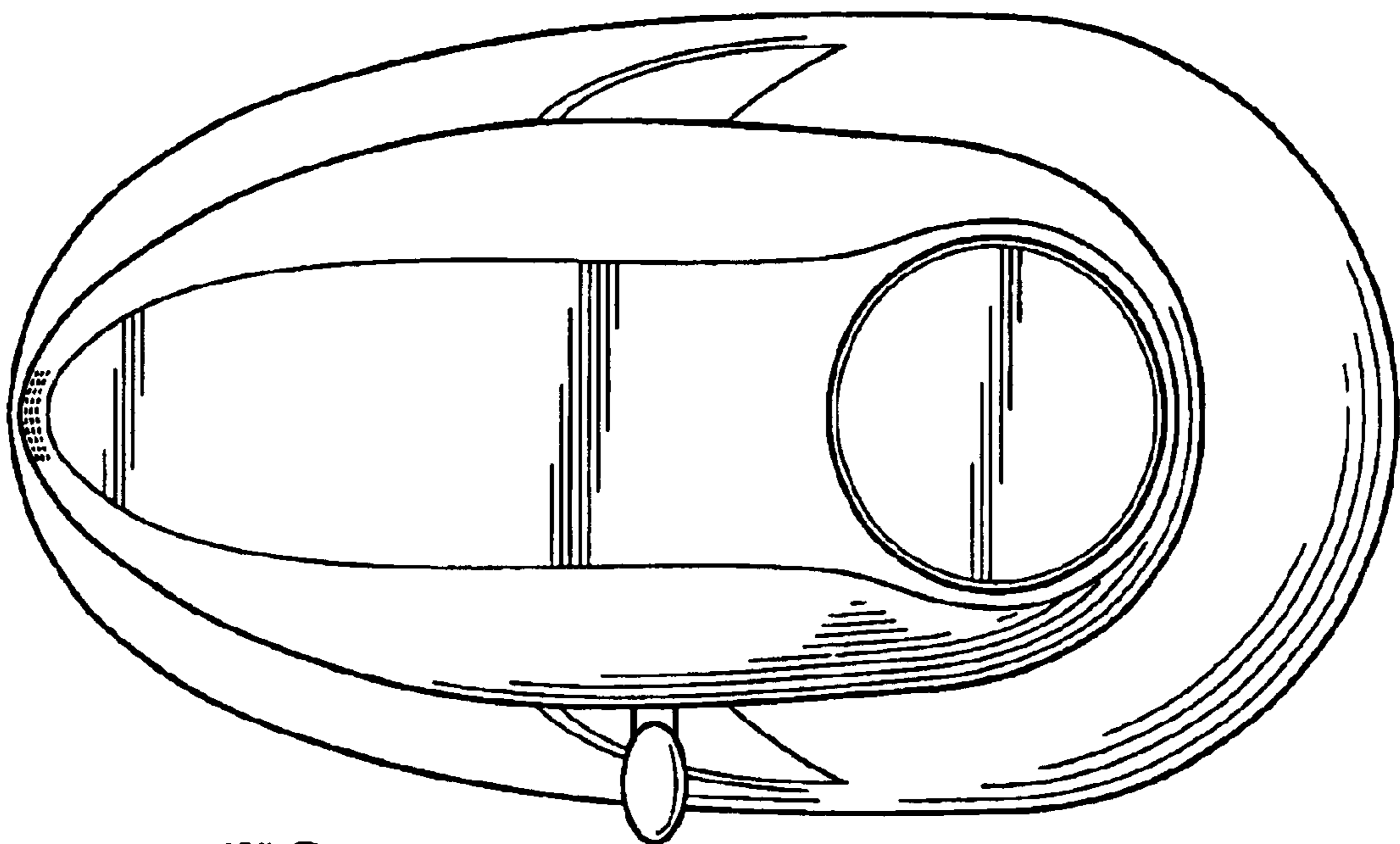


FIG. 2

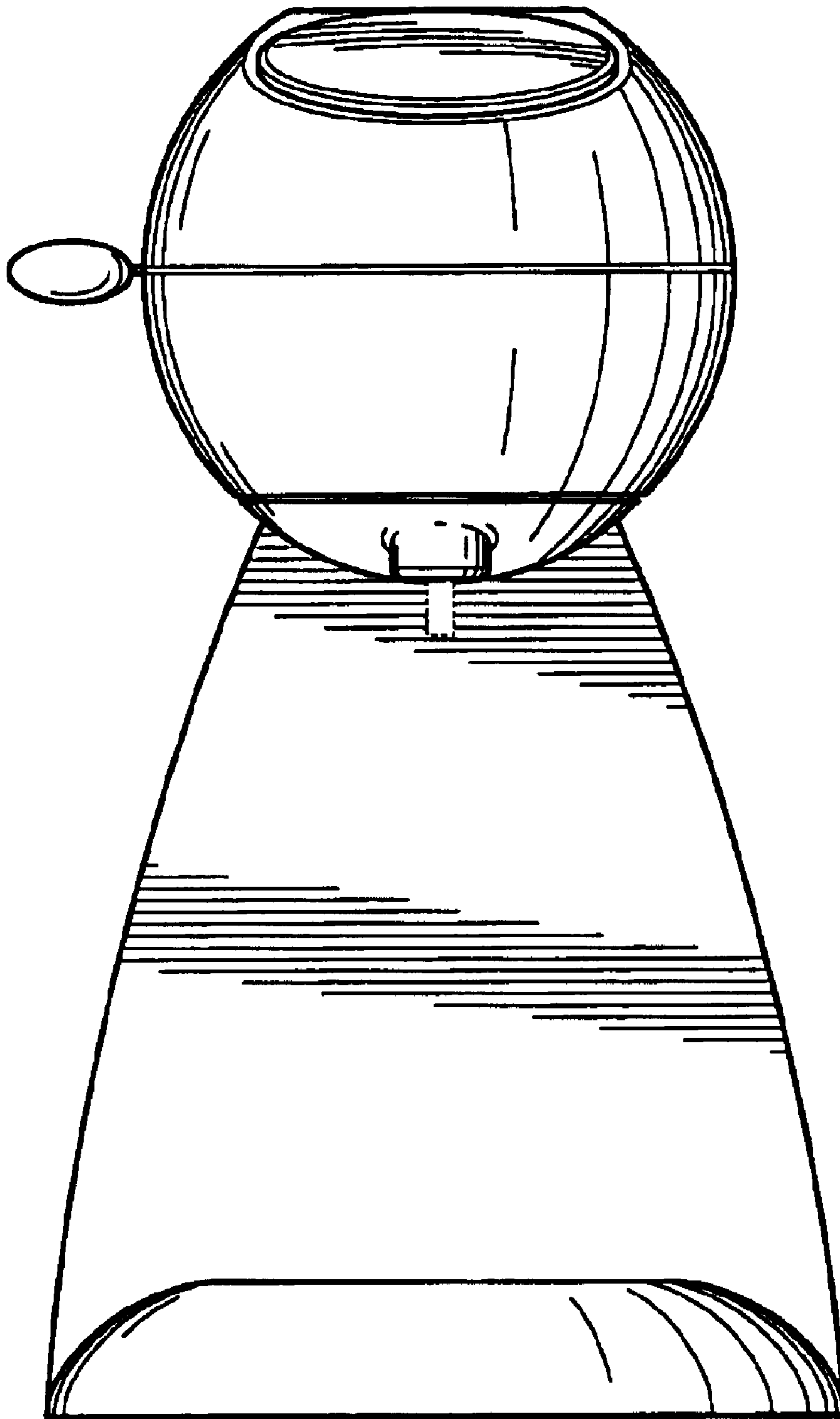


FIG. 3

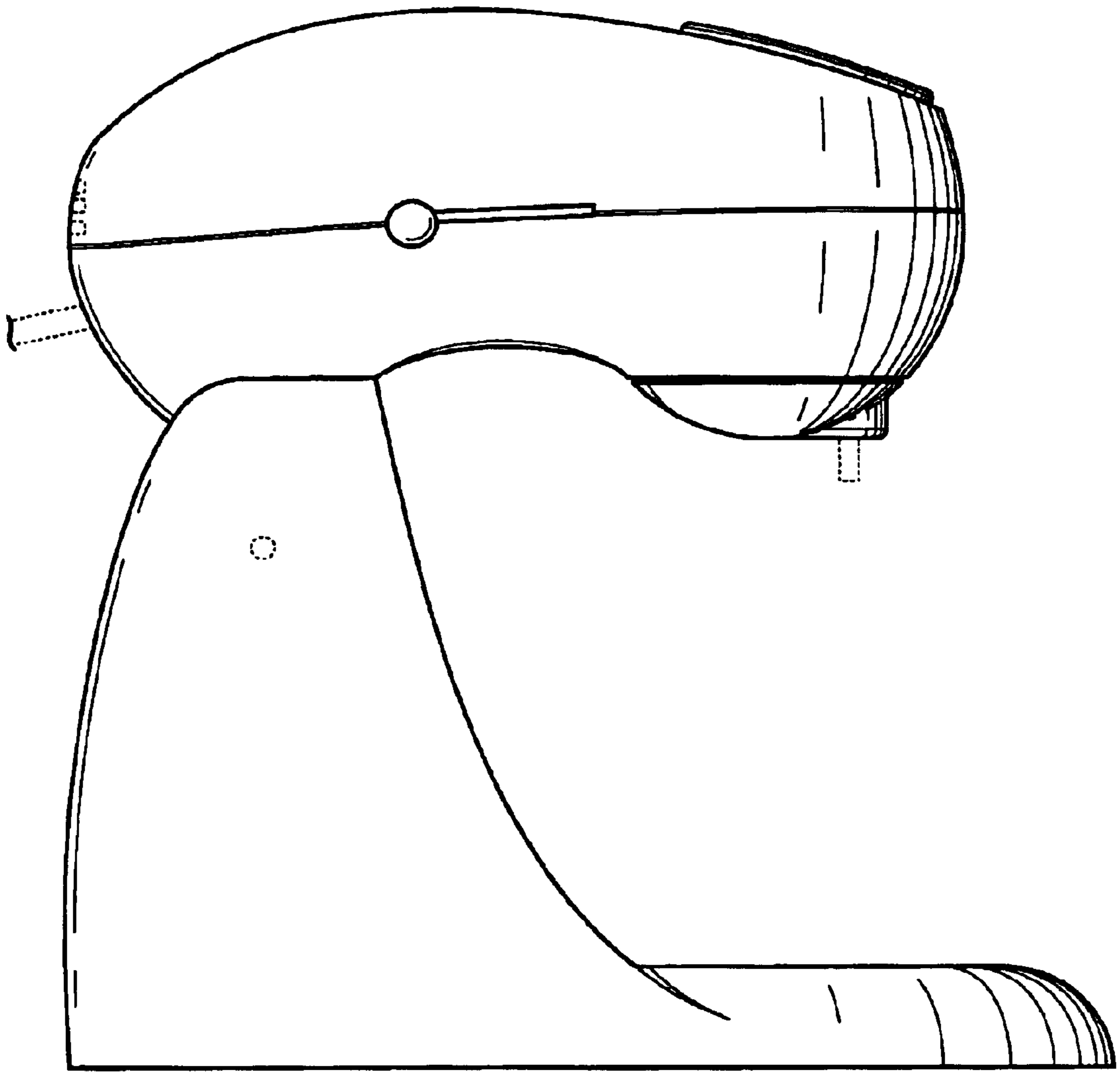


FIG. 4

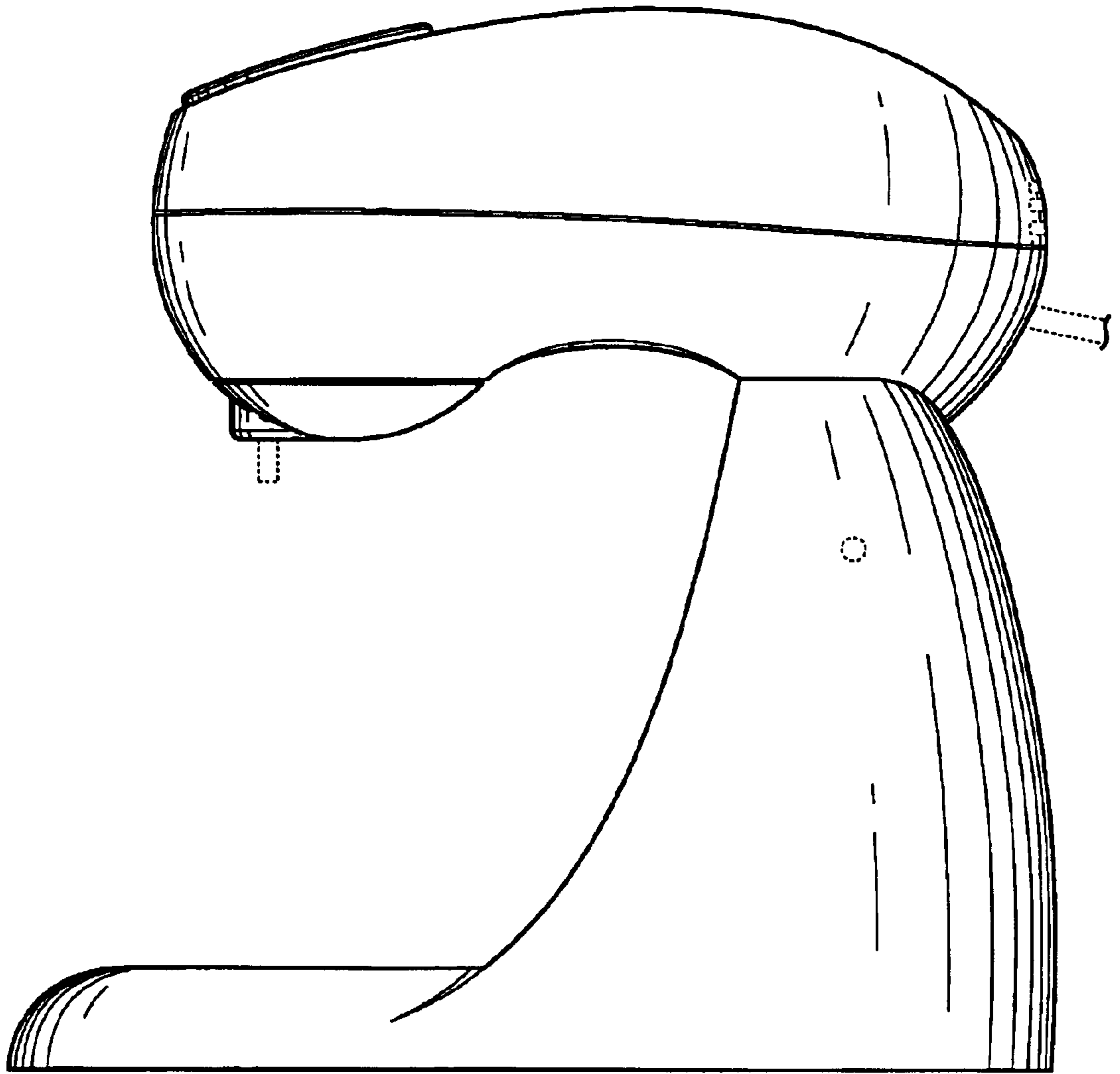


FIG. 5

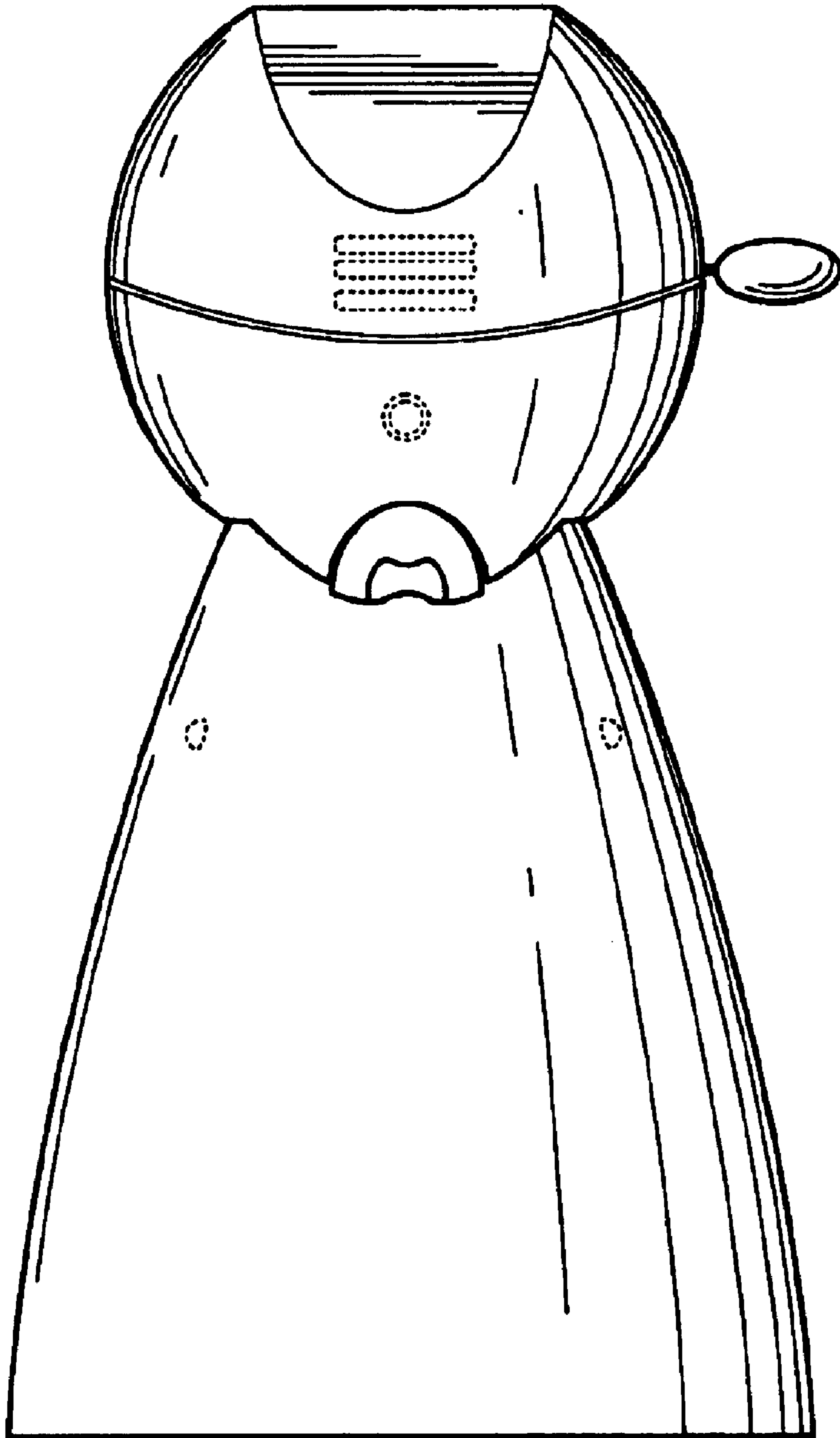


FIG. 6

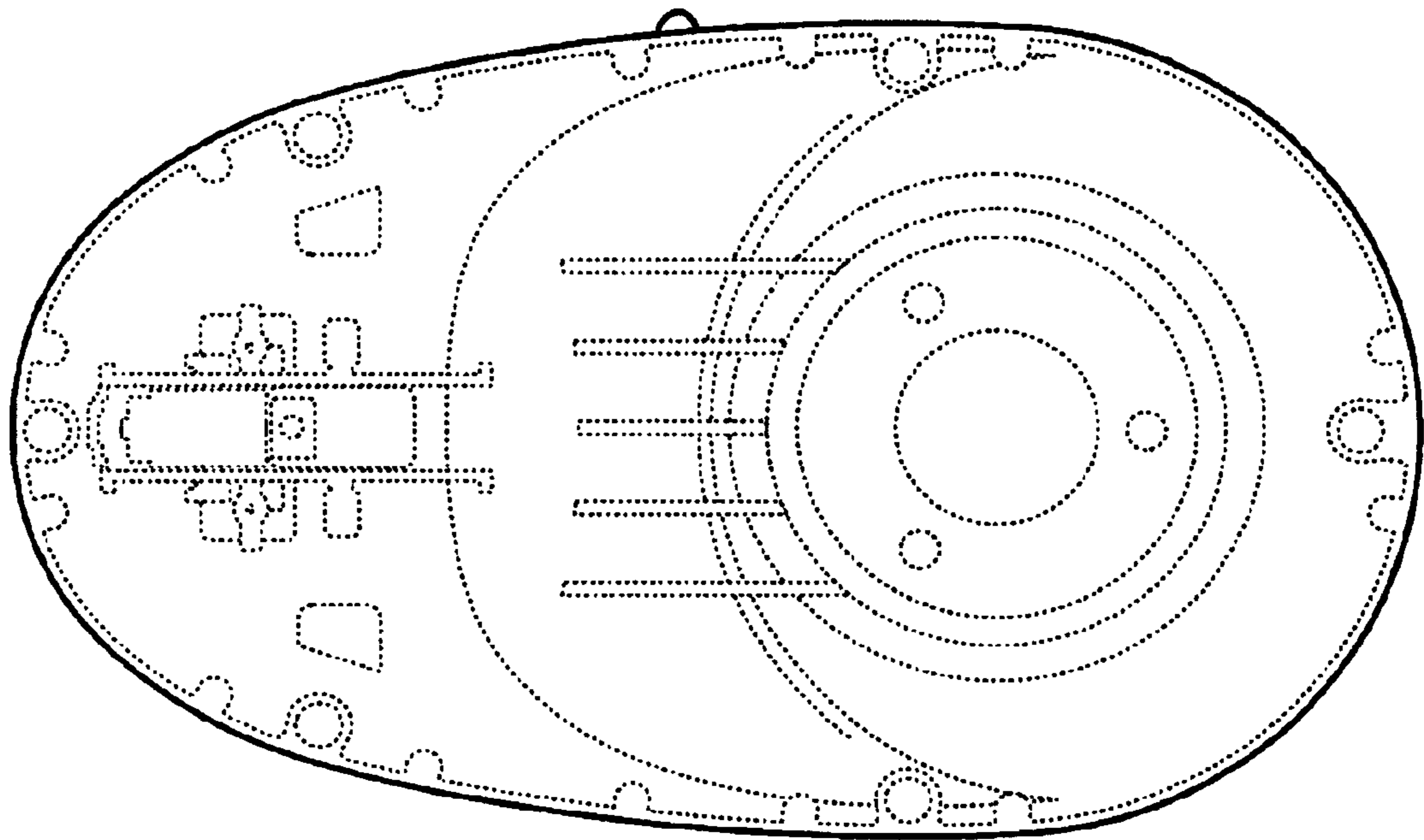


FIG. 7