



US00D489567S

(12) **United States Design Patent**
Groll

(10) **Patent No.:** **US D489,567 S**

(45) **Date of Patent:** **** May 11, 2004**

(54) **RECTANGULAR UTILITY BAKING PAN**

(75) Inventor: **William A. Groll**, McMurray, PA (US)

(73) Assignee: **Clad Metals LLC**, Canonsburg, PA (US)

(**) Term: **14 Years**

(21) Appl. No.: **29/176,765**

(22) Filed: **Feb. 27, 2003**

(51) **LOC (7) Cl.** **07-02**

(52) **U.S. Cl.** **D7/354**

(58) **Field of Search** D7/354-357, 361,
D7/553.7, 560, 554.1-554.4; 220/573.1-574,
912

(56) **References Cited**

U.S. PATENT DOCUMENTS

D258,212 S	*	2/1981	Negrete	D7/409
D263,268 S	*	3/1982	Rein	D7/554.3
D427,009 S	*	6/2000	Iyengar et al.	D7/360
D431,958 S	*	10/2000	Harris	D7/354

* cited by examiner

Primary Examiner—Lisa Lichtenstein

(74) *Attorney, Agent, or Firm*—Webb Ziesenheim Logsdon Orkin & Hanson, P.C.

(57) **CLAIM**

The ornamental design for a rectangular utility baking pan, as shown and described.

DESCRIPTION

As shown in the appended drawings, the ornamental design of my invention is directed to bakeware having decorative textured surfaces comprising a raised diamond pattern on the inner (food contacting) surface and an indented diamond pattern on the exterior surface thereof.

FIG. 1 is a perspective view of a rectangular utility baking pan of the present invention;

FIG. 2 is an enlarged view of the pattern shown in area 2 in FIG. 1.

FIG. 3 is an enlarged view of the pattern shown in area 3 in FIG. 1.

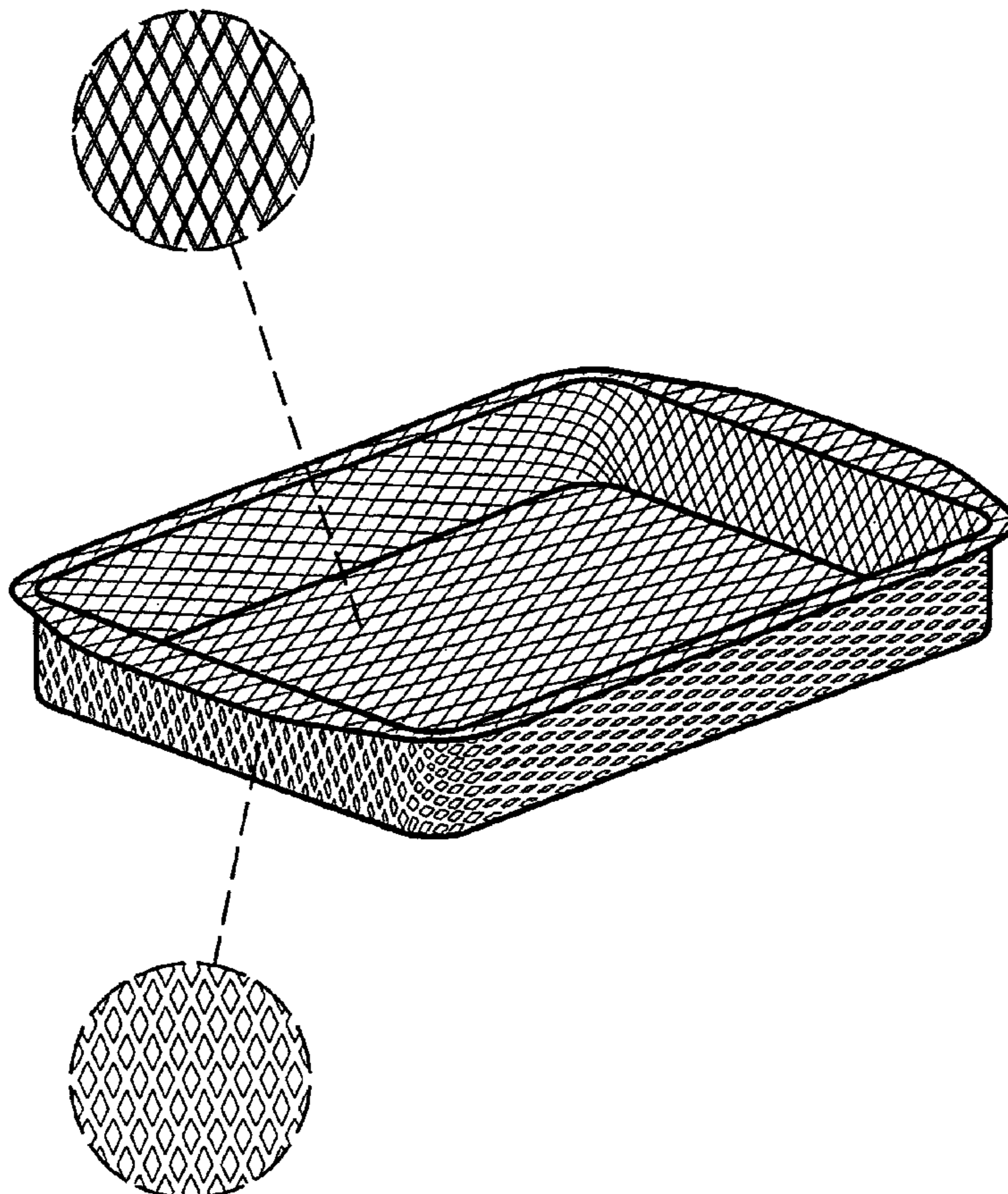
FIG. 4 is a top plan view of the rectangular utility baking pan of FIG. 1;

FIG. 5 is a side elevation view of the rectangular utility baking pan of FIG. 1;

FIG. 6 is an end elevation view of the rectangular utility baking pan of FIG. 1; and,

FIG. 7 is a bottom plan view of the rectangular utility baking pan of FIG. 1.

1 Claim, 3 Drawing Sheets



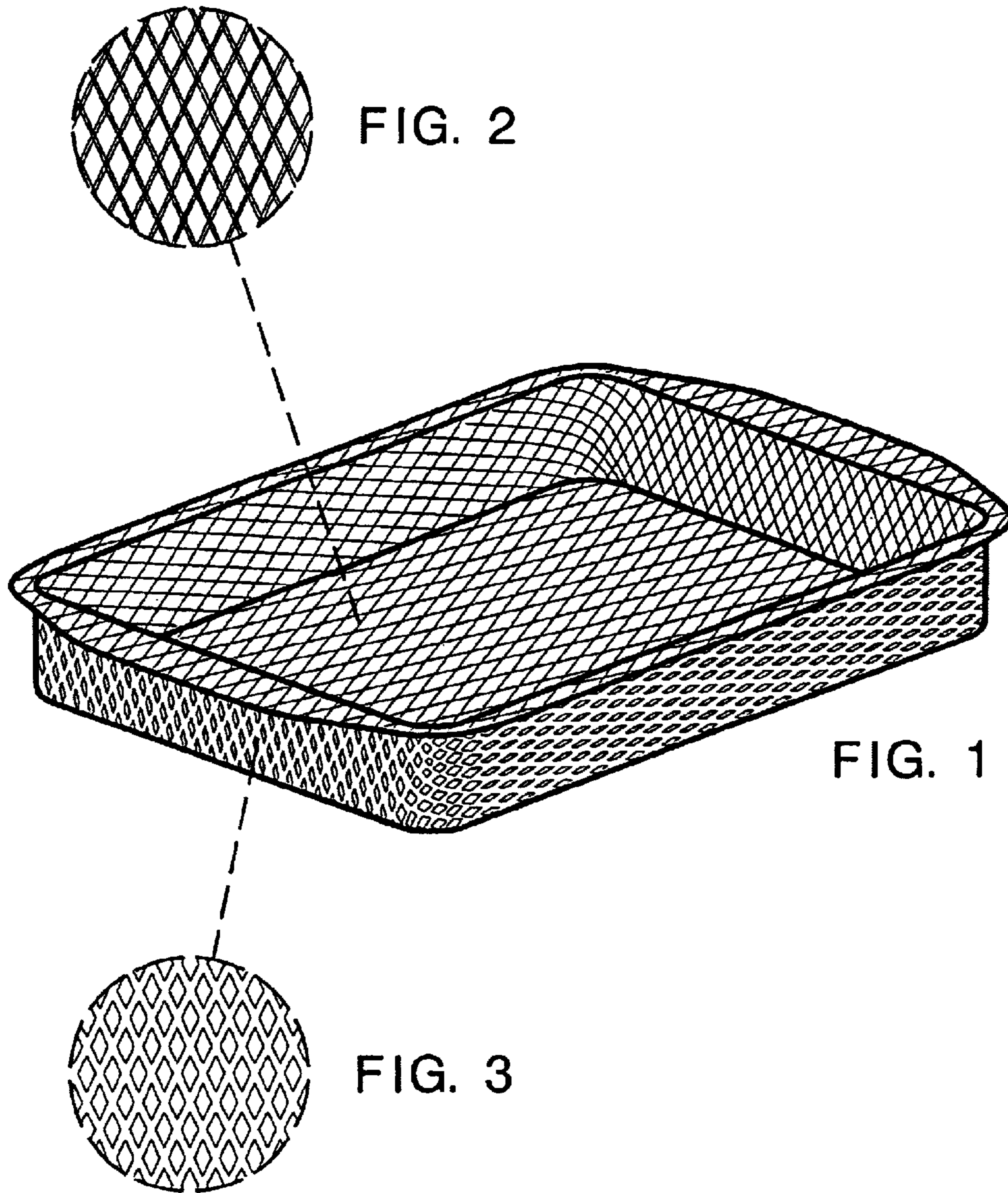


FIG. 2

FIG. 1

FIG. 3

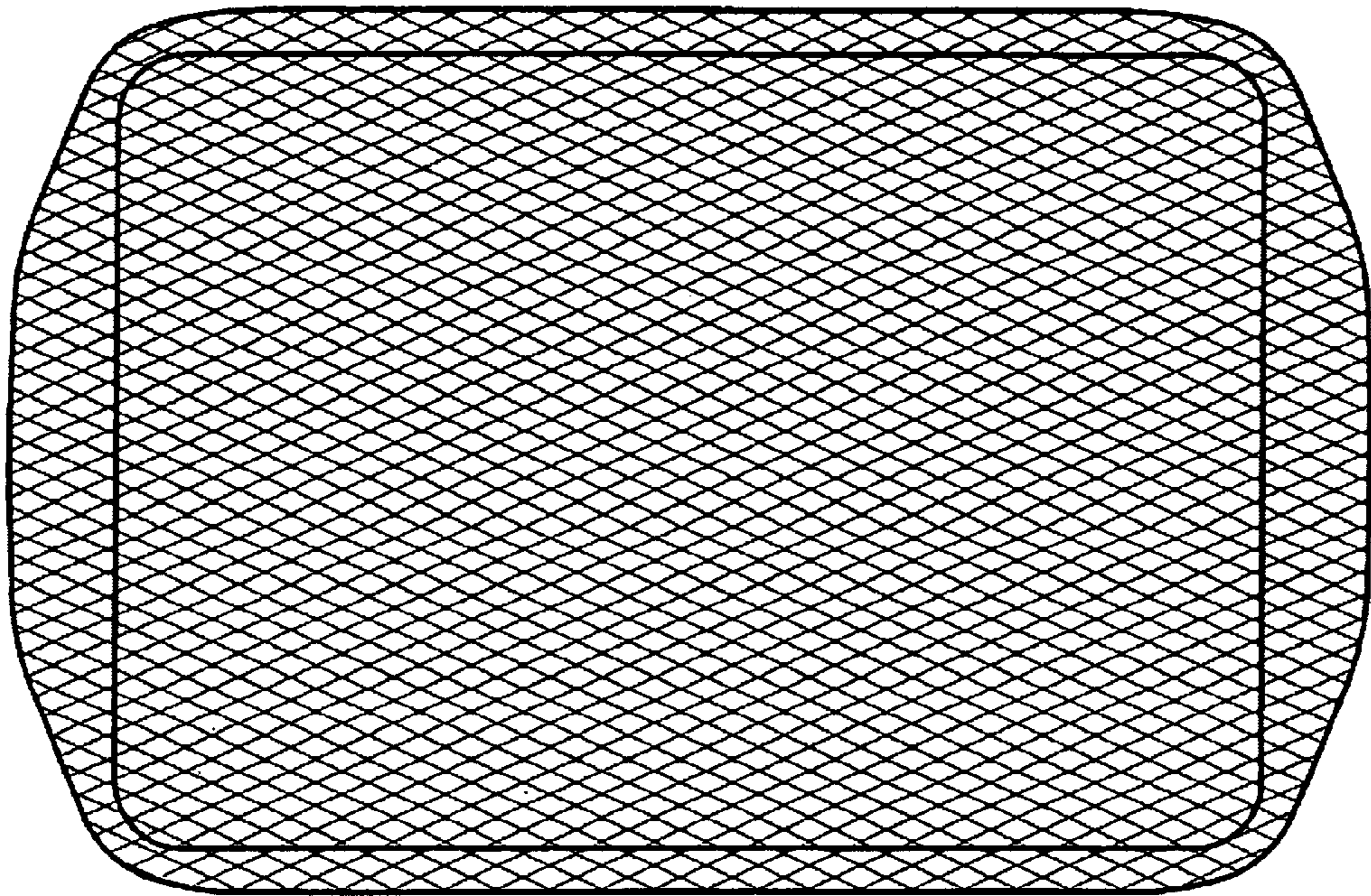


FIG. 4

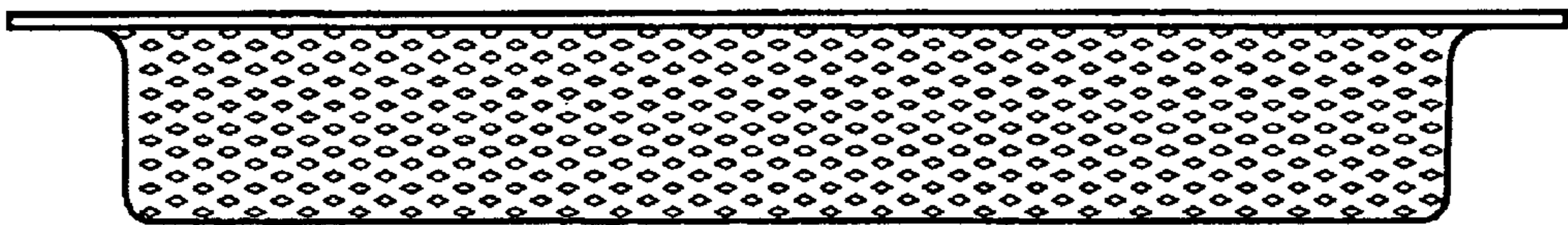


FIG. 5

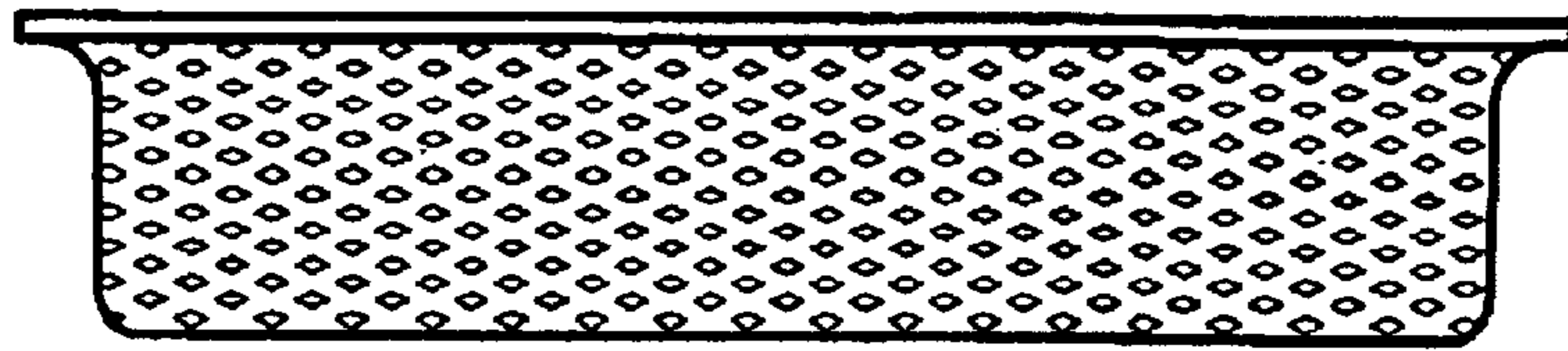


FIG. 6

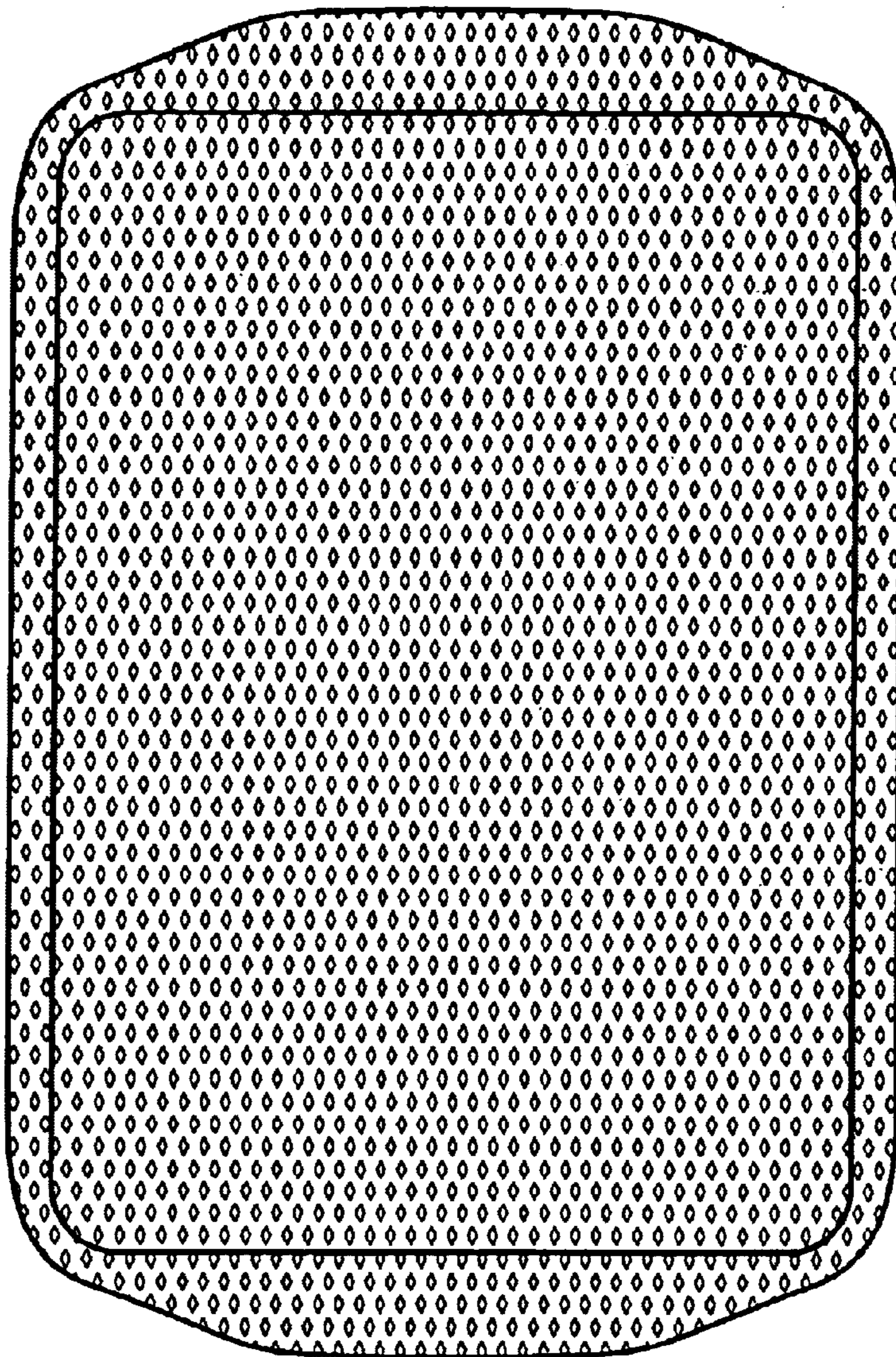


FIG. 7