



US00D489566S

(12) **United States Design Patent**
Moine

(10) **Patent No.:** **US D489,566 S**

(45) **Date of Patent:** **** May 11, 2004**

(54) **ELECTRIC SANDWICH TOASTER**

D462,229 S * 9/2002 Wu D7/352

(75) Inventor: **Olivier Moine**, Aix les Bains (FR)

* cited by examiner

(73) Assignee: **Tefal S.A.**, Rumilly (FR)

Primary Examiner—Caron D. Veynar

(**) Term: **14 Years**

(74) *Attorney, Agent, or Firm*—Young & Thompson

(21) Appl. No.: **29/175,646**

(57) **CLAIM**

(22) Filed: **Feb. 10, 2003**

The ornamental design for an electric sandwich toaster, as shown and described.

(30) **Foreign Application Priority Data**

DESCRIPTION

Aug. 9, 2002 (FR) 02 4893

(51) **LOC (7) Cl.** **07-02**

(52) **U.S. Cl.** **D7/352**

(58) **Field of Search** D7/323, 352-361,
D7/409, 410, 411; 99/372-379; 219/524,
525

FIG. 1 is a top, front and side perspective view of an electric sandwich toaster showing my new design;

FIG. 2 is a front elevational view thereof;

FIG. 3 is a side elevational view thereof from the left of FIG. 2, the side elevational view from the right of FIG. 2 being the mirror image thereof;

FIG. 4 is a rear elevational view thereof;

FIG. 5 is a top plan view thereof;

FIG. 6 is a bottom plan view thereof; and,

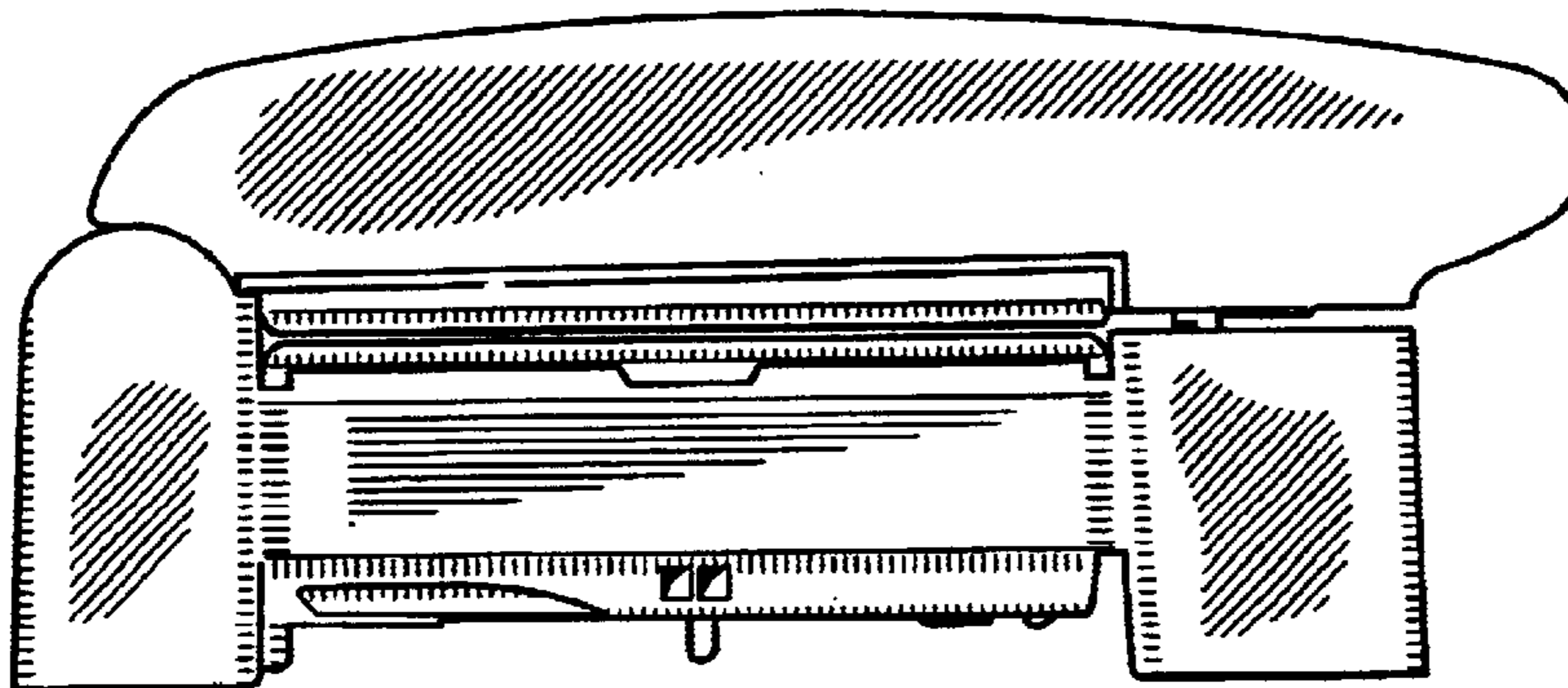
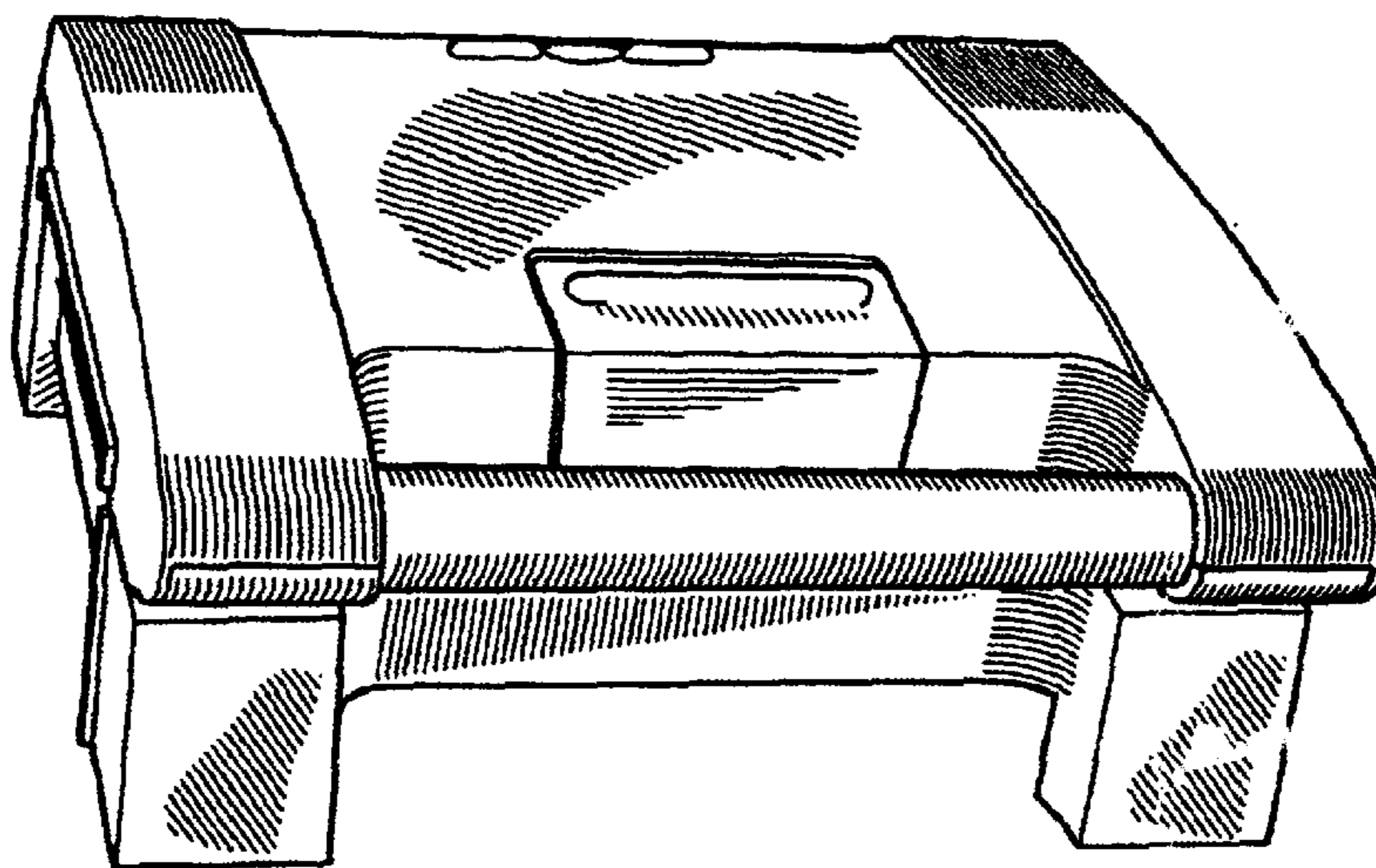
FIG. 7 is a perspective view with the cover open.

(56) **References Cited**

U.S. PATENT DOCUMENTS

D452,411 S * 12/2001 Gruaz D7/352

1 Claim, 7 Drawing Sheets



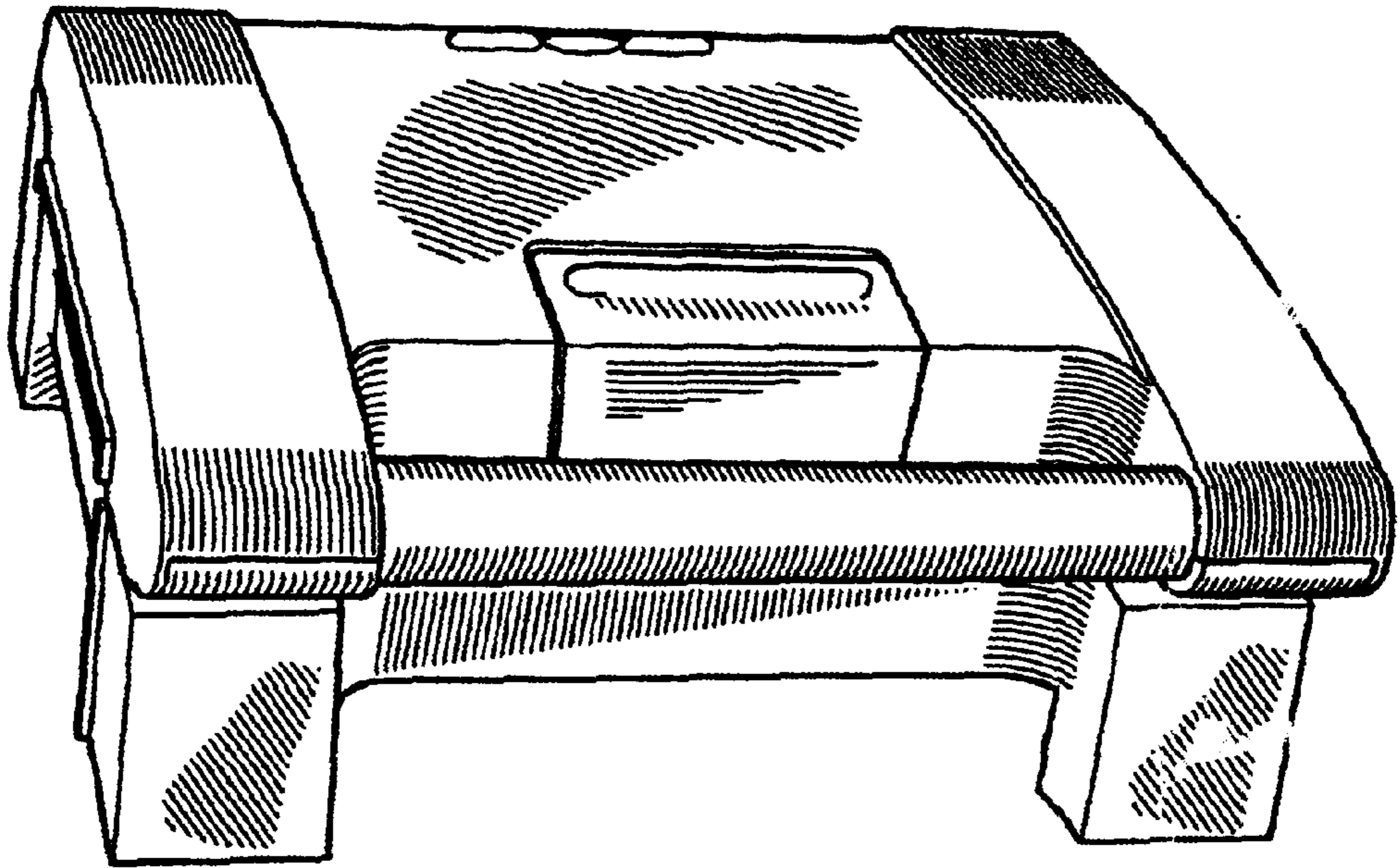


Fig. 1

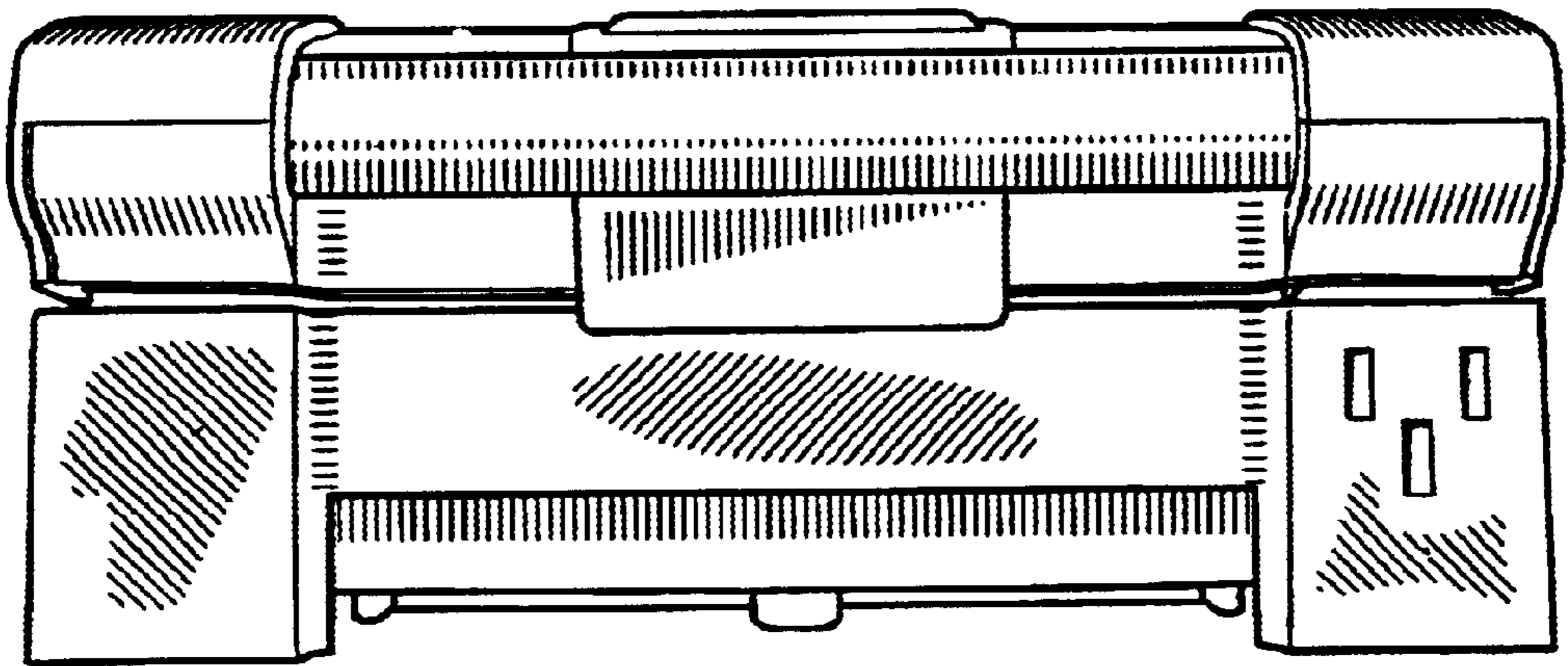


Fig. 2

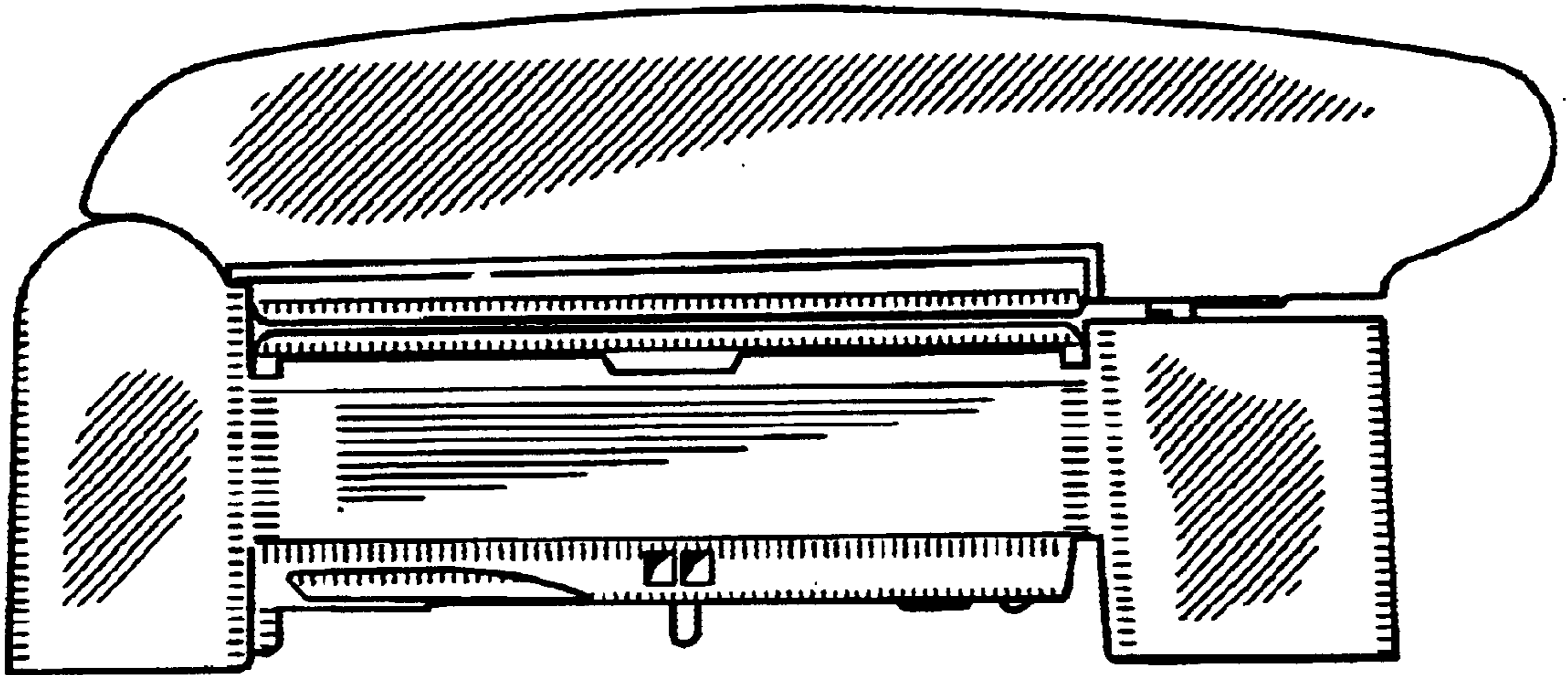


Fig. 3

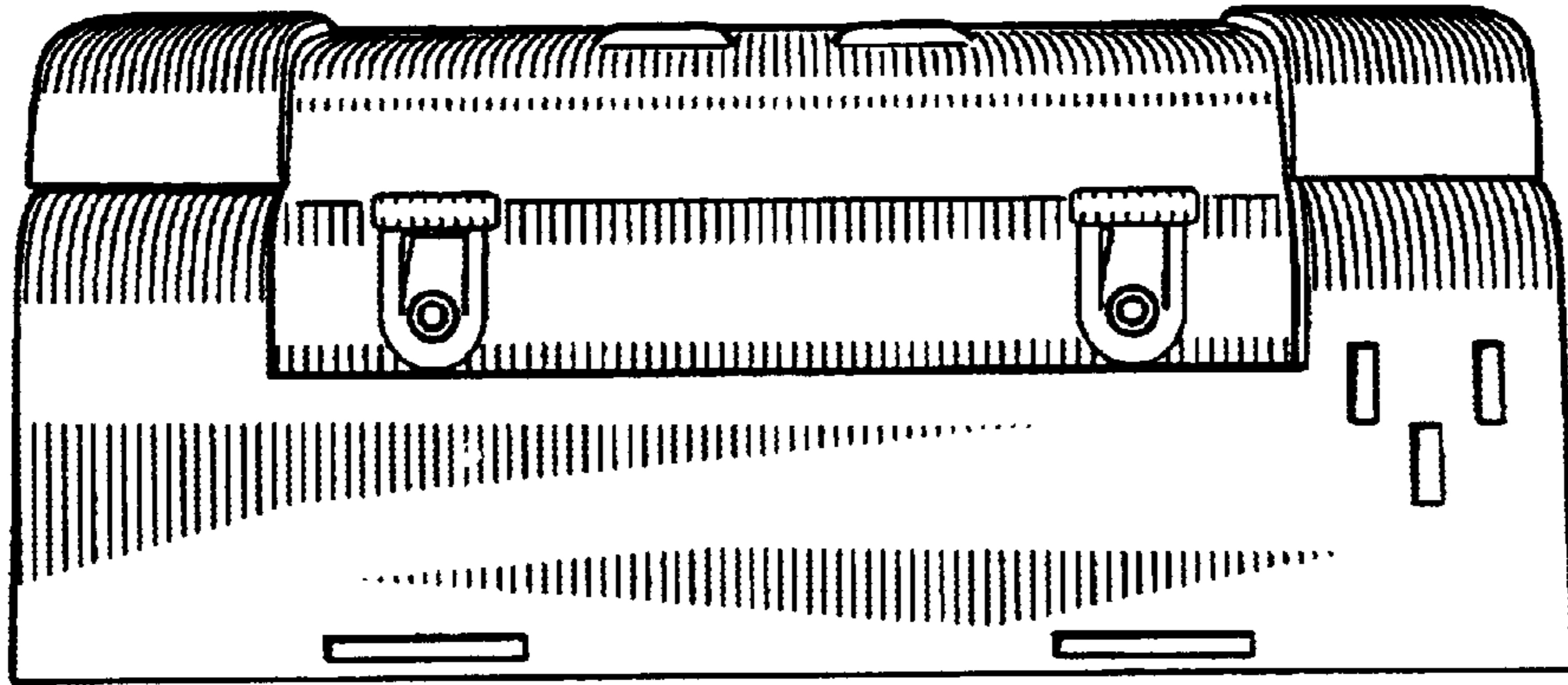


Fig. 4

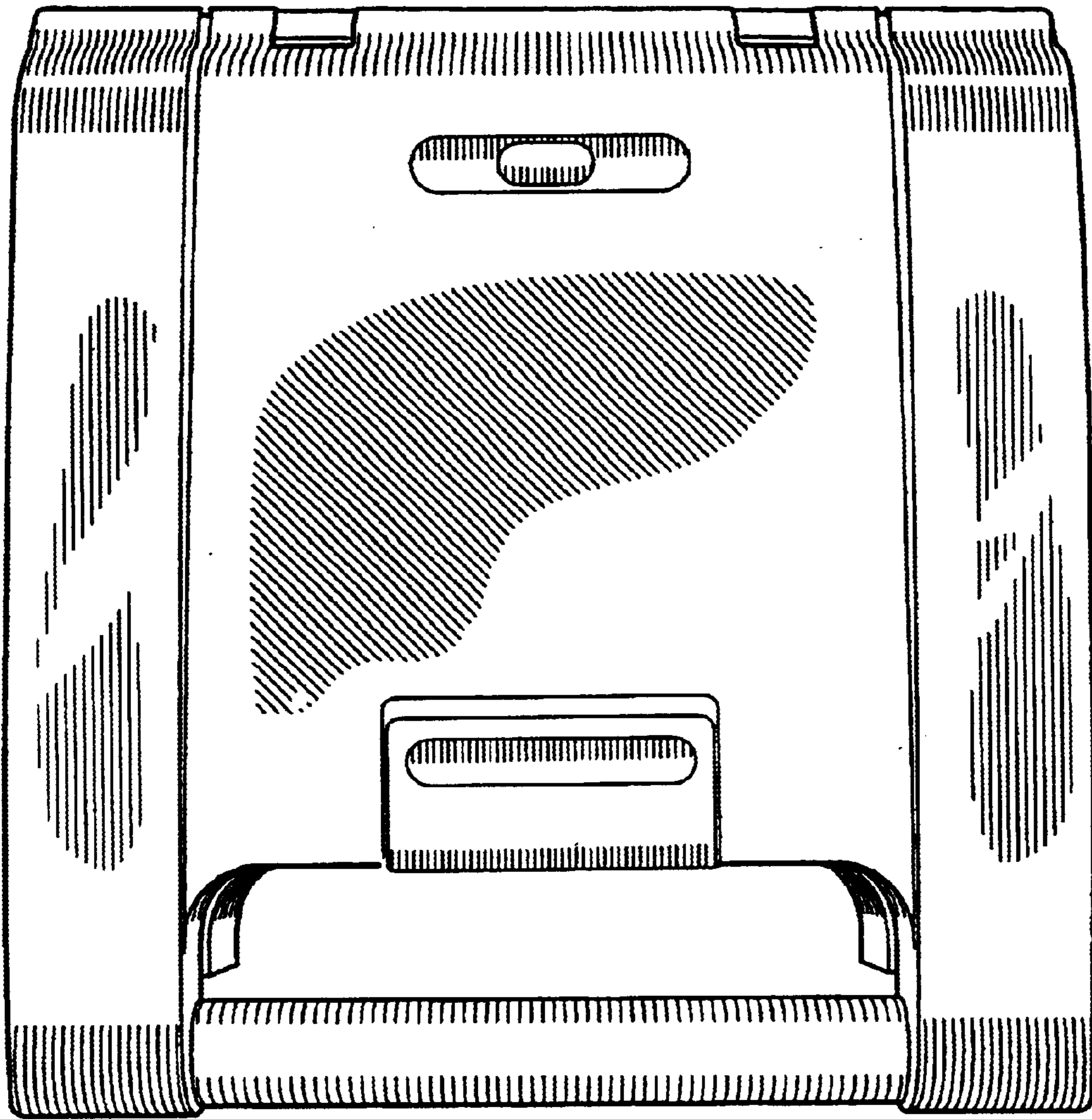


Fig. 5

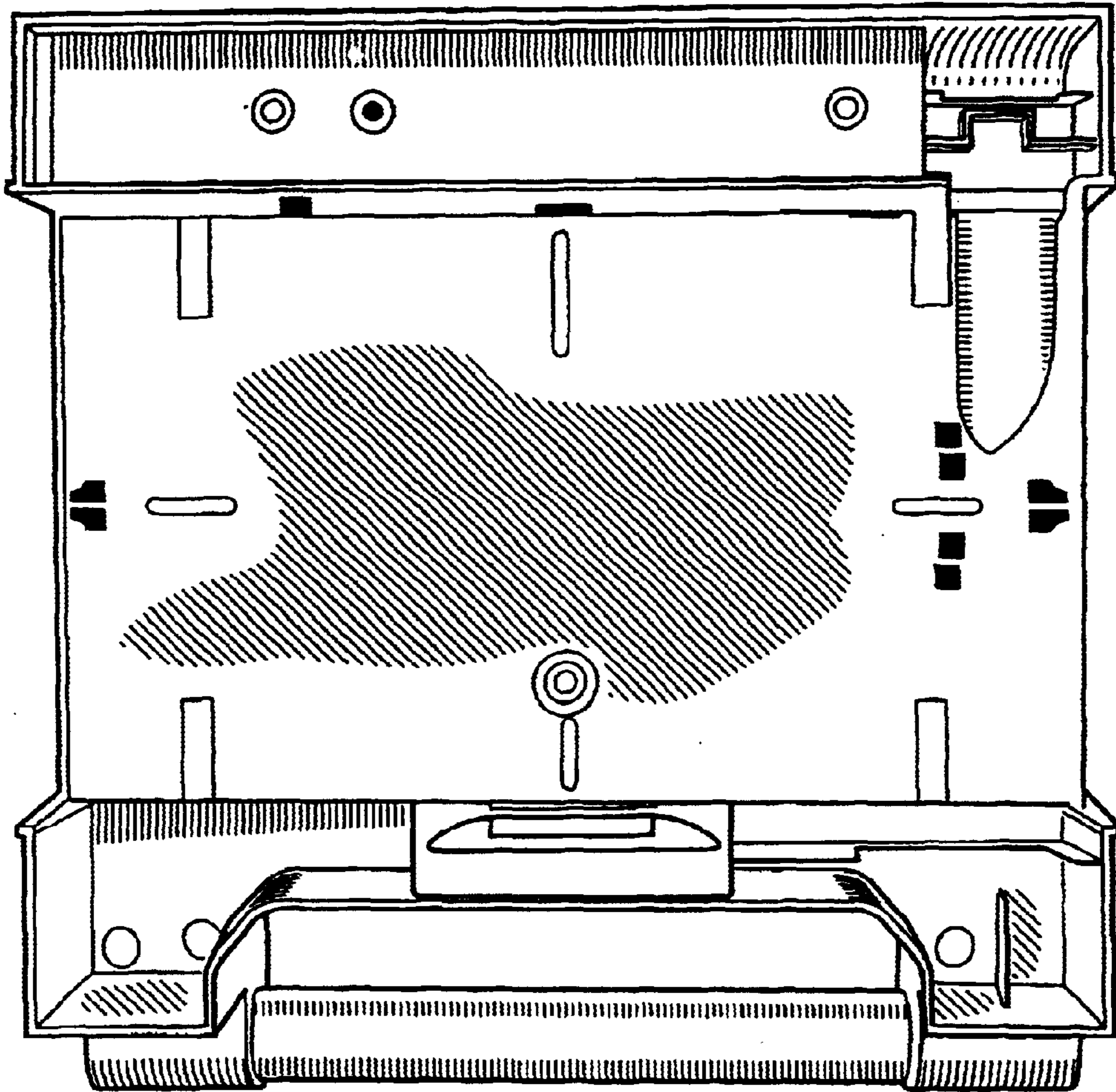


Fig. 6

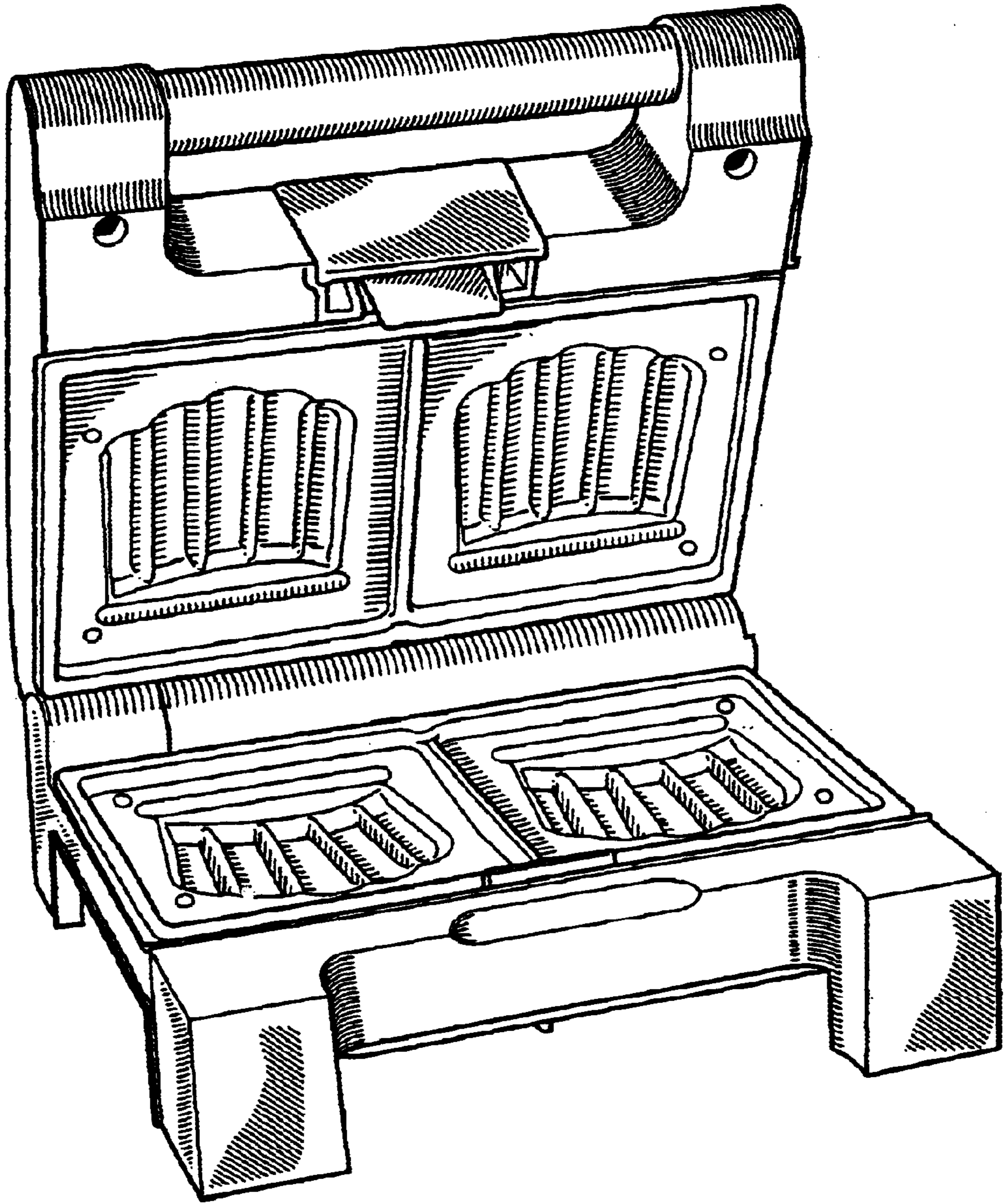


Fig. 7