



US00D489564S

(12) **United States Design Patent**
Enriquez et al.

(10) **Patent No.:** **US D489,564 S**

(45) **Date of Patent:** **** May 11, 2004**

(54) **TOASTER**

(75) Inventors: **Nheeda C. Enriquez**, Jersey City, NJ (US); **Devin Lee Moore**, Decatur, GA (US); **Matthew L. Rivera**, Mableton, GA (US); **Jeffrey F. Miller**, New York, NY (US)

(73) Assignee: **Conair Corporation**, Stamford, CT (US)

(**) Term: **14 Years**

(21) Appl. No.: **29/180,050**

(22) Filed: **Apr. 18, 2003**

(51) **LOC (7) Cl.** **07-02**

(52) **U.S. Cl.** **D7/330**

(58) **Field of Search** D7/328-330; 99/331, 99/339, 341, 385, 389

(56) **References Cited**

U.S. PATENT DOCUMENTS

D125,684 S	*	3/1941	Edelman	D7/330
D193,599 S		9/1962	Fano	D7/330
D345,074 S		3/1994	Myers et al.	D7/330
D394,983 S		6/1998	Garrett et al.	D7/330
D413,224 S		8/1999	Cruz et al.	D7/330
D416,753 S		11/1999	Brady	D7/390

D418,003 S	12/1999	Alonge et al.	D7/330
D422,832 S	4/2000	Gaynor et al.	D7/330
6,205,910 B1	3/2001	Vaughn	99/326
D453,281 S	2/2002	Plumtre et al.	D7/330
D459,140 S	6/2002	Bellerose et al.	D7/328
D473,093 S	* 4/2003	To	D7/330

* cited by examiner

Primary Examiner—Caron D. Veynar

(74) *Attorney, Agent, or Firm*—Ohlandt, Greeley, Ruggiero & Perle, LLP

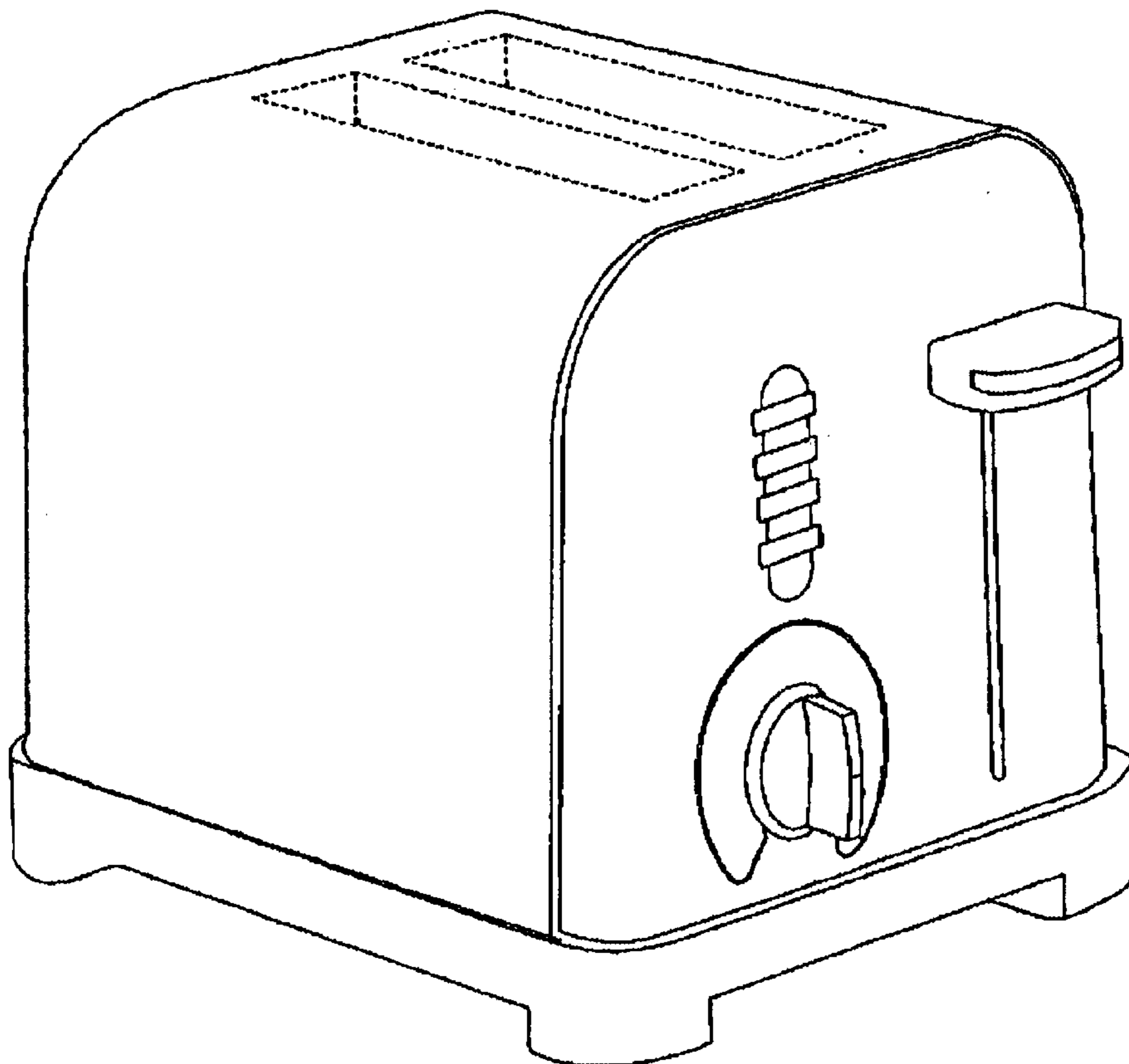
(57) **CLAIM**

The ornamental design for a toaster, as shown and described.

DESCRIPTION

FIG. 1 is a perspective view of a toaster according to the present invention;
 FIG. 2 is a front view of the toaster of FIG. 1;
 FIG. 3 is a rear view of the toaster of FIG. 1;
 FIG. 4 is a first side view of the toaster of FIG. 1;
 FIG. 5 is a second side view, opposite the first side view, of the toaster of FIG. 1; and,
 FIG. 6 is a top view of the toaster of FIG. 1.
 The broken lines showing slots on FIGS. 1 and 6 are for illustrative purposes only and form no part of the claimed design.

1 Claim, 6 Drawing Sheets



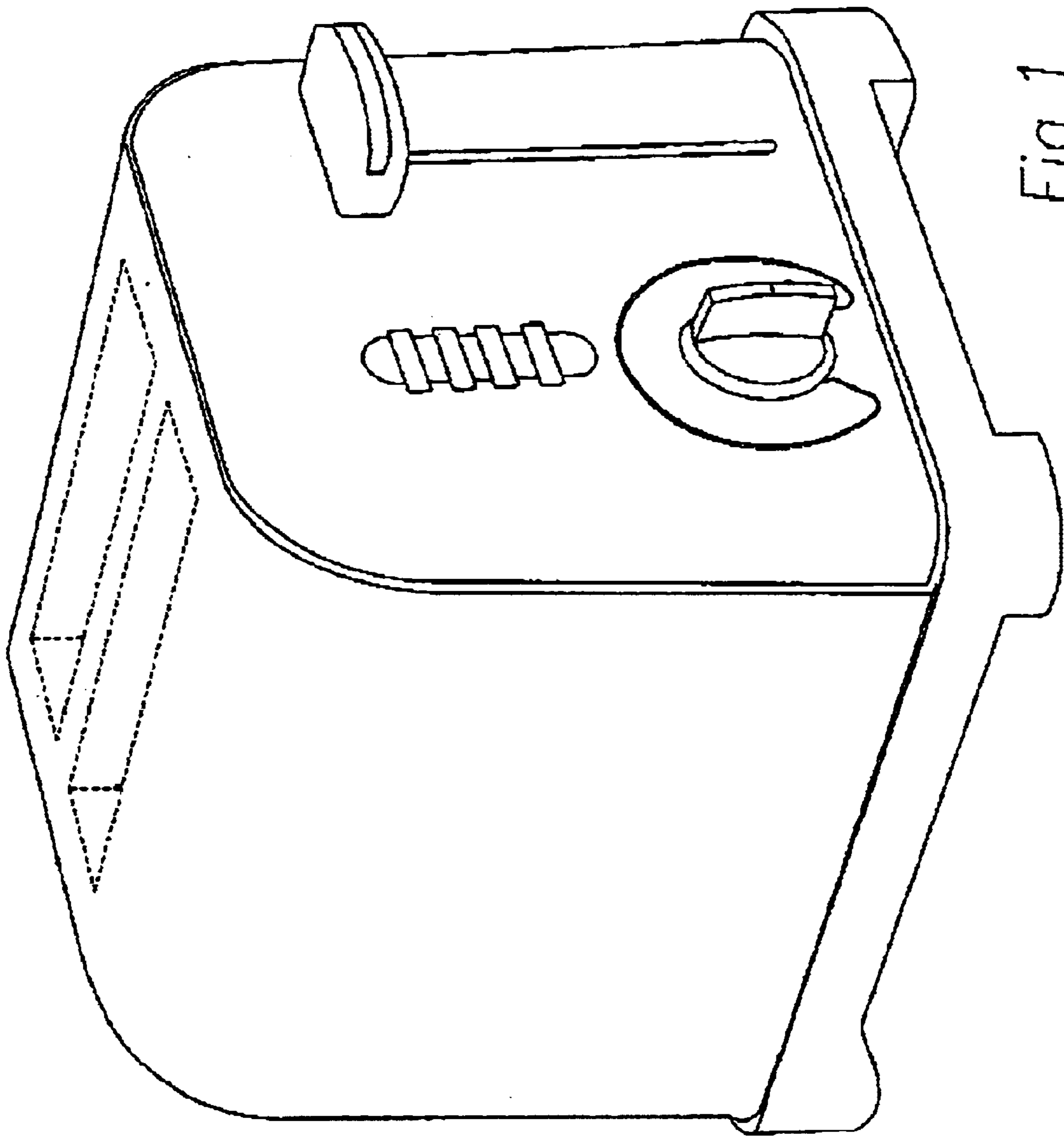


Fig. 1

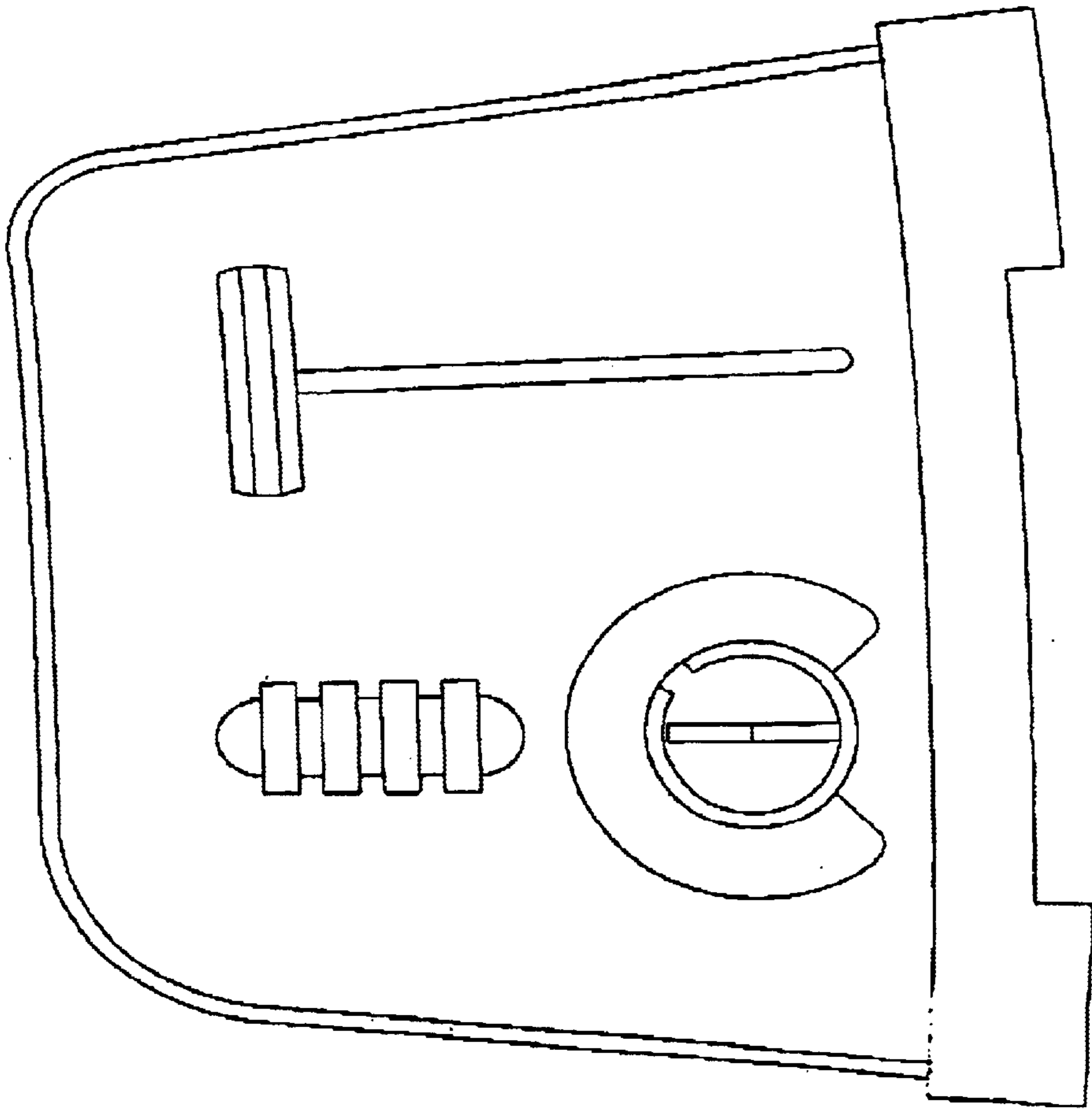


Fig. 2

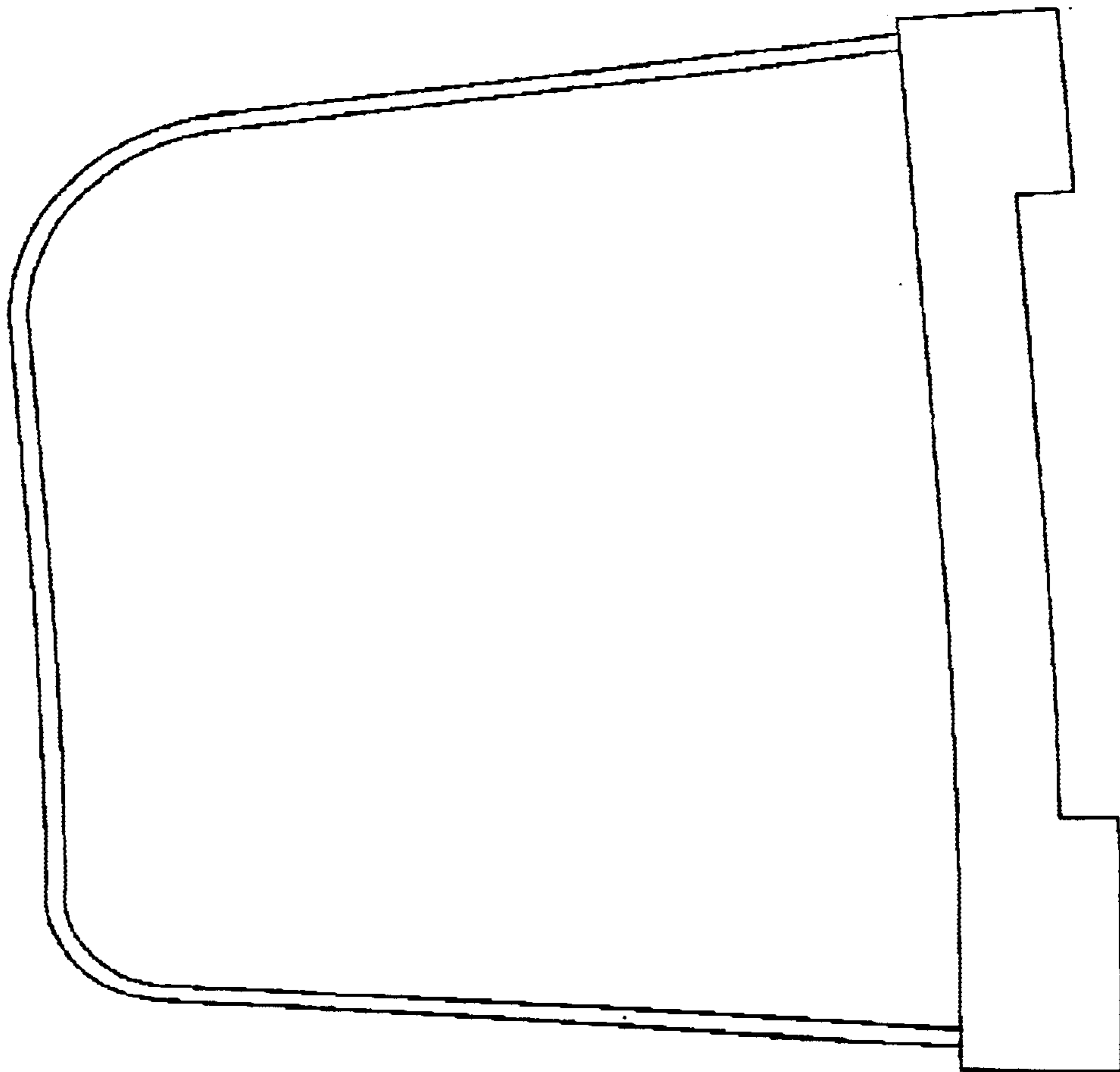


Fig. 3

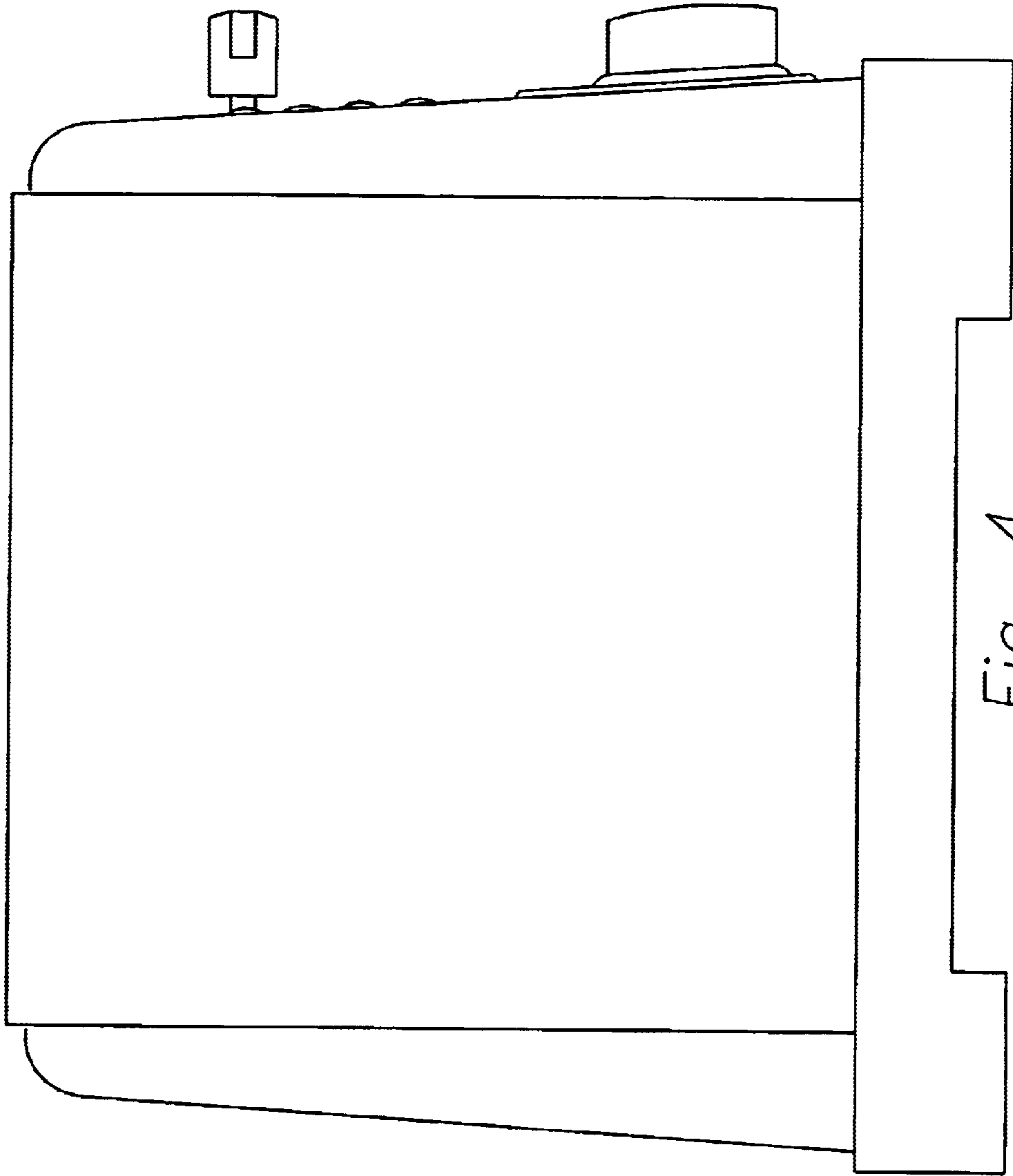


Fig. 4

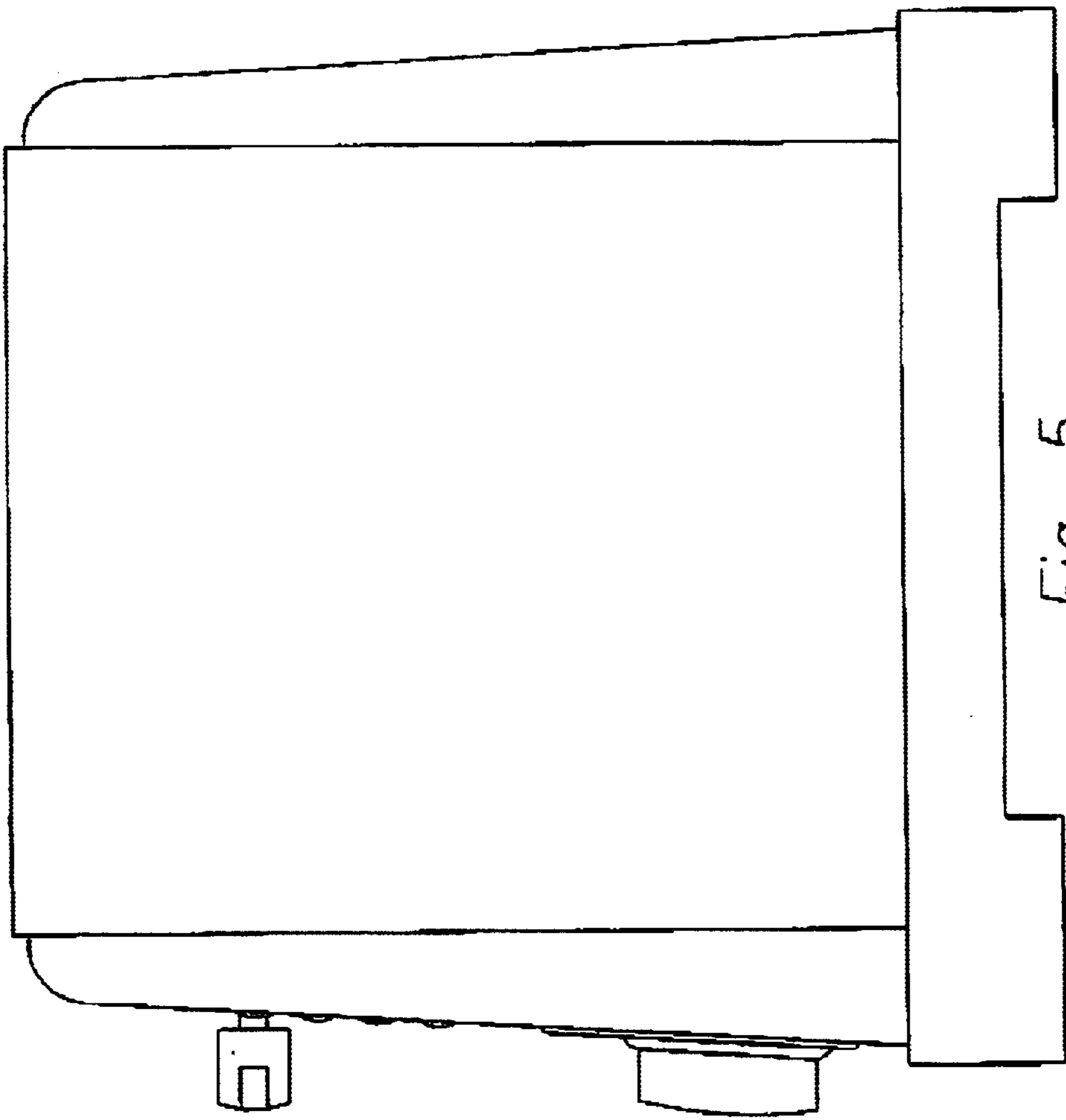


Fig. 5

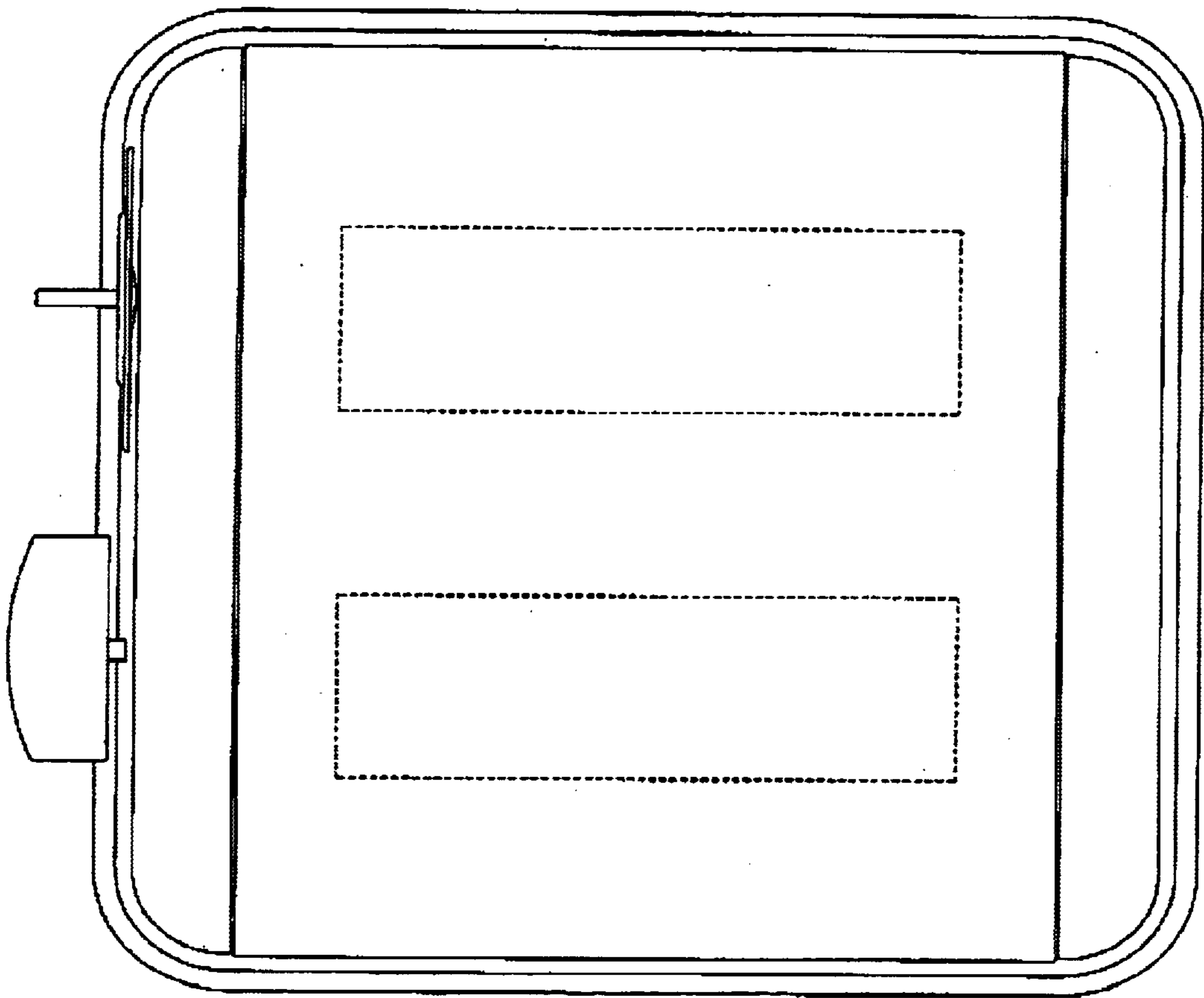


Fig. 6