



US00D489562S

(12) **United States Design Patent**
Kwok

(10) **Patent No.:** **US D489,562 S**

(45) **Date of Patent:** **** May 11, 2004**

(54) **STORAGE RACK FOR COMPACT DISCS,
CASSETTES, AND THE LIKE**

D237,567 S * 11/1975 Korn D6/477
D365,720 S * 1/1996 Balschunat D6/629

(75) **Inventor:** **Tat Cheong Kwok, Hong Kong (HK)**

* cited by examiner

(73) **Assignee:** **Kwok's Brother Manufacturing
Limited, Chaiwan (HK)**

Primary Examiner—Cathron C. Brooks
(74) *Attorney, Agent, or Firm*—Raymond Van Dyke; Nixon
Peabody, LLP

(**) **Term:** **14 Years**

(21) **Appl. No.:** **29/181,059**

(22) **Filed:** **May 5, 2003**

(30) **Foreign Application Priority Data**

Nov. 6, 2002 (HK) 0211816

(51) **LOC (7) Cl.** **06-04**

(52) **U.S. Cl.** **D6/629**

(58) **Field of Search** D6/407, 628-630,
D6/418, 462-465, 467, 468, 475, 477-479,
511; 108/59, 91, 93, 147.11; 206/307, 307.1,
308.1; 211/40, 41.2, 41.1, 41.12, 76, 126.19,
133.2, 133.5, 153, 181.1, 180; 312/9.1,
9.9, 9.47, 9.48, 9.51-9.54, 9.64, 213

(56) **References Cited**

U.S. PATENT DOCUMENTS

D166,377 S * 4/1952 Curtis D6/477

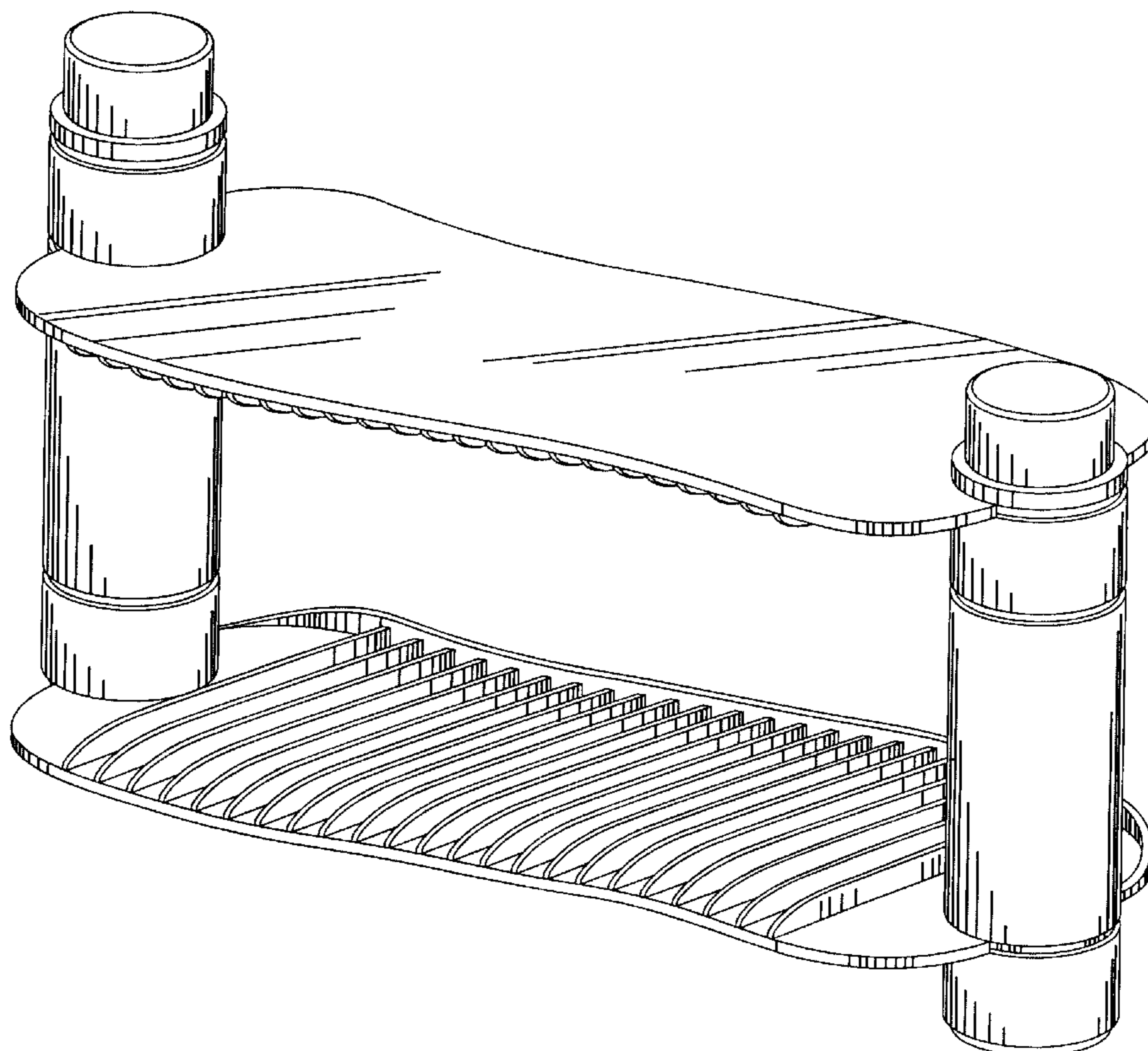
(57) **CLAIM**

The ornamental design for a storage rack for compact discs,
cassettes, and the like, as shown and described.

DESCRIPTION

FIG. 1 is a perspective view of the front right side of the
storage rack showing my new ornamental design;
FIG. 2 is a perspective of the rear left side view thereof;
FIG. 3 is a front elevational view thereof;
FIG. 4 is a rear elevational view thereof;
FIG. 5 is a top plan view thereof;
FIG. 6 is a bottom plan view thereof;
FIG. 7 is a left side elevational view thereof; and,
FIG. 8 is a right side elevational view thereof.
The broken lines shown are for illustrative purposes only
and form no part of the claimed design.

1 Claim, 8 Drawing Sheets



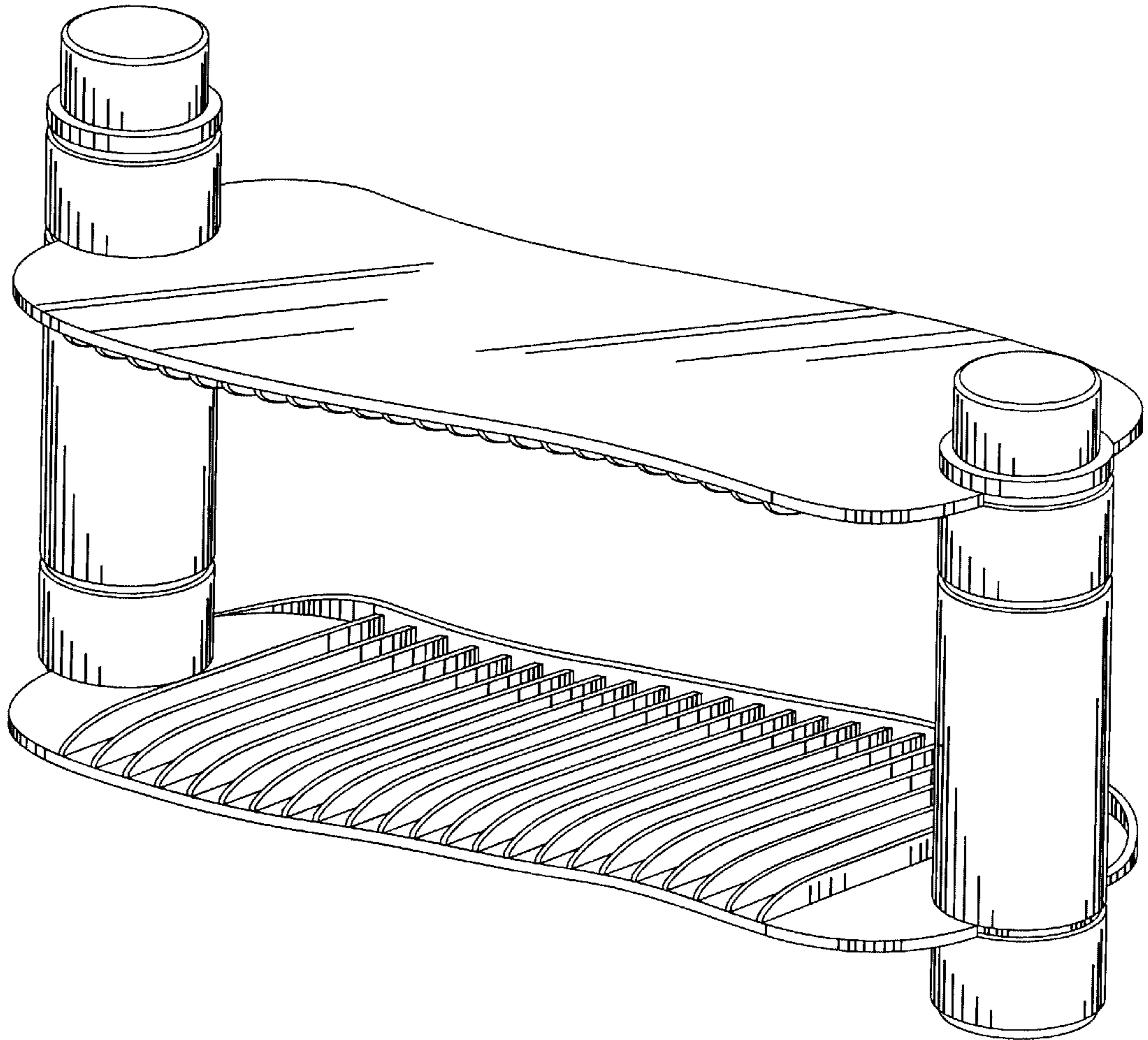


FIG. 1

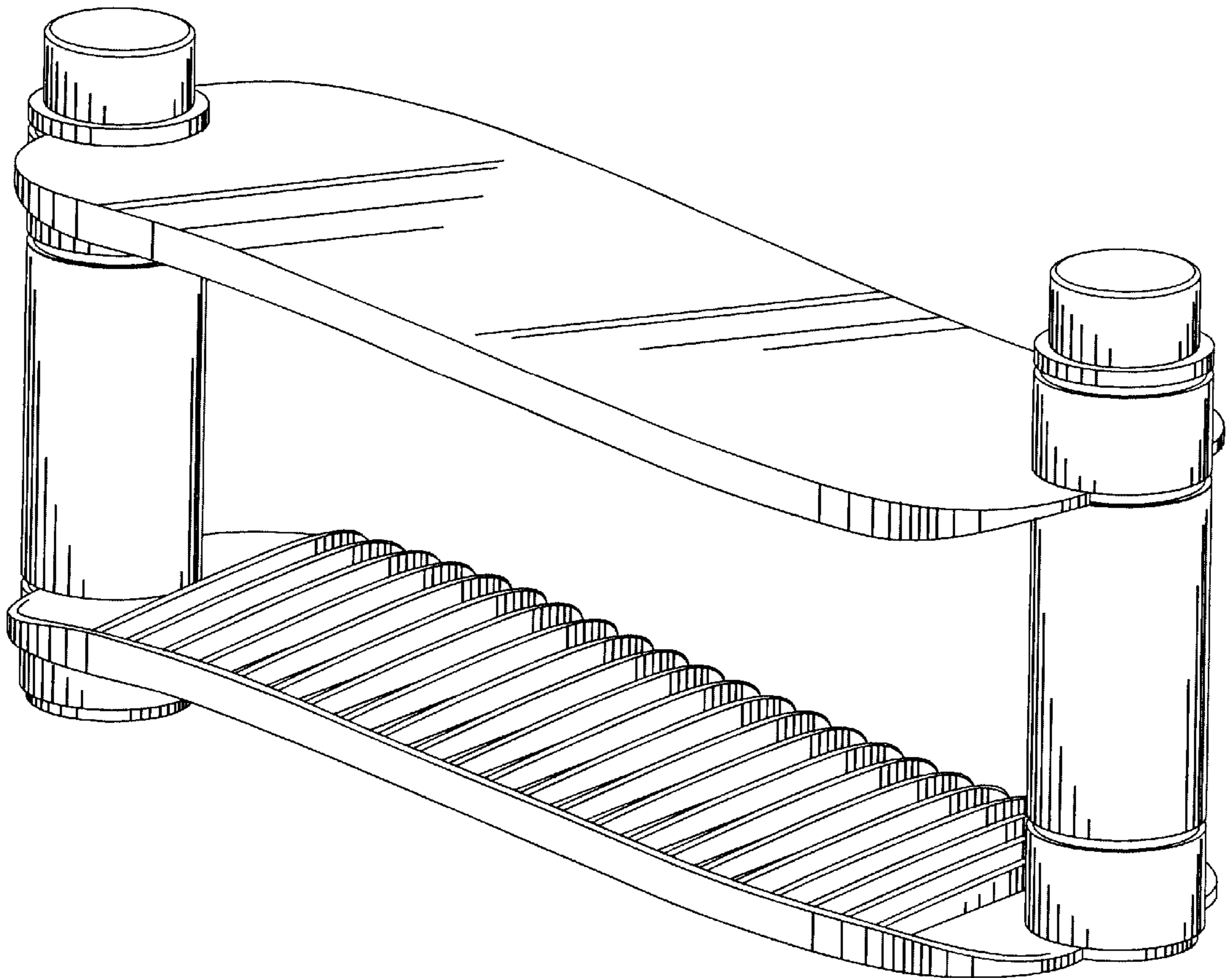


FIG. 2

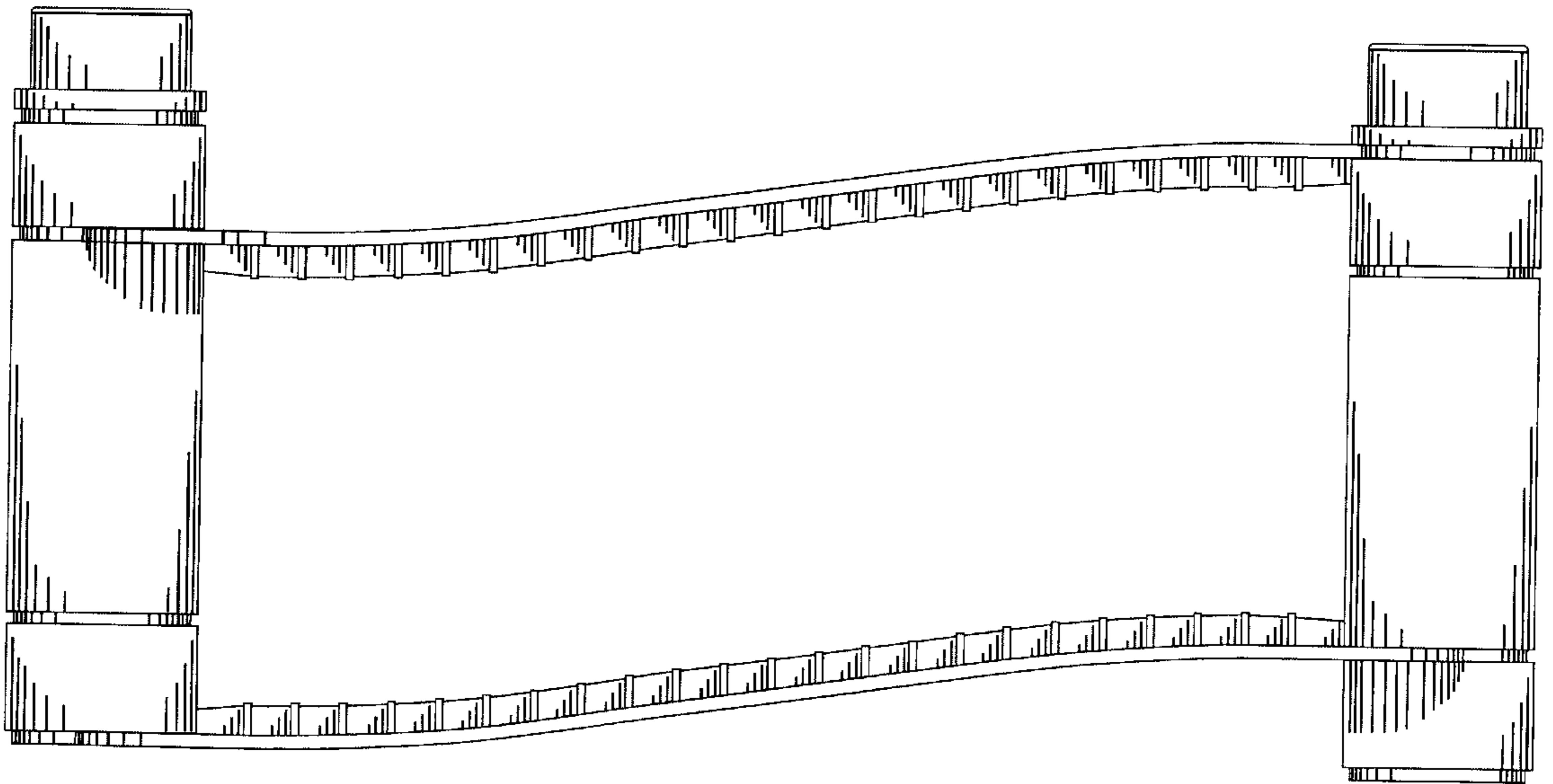


FIG. 3

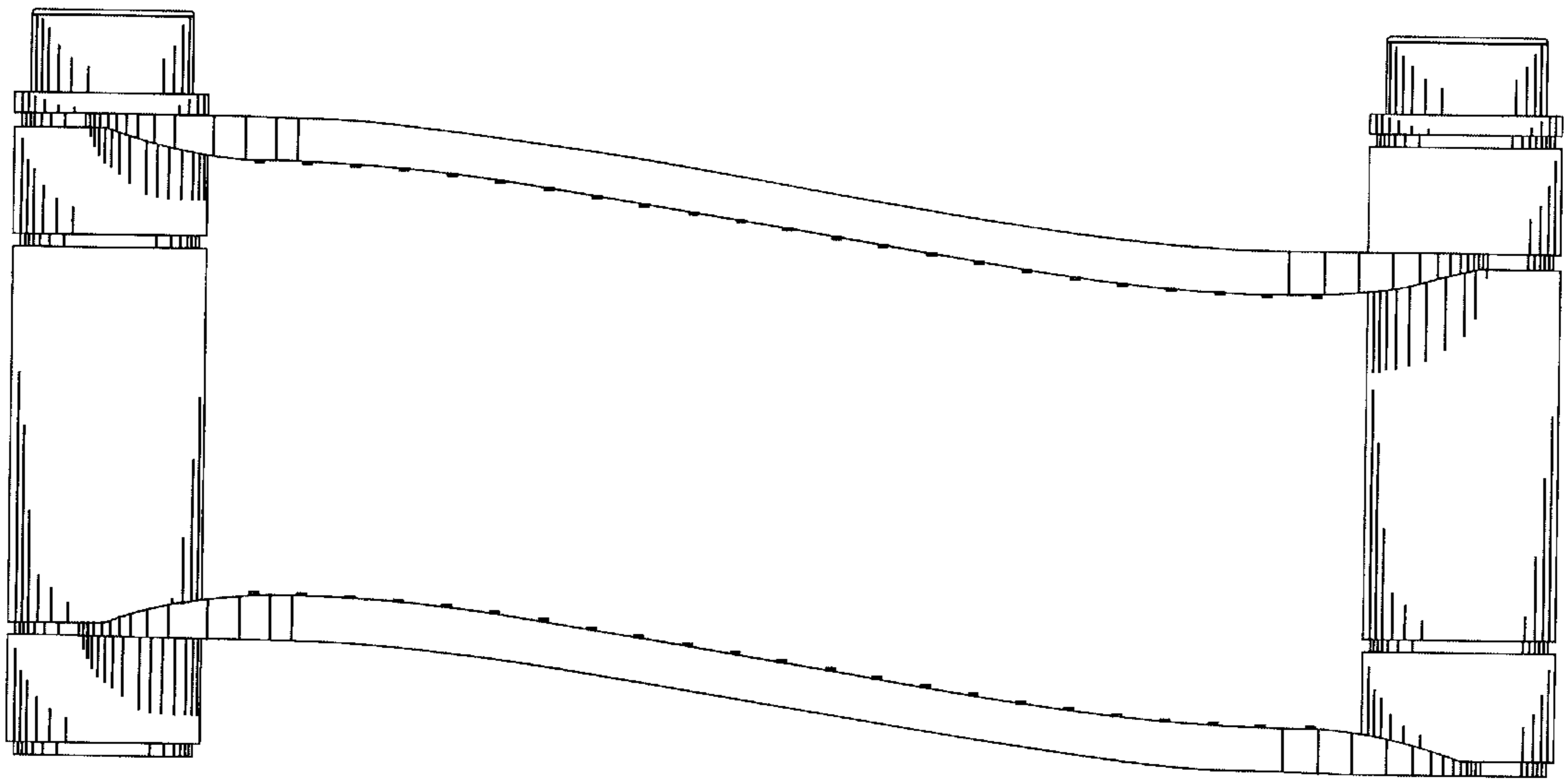


FIG. 4

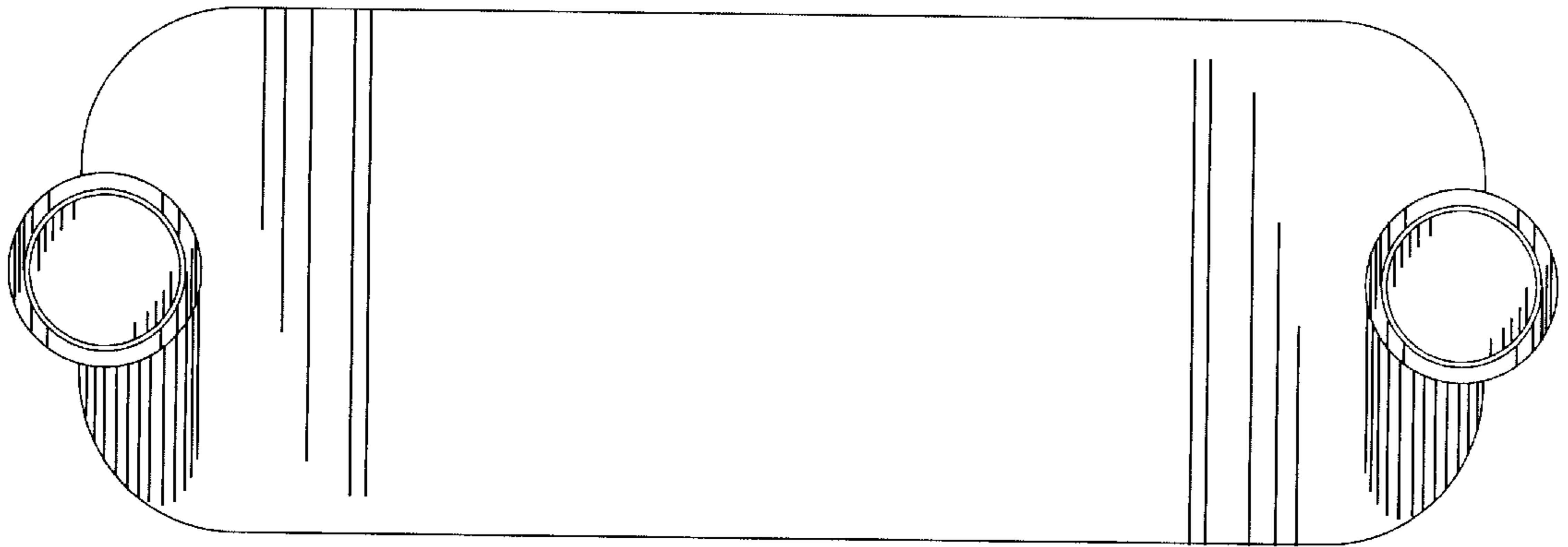


FIG. 5

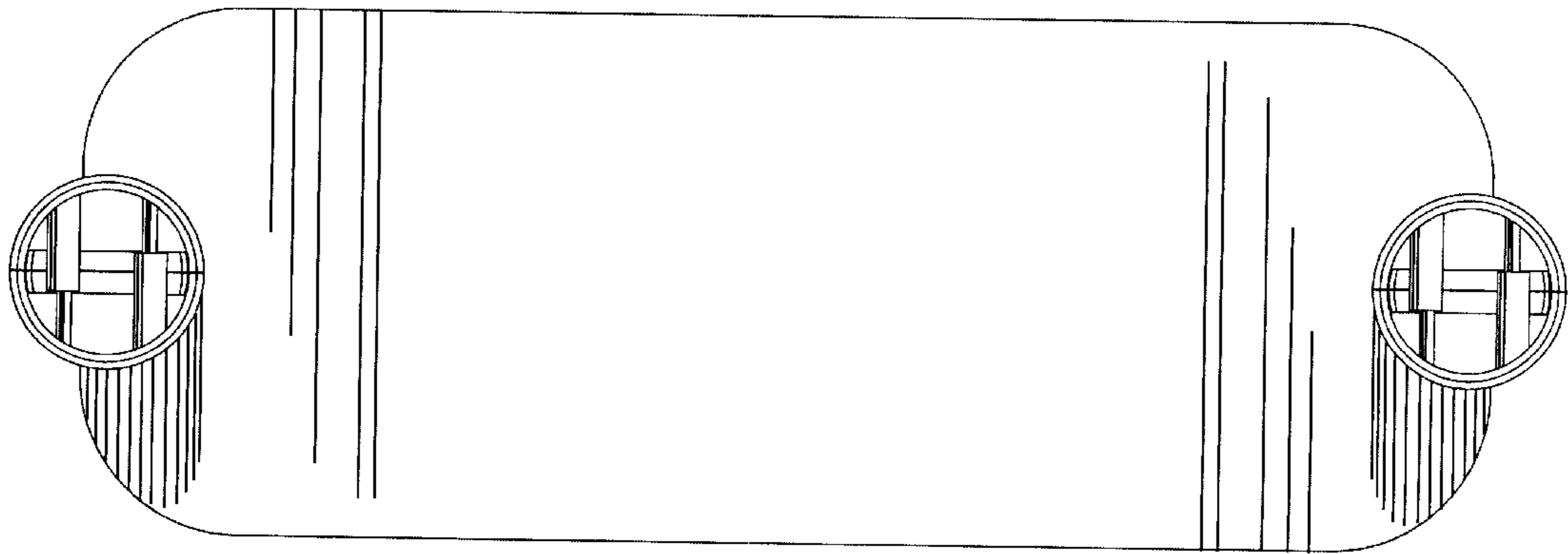


FIG. 6

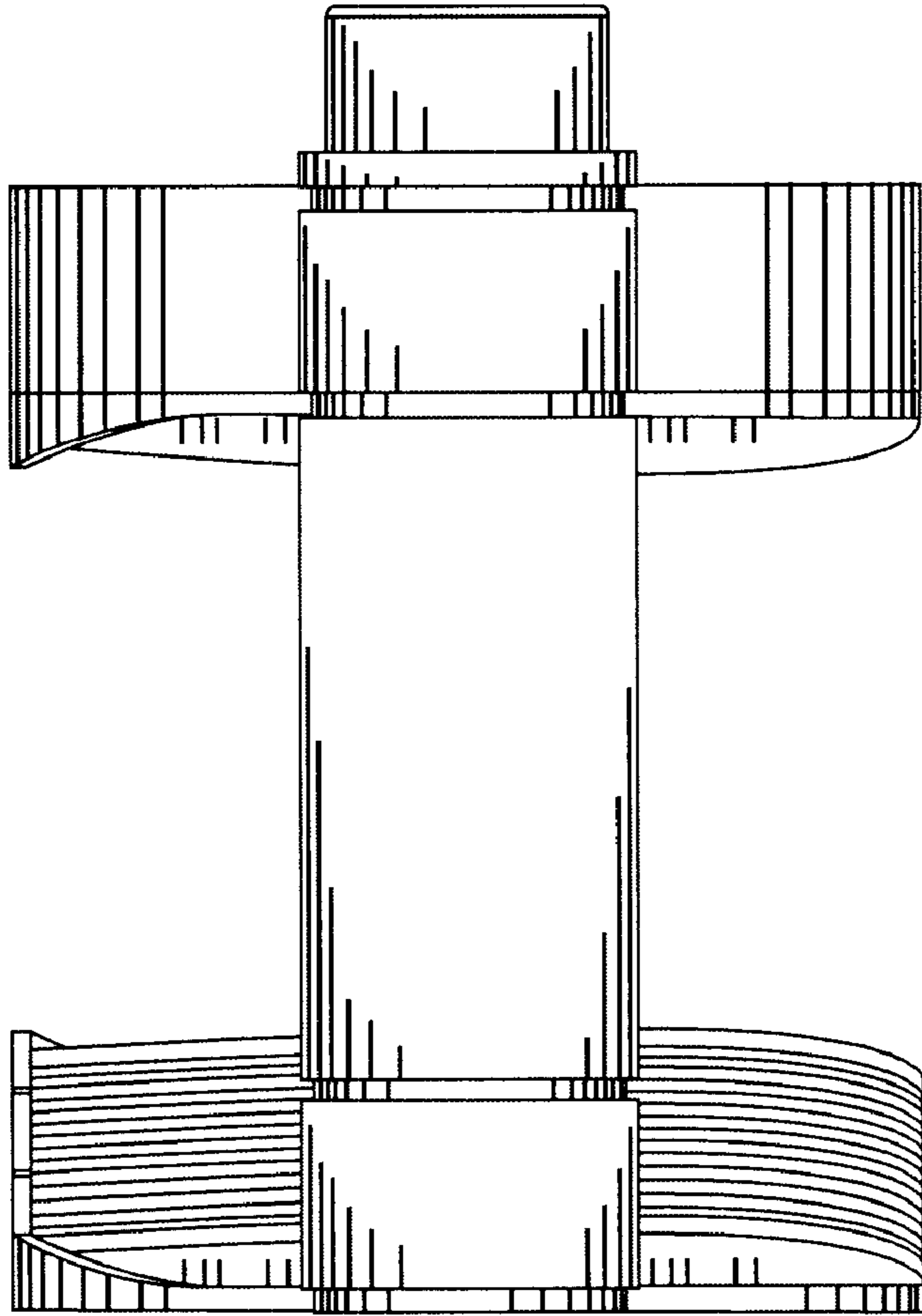


FIG. 7

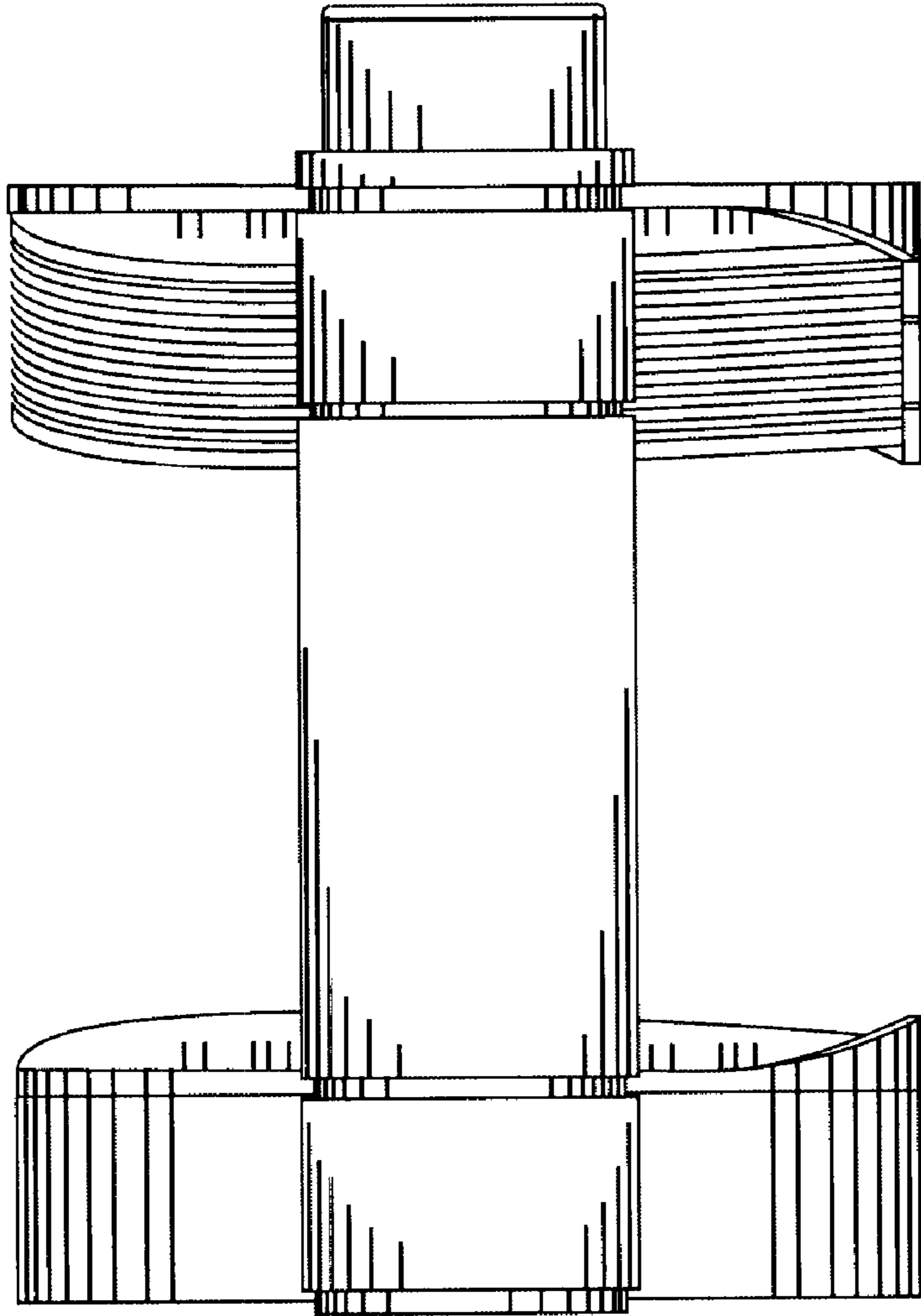


FIG. 8