



US00D489558S

(12) **United States Design Patent**  
**Snell**

(10) **Patent No.:** **US D489,558 S**

(45) **Date of Patent:** **\*\* May 11, 2004**

(54) **ROLL RESERVE STAND**

OTHER PUBLICATIONS

(75) Inventor: **Russell Benton Snell**, Bentleyville, OH (US)

*Decorative hardware*, selected sheets from a 1999 InterDesign, Inc. product brochure w/front and back covers.

(73) Assignee: **InterDesign, Inc.**, Solon, OH (US)

*Housewares*, 1998 InterDesign, Inc. product brochure, p. 6 w/front and back covers.

(\*\*) Term: **14 Years**

\* cited by examiner

(21) Appl. No.: **29/175,622**

*Primary Examiner*—Brian N. Vinson

(22) Filed: **Feb. 6, 2003**

(74) *Attorney, Agent, or Firm*—D. Peter Hochberg; Sean Mellino; Katherine R. Vieyra

(51) **LOC (7) Cl.** ..... **20-02**

(57) **CLAIM**

(52) **U.S. Cl.** ..... **D6/521**

The ornamental design for a roll reserve stand, as shown and described.

(58) **Field of Search** ..... D6/546–50, 518, D6/522–24; D8/300, 307–308, 315–21; 108/28–29; 211/13.1, 16, 60.1, 86.01, 87.01, 88.04, 100, 105.1–105.2, 123, 181.1, 182; 242/570, 590, 595, 597–98; 248/175, 176.1, 251, 302; 16/110.1, 412, 415

**DESCRIPTION**

(56) **References Cited**

FIG. 1 is a perspective view of a roll reserve stand embodying this invention;

FIG. 2 is a side elevation view of the roll reserve stand shown in FIG. 1;

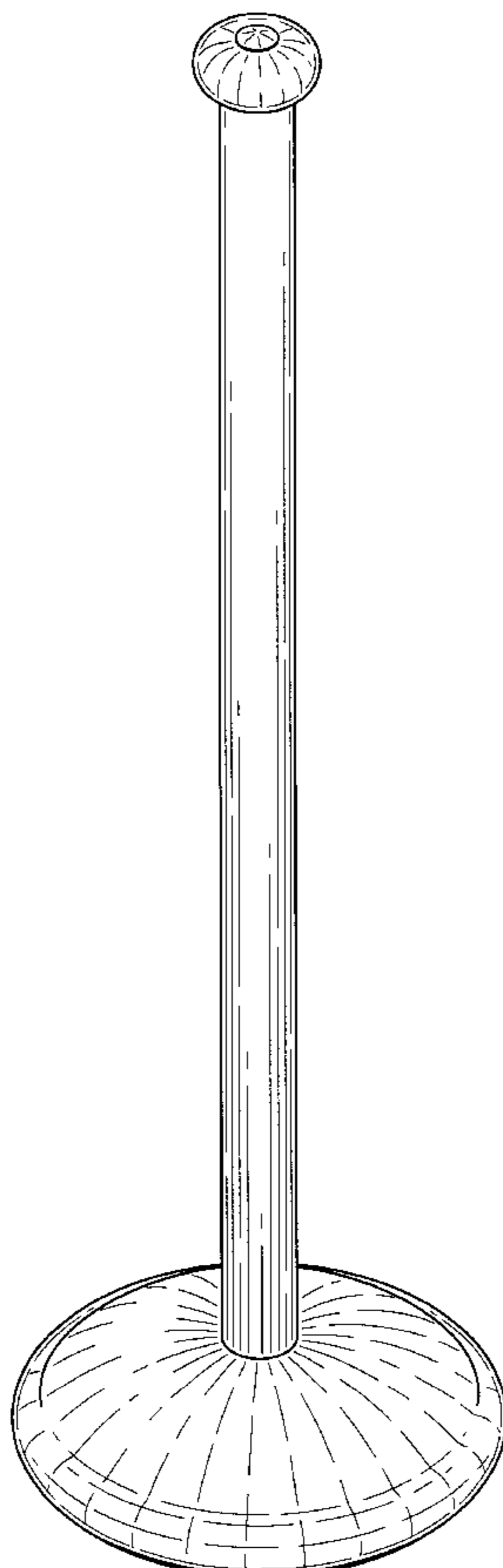
FIG. 3 is a top view of the roll reserve stand shown in FIG. 1; and,

FIG. 4 is a bottom view of the roll reserve stand shown in FIG. 1.

**U.S. PATENT DOCUMENTS**

D283,095 S	*	3/1986	Compton	.....	D6/521
D298,597 S	*	11/1988	Bell	.....	D6/521
D432,828 S		10/2000	Snell		
D459,929 S		7/2002	Snell		
D474,360 S	*	5/2003	Yip	.....	D6/521

**1 Claim, 2 Drawing Sheets**



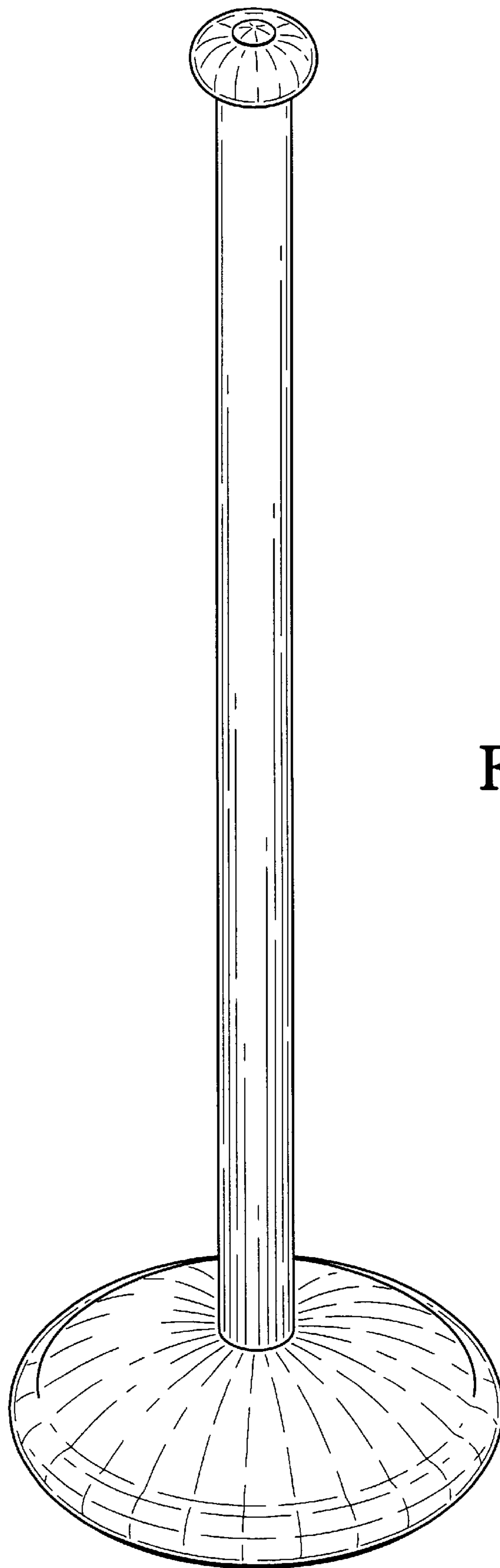


FIG-1

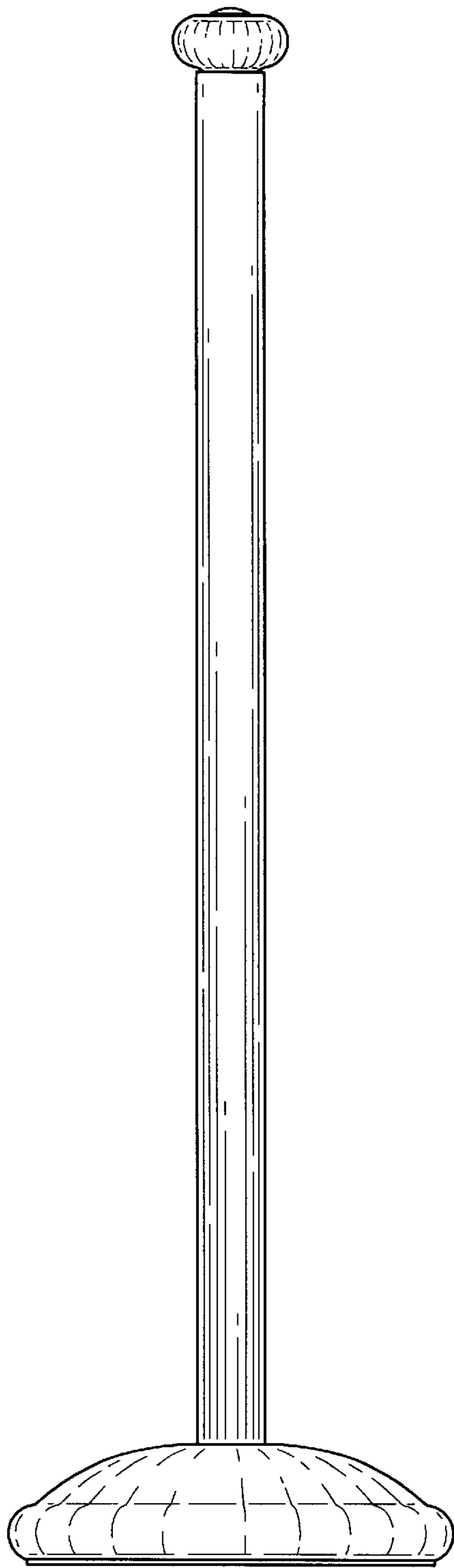


FIG-2

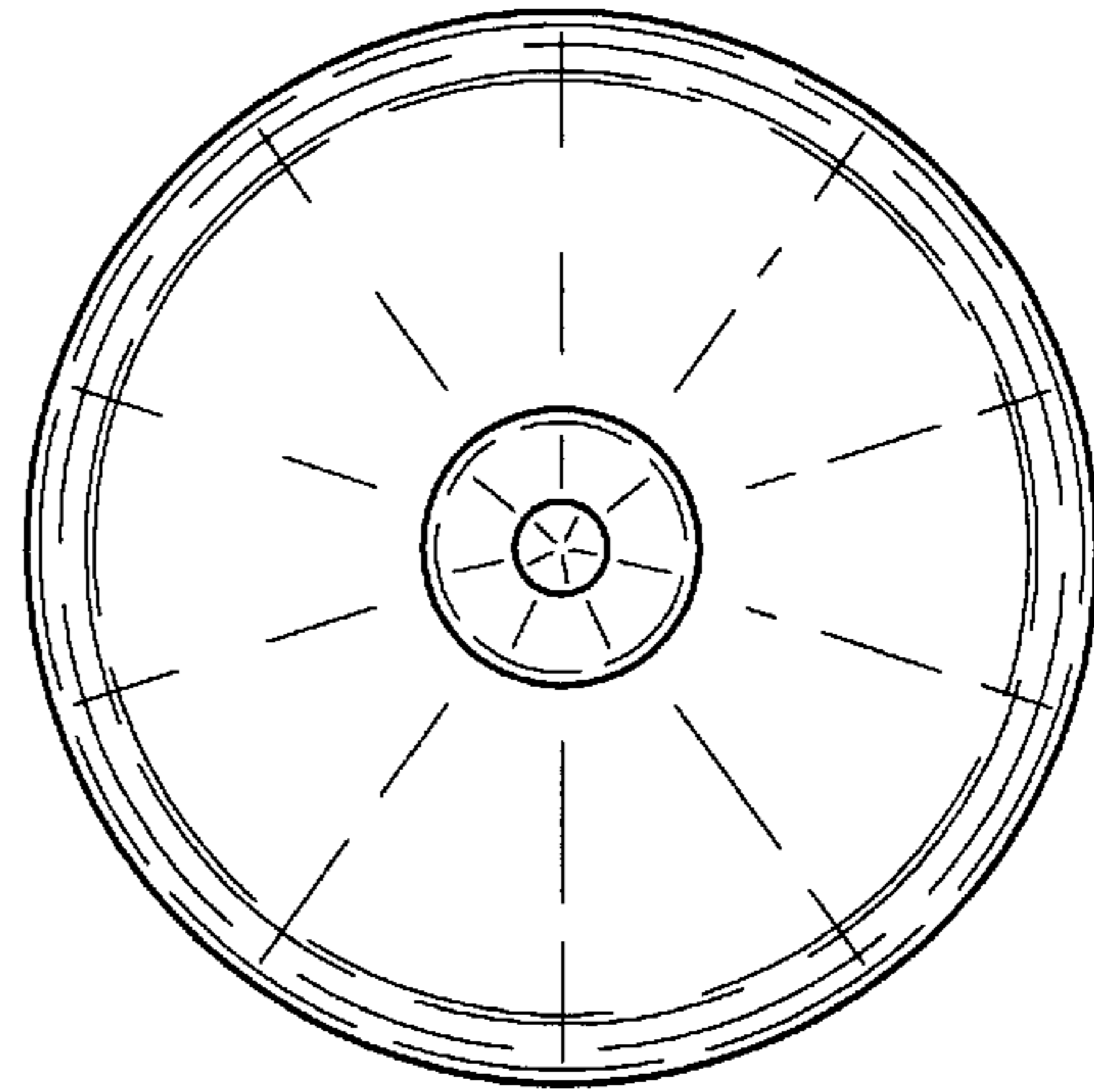


FIG-3

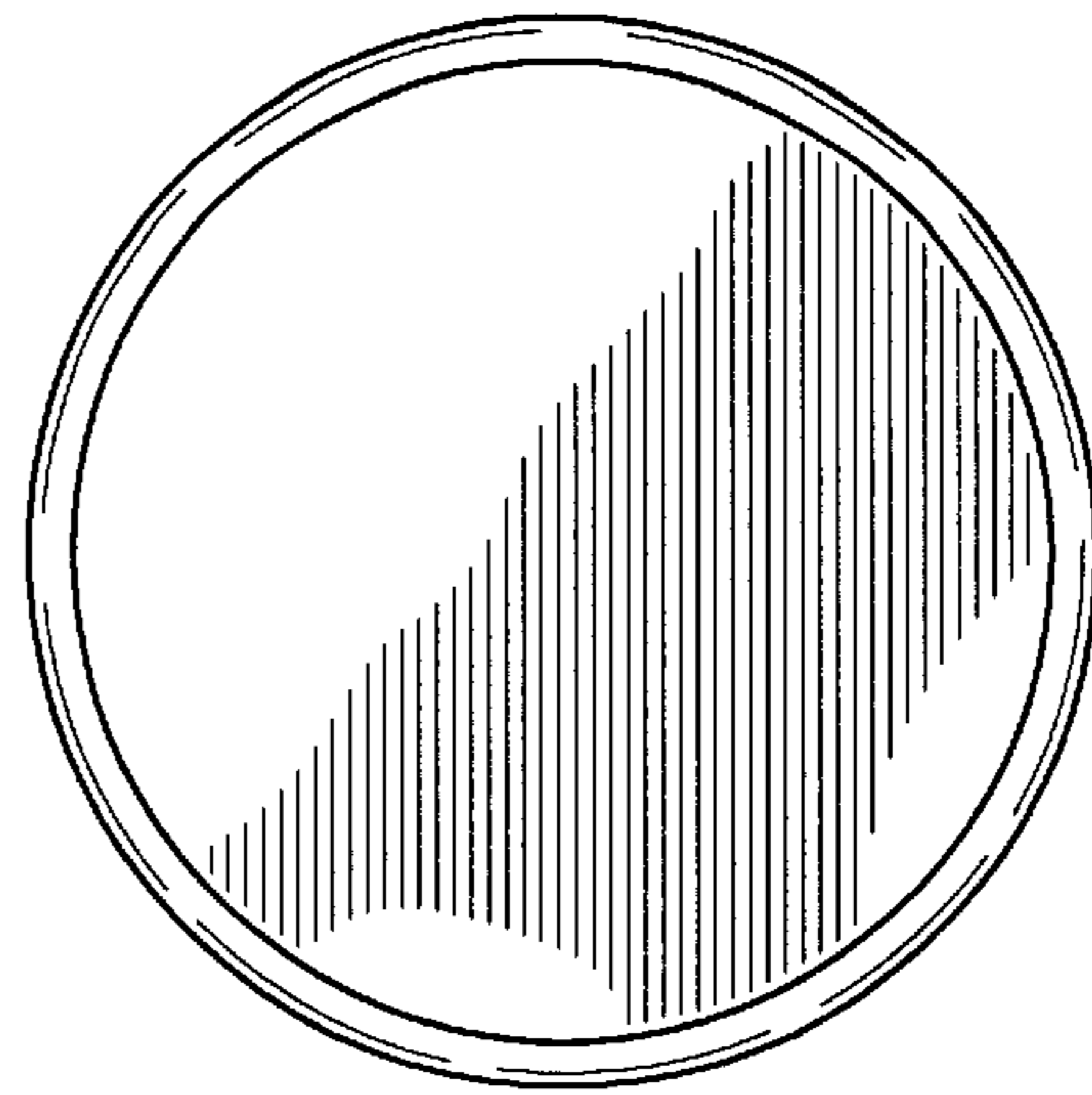


FIG-4