



US00D489557S

(12) **United States Design Patent**
Strong et al.

(10) **Patent No.:** **US D489,557 S**

(45) **Date of Patent:** **** May 11, 2004**

(54) **FOLD-IN-HALF TABLE**
(75) Inventors: **L. Curtis Strong**, Clearfield, UT (US);
Ray Adams, Clearfield, UT (US)
(73) Assignee: **Lifetime Products, Inc.**, Clearfield, UT
(US)
(**) Term: **14 Years**

5,421,272 A 6/1995 Wilmore
5,730,066 A 3/1998 Auten et al.
D414,626 S * 10/1999 Collins et al. D6/429
6,000,345 A 12/1999 Gillotti
D420,527 S 2/2000 Pinch
6,032,585 A 3/2000 Pinch
6,058,853 A 5/2000 Pinch
6,454,357 B1 9/2002 Foulger
D468,135 S * 1/2003 Ashby et al. D6/491
D479,778 S * 9/2003 Haney et al. D6/511

(21) Appl. No.: **29/180,752**
(22) Filed: **Apr. 29, 2003**
(51) **LOC (7) Cl.** **06-06**
(52) **U.S. Cl.** **D6/511**
(58) **Field of Search** D6/480-489, 429-430,
D6/509-511; 108/153.1, 155, 156, 161,
36, 126, 169, 65, 69, 70, 77

* cited by examiner

Primary Examiner—Janice Seeger
(74) *Attorney, Agent, or Firm*—Workman Nydegger

(57) **CLAIM**

The ornamental design for a fold-in-half table, as shown and described.

DESCRIPTION

FIG. 1 is a perspective view of a fold-in-half table in accordance with a preferred embodiment of the present invention;
FIG. 2 is a top view of the fold-in-half table shown in FIG. 1;
FIG. 3 is a bottom view of the fold-in-half table shown in FIG. 1;
FIG. 4 is a right side view of the fold-in-half table shown in FIG. 1, with the left side view being a mirror image thereof; and,
FIG. 5 is a front view of the fold-in-half table shown in FIG. 1, with the rear view being a mirror image thereof.
The broken lines are for illustrative purposes only and form no part of the claimed design.

(56) **References Cited**
U.S. PATENT DOCUMENTS
643,511 A 2/1900 Lloyd
1,614,187 A 1/1927 Coggins
1,976,140 A 10/1934 Paul
2,542,394 A 2/1951 Cohen et al.
2,730,418 A 1/1956 Blink
2,747,957 A 5/1956 Lencioni
2,871,076 A 1/1959 Mell
3,143,982 A 8/1964 Blink et al.
3,368,504 A 2/1968 Cohen
D247,080 S * 1/1978 Robinson D6/485
4,653,804 A 3/1987 Yoo et al.
4,841,877 A 6/1989 Virtue
4,883,314 A 11/1989 Sakong
5,009,170 A 4/1991 Spehar
5,154,441 A 10/1992 White et al.
5,377,601 A 1/1995 Cashen

1 Claim, 4 Drawing Sheets



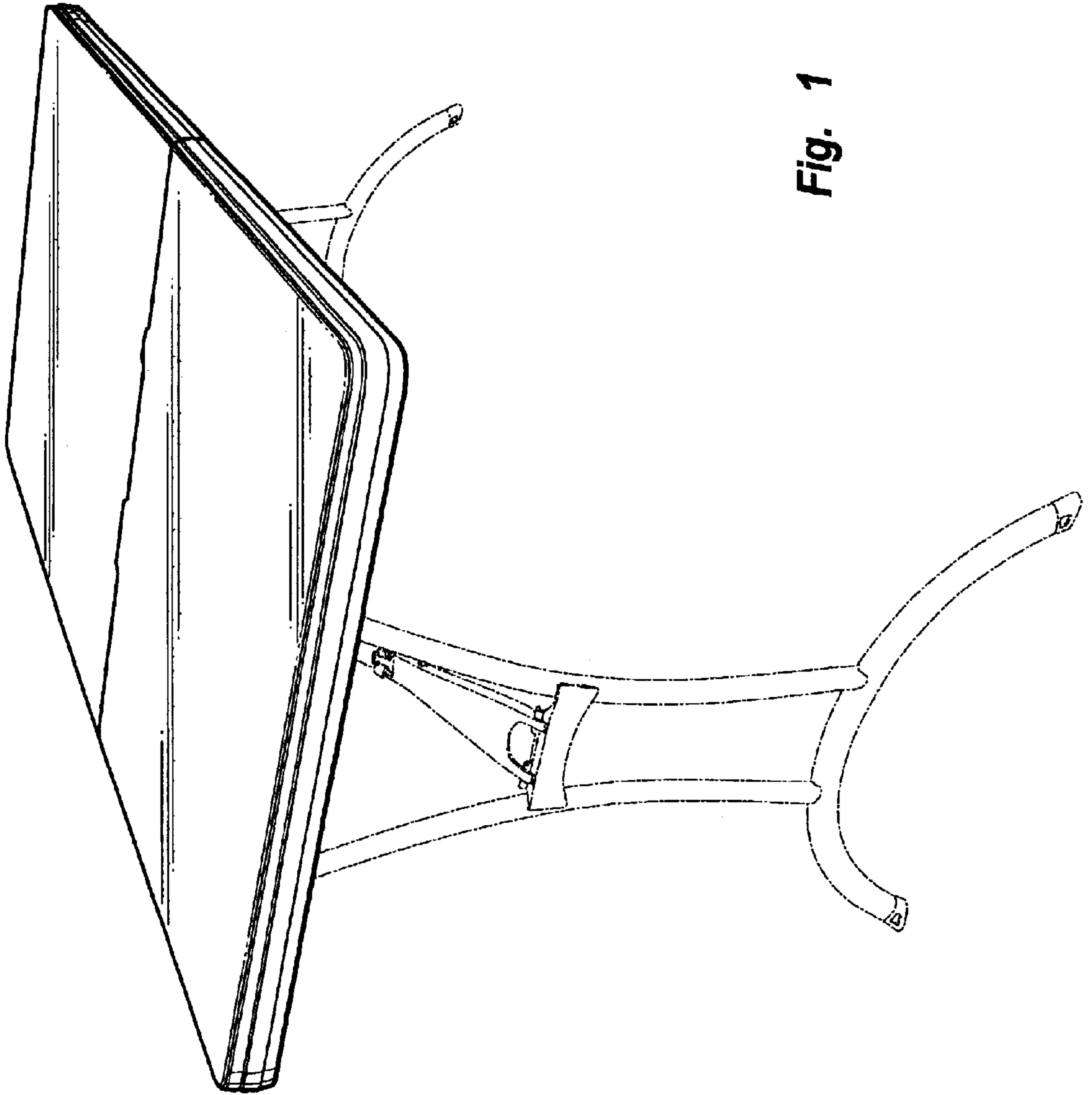


Fig. 1

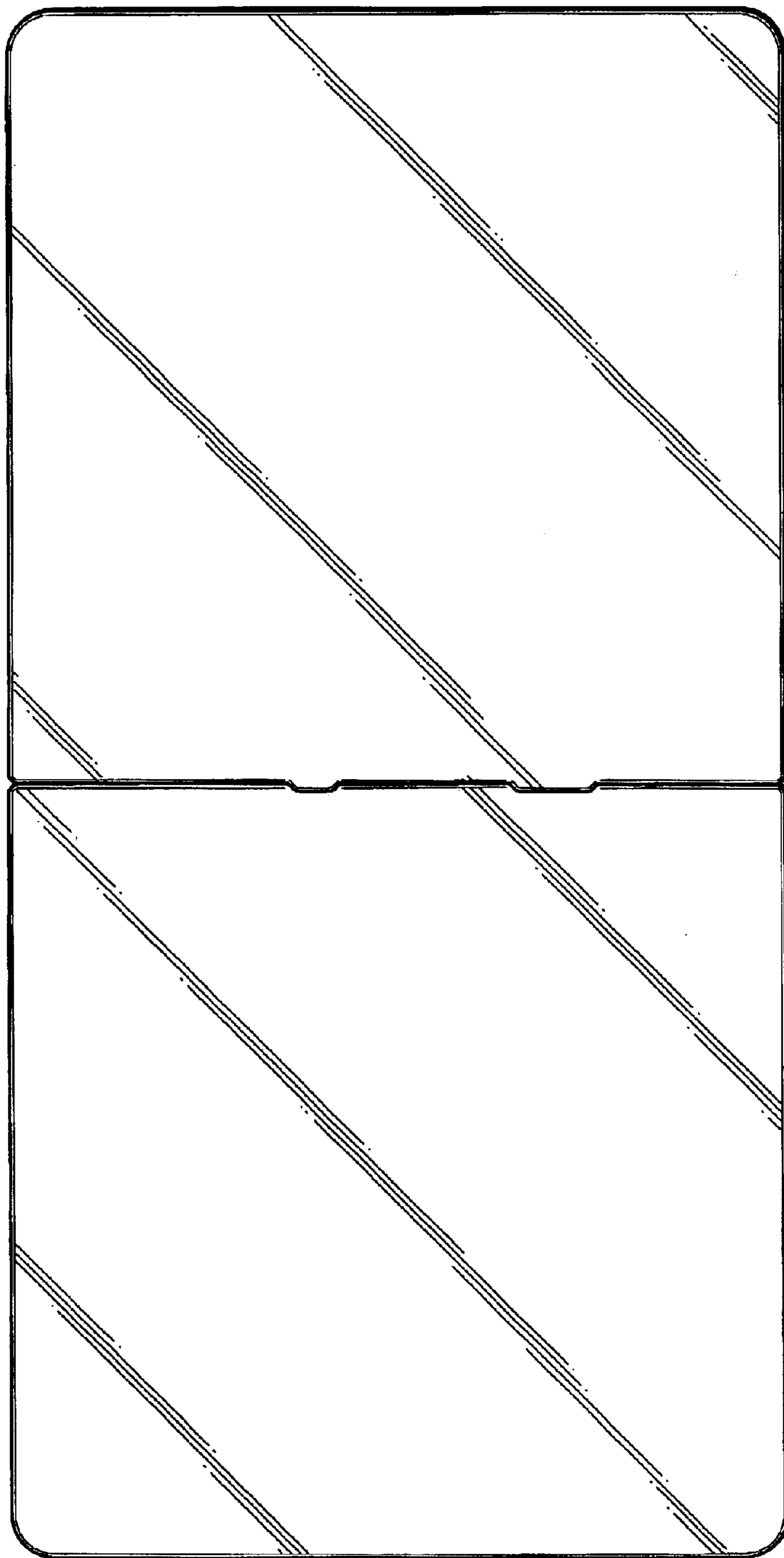


Fig. 2

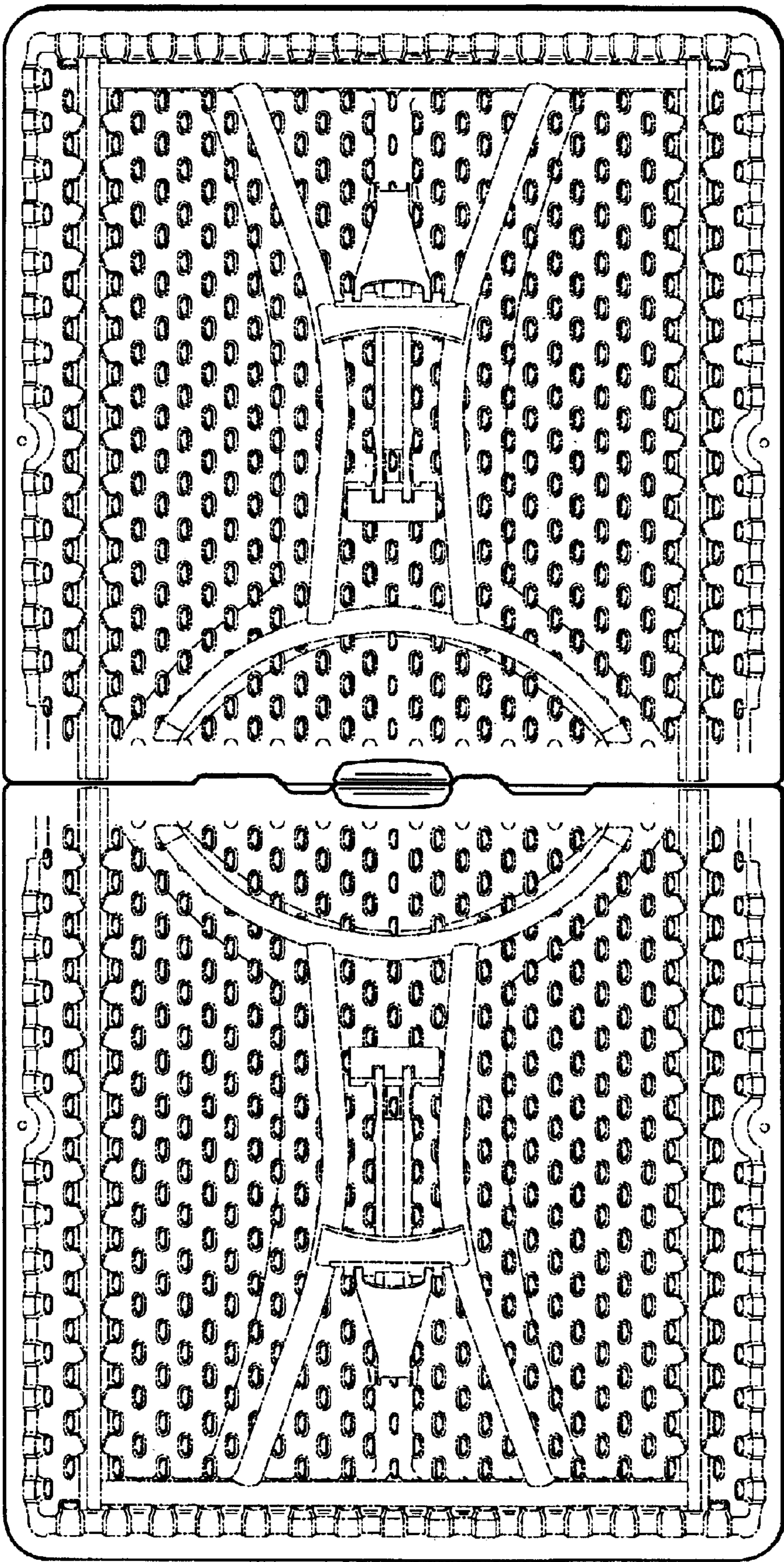


Fig. 3

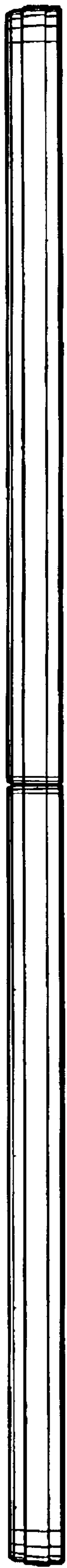


Fig. 4

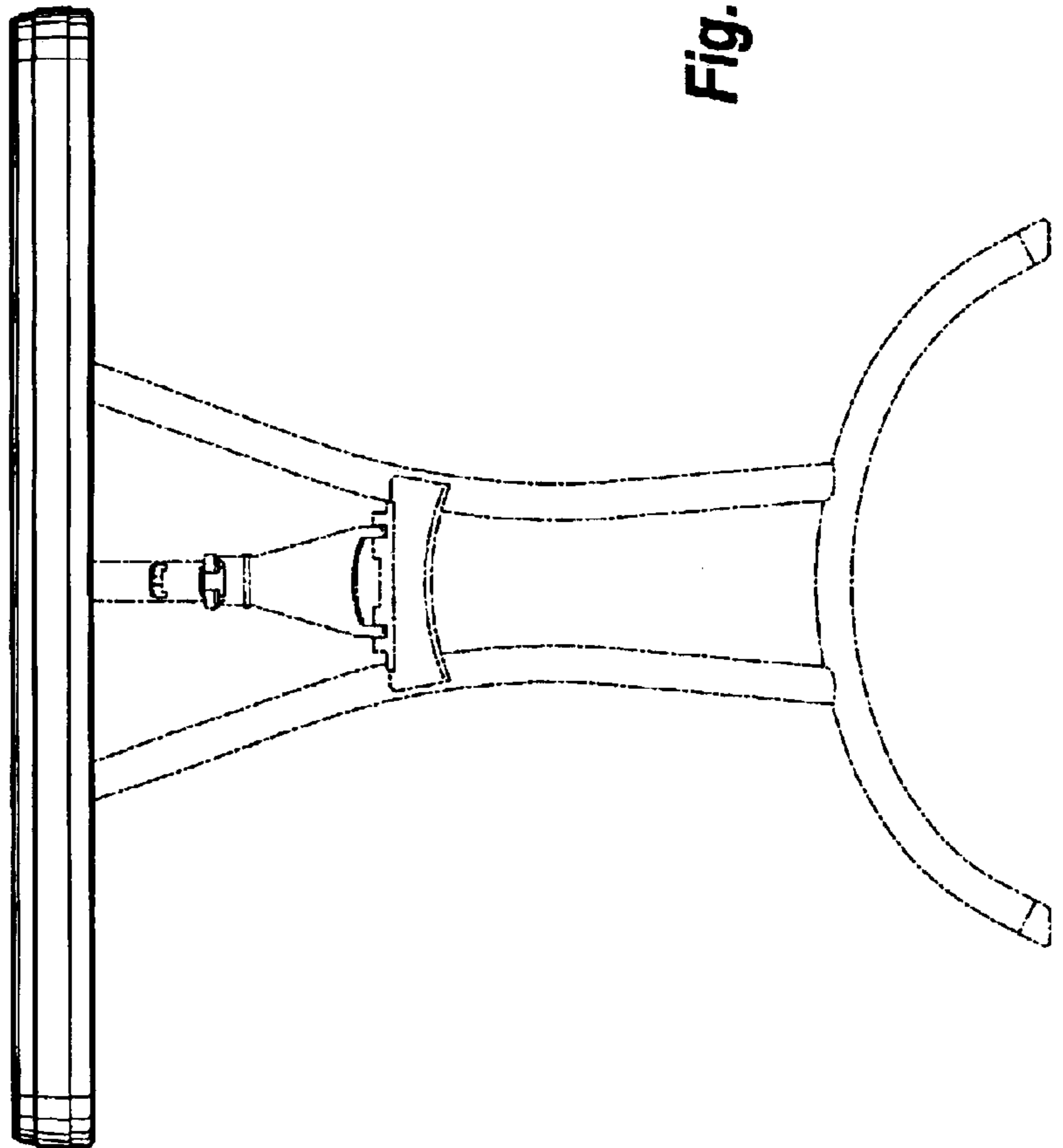


Fig. 5