



US00D489556S

(12) **United States Design Patent**
Mason

(10) **Patent No.:** **US D489,556 S**

(45) **Date of Patent:** **** May 11, 2004**

(54) **SHELF**

(75) **Inventor:** **Timothy L. Mason**, Melville, NY (US)

(73) **Assignee:** **New Dimensions Research Corporation**, Melville, NY (US)

(**) **Term:** **14 Years**

(21) **Appl. No.:** **29/176,492**

(22) **Filed:** **Feb. 24, 2003**

(51) **LOC (7) Cl.** **06-06**

(52) **U.S. Cl.** **D6/511**

(58) **Field of Search** D6/407, 628-630, D6/418, 462-465, 467, 468, 475, 477-479, 511, 515; 108/59, 91, 93, 147.11; 206/307, 307.1, 308.1; 211/40, 41.1, 41.2, 41.12, 76, 126.19, 133.2, 133.5, 153, 181.1, 180; 312/9.1, 9.9, 9.47, 9.48, 9.51-9.54, 9.64, 213

(56) **References Cited**

U.S. PATENT DOCUMENTS

1,317,534 A	9/1919	Williams
1,711,329 A	4/1929	Short
2,649,207 A	8/1953	Shield

3,019,907 A	2/1962	Belejack	
3,404,927 A	10/1968	Mellion	
3,900,112 A	8/1975	Azzi et al.	
3,977,523 A	* 8/1976	Cousino 211/40 X
D268,068 S	* 3/1983	Ellenson et al. D6/515
4,684,027 A	* 8/1987	Wright 211/40
4,744,489 A	5/1988	Binder et al.	
D381,546 S	* 7/1997	Hunt D6/629
D404,240 S	* 1/1999	Man D6/629

* cited by examiner

Primary Examiner—Cathron C. Brooks
(74) *Attorney, Agent, or Firm*—Collard & Roe, PC

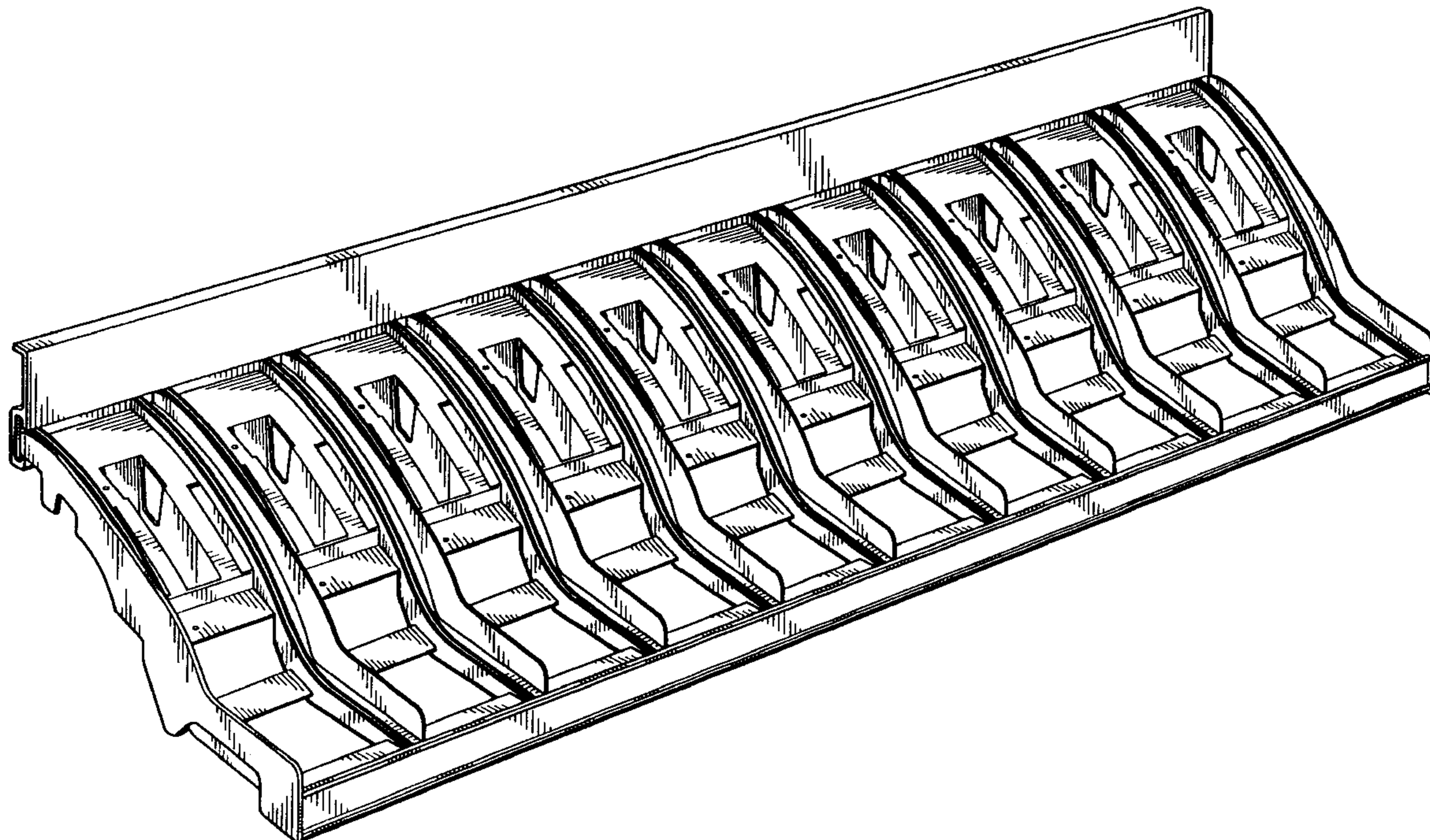
(57) **CLAIM**

The ornamental design for a shelf, as shown and described.

DESCRIPTION

FIG. 1 shows a perspective view of my design for a shelf according to the invention.
FIG. 2 shows a first side view, with the opposite side view being identical.
FIG. 3 shows a front view thereof.
FIG. 4 shows a top plan view thereof.
FIG. 5 shows a bottom plan view thereof; and,
FIG. 6 shows a back view thereof.

1 Claim, 5 Drawing Sheets



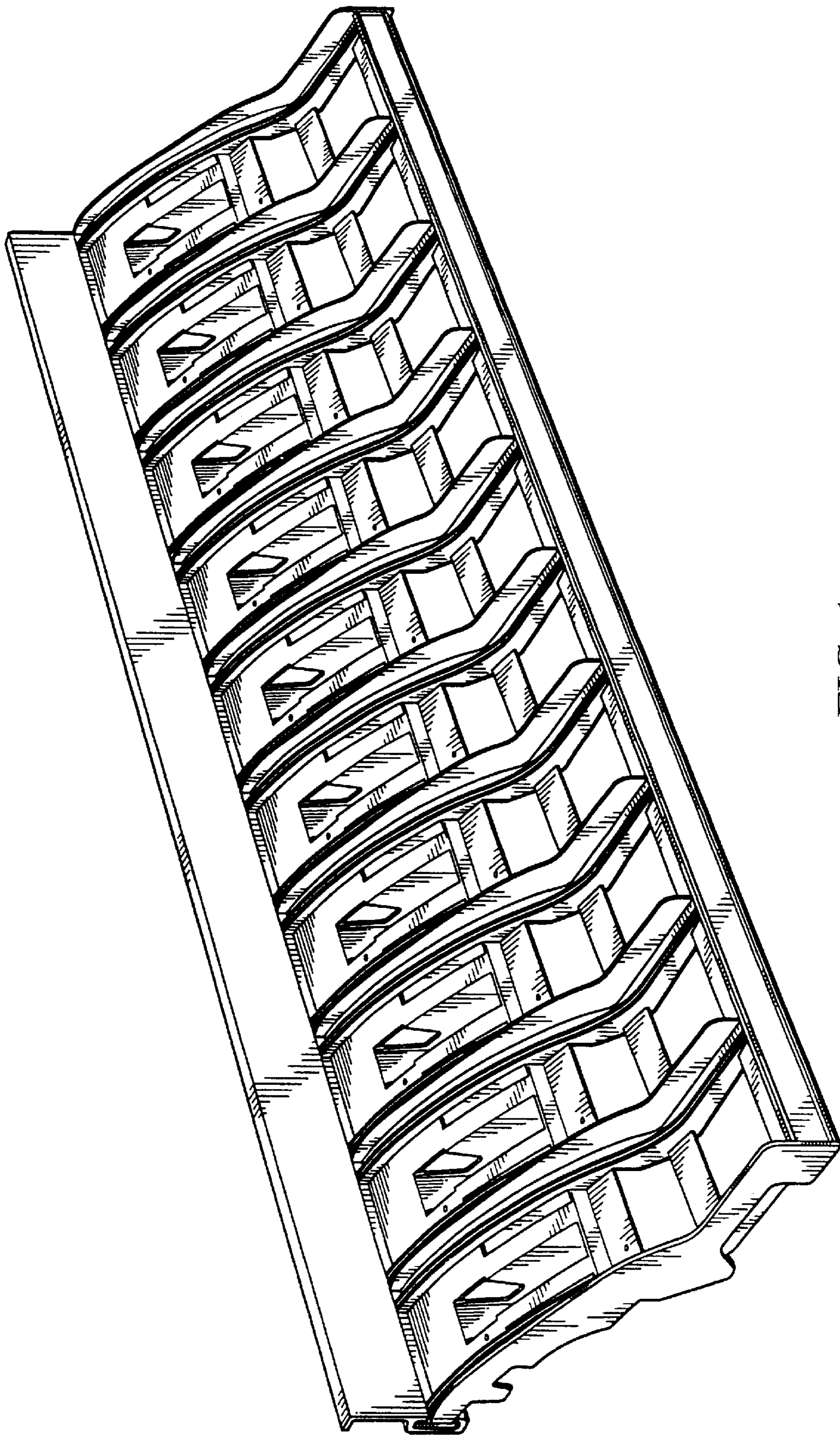


FIG. 1

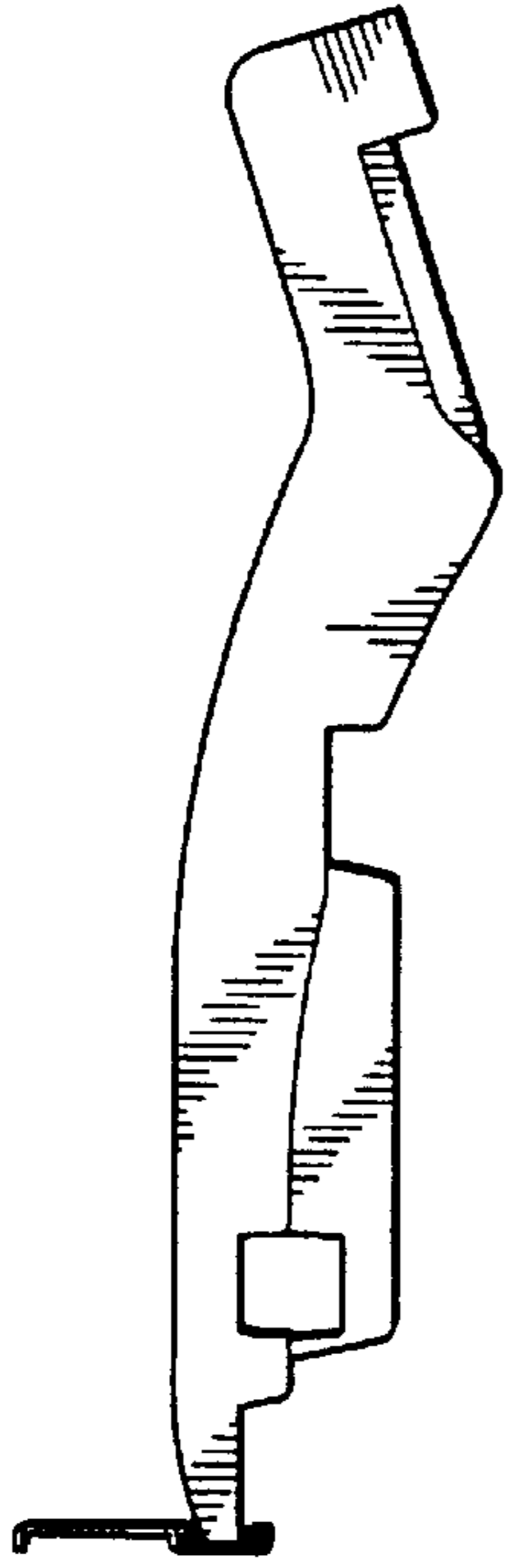


FIG. 2

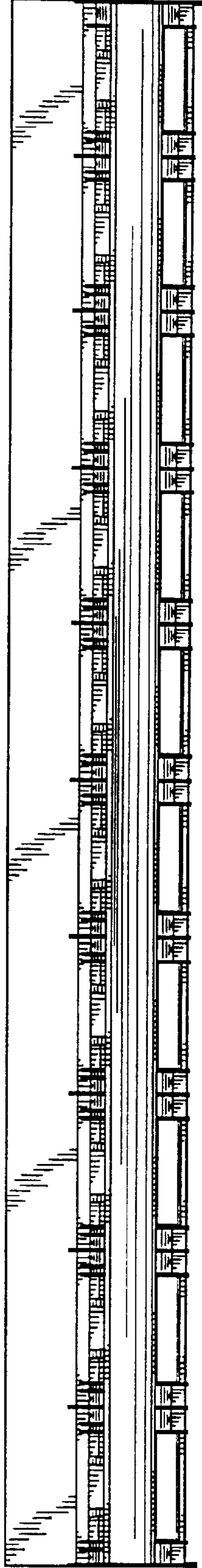


FIG. 3

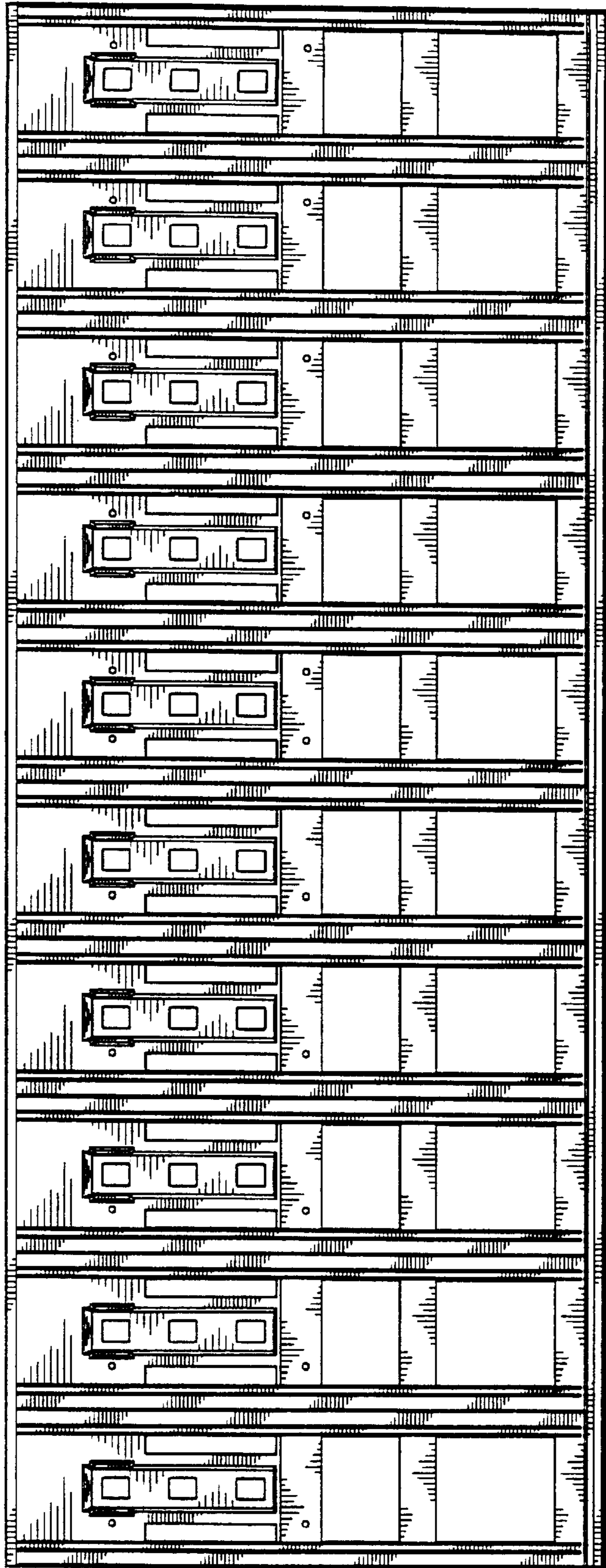


FIG. 4

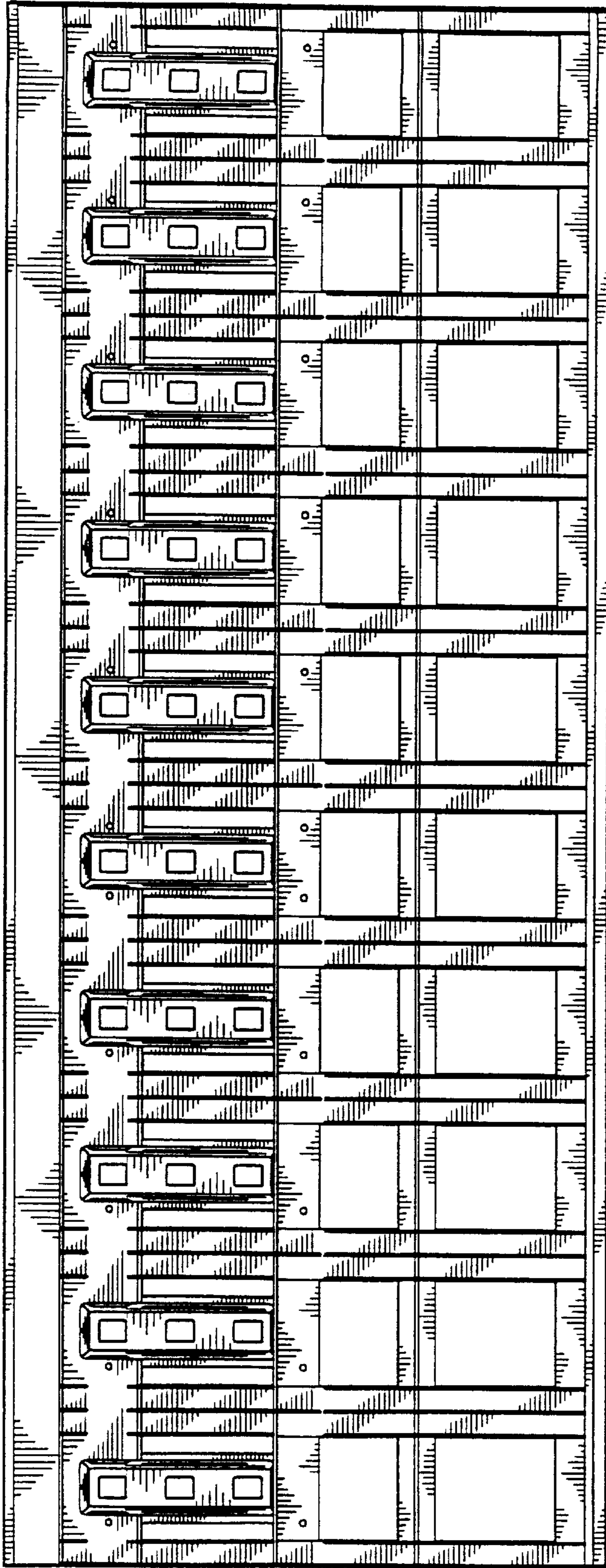


FIG. 5

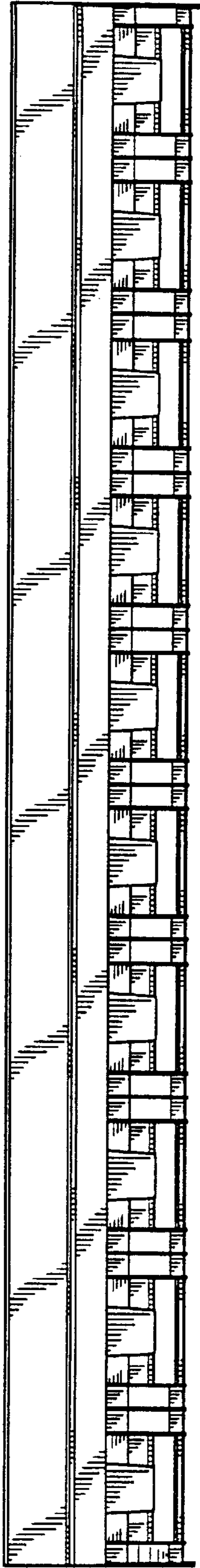


FIG. 6