



US00D489553S

(12) **United States Design Patent**  
**Haney**

(10) **Patent No.:** **US D489,553 S**

(45) **Date of Patent:** **\*\* May 11, 2004**

(54) **TRIGGER MECHANISM THAT ALLOWS A HEIGHT OF A TABLE TO BE ADJUSTED**

D412,831 S \* 8/1999 Murakami ..... D8/382  
D481,567 S \* 11/2003 Ashby et al. .... D6/499

(75) Inventor: **Thayne B. Haney**, Syracuse, UT (US)

\* cited by examiner

(73) Assignee: **Lifetime Products, Inc.**, Clearfield, UT (US)

*Primary Examiner*—Janice E. Seeger

(74) *Attorney, Agent, or Firm*—Workman Nydegger

(\*\*) Term: **14 Years**

(57) **CLAIM**

(21) Appl. No.: **29/180,020**

The ornamental design for a trigger mechanism that allows a height of a table to be adjusted, as shown and described.

(22) Filed: **Apr. 17, 2003**

**DESCRIPTION**

(51) **LOC (7) Cl.** ..... **06-06**

(52) **U.S. Cl.** ..... **D6/491**

(58) **Field of Search** ..... D6/480–489, 495–499, D6/429–431, 491; D8/382; 108/130, 153, 155, 156, 157.1, 161, 115, 118, 119, 120, 131; 248/188, 188.1, 188.7, 188.8, 164, 432

FIG. 1 is a perspective view of a trigger mechanism that allows a height of a table to be adjusted;

FIG. 2 is an enlarged perspective view of the trigger mechanism that allows a height of a table to be adjusted shown in FIG. 1;

FIG. 3 is a front view of the trigger mechanism that allows a height of a table to be adjusted shown in FIG. 2; and,

FIG. 4 is a back view of the trigger mechanism that allows a height of a table to be adjusted shown in FIG. 2.

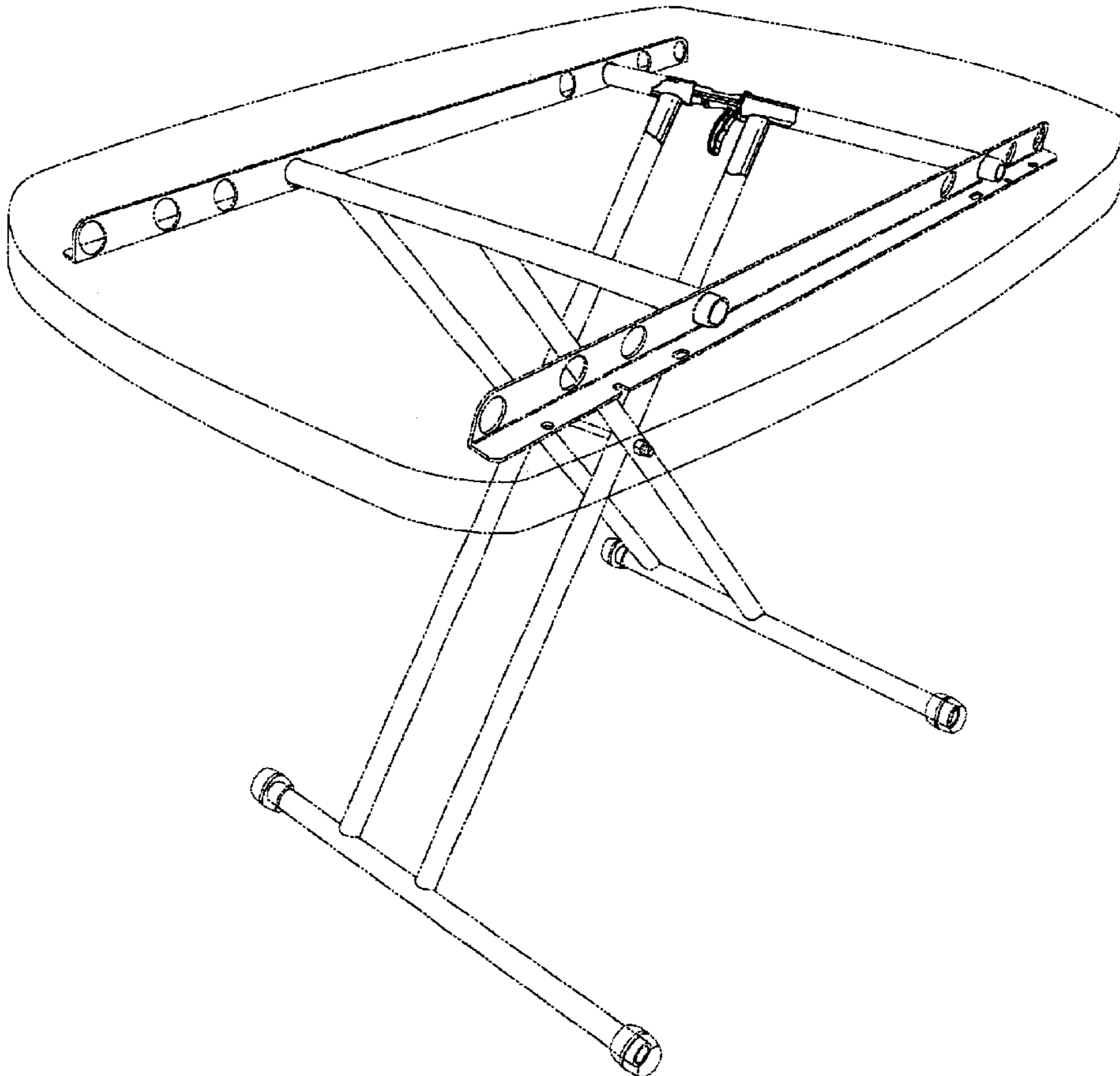
The broken lines shown in the figures are for illustrative purposes only and form no part of the claimed design.

(56) **References Cited**

**U.S. PATENT DOCUMENTS**

3,405,587 A \* 10/1968 Remo Meazzi et al. .... 84/421  
4,944,235 A \* 7/1990 Jahnke et al. .... 108/159.11

**1 Claim, 3 Drawing Sheets**



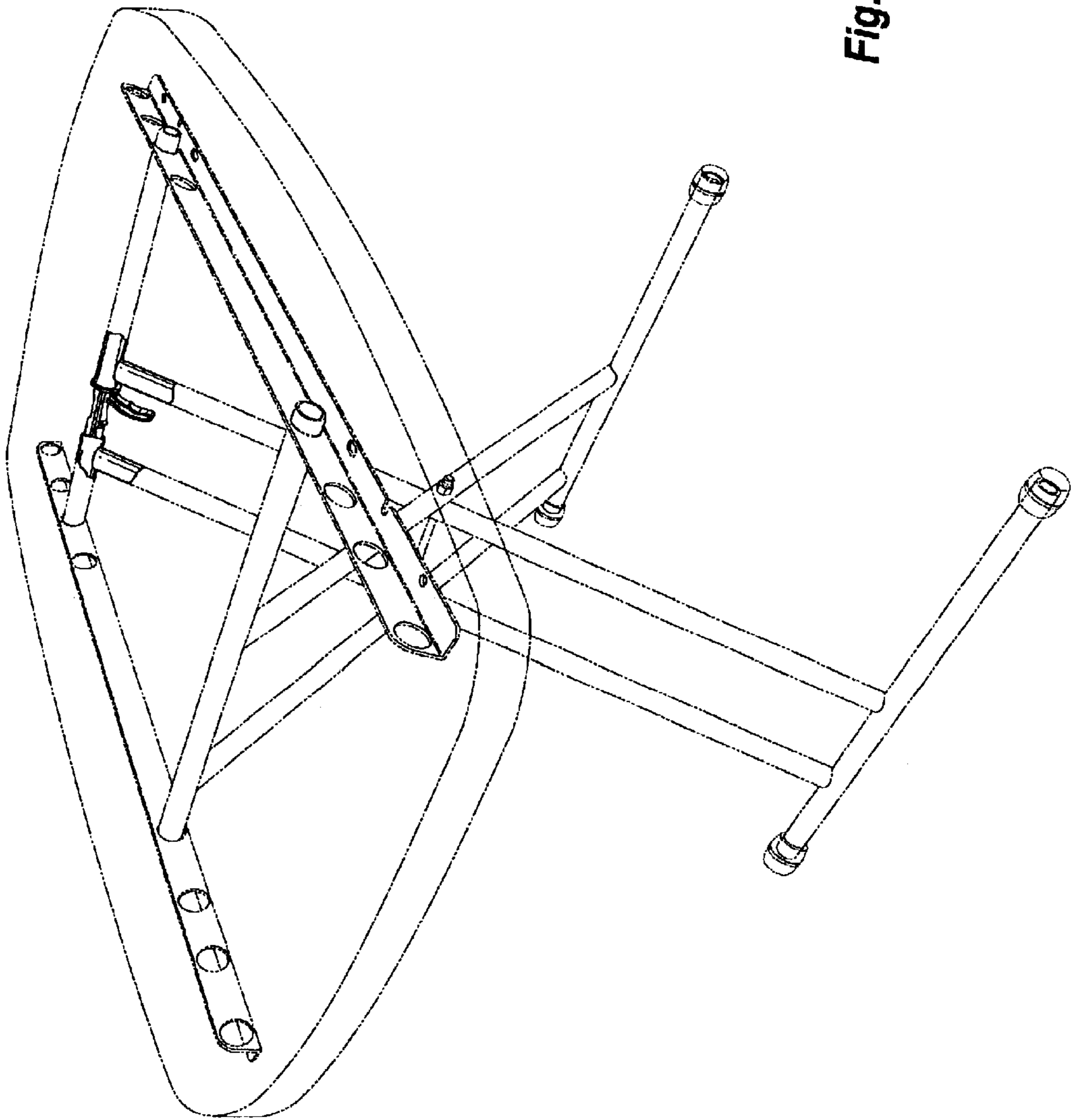


Fig. 1

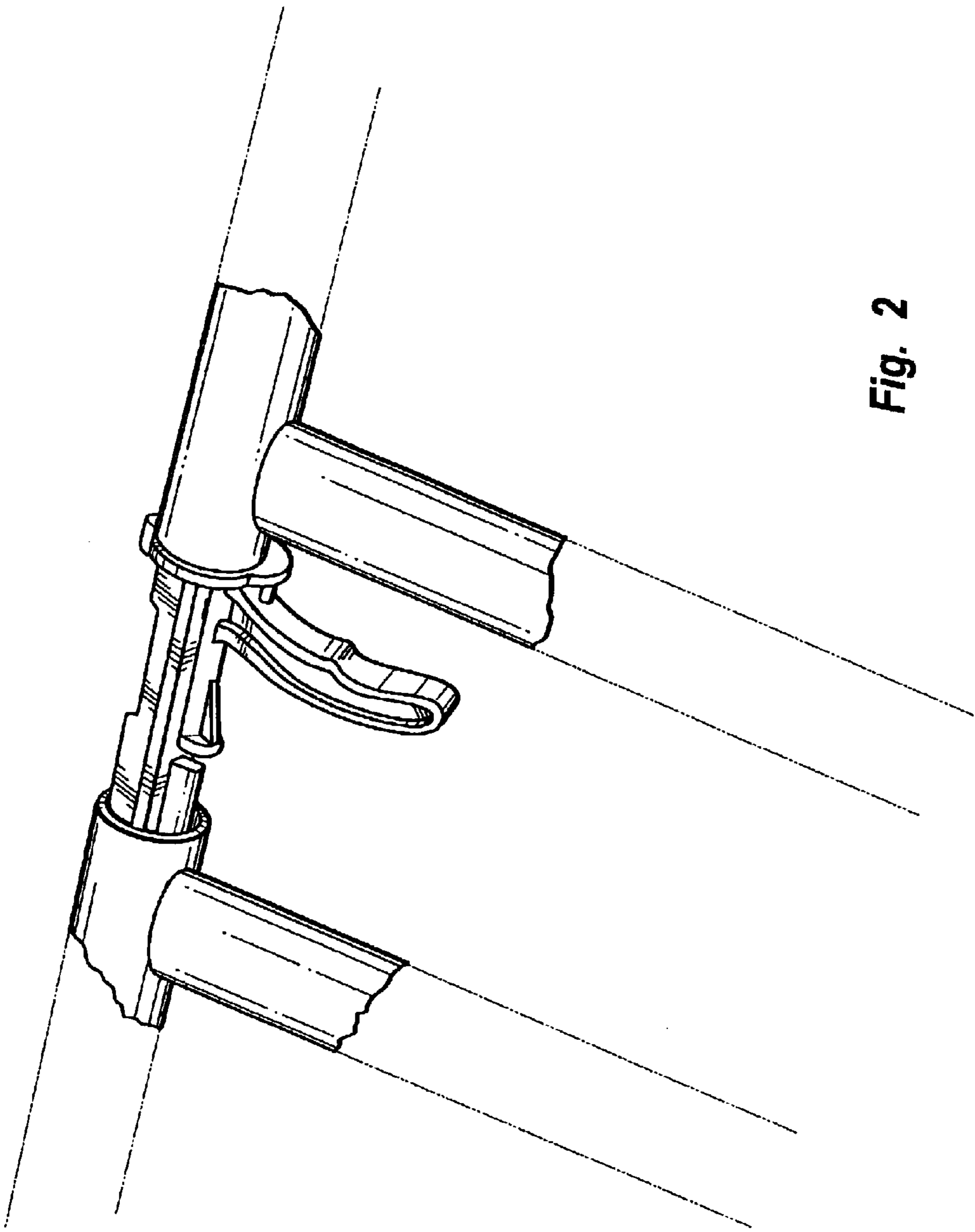


Fig. 2

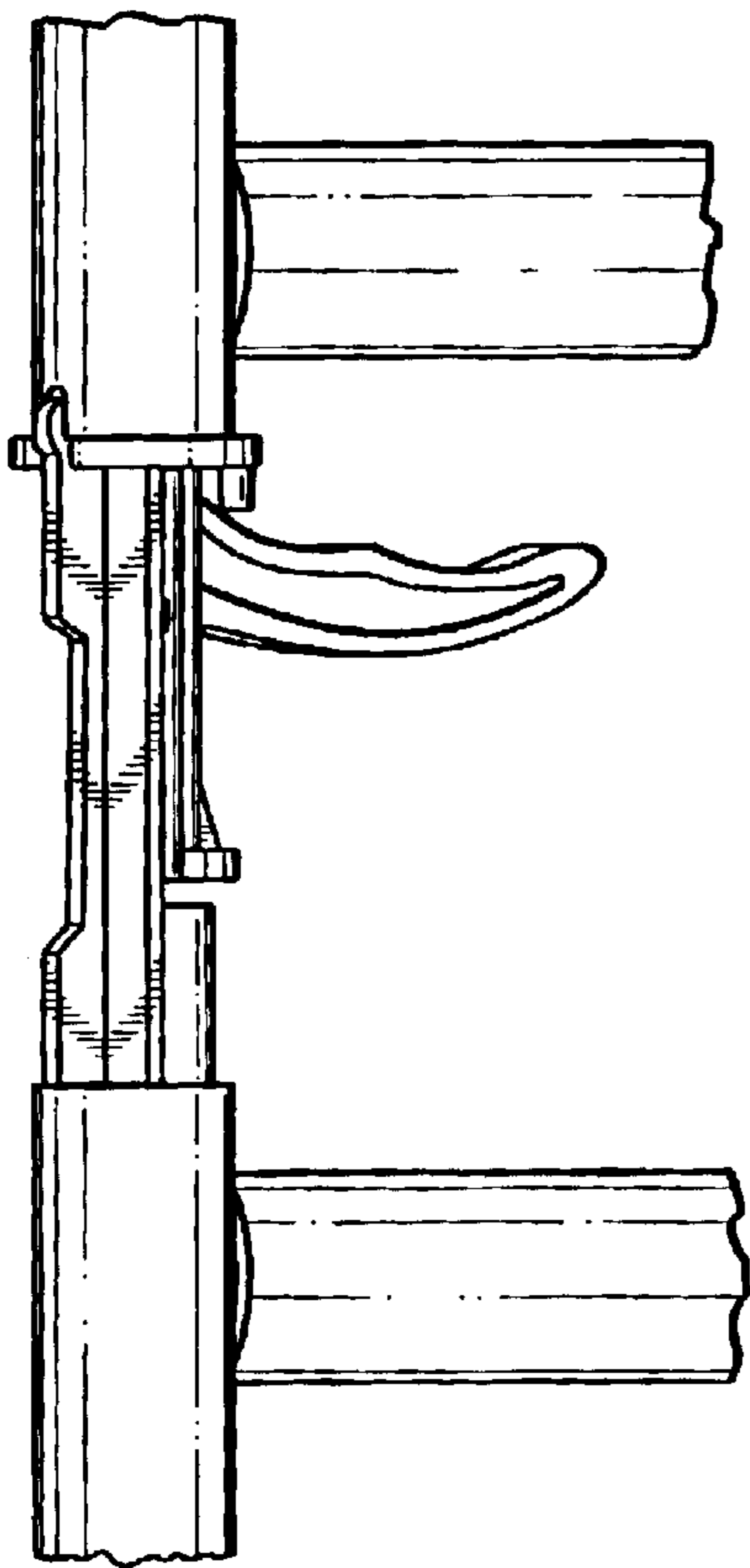


Fig. 3

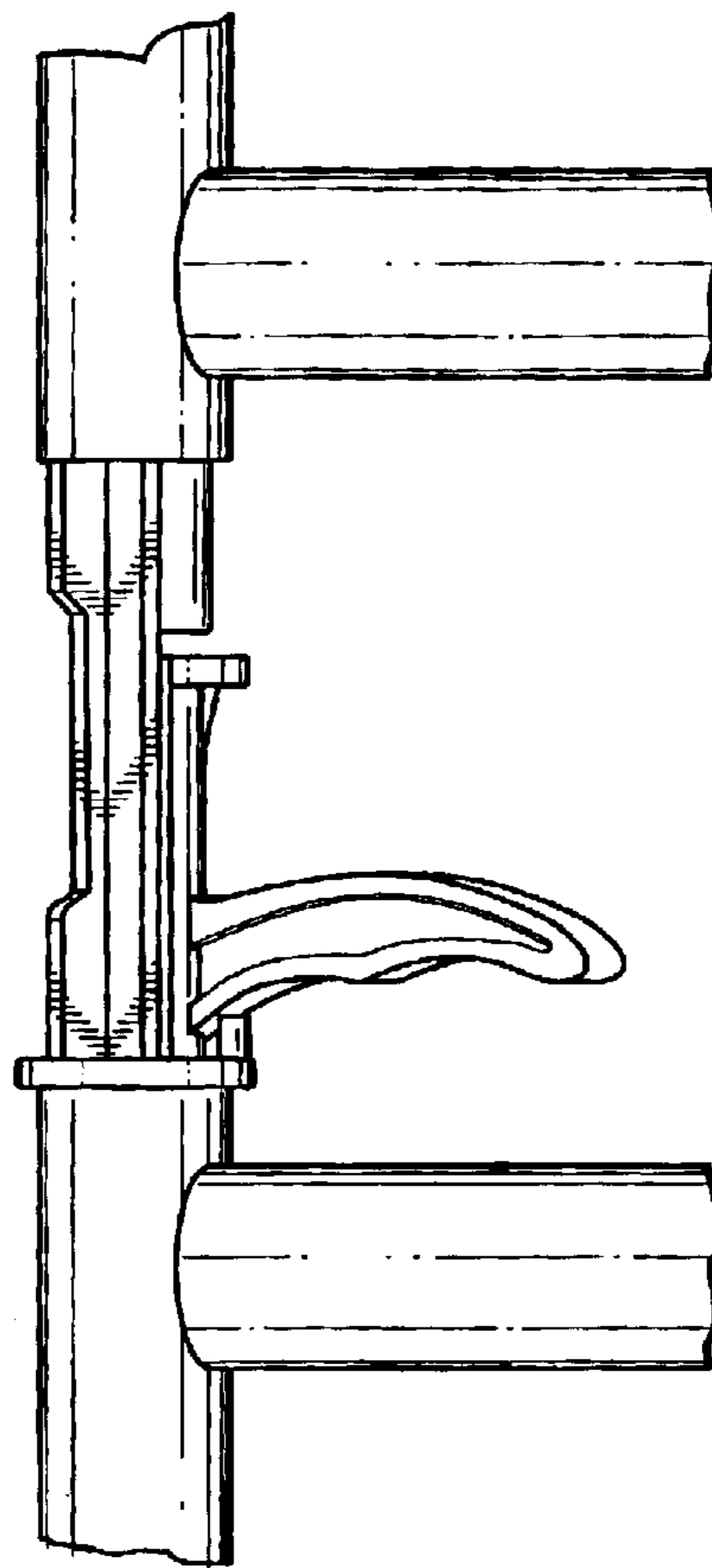


Fig. 4

UNITED STATES PATENT AND TRADEMARK OFFICE  
**CERTIFICATE OF CORRECTION**

PATENT NO. : Des. 489,553 S  
DATED : May 11, 2004  
INVENTOR(S) : Thayne B. Haney

Page 1 of 1

It is certified that error appears in the above-identified patent and that said Letters Patent is hereby corrected as shown below:

Title page,  
Item [57], **DESCRIPTION,**  
Lines 4, 7 and 9, insert -- as -- before "shown"  
Line 7, delete " ,"

Signed and Sealed this

Twenty-third Day of November, 2004

A handwritten signature in black ink that reads "Jon W. Dudas". The signature is written in a cursive style with a large, looped initial "J".

JON W. DUDAS  
*Director of the United States Patent and Trademark Office*