



US00D489551S

(12) **United States Design Patent**
Cesaroni et al.

(10) **Patent No.:** **US D489,551 S**

(45) **Date of Patent:** **** May 11, 2004**

(54) **OFFICE TABLE**

(75) Inventors: **William C. Cesaroni**, Glenview, IL (US); **Shawn O. Barrett**, Des Plaines, IL (US); **Robert J. Glenn, II**, Chicago, IL (US)

(73) Assignee: **HON Technology Inc.**, Muscatine, IA (US)

(**) Term: **14 Years**

(21) Appl. No.: **29/170,088**

(22) Filed: **Oct. 31, 2002**

(51) **LOC (7) Cl.** **06-03**

(52) **U.S. Cl.** **D6/480**

(58) **Field of Search** D6/480-489, 495, D6/511, 429-431, 421; 108/50.01, 50.02; 312/194-196, 204, 208.1, 208.2, 208.4, 239; 248/188, 188.1, 188.8

(56) **References Cited**

U.S. PATENT DOCUMENTS

2,805,906	A	*	9/1957	Hoven et al.	108/146
3,166,029	A	*	1/1965	Acton	108/124
D220,938	S		6/1971	Harlang	
3,796,169	A		3/1974	Bales et al.	
D236,058	S	*	7/1975	Kramer	D6/484
D278,012	S		3/1985	Doerner	
D288,287	S		2/1987	Screen	
D314,299	S		2/1991	Diffrient	
D324,165	S		2/1992	Bressler et al.	

D329,011	S		9/1992	Block	
D330,299	S	*	10/1992	Saotome	D6/429
D332,887	S		2/1993	Fjello-Jensen	
D342,873	S		1/1994	Dannenberg	
D362,573	S		9/1995	Finlayson et al.	
D365,712	S		1/1996	Smith	
5,638,761	A		6/1997	Berkowitz et al.	
D380,632	S	*	7/1997	Schacht	D6/495
5,673,633	A		10/1997	Pfister	
D414,966	S		10/1999	Patel et al.	
D415,376	S		10/1999	Lottes	
D437,513	S		2/2001	Privatt et al.	
D439,448	S		3/2001	DeJule	
D444,969	S		7/2001	Erickson et al.	
6,415,723	B1	*	7/2002	Kopish et al.	108/50.02

* cited by examiner

Primary Examiner—Janice E. Seeger

(74) *Attorney, Agent, or Firm*—Jones Day

(57) **CLAIM**

The ornamental design for an office table, as shown.

DESCRIPTION

FIG. 1 is an isometric view of an office table showing the new design;

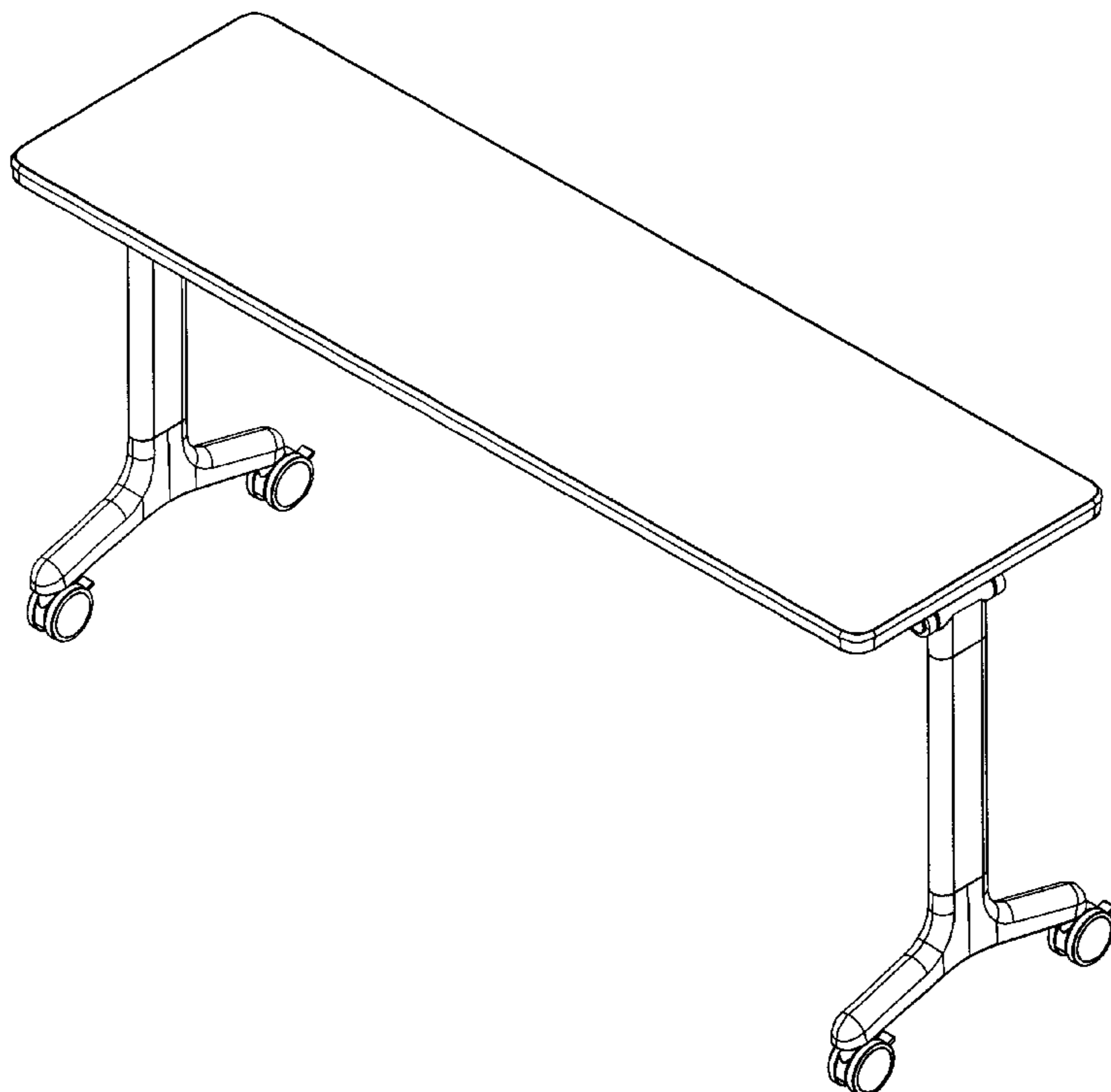
FIG. 2 is a front view thereof, the rear view is identical;

FIG. 3 is a left side view thereof, the right side view is identical;

FIG. 4 is a top view thereof; and,

FIG. 5 is a bottom view thereof.

1 Claim, 5 Drawing Sheets



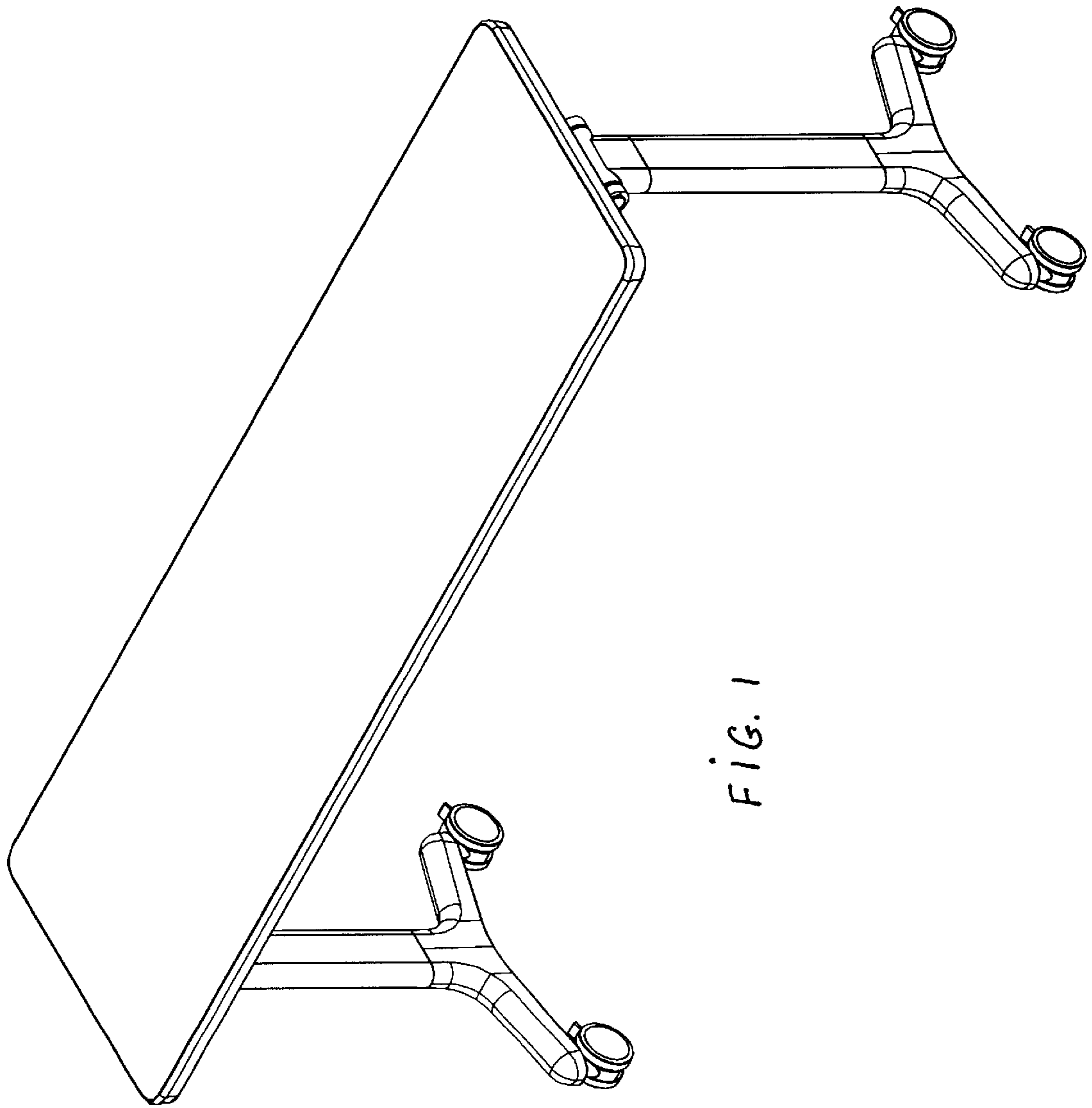


FIG. 1

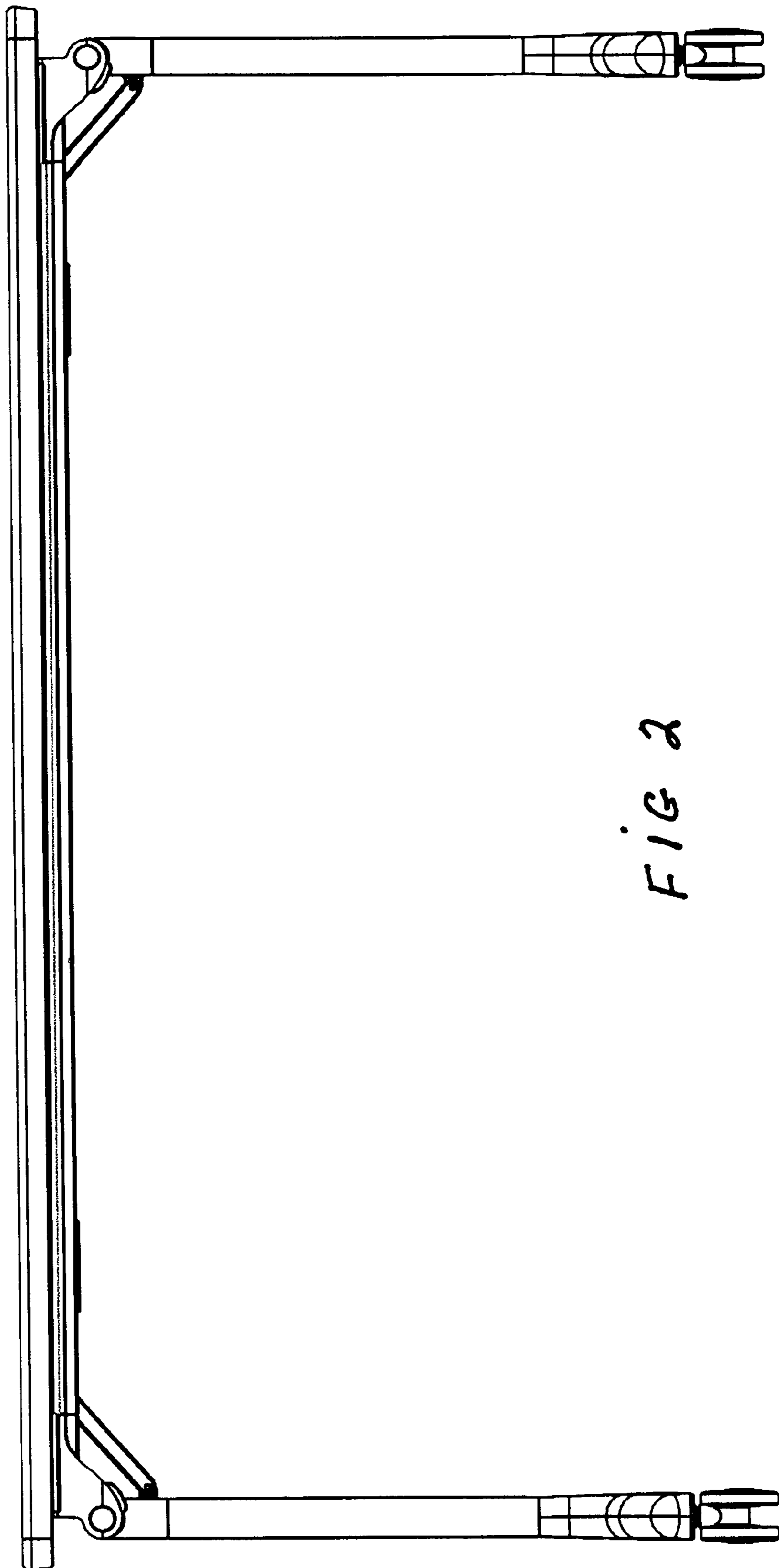


FIG 2

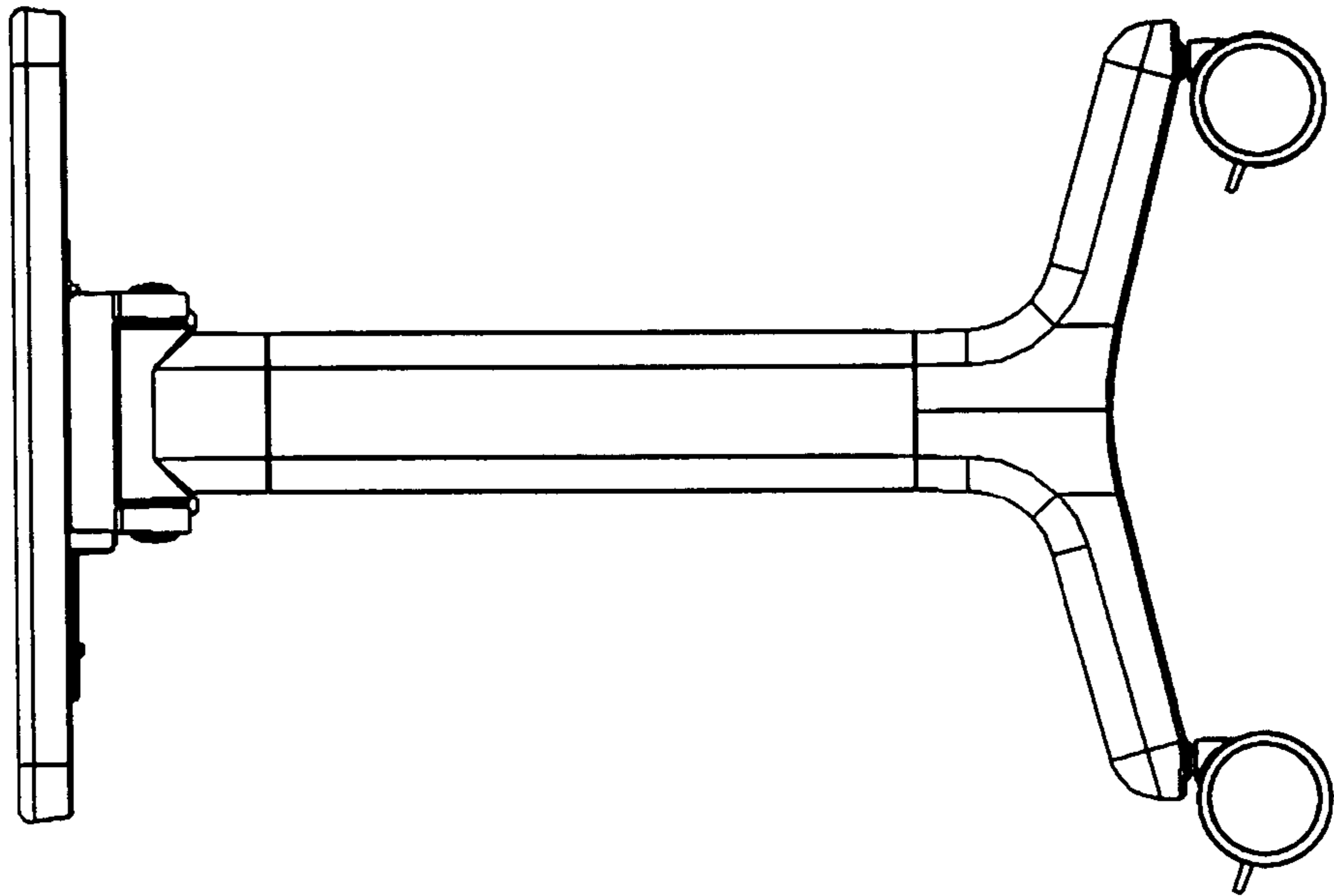


FIG. 3

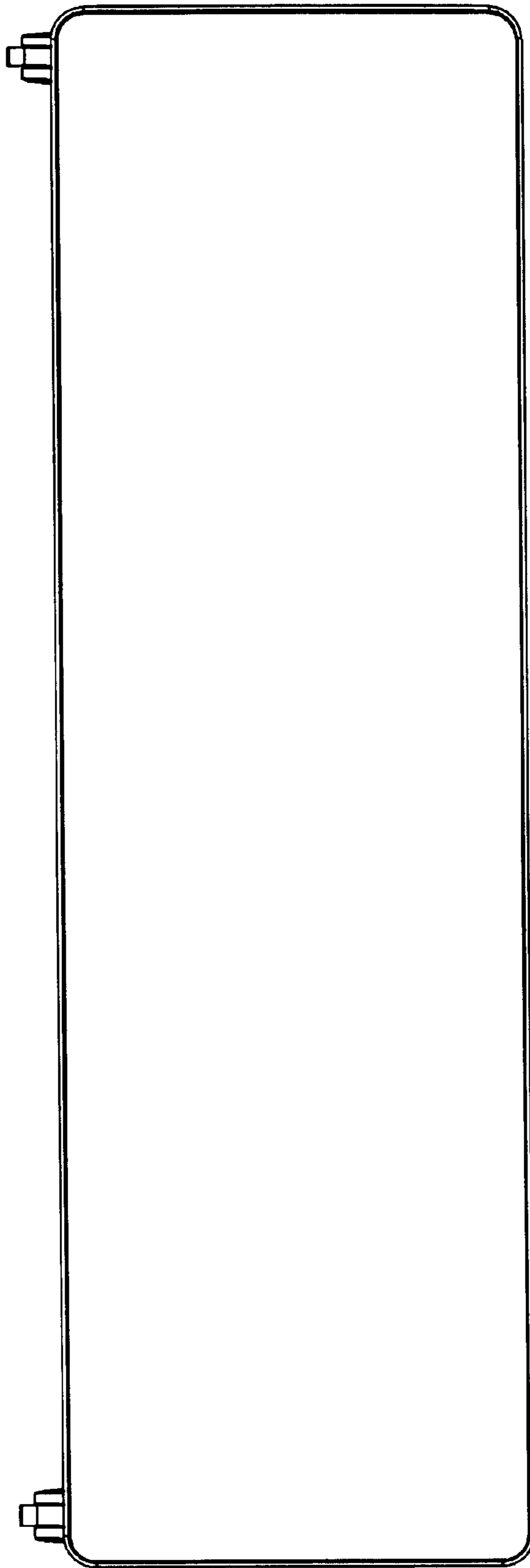


FIG. 4

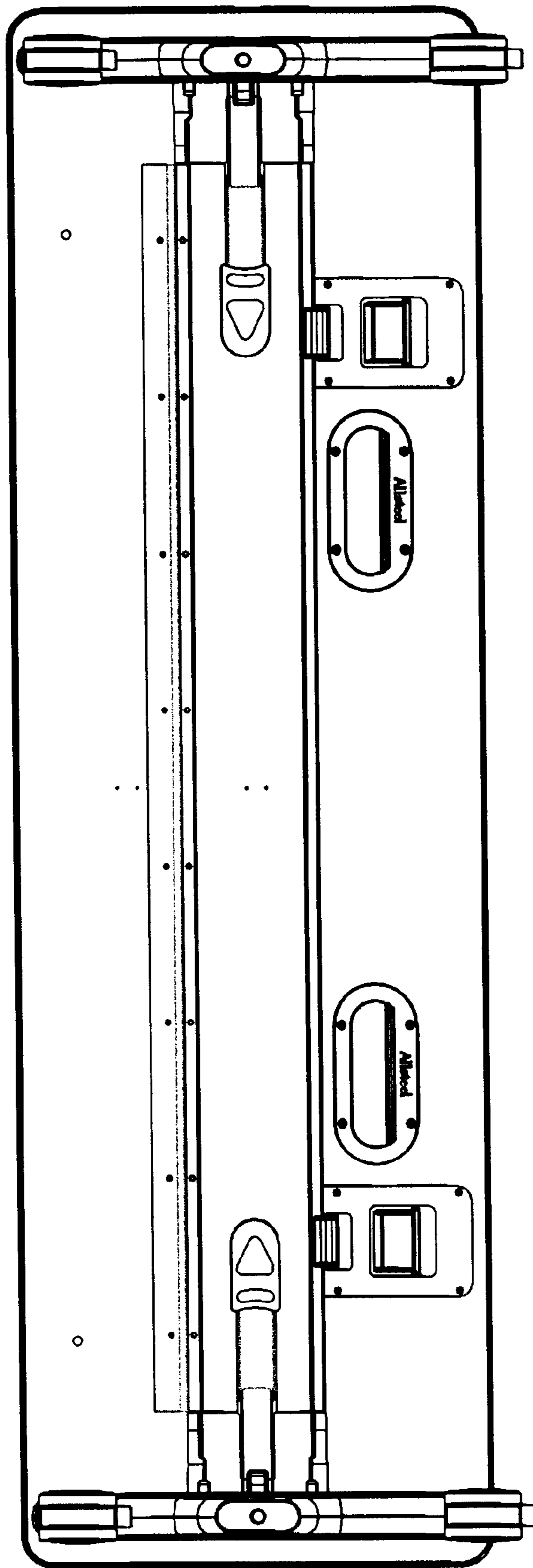


FIG. 5