



US00D489547S

(12) **United States Design Patent**  
**Acevedo et al.**

(10) **Patent No.:** **US D489,547 S**

(45) **Date of Patent:** **\*\* May 11, 2004**

(54) **APPLIANCE STAND**

D454,731 S \* 3/2002 Niitsu ..... D6/479

(75) Inventors: **Mario Acevedo**, Phoenix, AZ (US);  
**Hirokazu Goto**, Trnava (SK); **Brian Kim**, San Diego, CA (US)

**OTHER PUBLICATIONS**

Sony Catalog, SU-36HD Stand, p. 27, Feb. 2001.\*

(73) Assignees: **Sony Corporation**, Tokyo (JP); **Sony Electronics, Inc.**, Park Ridge, NJ (US)

\* cited by examiner

(\*\*) Term: **14 Years**

*Primary Examiner*—Cathron C. Brooks  
(74) *Attorney, Agent, or Firm*—Steven L. Nichols; Rader, Fishman & Grauer PLLC

(21) Appl. No.: **29/162,574**

(22) Filed: **Jun. 18, 2002**  
(Under 37 CFR 1.47)

(57) **CLAIM**

The ornamental design for an “appliance stand”, as shown and described.

**Related U.S. Application Data**

**DESCRIPTION**

(63) Continuation-in-part of application No. 29/070,700, filed on Mar. 31, 2001, now abandoned, and a continuation-in-part of application No. 29/139,503, filed on Mar. 30, 2001, now abandoned.

A portion of the disclosure of this patent document contains material which is subject to copyright protection. The copyright owner has no objection to the facsimile reproduction by anyone of the patent document or patent disclosure, as it appears in the Patent Trademark Office patent file or records, but otherwise reserves all copyright rights whatsoever.

(51) **LOC (7) Cl.** ..... **06-04**

(52) **U.S. Cl.** ..... **D6/477**

(58) **Field of Search** ..... D6/396, 397, 630, D6/410, 411, 436, 437, 438, 476-479, 569, 570, 571; 108/28, 59-61, 91-93, 149, 157.1, 158.11, 180; 211/10, 11, 34, 36, 37, 90.04, 134, 153, 175, 186, 188; 312/7.2, 9.48, 196, 278-281

FIG. 1 is a front perspective view of an “appliance stand,” showing our new design;

FIG. 2 is a top perspective view thereof;

FIG. 3 is a left perspective view thereof; and,

FIG. 4 is a left side elevation view thereof.

(56) **References Cited**

**U.S. PATENT DOCUMENTS**

D427,459 S \* 7/2000 Druebbisch ..... D6/479

**1 Claim, 4 Drawing Sheets**

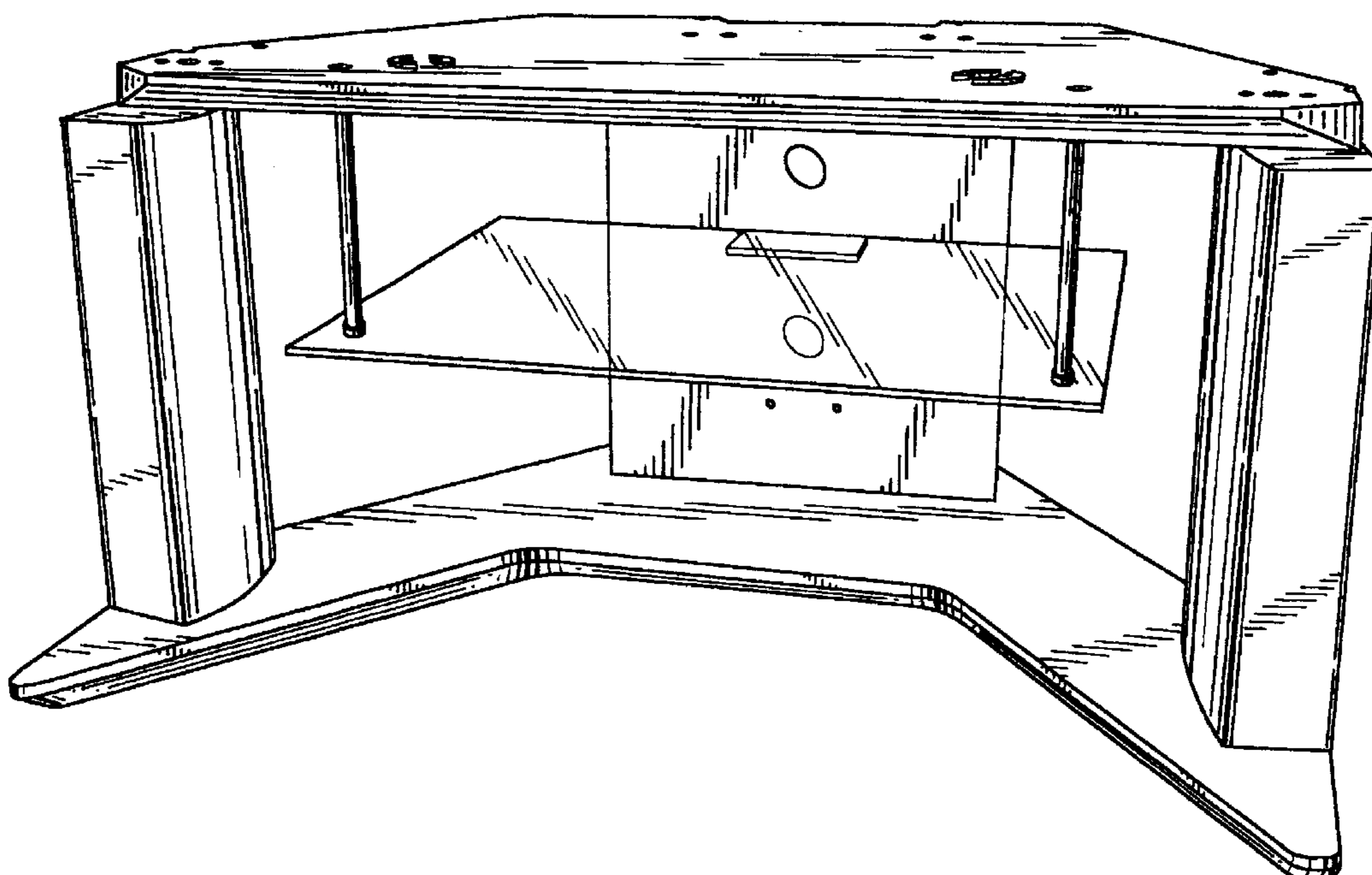


FIG. 1

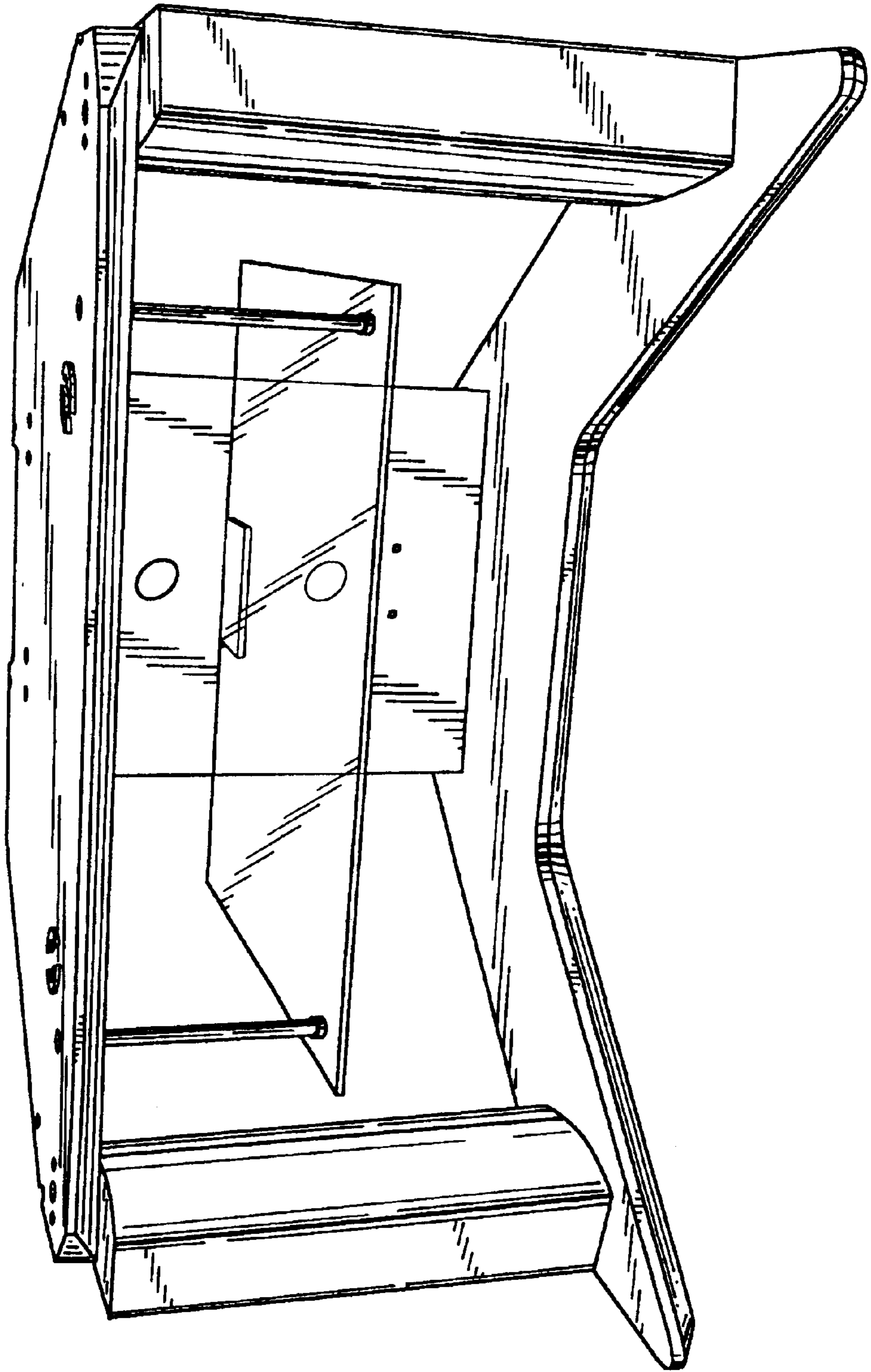


FIG. 2

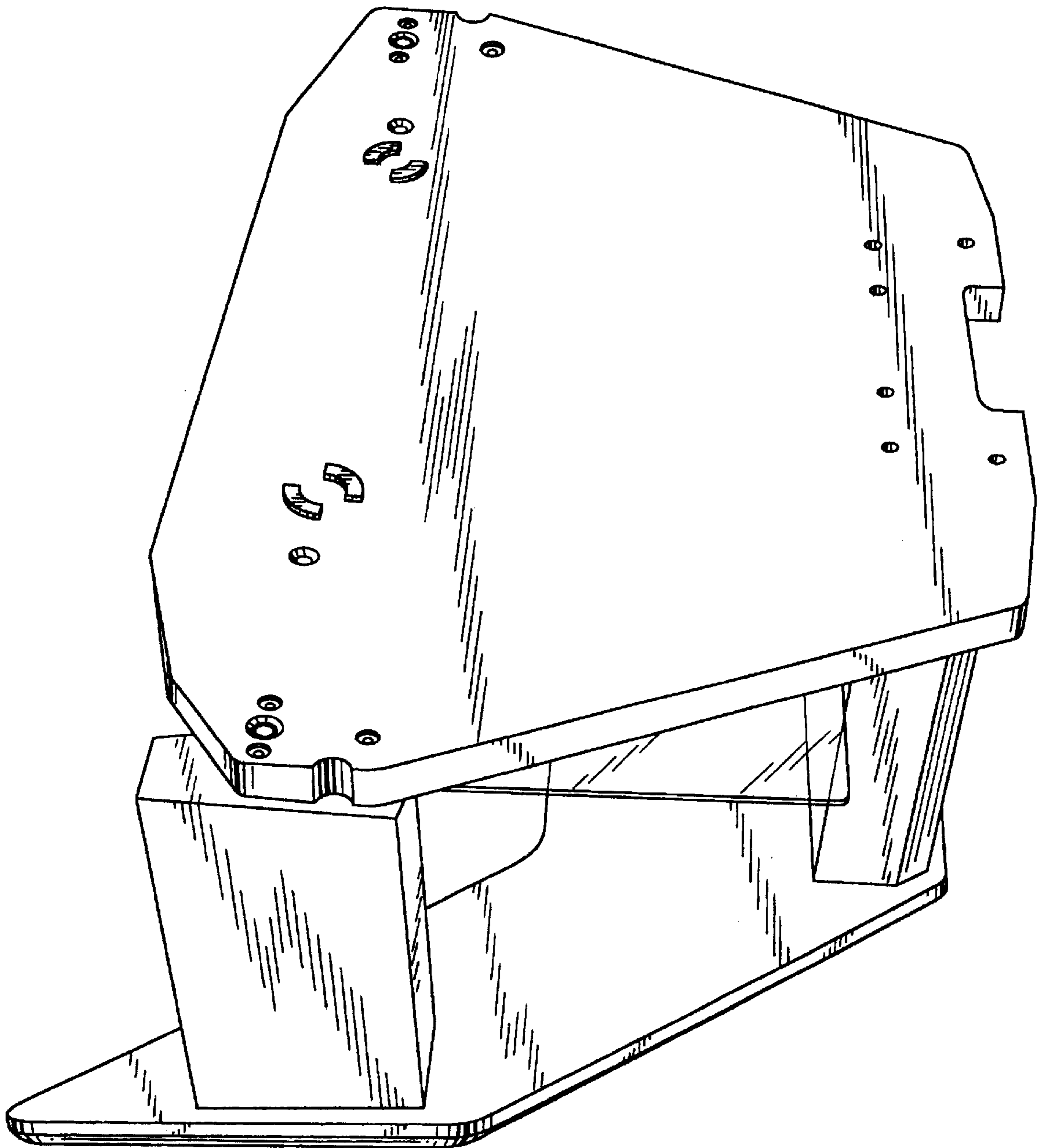


FIG. 3

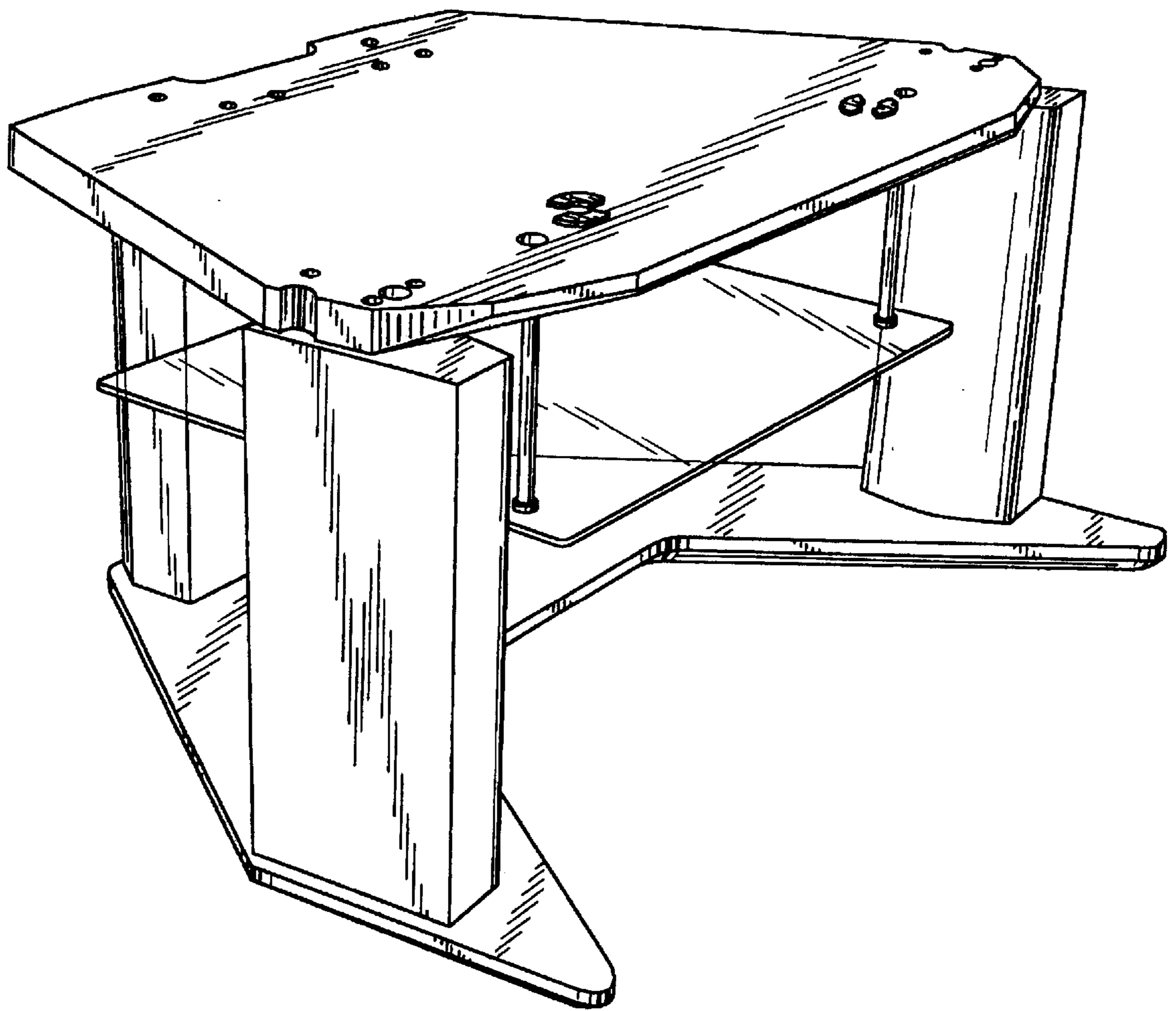


FIG. 4

