



US00D489543S

(12) **United States Design Patent**
Homestead

(10) **Patent No.:** **US D489,543 S**

(45) **Date of Patent:** **** May 11, 2004**

(54) **CHAIR**

D452,082 S * 12/2001 Plier D6/375

(75) Inventor: **Peter W. Homestead**, Mission Viejo,
CA (US)

* cited by examiner

Primary Examiner—Gary D. Watson

(73) Assignee: **Tropitone Furniture Co., Inc.**, Irvine,
CA (US)

(74) *Attorney, Agent, or Firm*—Knobbe, Martens, Olson &
Bear, LLP

(**) Term: **14 Years**

(57) **CLAIM**

The ornamental design for a chair, as shown and described.

(21) Appl. No.: **29/164,098**

DESCRIPTION

(22) Filed: **Jul. 16, 2002**

(51) **LOC (7) Cl.** **06-01**

(52) **U.S. Cl.** **D6/375; D6/369; D6/376**

(58) **Field of Search** D6/334, 369, 374,
D6/375, 376, 379, 500, 501, 502; 297/445.1,
446.1, 451.9, 452.64

FIG. 1 is a front perspective view of the chair of the present invention;

FIG. 2 is a left-side perspective view thereof;

FIG. 3 is a right-side perspective view thereof;

FIG. 4 is a rear perspective view thereof;

FIG. 5 is a top plan view thereof; and,

FIG. 6 is a bottom perspective view thereof.

The fragmented depiction of a weave pattern on the seat and backrest is understood to repeat uniformly throughout the circumscribed areas.

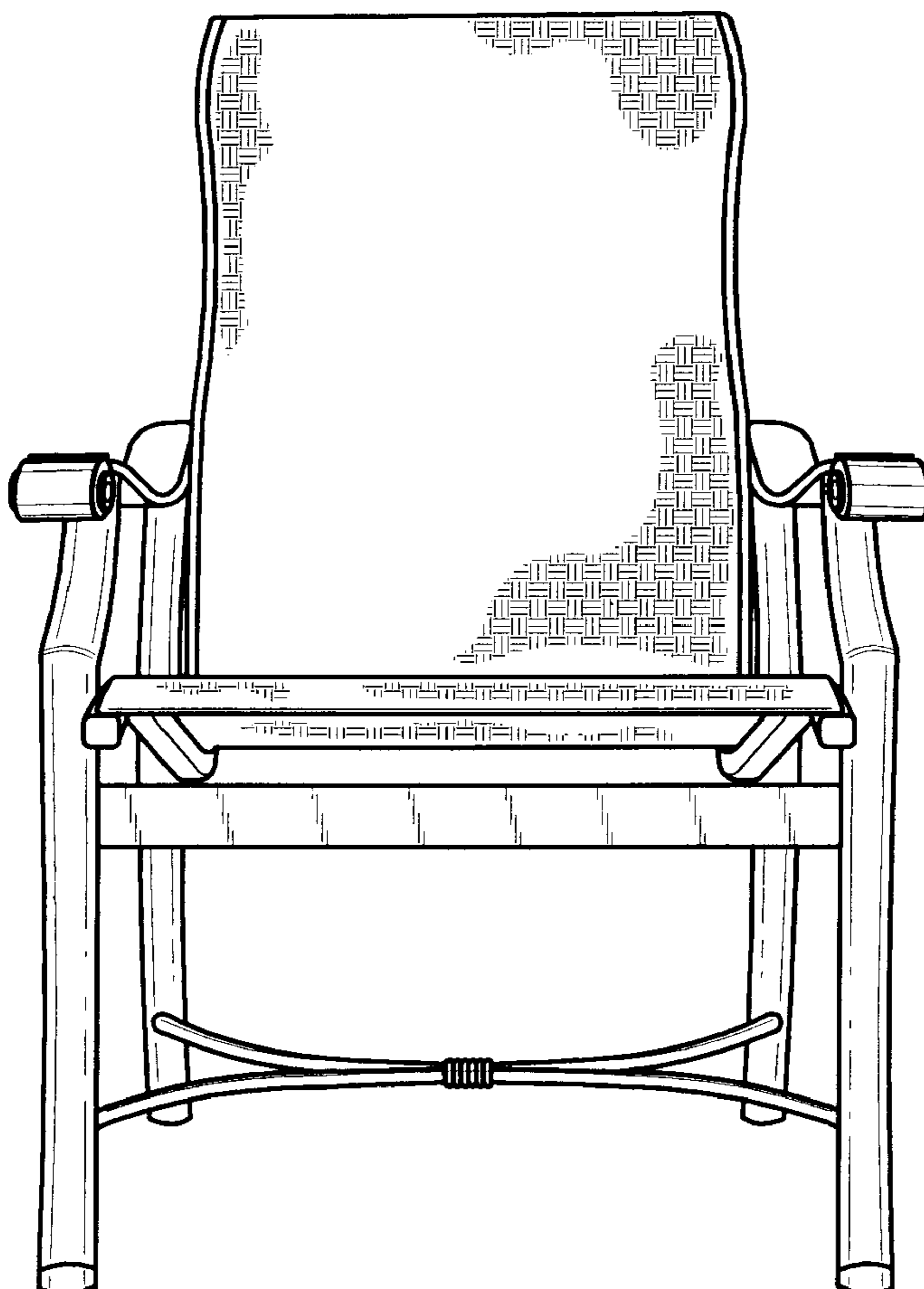
(56) **References Cited**

U.S. PATENT DOCUMENTS

D442,383 S * 5/2001 Bell D6/375

D448,188 S * 9/2001 Caldwell D6/370

1 Claim, 2 Drawing Sheets



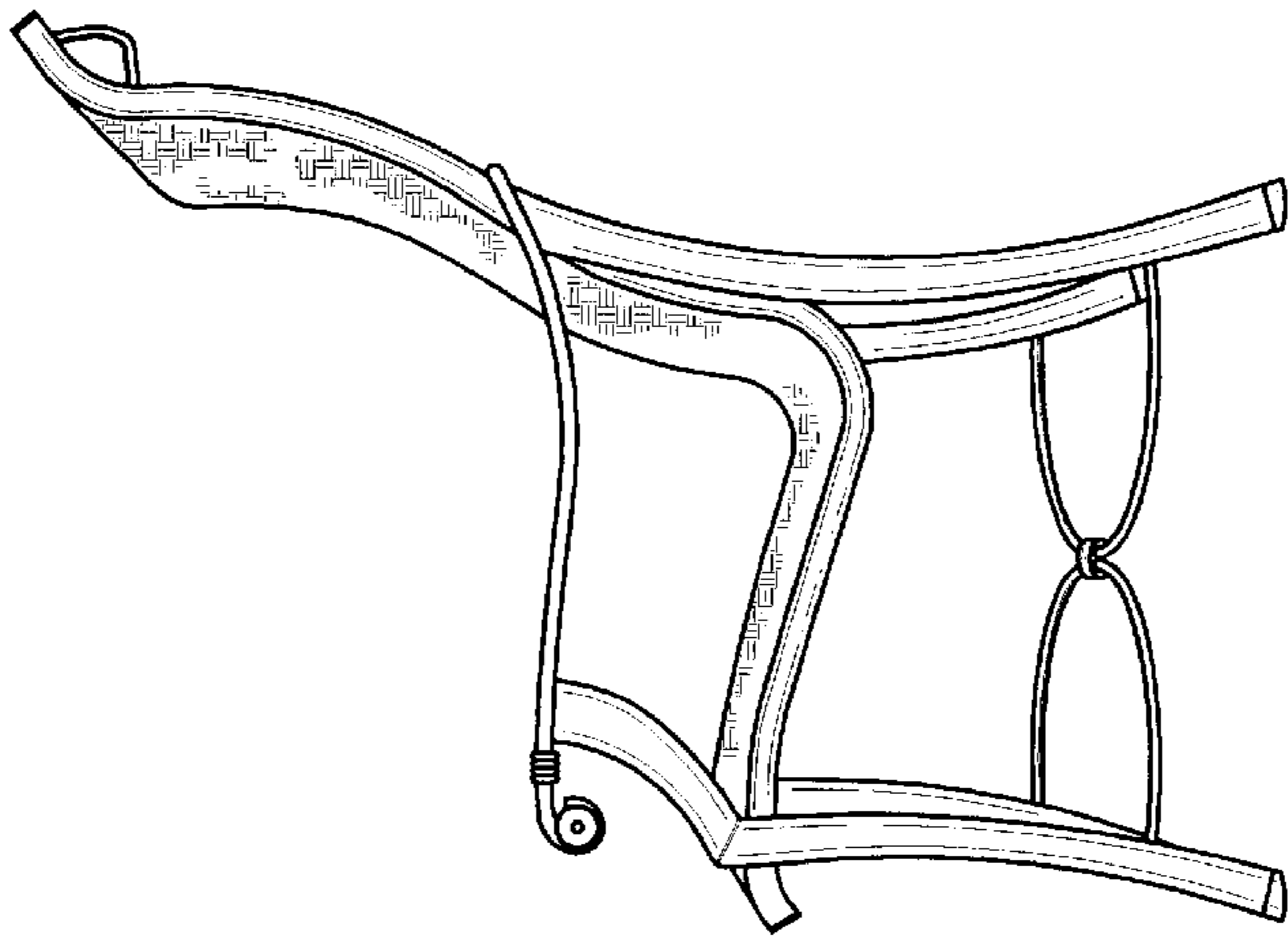


FIG. 3

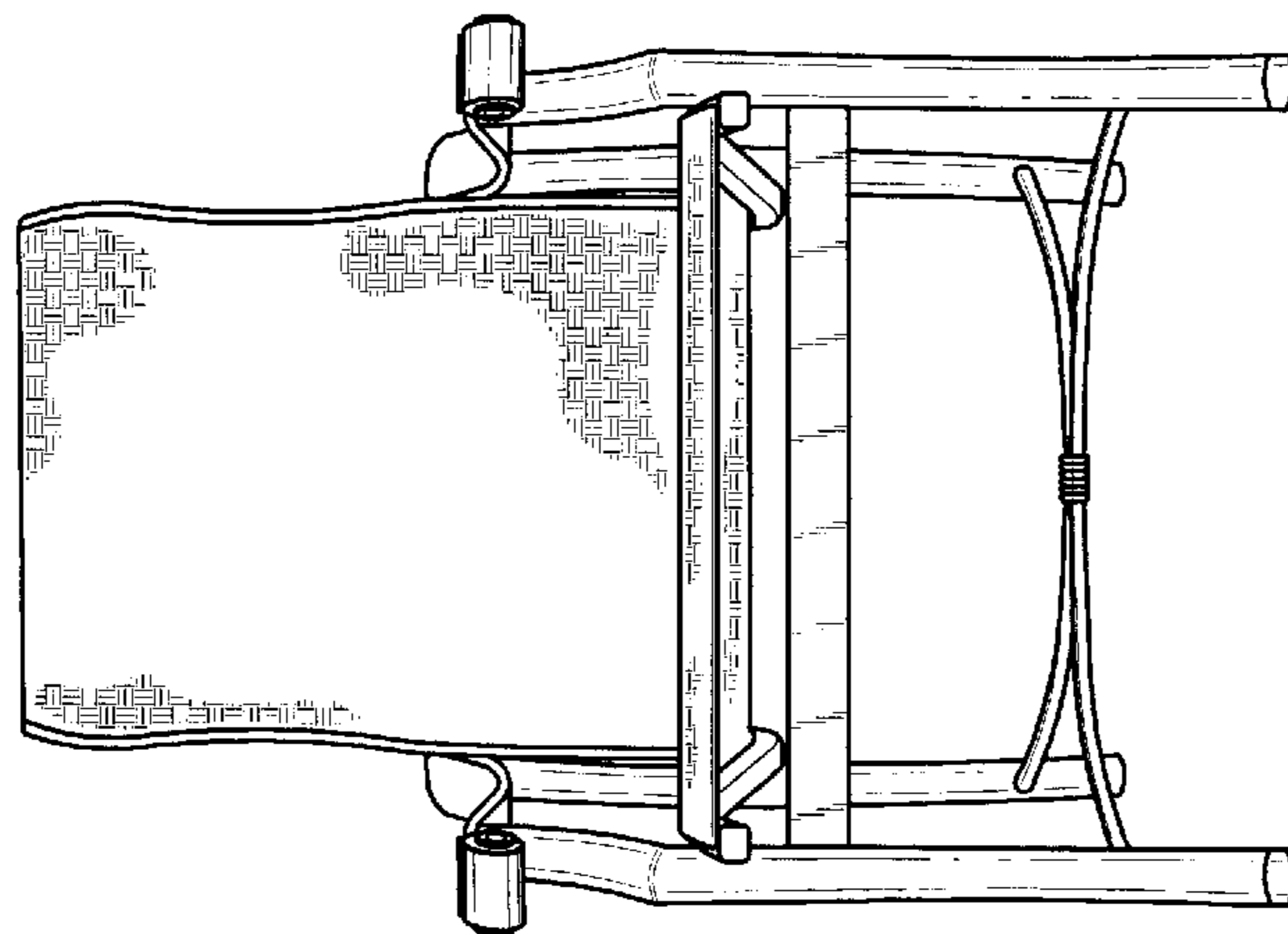


FIG. 1

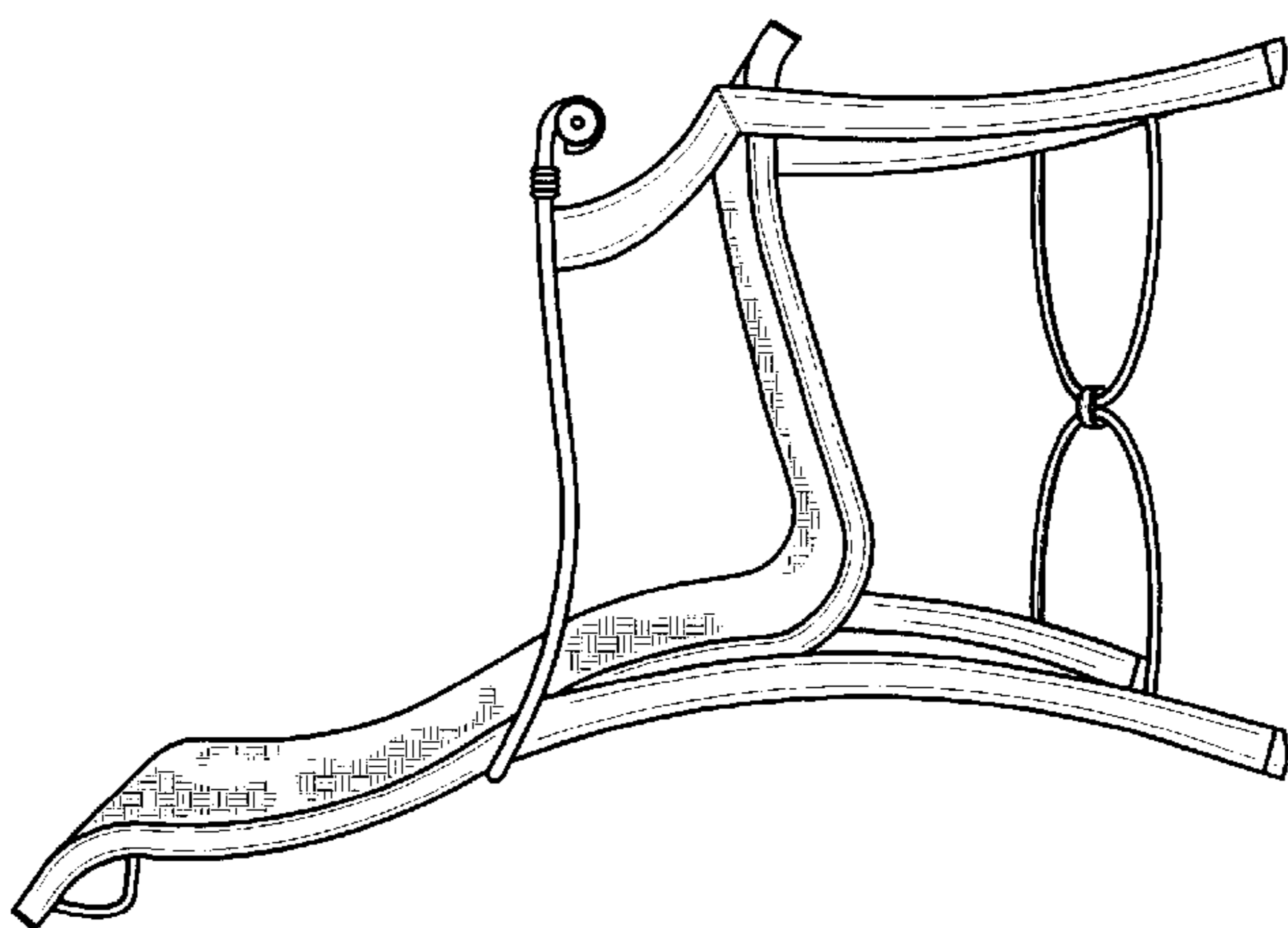


FIG. 2

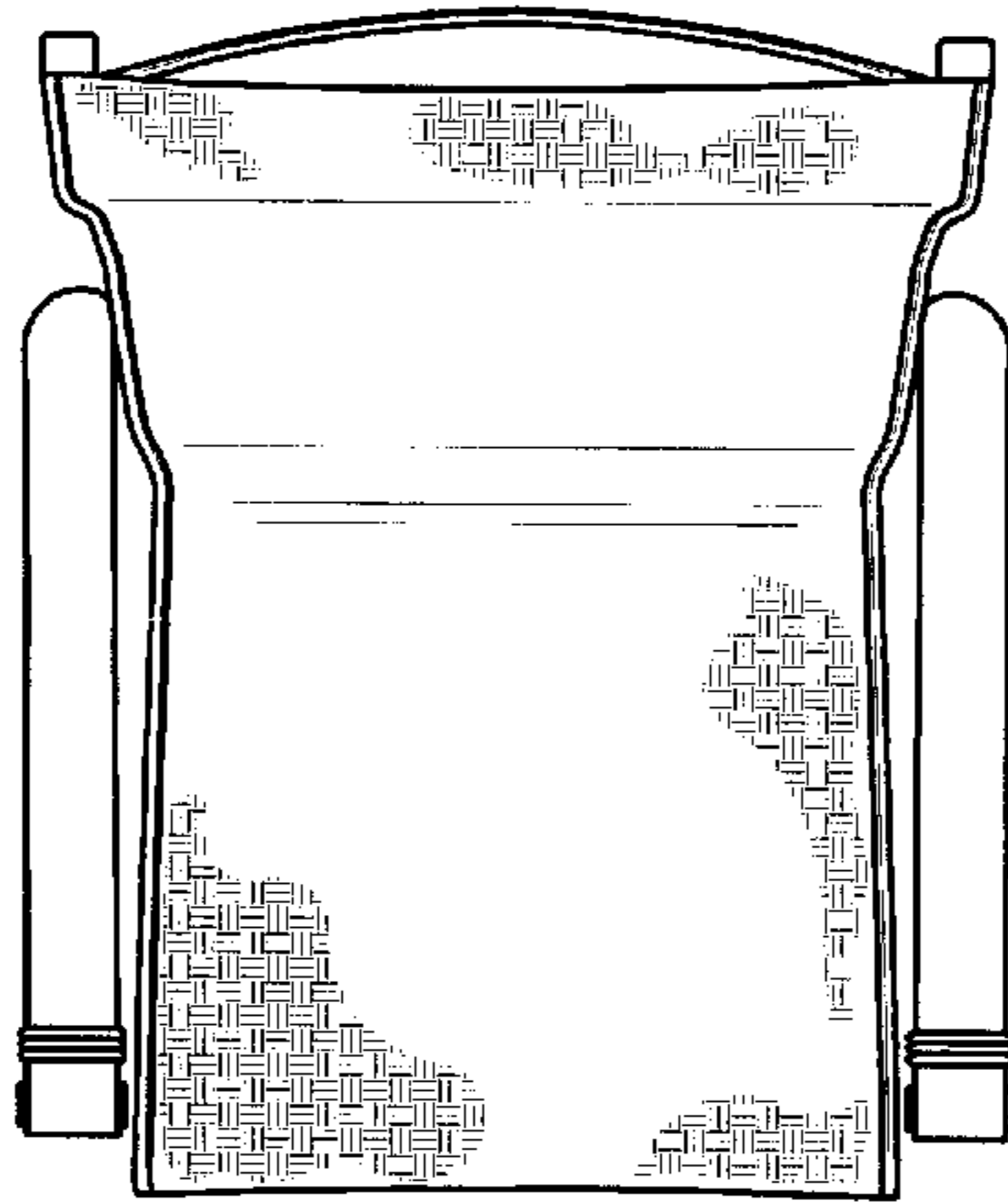


FIG. 5

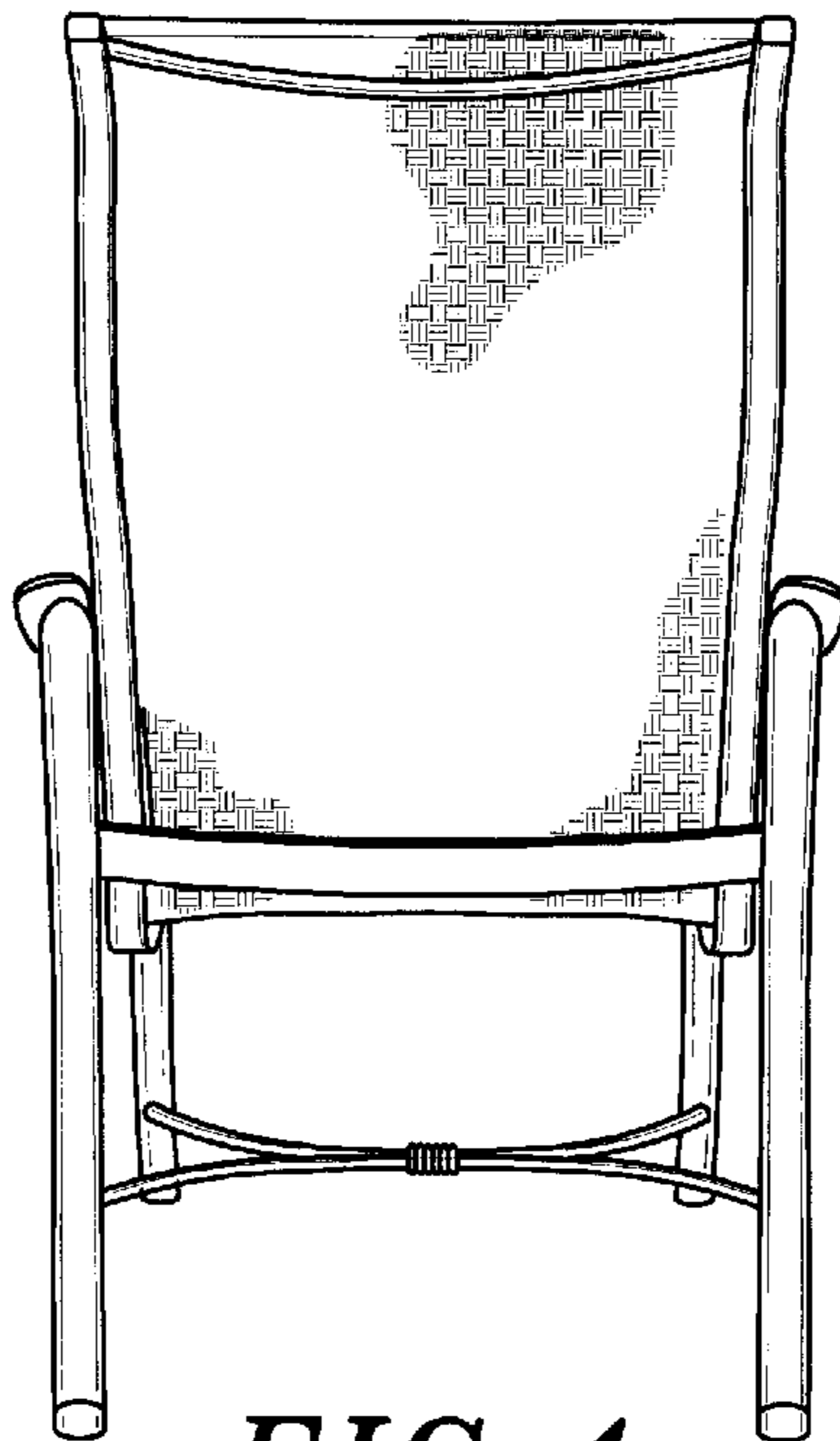


FIG. 4

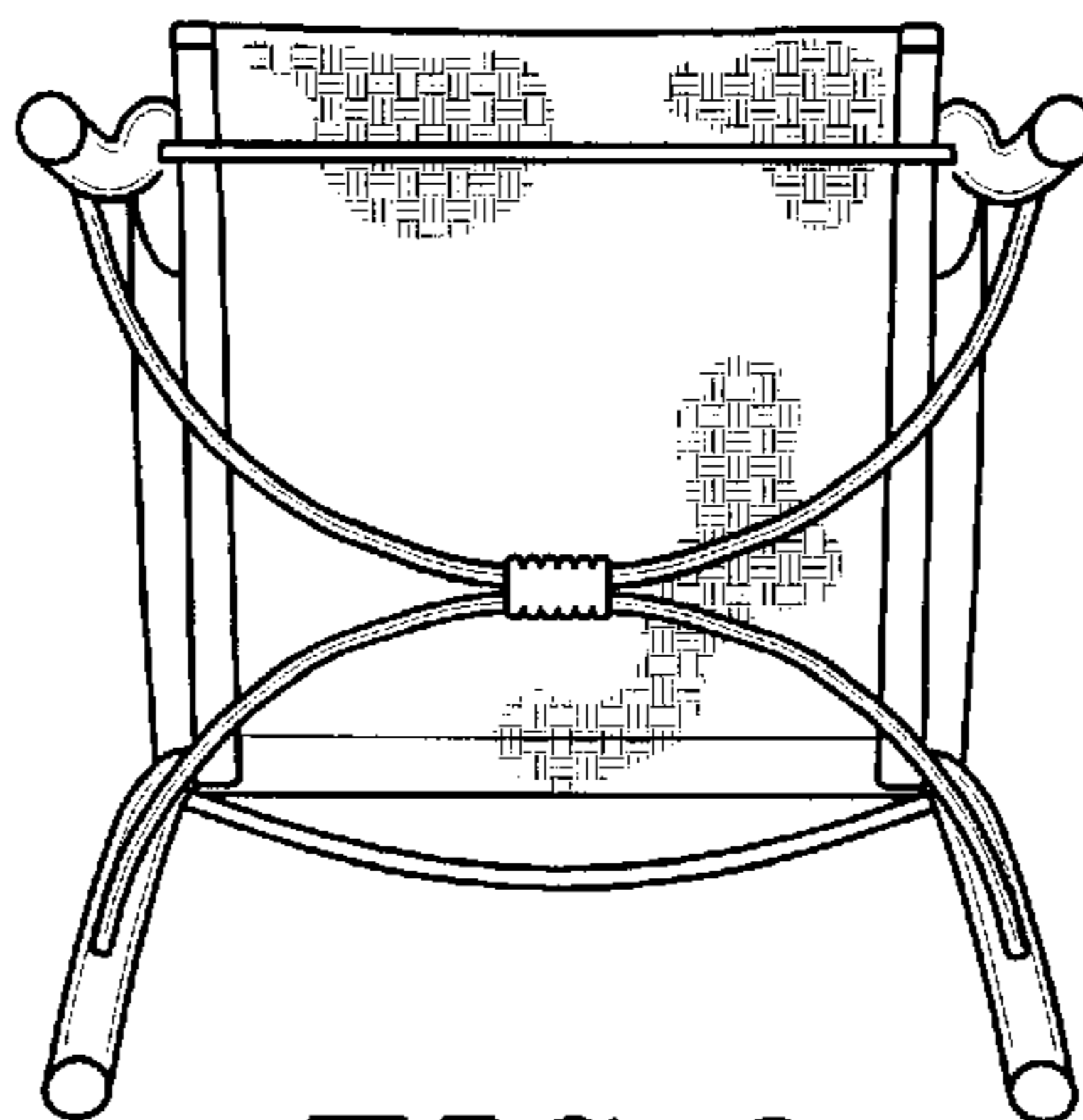


FIG. 6