



US00D489541S

(12) **United States Design Patent**
Su

(10) **Patent No.:** **US D489,541 S**

(45) **Date of Patent:** **** May 11, 2004**

(54) **CHAIR**

(76) **Inventor:** **Tung-Hua Su**, No. 6, Sec. 3, Bao Ta Road, Kuwi Jen Hsiang, Tainan Hsien (TW)

(**) **Term:** **14 Years**

(21) **Appl. No.:** **29/171,941**

(22) **Filed:** **Dec. 2, 2002**

(51) **LOC (7) Cl.** **06-01**

(52) **U.S. Cl.** **D6/366**

(58) **Field of Search** D6/334, 364, 365, D6/366, 367, 500, 501, 502; 297/411.2, 411.27, 411.36

(56) **References Cited**

U.S. PATENT DOCUMENTS

D362,973 S	*	10/1995	Schultz	D6/366
D398,464 S	*	9/1998	Cronk	D6/500
D399,664 S	*	10/1998	Goodworth et al.	D6/366

D445,613 S	*	7/2001	Ginat	D6/500
D453,079 S	*	1/2002	Ma	D6/366
D456,159 S	*	4/2002	Ball et al.	D6/366

* cited by examiner

Primary Examiner—Gary D. Watson
(74) *Attorney, Agent, or Firm*—Charles E. Baxley

(57) **CLAIM**

The ornamental design for a chair, as shown.

DESCRIPTION

FIG. 1 is a perspective view of a chair showing my new design;
FIG. 2 is a front elevation view thereof;
FIG. 3 is a rear elevation view thereof;
FIG. 4 is a left side elevation view thereof;
FIG. 5 is a right side elevation view thereof;
FIG. 6 is a top plan view thereof; and,
FIG. 7 is a bottom plan view thereof.

1 Claim, 6 Drawing Sheets

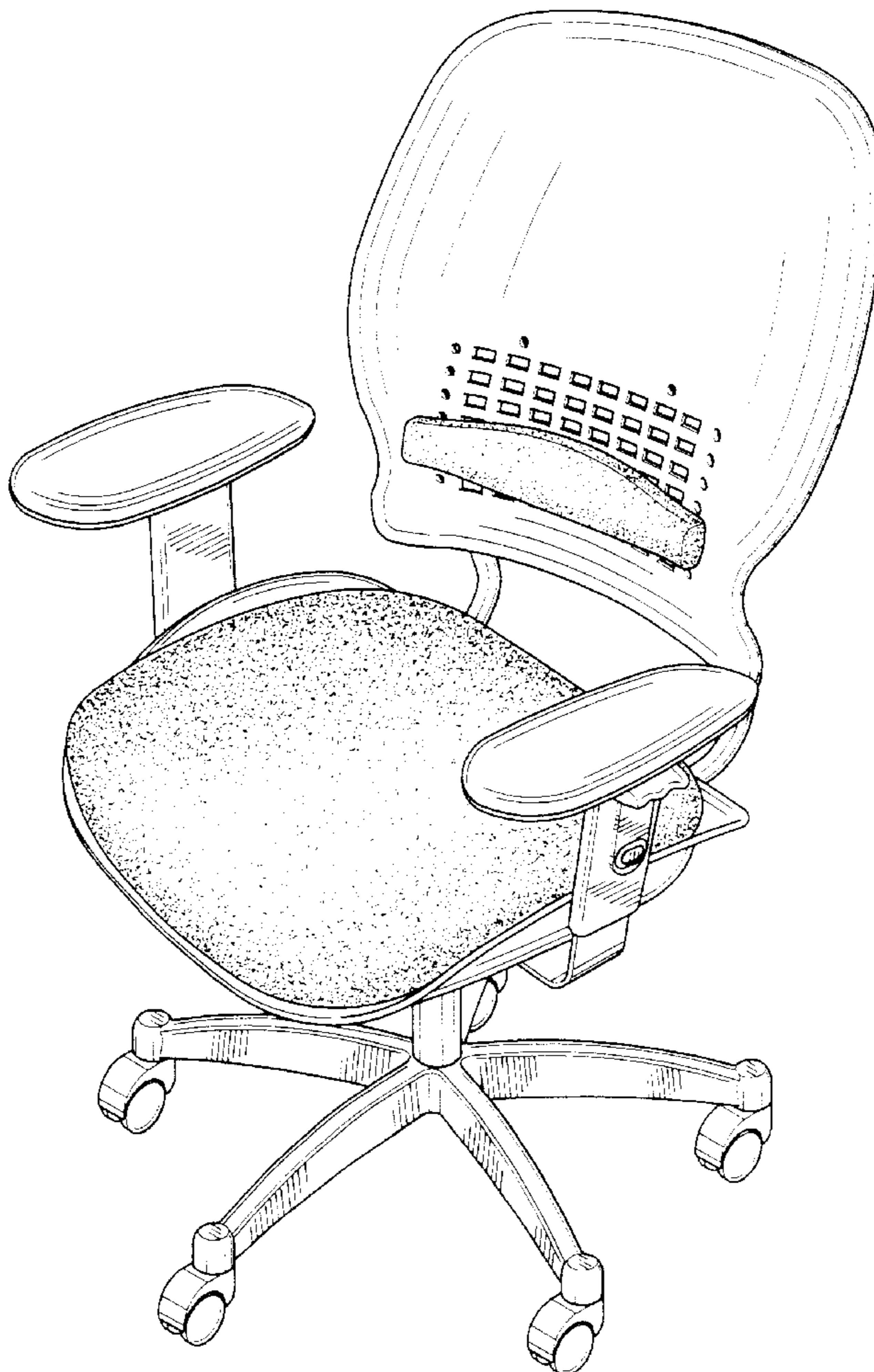




FIG. 1

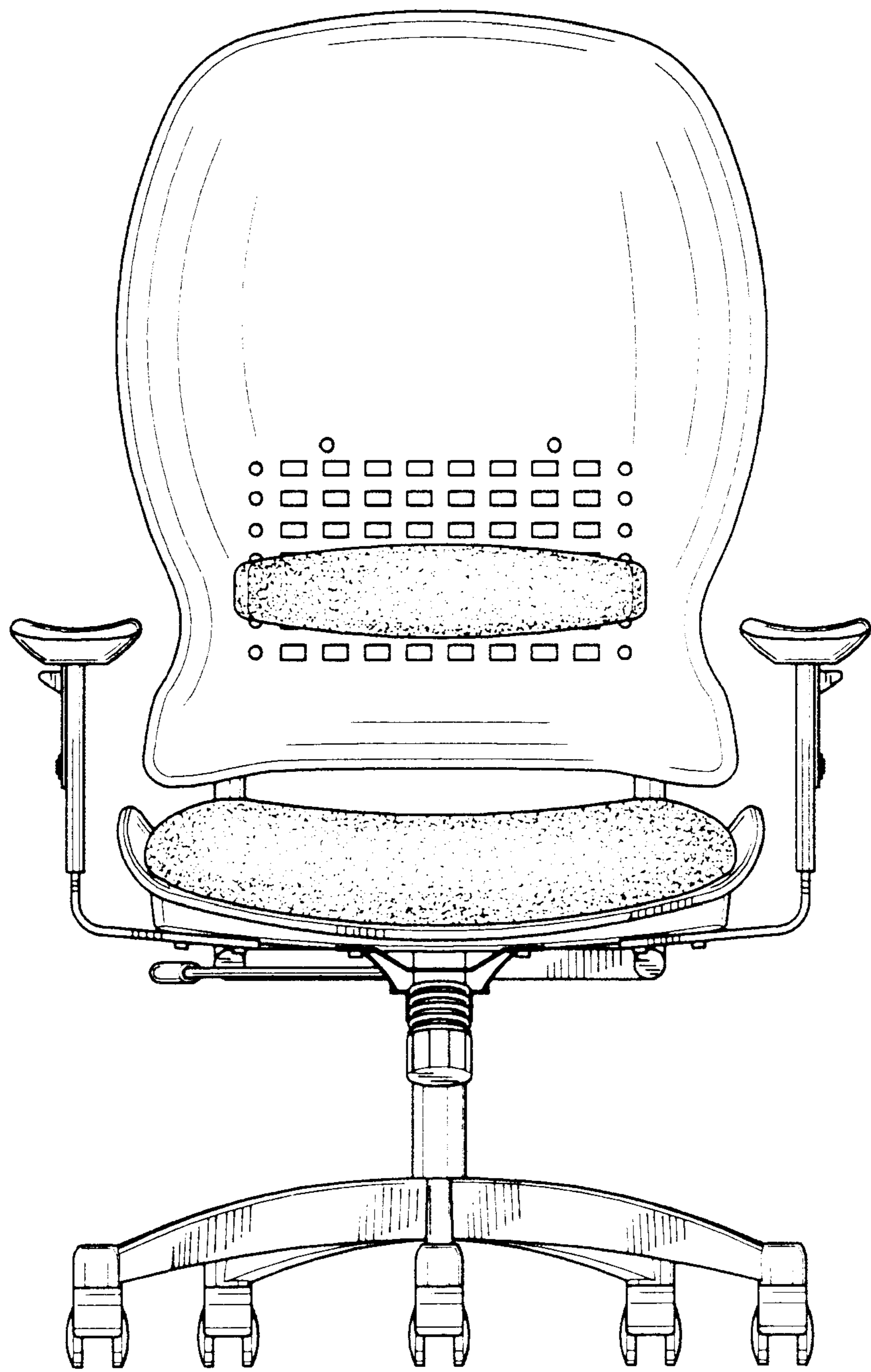


FIG. 2

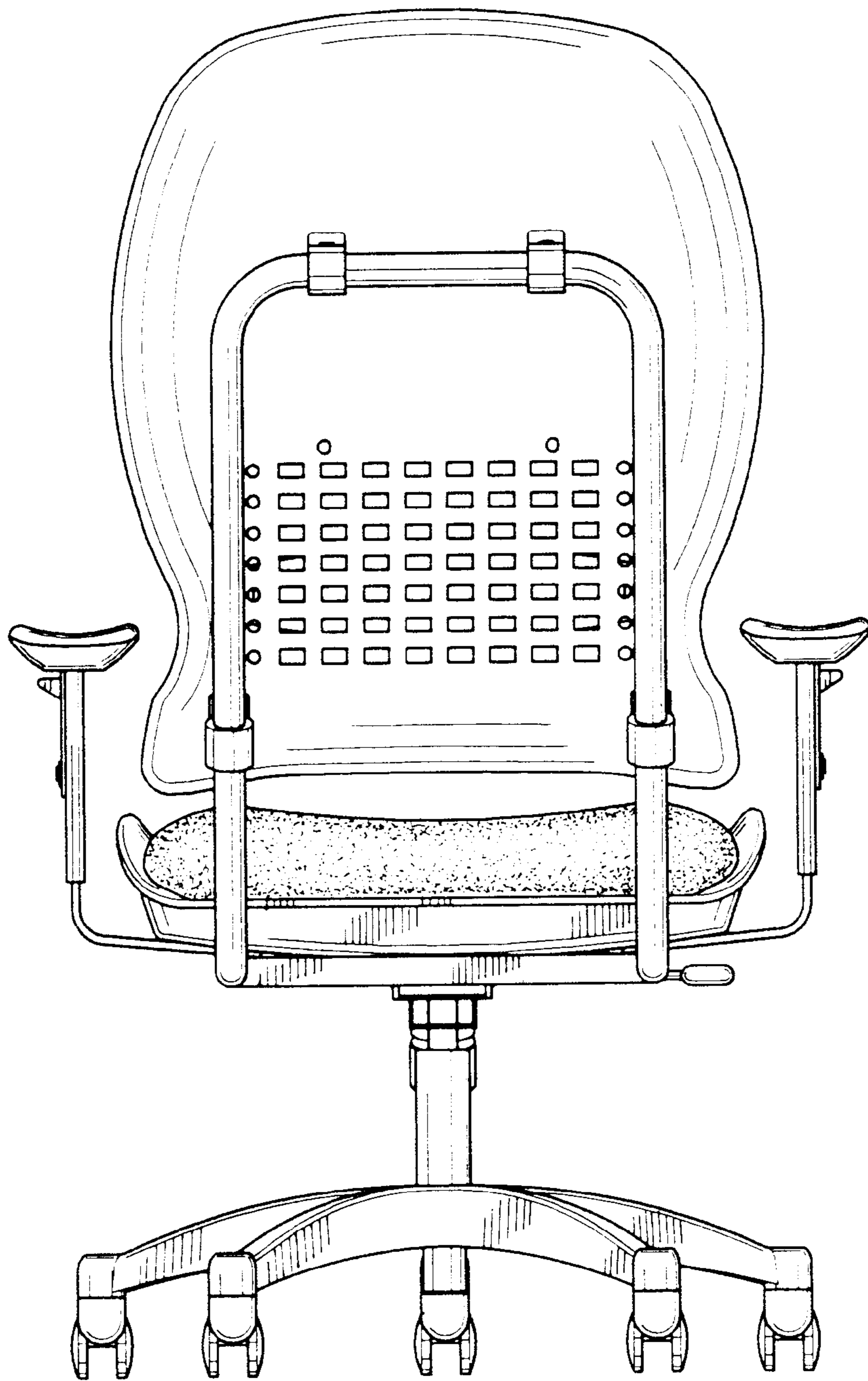


FIG. 3

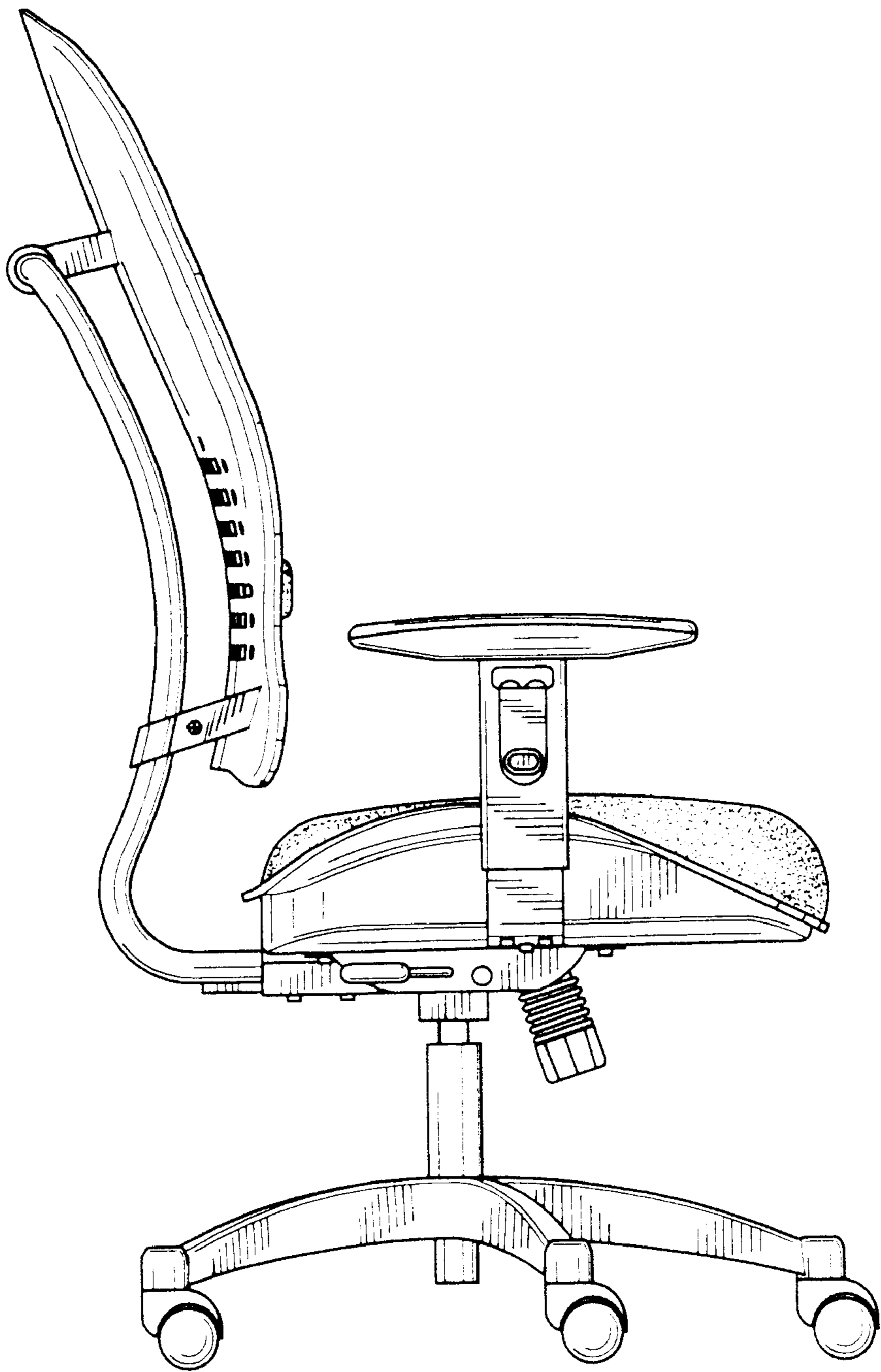


FIG. 4

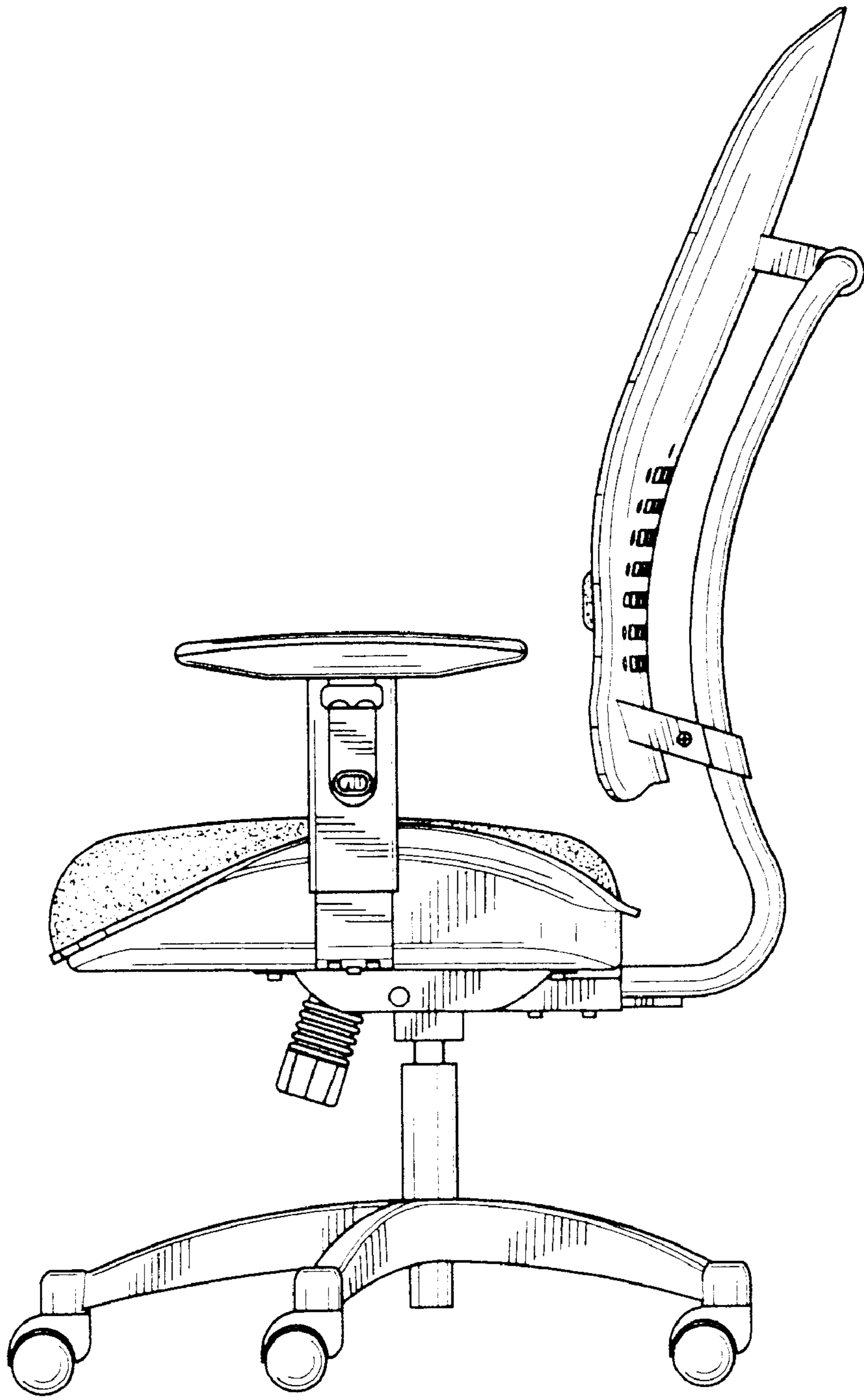


FIG. 5

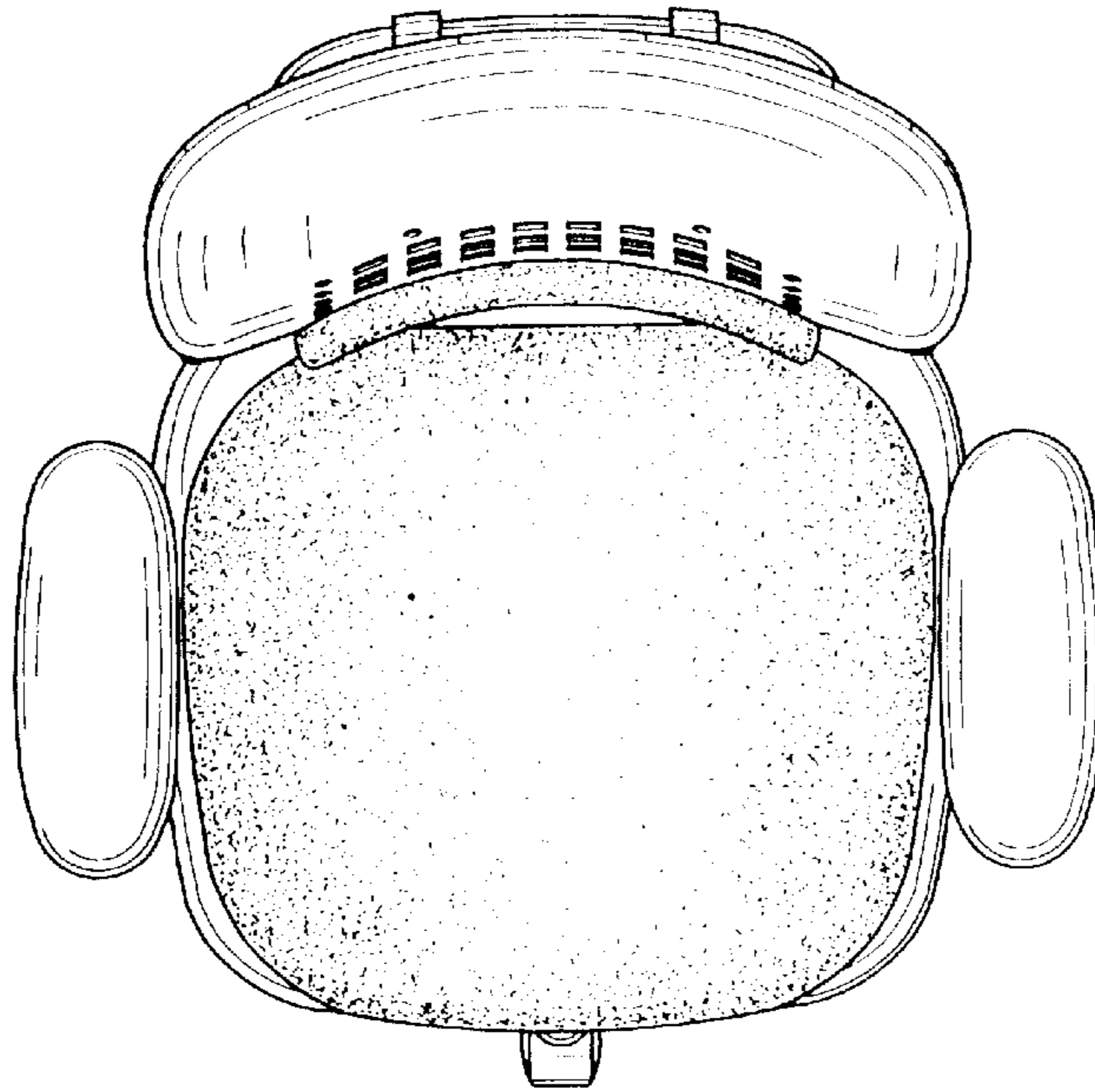


FIG. 6

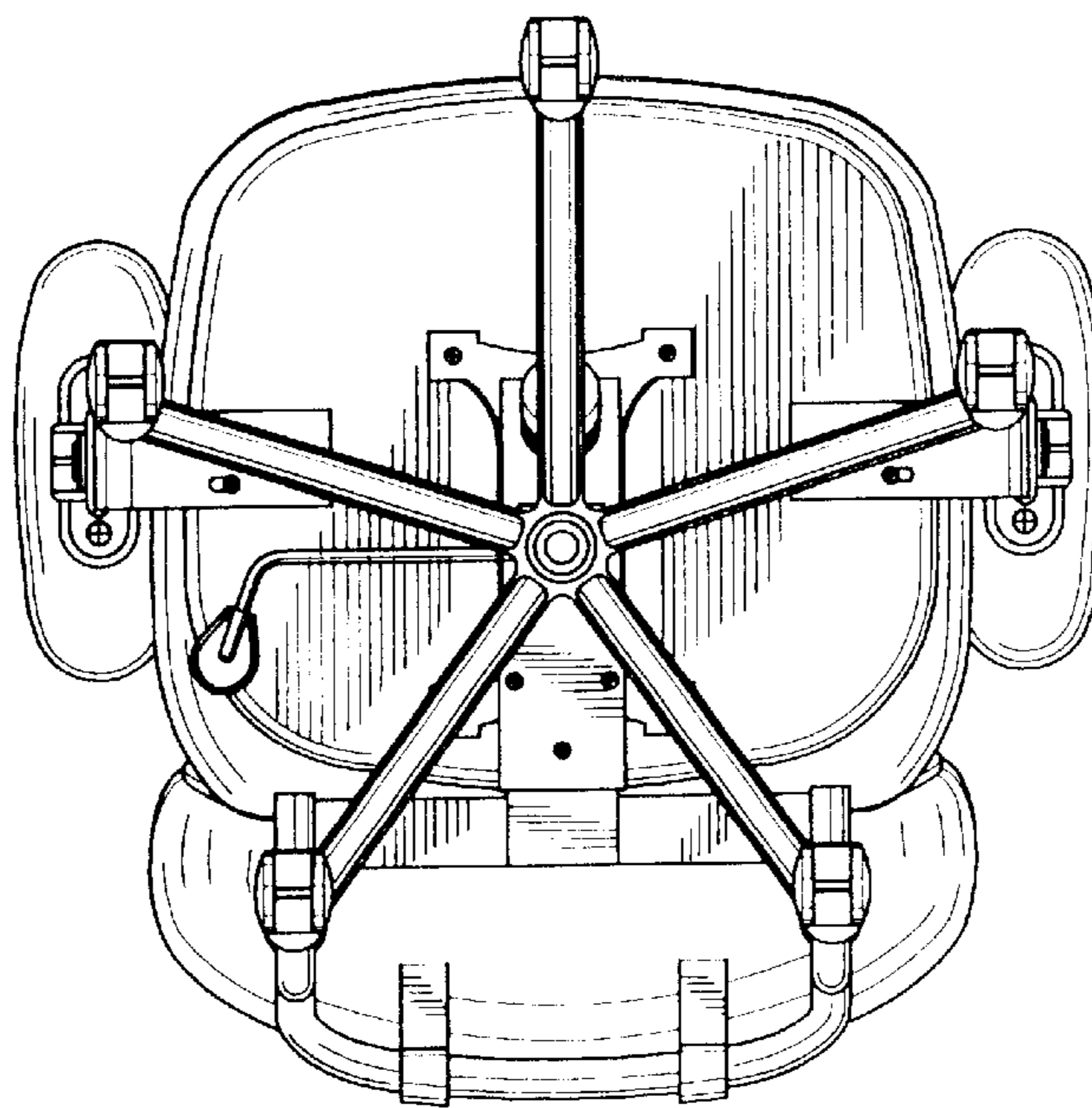


FIG. 7