



US00D489530S

(12) **United States Design Patent**
Lindsay

(10) **Patent No.:** **US D489,530 S**

(45) **Date of Patent:** **** May 11, 2004**

(54) **CONTAINER WITH REMOVABLE LID**

(76) Inventor: **Brendan Jon Lindsay**, 11A Burwood Crescent, Remuera, Ackland (NZ)

(**) Term: **14 Years**

(21) Appl. No.: **29/173,027**

(22) Filed: **Dec. 23, 2002**

(51) **LOC (7) Cl.** **03-01**

(52) **U.S. Cl.** **D3/302; D3/273**

(58) **Field of Search** **D3/272, 273, 302; D9/423, 424, 425; 206/501, 508, 518, 515; 220/324, 810, 837, 796, 214**

(56) **References Cited**

U.S. PATENT DOCUMENTS

4,625,885	A	*	12/1986	Nichols	220/214
5,065,885	A	*	11/1991	Scaroni	220/326
D363,669	S	*	10/1995	Pennoyer, Jr.	D9/423
D378,552	S	*	3/1997	Lippisch	D3/273
D381,512	S	*	7/1997	Green	D3/294
D408,631	S	*	4/1999	Dickinson et al.	D3/302
D421,901	S	*	3/2000	Hill	D9/423
D427,769	S	*	7/2000	Zimmerman	D3/302
D437,686	S	*	2/2001	Balzar et al.	D3/302
D439,406	S	*	3/2001	Zimmerman	D3/273
D452,374	S	*	12/2001	Kim	D3/302

* cited by examiner

Primary Examiner—Philip S. Hyder

(74) *Attorney, Agent, or Firm*—Jacobson Holman PLLC

(57) **CLAIM**

The ornamental design for a container with removable lid, as shown and described.

DESCRIPTION

FIG. 1 is a front view of the container with a removable lid showing my new design for a container with removable lid, the rear view being a mirror image thereof,

FIG. 2 is a right side view thereof, the left side view being a mirror image thereof,

FIG. 3 is a plan view thereof,

FIG. 4 is a bottom view thereof,

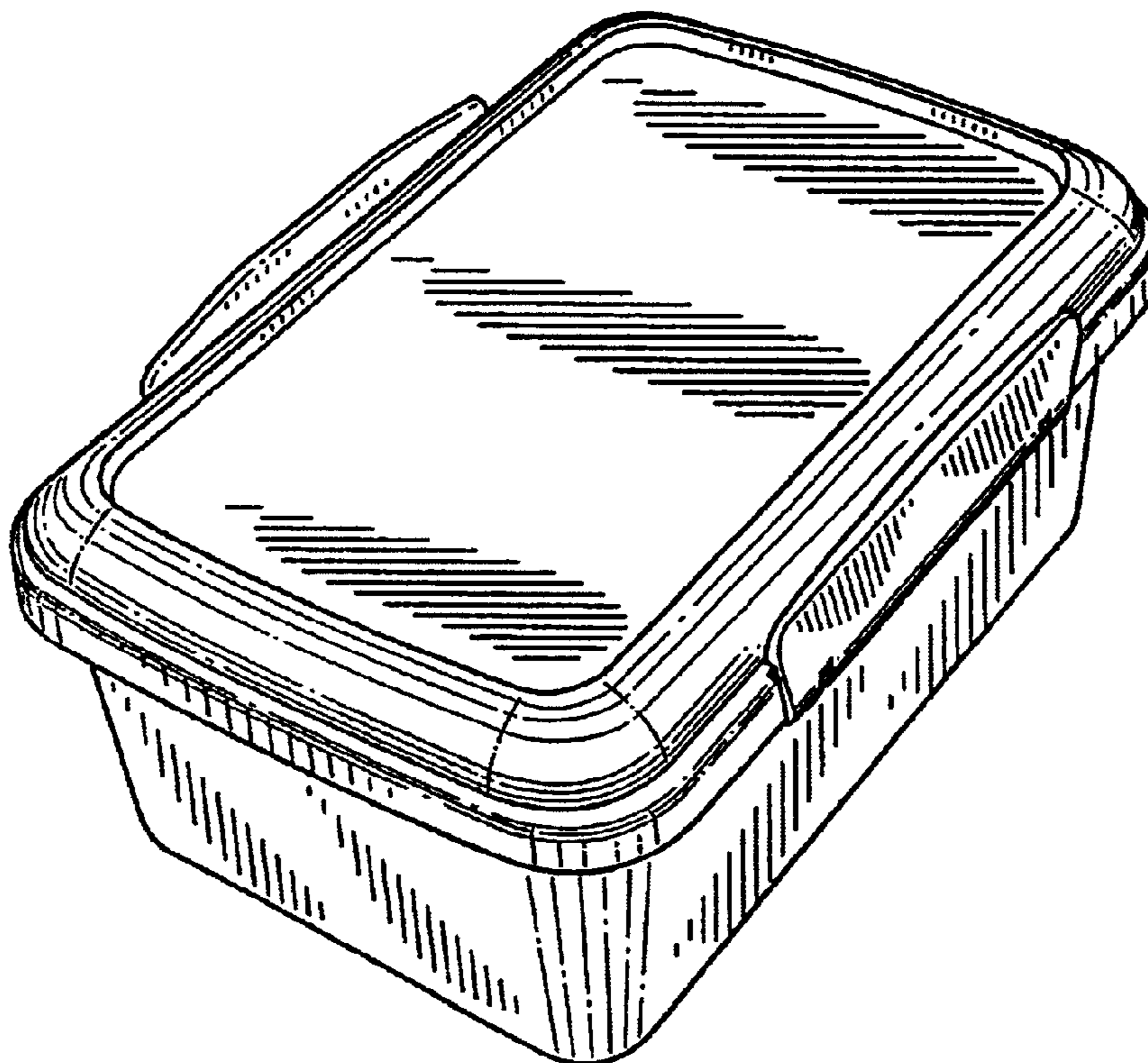
FIG. 5 is a front view of the container with lid removed and the clamp opened, the rear view being a mirror image thereof,

FIG. 6 is a front view of the lid with container removed, the rear view being a mirror image thereof,

FIG. 7 is an exploded front view of the container and lid, the rear view being a mirror image thereof; and,

FIG. 8 is a perspective view of the container and lid as shown in FIGS. 1 through 4.

1 Claim, 8 Drawing Sheets



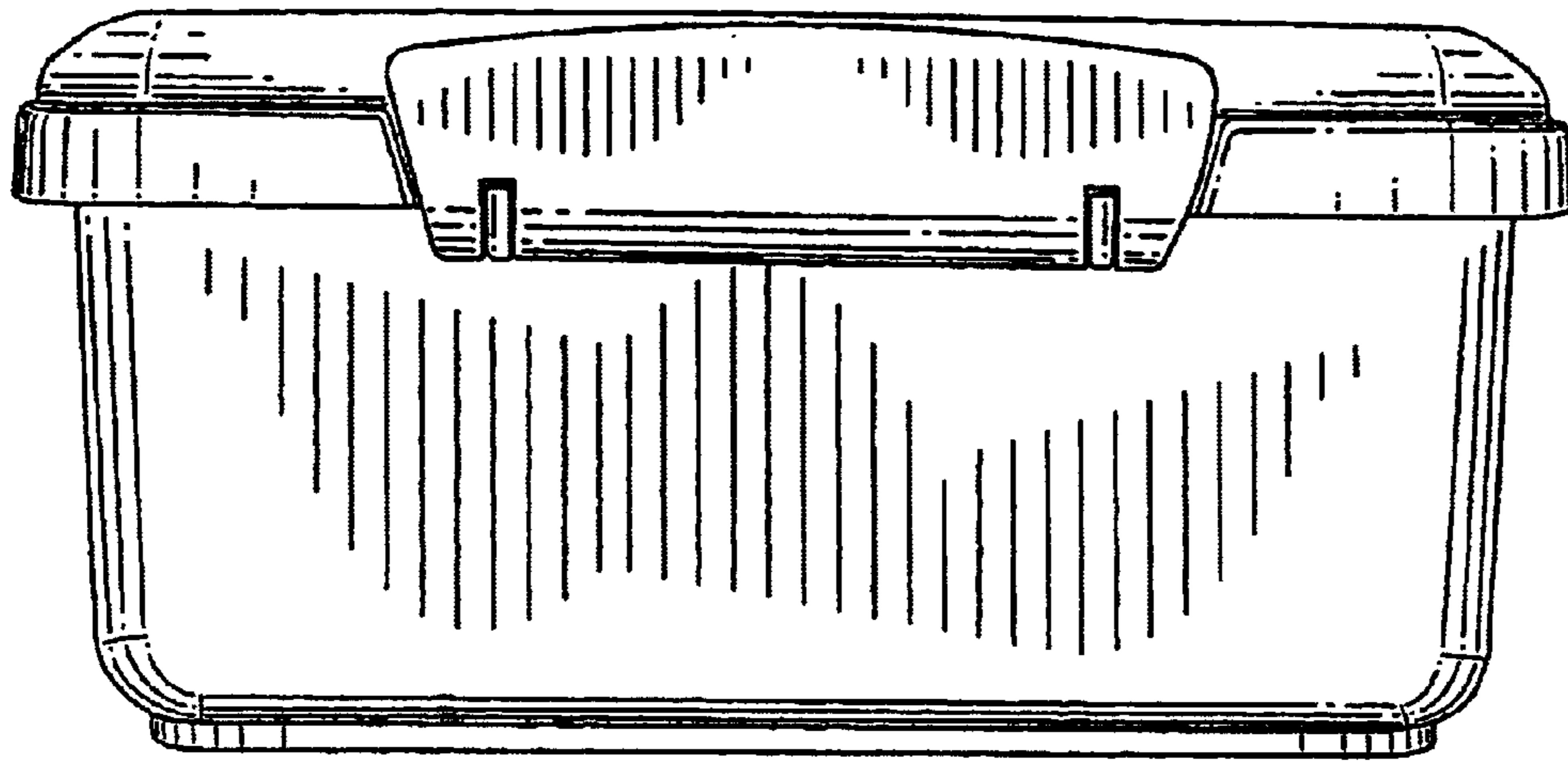


FIGURE 1

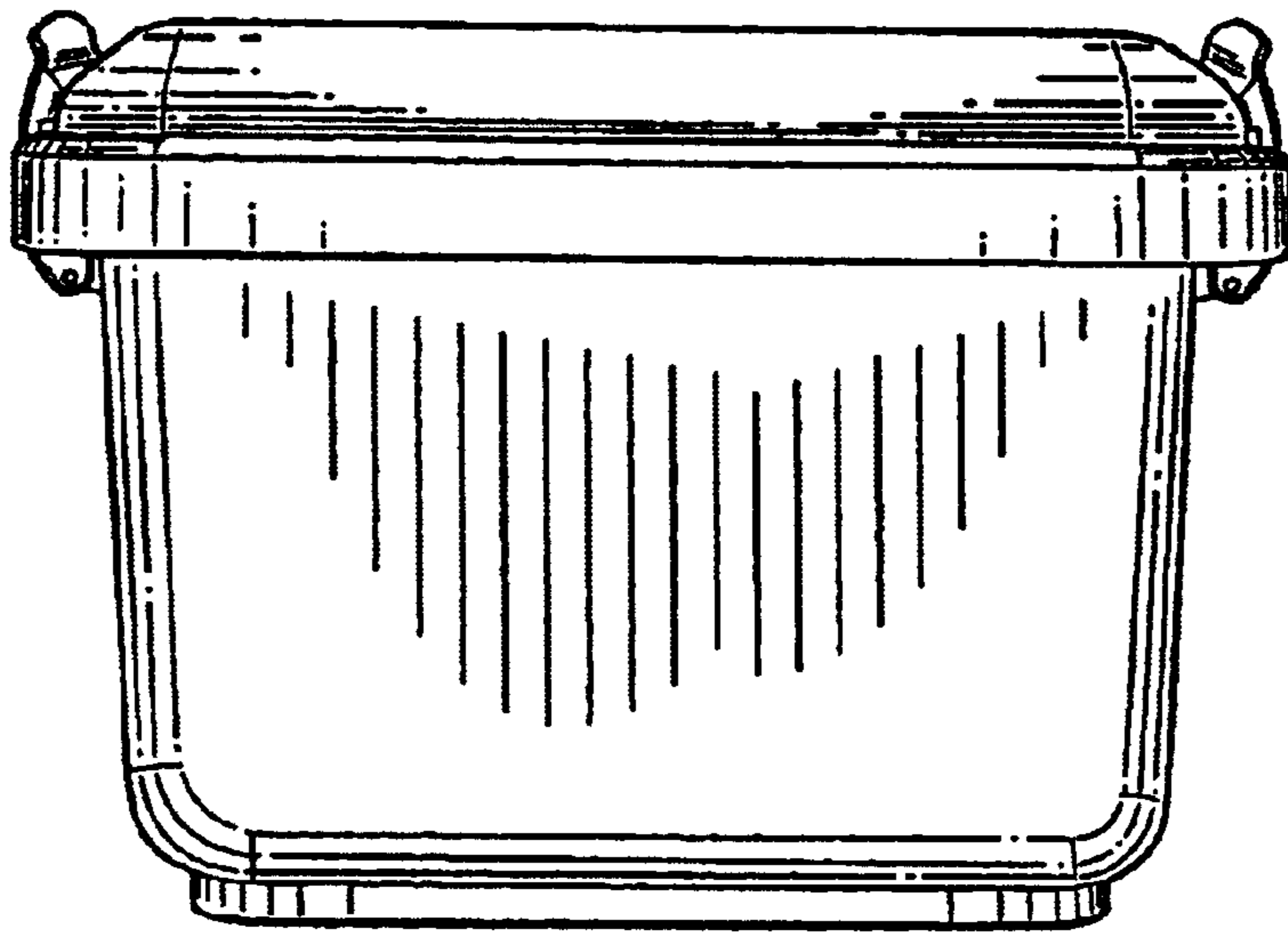


FIGURE 2

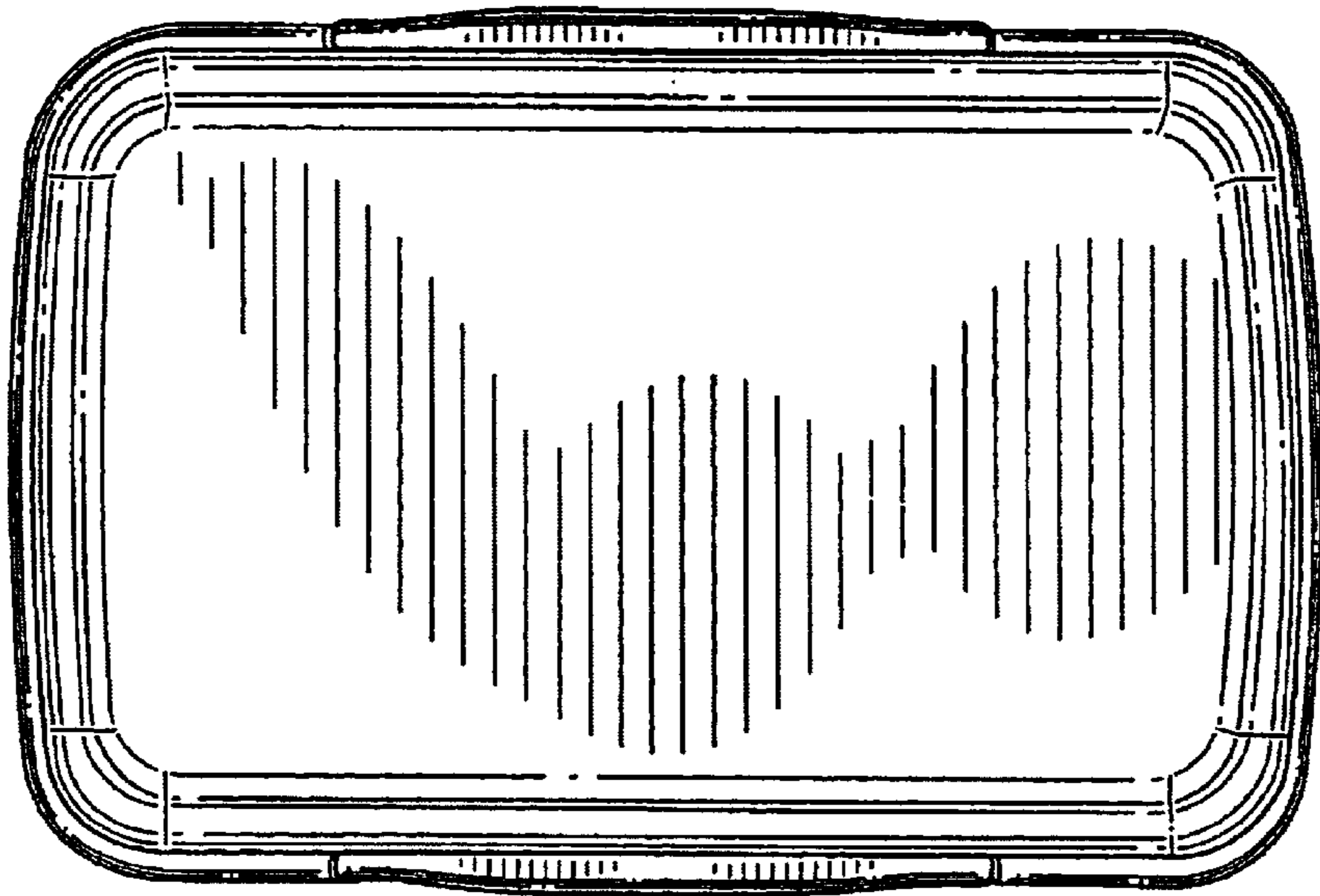


FIGURE 3

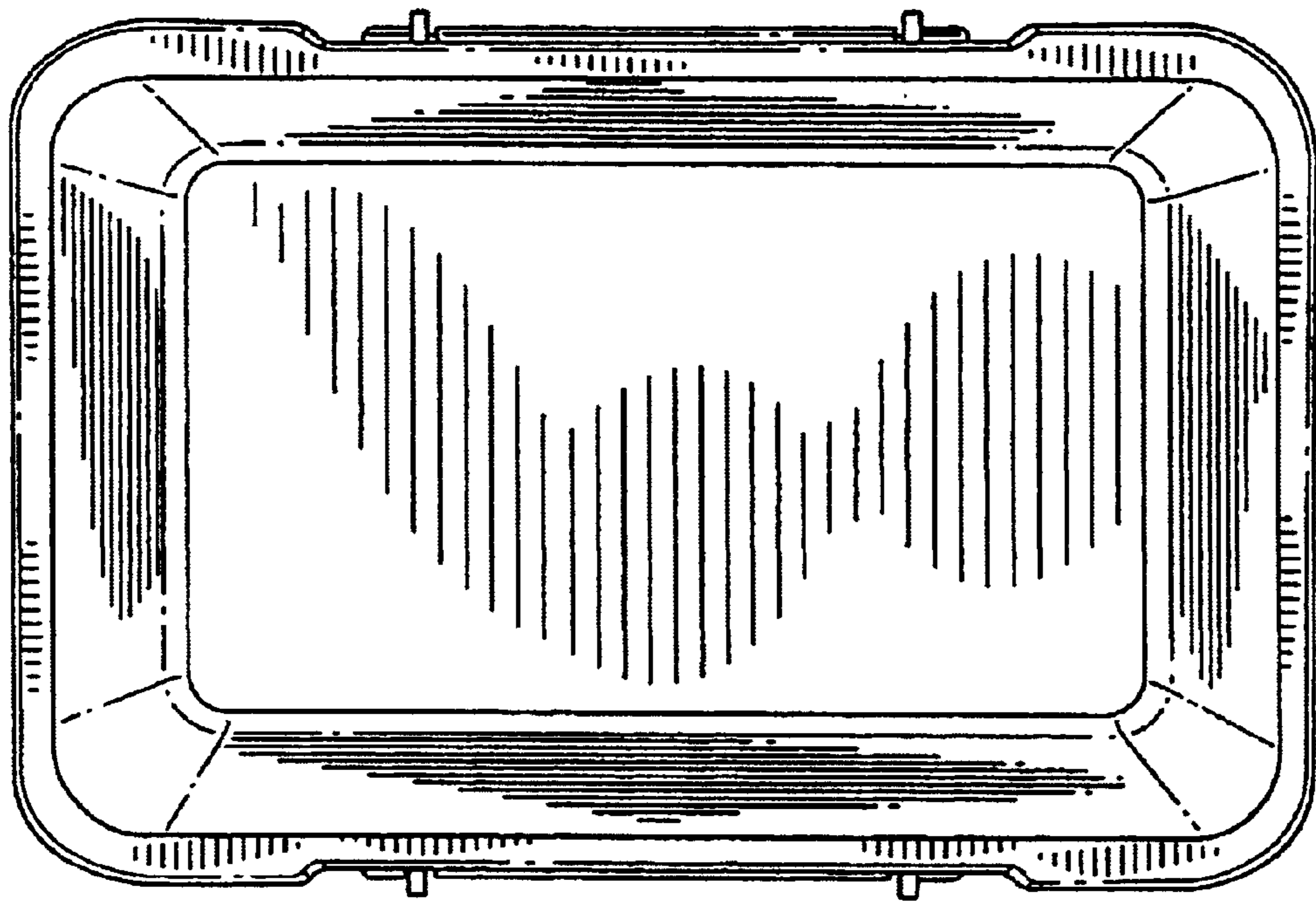


FIGURE 4

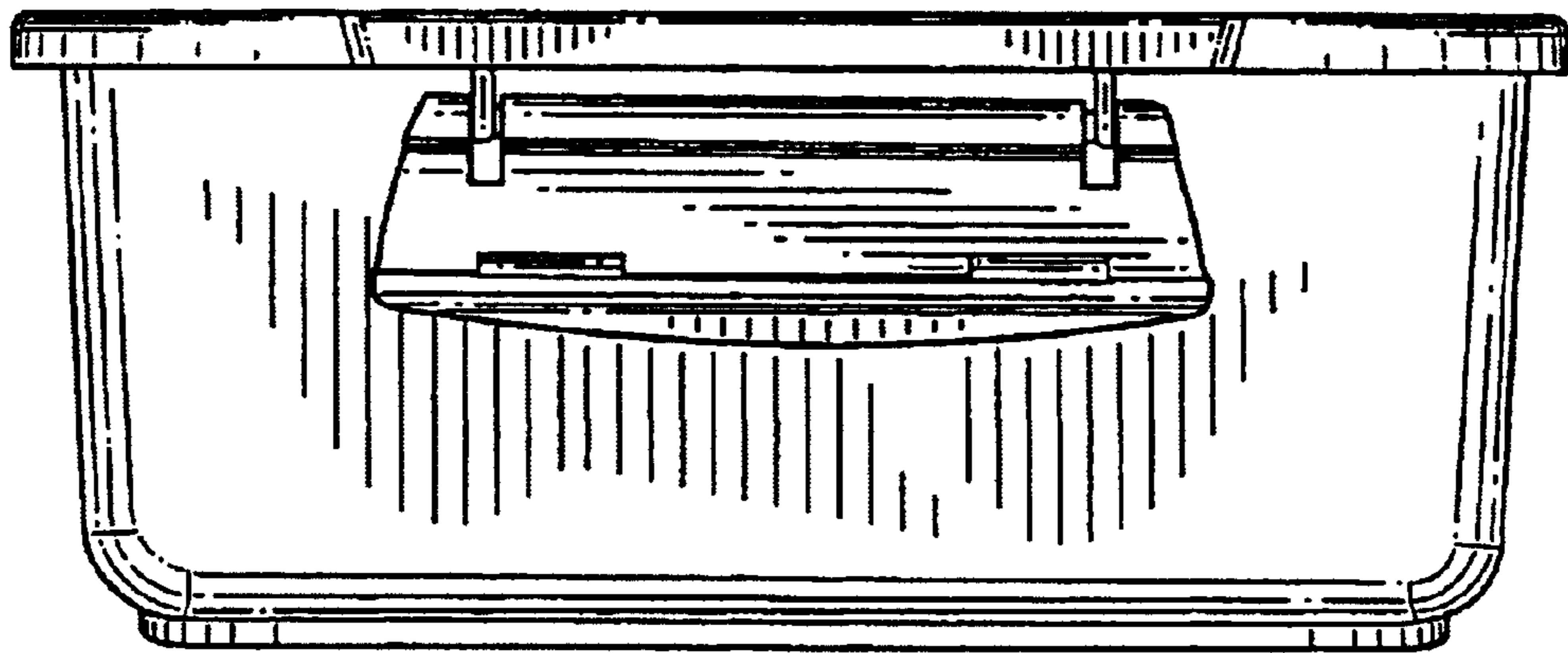


FIGURE 5

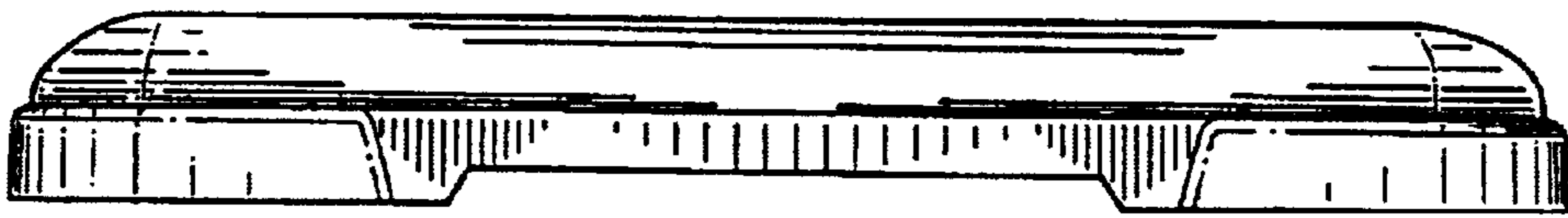


FIGURE 6

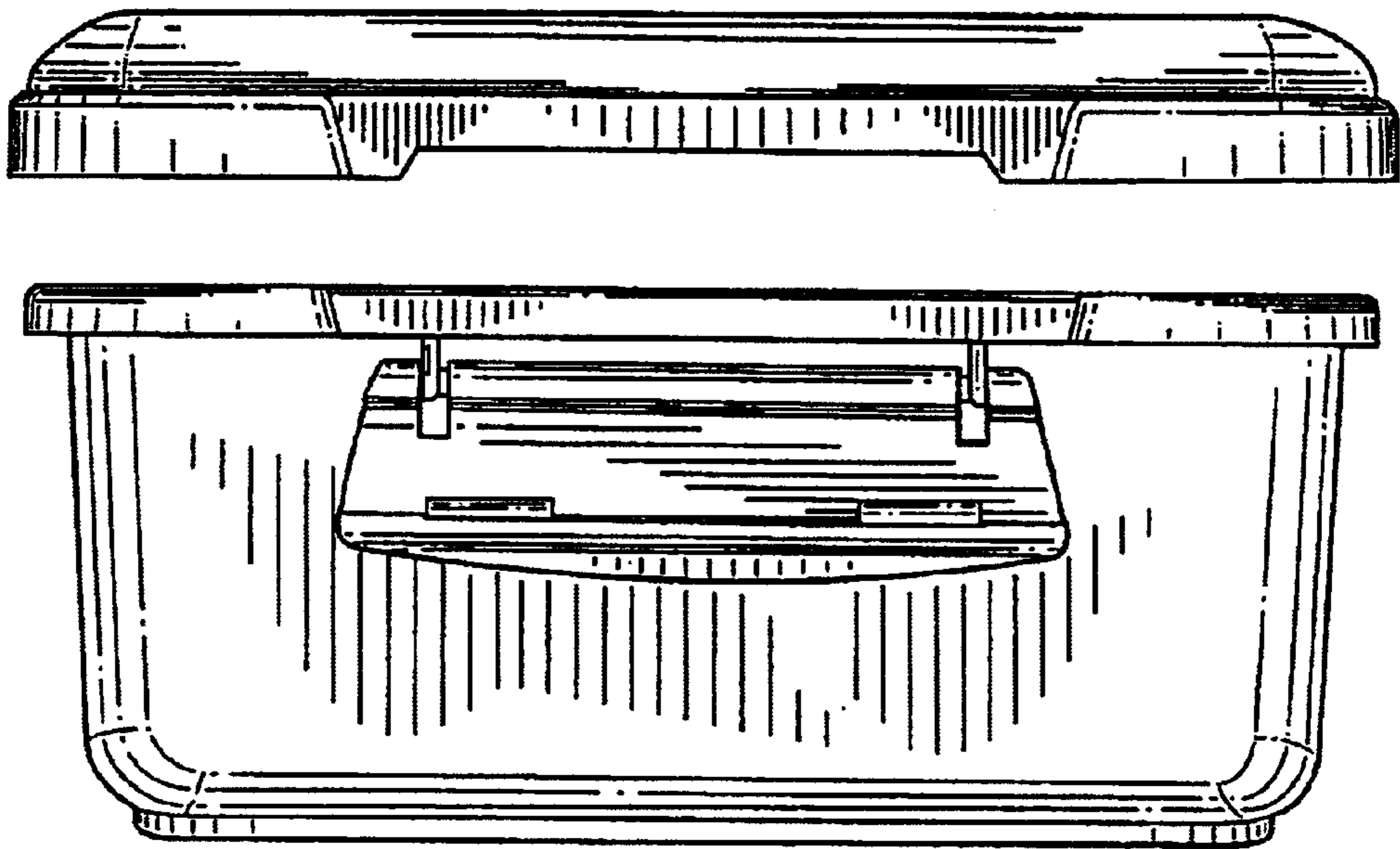


FIGURE 7

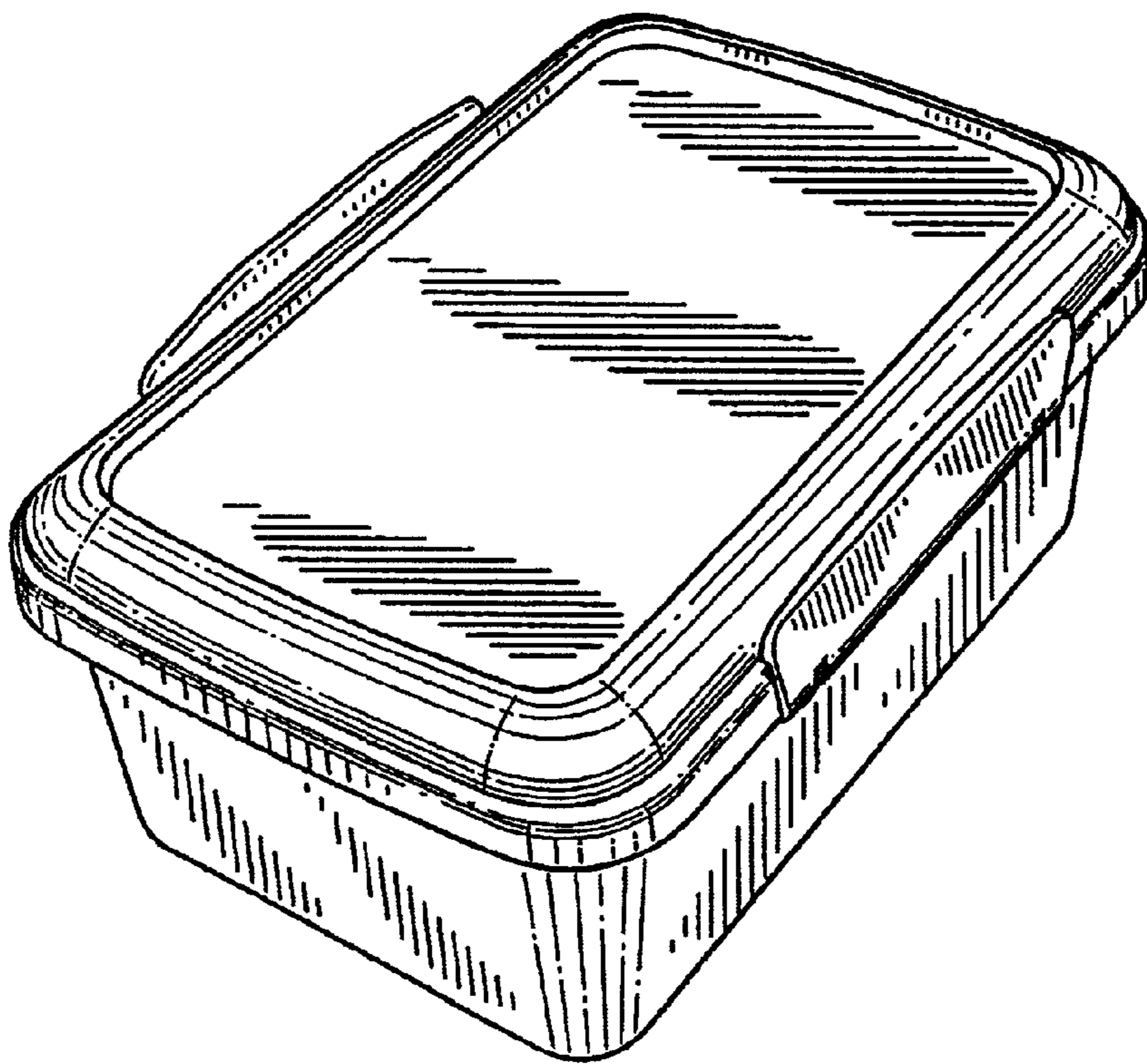


FIGURE 8