



US00D489505S

(12) **United States Design Patent**  
**Bond et al.**

(10) **Patent No.:** **US D489,505 S**

(45) **Date of Patent:** **\*\* May 4, 2004**

(54) **COTTON CANDY CART**

D465,966 S \* 11/2002 Daftari ..... D7/368  
D469,234 S \* 1/2003 Bond et al. .... D34/14

(75) Inventors: **Gregg Bond**, Los Angeles, CA (US);  
**Barry Helman**, Malibu, CA (US);  
**Andrew Helman**, Ventura, CA (US)

\* cited by examiner

(73) Assignee: **The Helman Group, Ltd.**, Oxnard, CA (US)

*Primary Examiner*—Kay H. Chin

(74) *Attorney, Agent, or Firm*—Marvin E. Jacobs

(\*\*) Term: **14 Years**

(57) **CLAIM**

The ornamental design for a cotton candy cart, as shown and described.

(21) Appl. No.: **29/170,857**

**DESCRIPTION**

(22) Filed: **Nov. 12, 2002**

(51) **LOC (7) Cl.** ..... **12-02**

FIG. 1 is a perspective view of a cotton candy cart showing our new design;

(52) **U.S. Cl.** ..... **D34/14; D7/368**

FIG. 2 is a front elevation view thereof;

(58) **Field of Search** ..... D34/12-27; D7/354,  
D7/368, 386, 367; 425/8, 9; 280/47.26,  
47.35, 79.11; 296/24.1, 24.2, 22

FIG. 3 is a left side elevation view thereof;

FIG. 4 is a rear elevation view thereof;

FIG. 5 is a right side elevation view thereof;

FIG. 6 is a top plan view thereof; and,

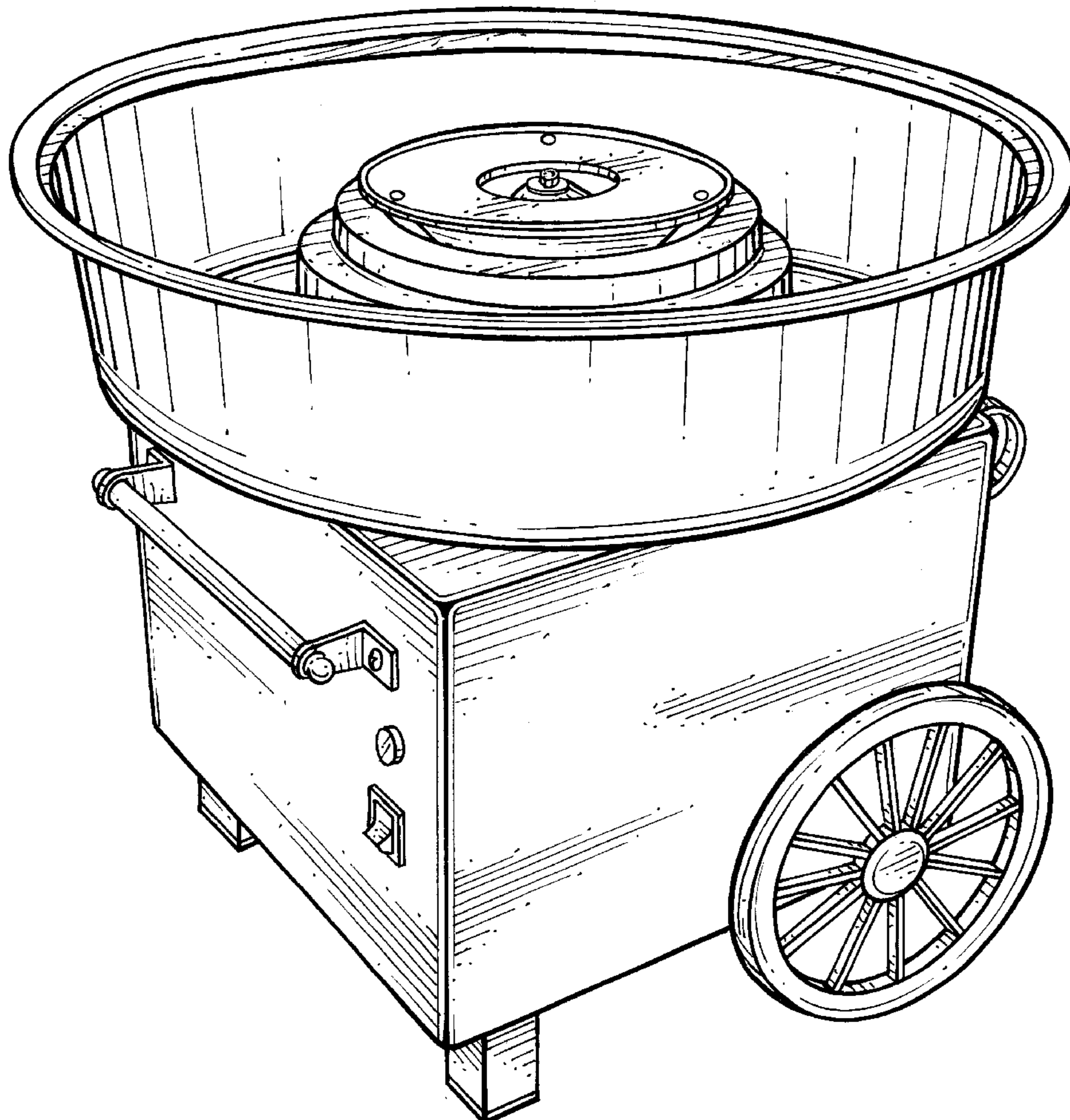
FIG. 7 is a bottom plan view thereof.

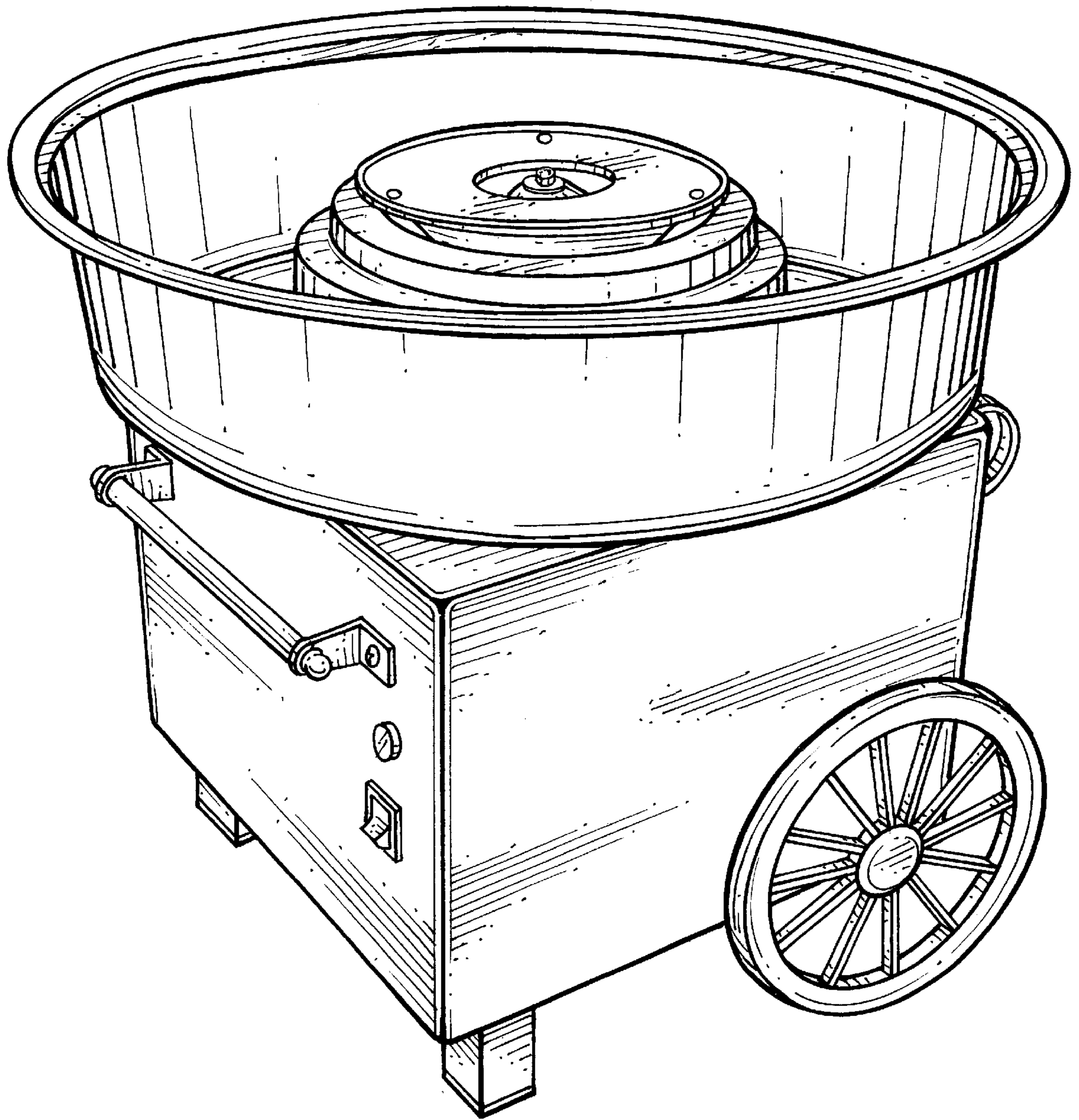
(56) **References Cited**

**U.S. PATENT DOCUMENTS**

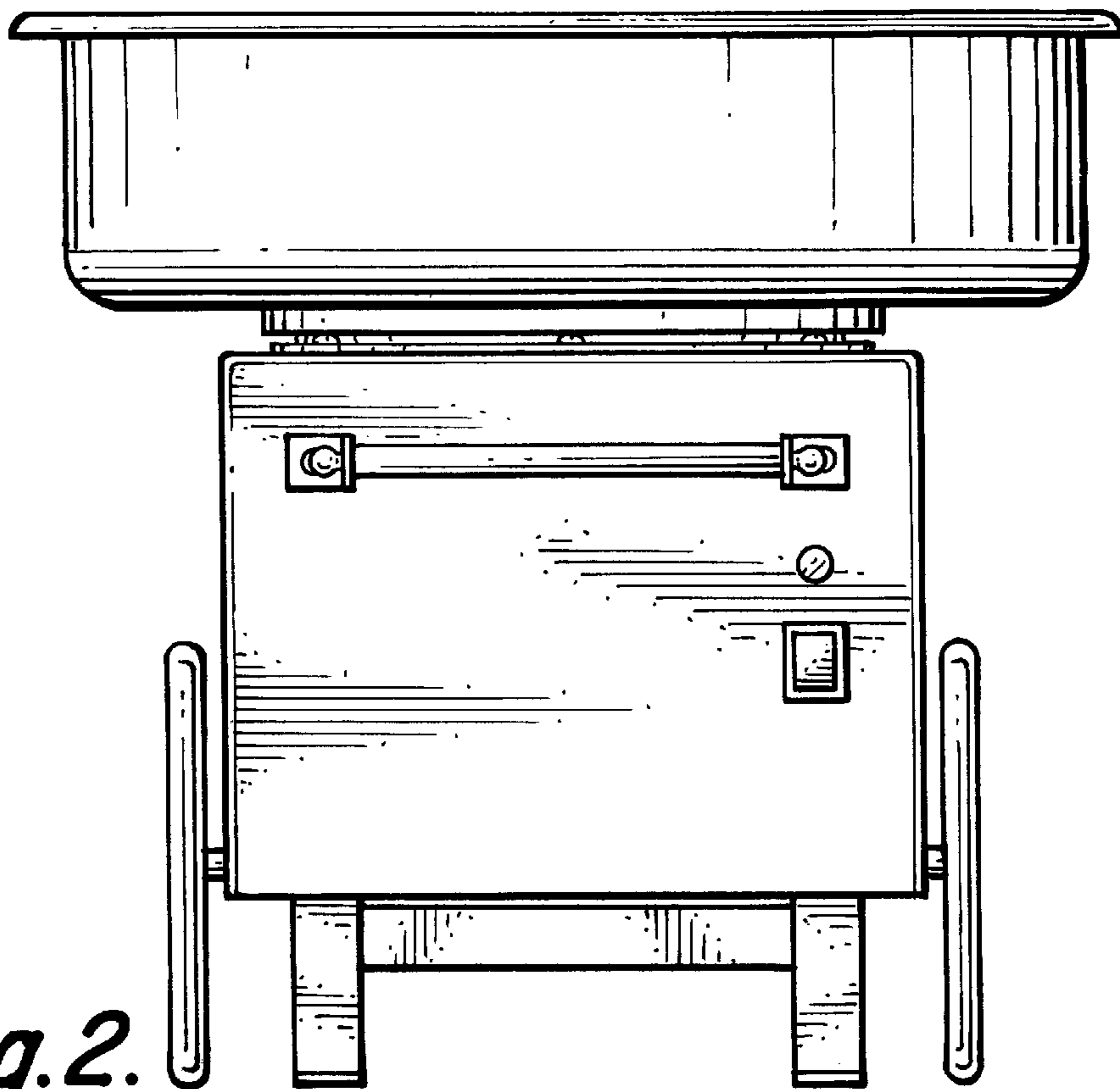
D306,389 S \* 3/1990 Nasui et al. .... D7/368

**1 Claim, 4 Drawing Sheets**

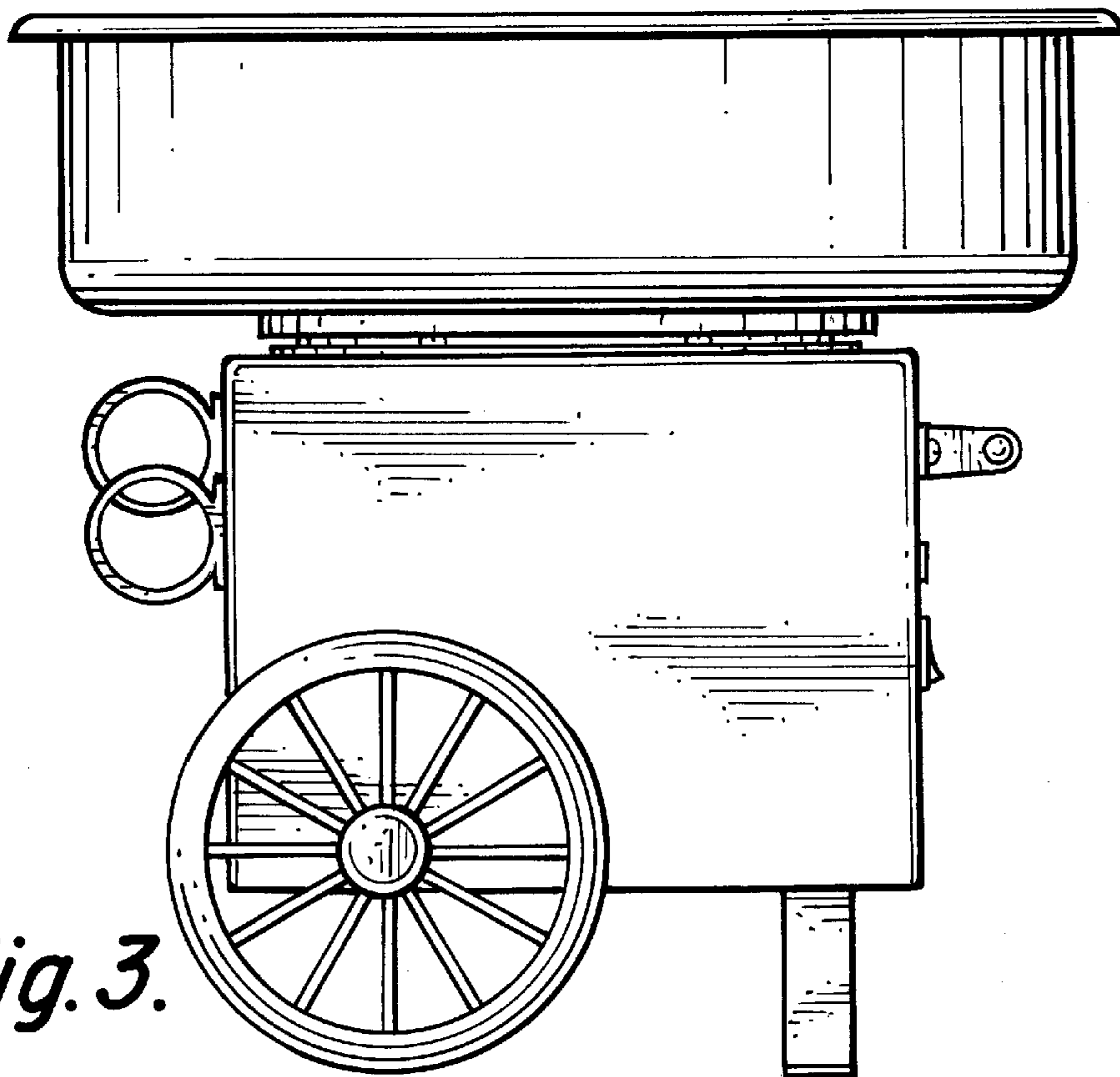




*Fig. 1.*

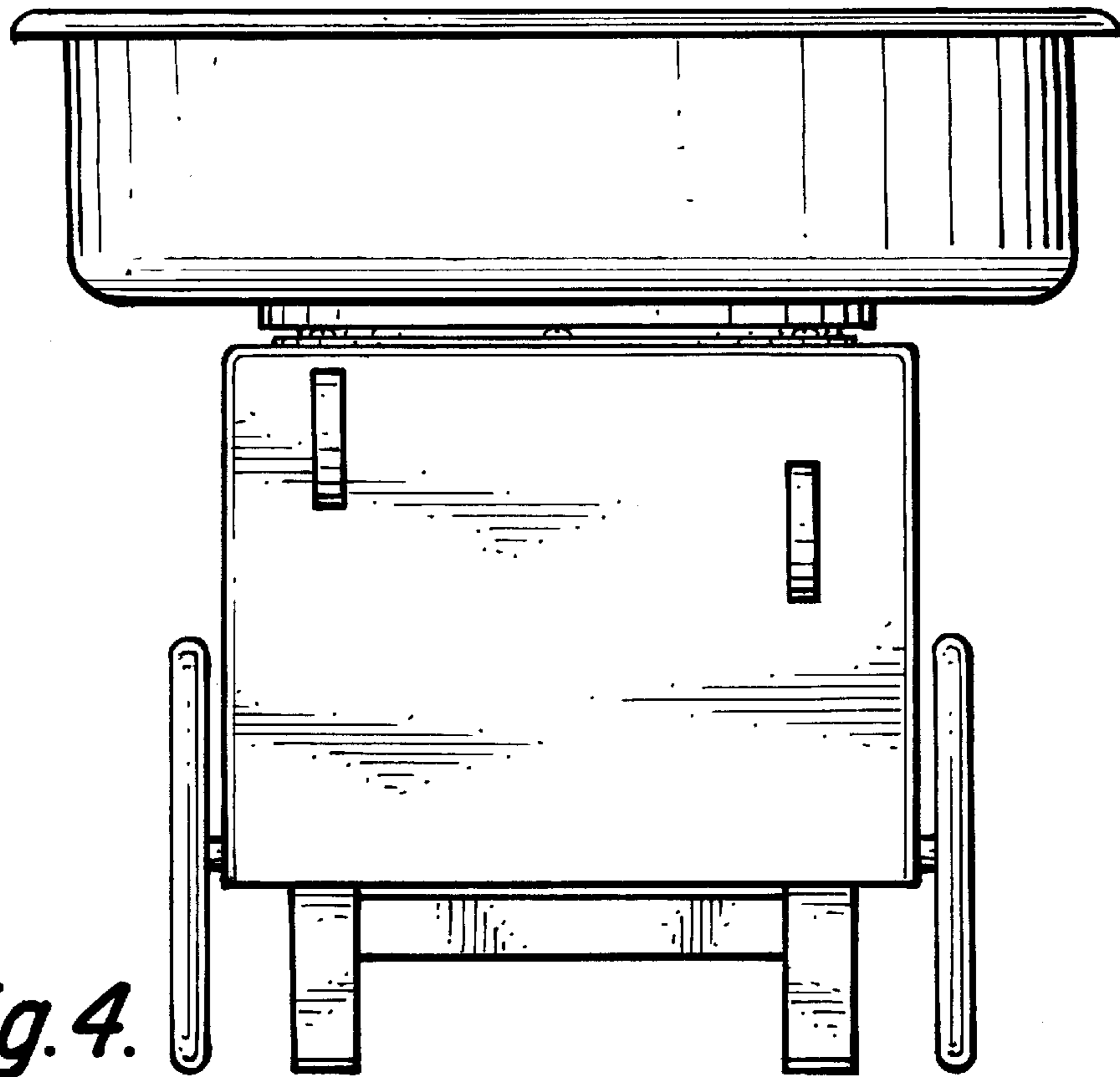


*Fig. 2.*

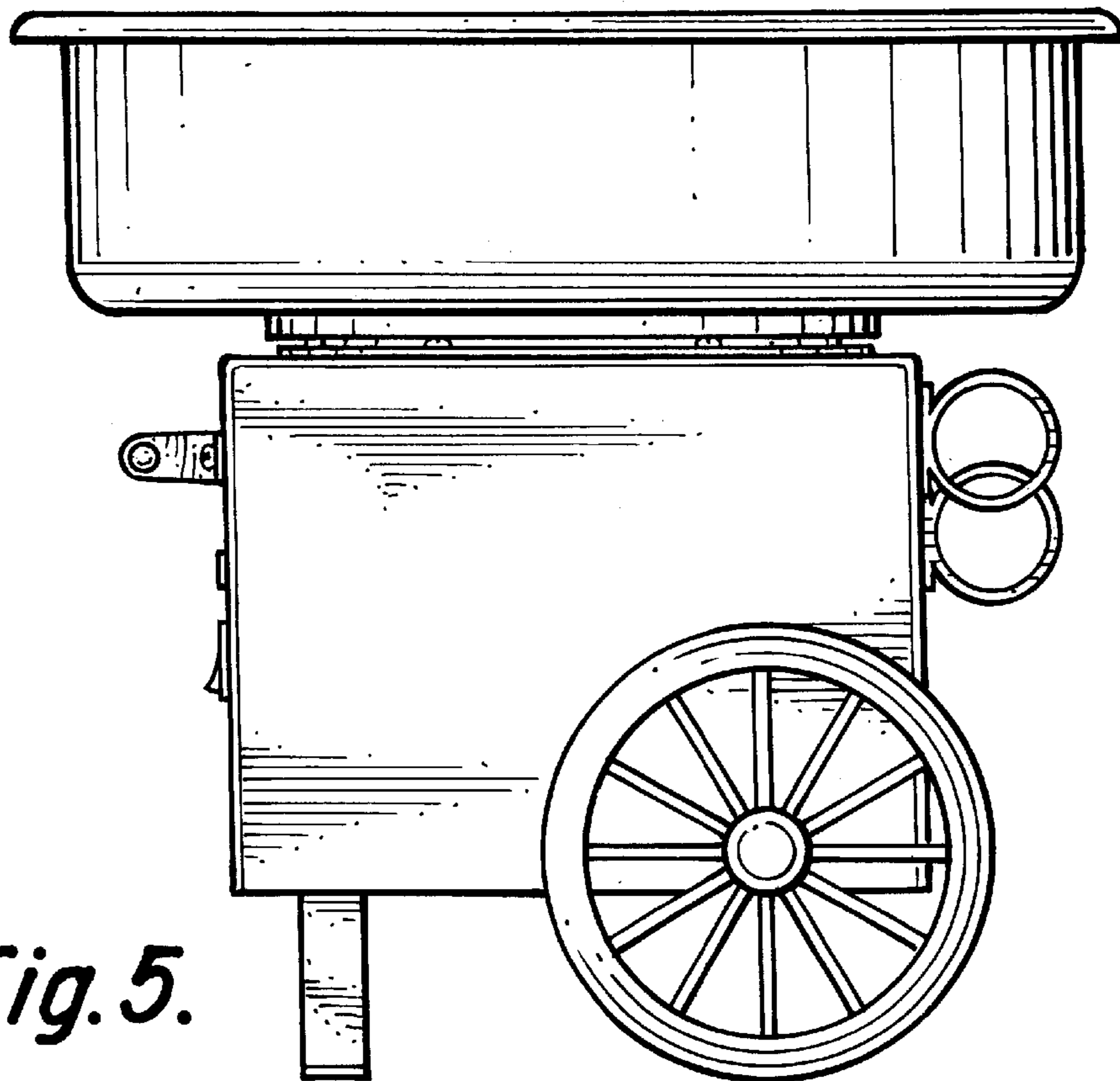


*Fig. 3.*

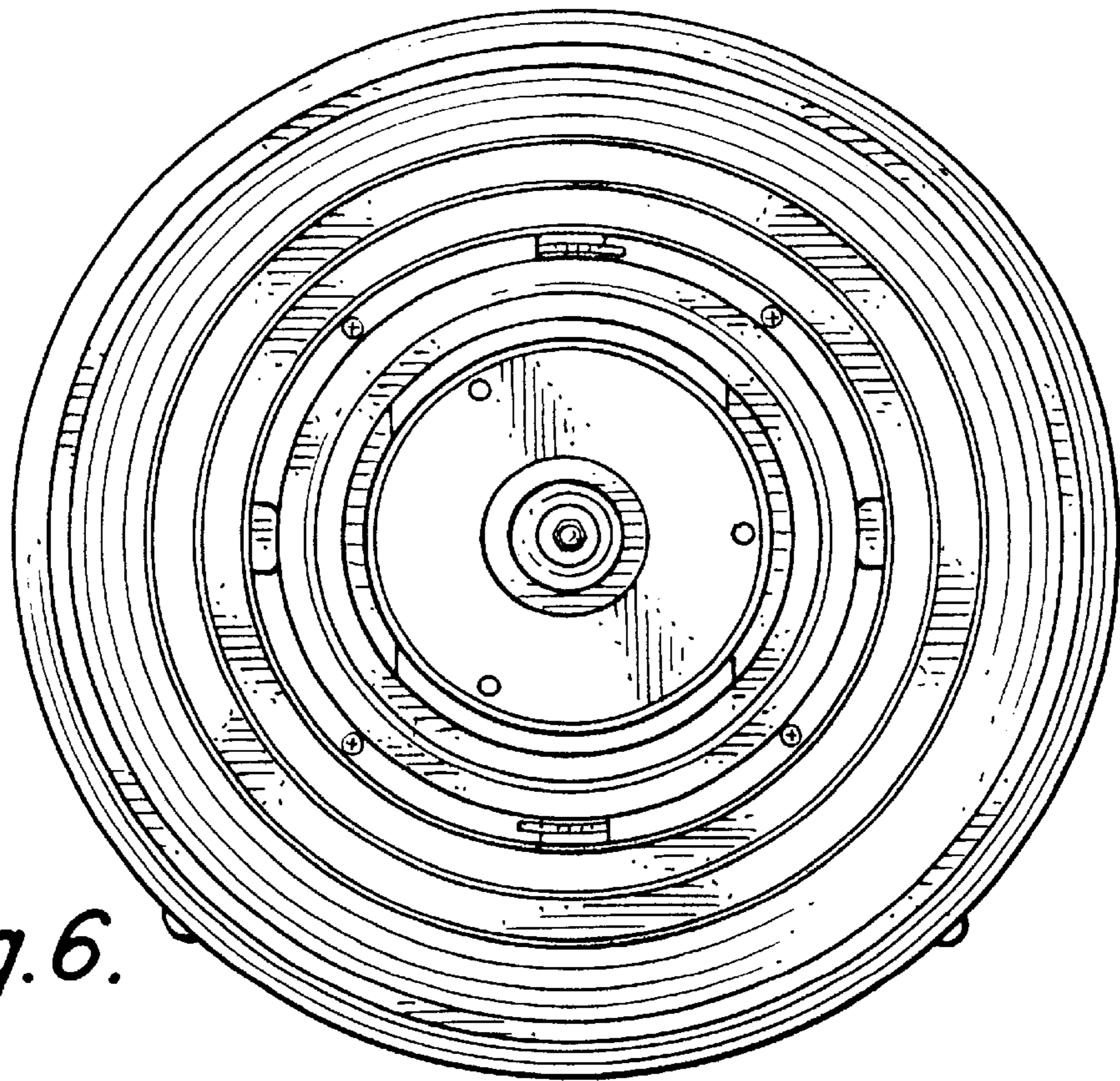




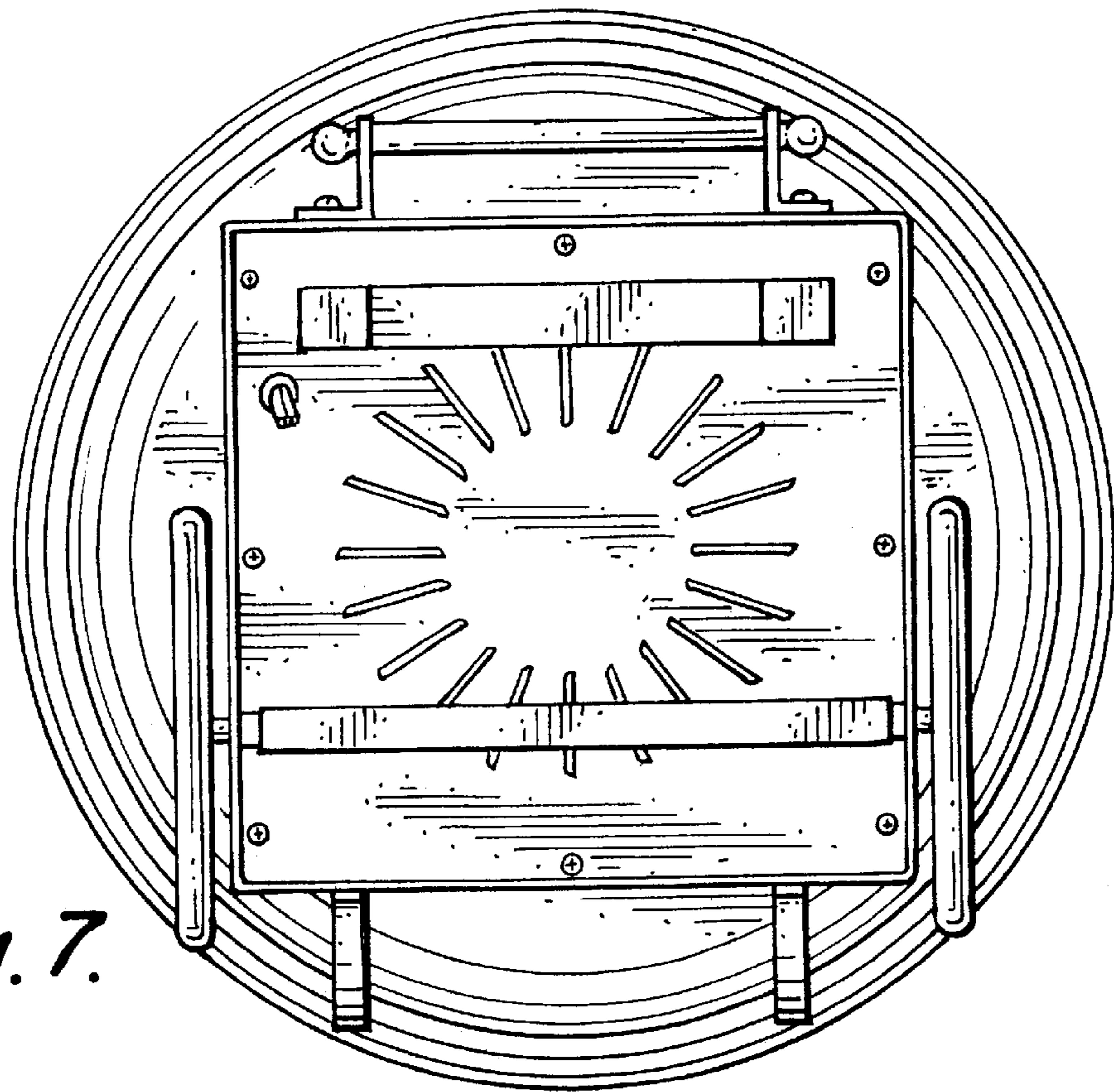
*Fig. 4.*



*Fig. 5.*



*Fig. 6.*



*Fig. 7.*