



US00D489501S

(12) **United States Design Patent**
Dretzka

(10) **Patent No.:** **US D489,501 S**

(45) **Date of Patent:** **** May 4, 2004**

- (54) **CAN**
- (75) **Inventor:** **Philip C. Dretzka**, Cleveland Heights, OH (US)
- (73) **Assignee:** **InterDesign, Inc.**, Solon, OH (US)
- (**) **Term:** **14 Years**
- (21) **Appl. No.:** **29/177,562**
- (22) **Filed:** **Mar. 12, 2003**
- (51) **LOC (7) Cl.** **09-09**
- (52) **U.S. Cl.** **D34/1**
- (58) **Field of Search** D34/1, 5, 6; D9/428, D9/429, 431; D7/509, 608, 396.6, 396.2, 523, 532; 229/400, 403, 405, 406, 407; 220/908; D19/77, 78, 84

- 5,037,025 A * 8/1991 Tonomura 229/400
- 5,775,577 A * 7/1998 Titus 229/403
- D412,232 S * 7/1999 Anderson D34/1
- 5,967,405 A * 10/1999 Hanauska 229/103
- 6,010,062 A * 1/2000 Shimono 229/400
- D423,877 S * 5/2000 Kerr D7/509
- 6,142,331 A * 11/2000 Breining et al. 220/62.12
- D446,684 S * 8/2001 Price D7/509
- D446,687 S * 8/2001 Furman et al. D7/523
- D456,211 S * 4/2002 Price D7/509
- D457,389 S 5/2002 Snell
- 6,439,418 B1 8/2002 Immerman et al.
- D463,715 S * 10/2002 Dretzka D7/523
- D468,200 S * 1/2003 Kim et al. D9/428
- D470,364 S 2/2003 Dretzka
- D472,427 S * 4/2003 Dretzka D7/523
- D480,928 S * 10/2003 Farce D7/608

* cited by examiner

Primary Examiner—Cynthia E. Ramirez

(74) *Attorney, Agent, or Firm*—D. Peter Hochberg; Sean Mellino; Katherine R. Vieyra

(56) **References Cited**

U.S. PATENT DOCUMENTS

- 1,427,879 A * 9/1922 Weinman 220/655
- D109,474 S * 5/1938 Connor D34/1
- 3,049,277 A * 8/1962 Shappell 229/403
- 3,128,029 A * 4/1964 Price et al. 229/400
- 3,471,055 A * 10/1969 Edwards 206/520
- D221,135 S * 7/1971 Schorer et al. D7/531
- D237,136 S * 10/1975 Swett et al. D7/615
- 3,995,740 A * 12/1976 Amberg et al. 206/520
- D243,030 S * 1/1977 Gross D11/152
- 4,197,948 A * 4/1980 Amberg et al. 206/520
- 4,210,141 A * 7/1980 Brockman et al. 604/78
- D305,193 S * 12/1989 Sajadieh D7/509

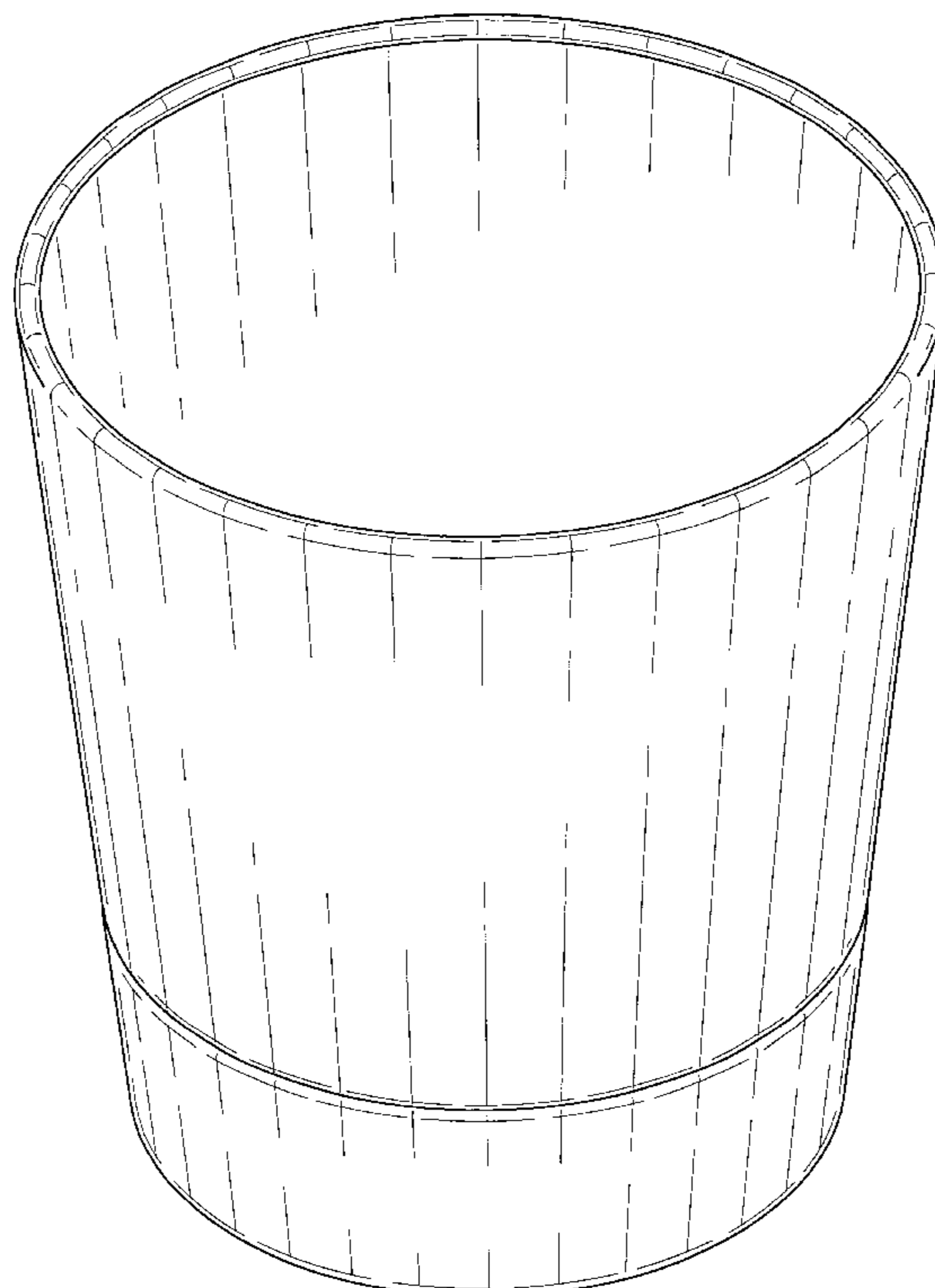
(57) **CLAIM**

The ornamental design for a can, as shown and described.

DESCRIPTION

FIG. 1 is a perspective view of a can embodying this invention;
FIG. 2 is a front view of the can shown in FIG. 1;
FIG. 3 is a top view of the can shown in FIG. 1; and,
FIG. 4 is a bottom view of the can shown in FIG. 1.

1 Claim, 3 Drawing Sheets



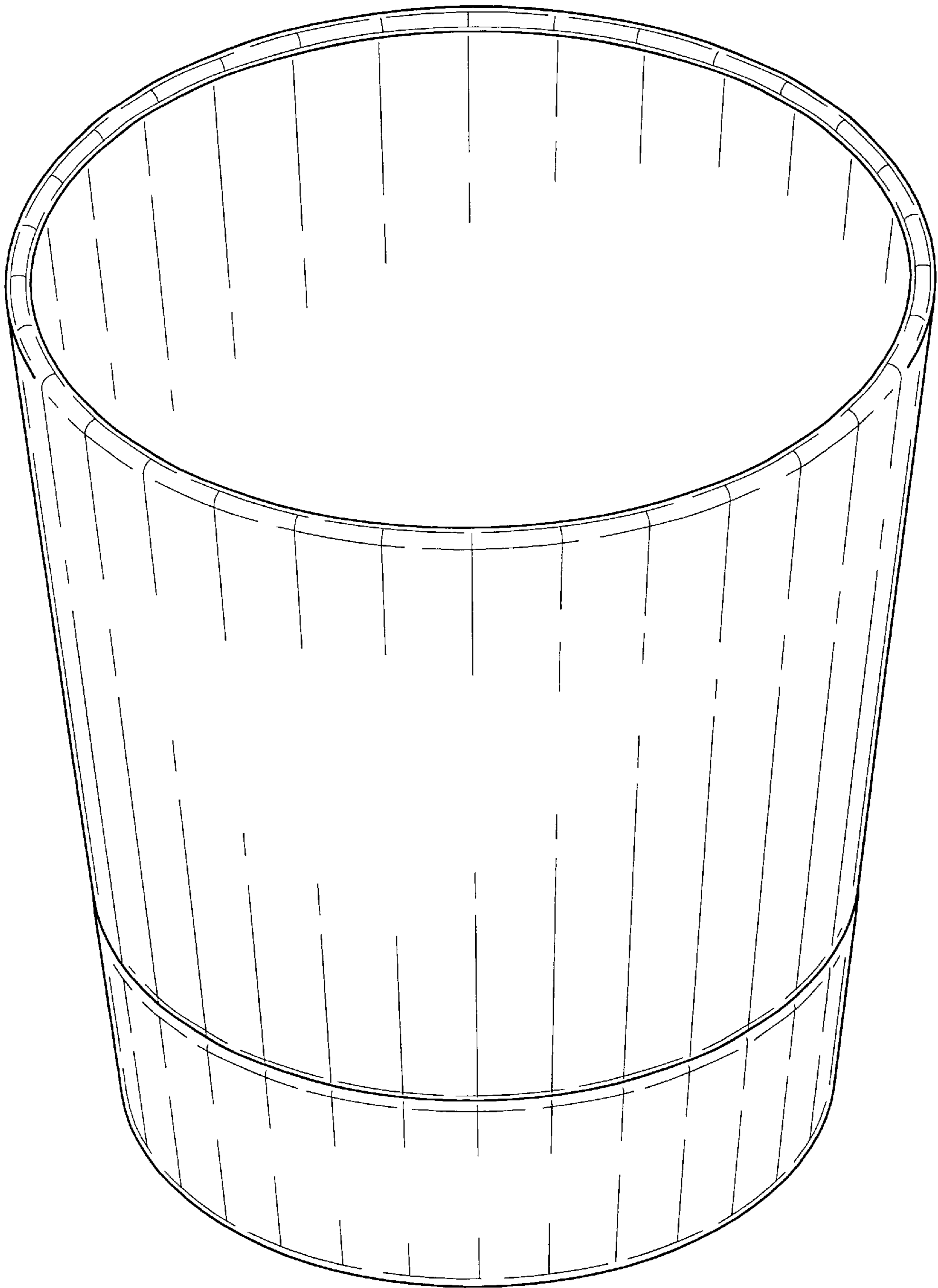


FIG-1

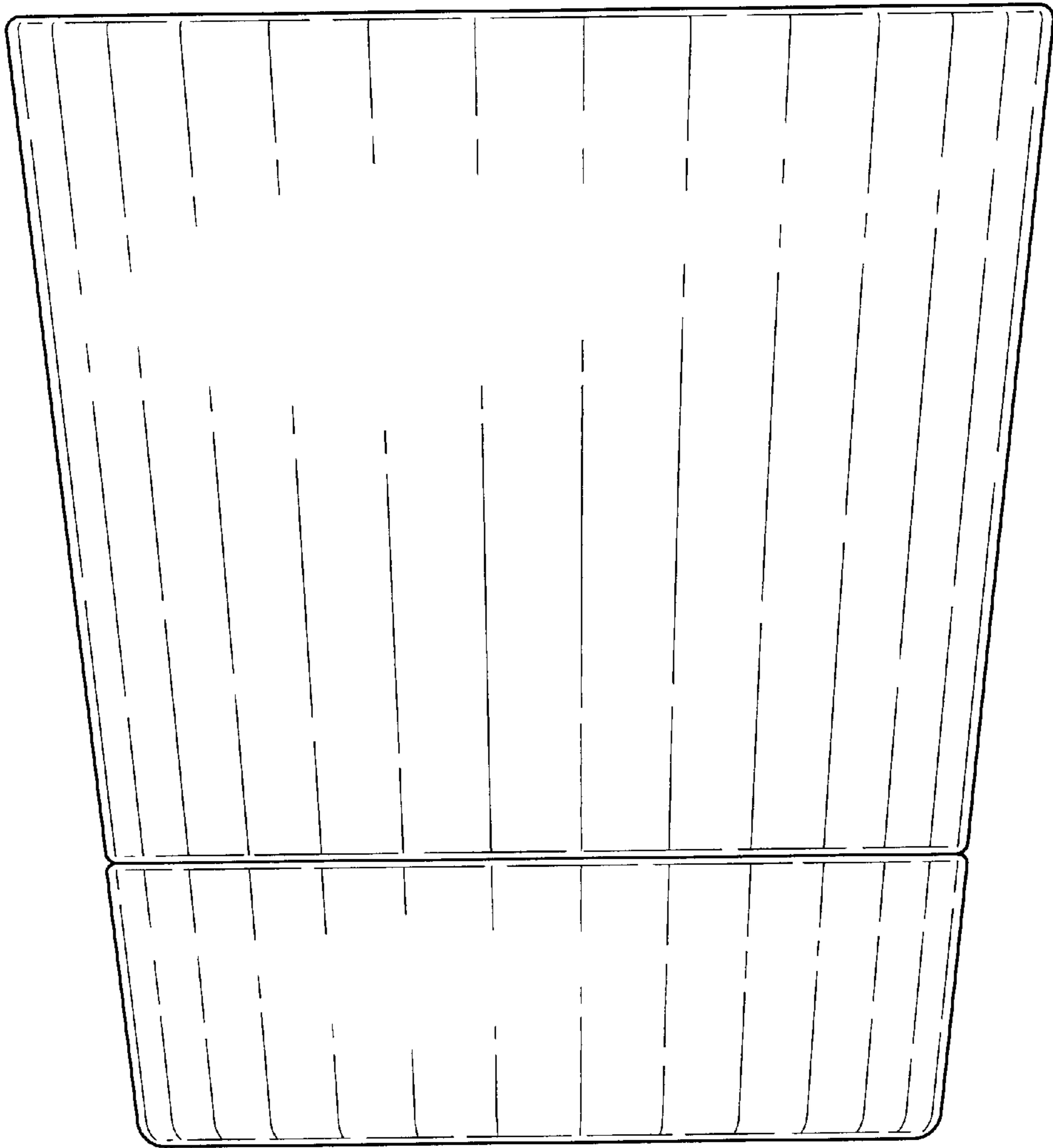


FIG-2

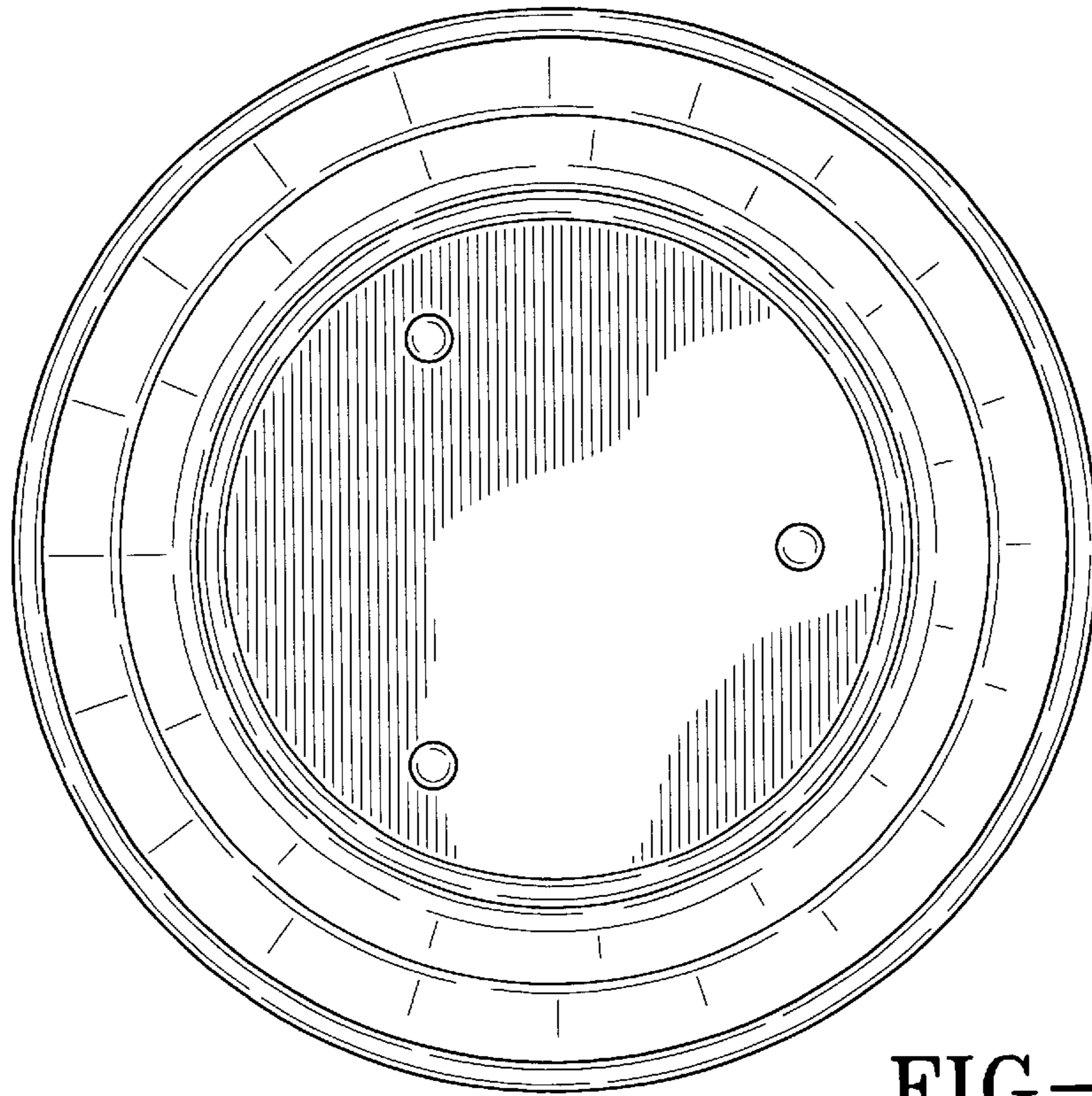


FIG-3

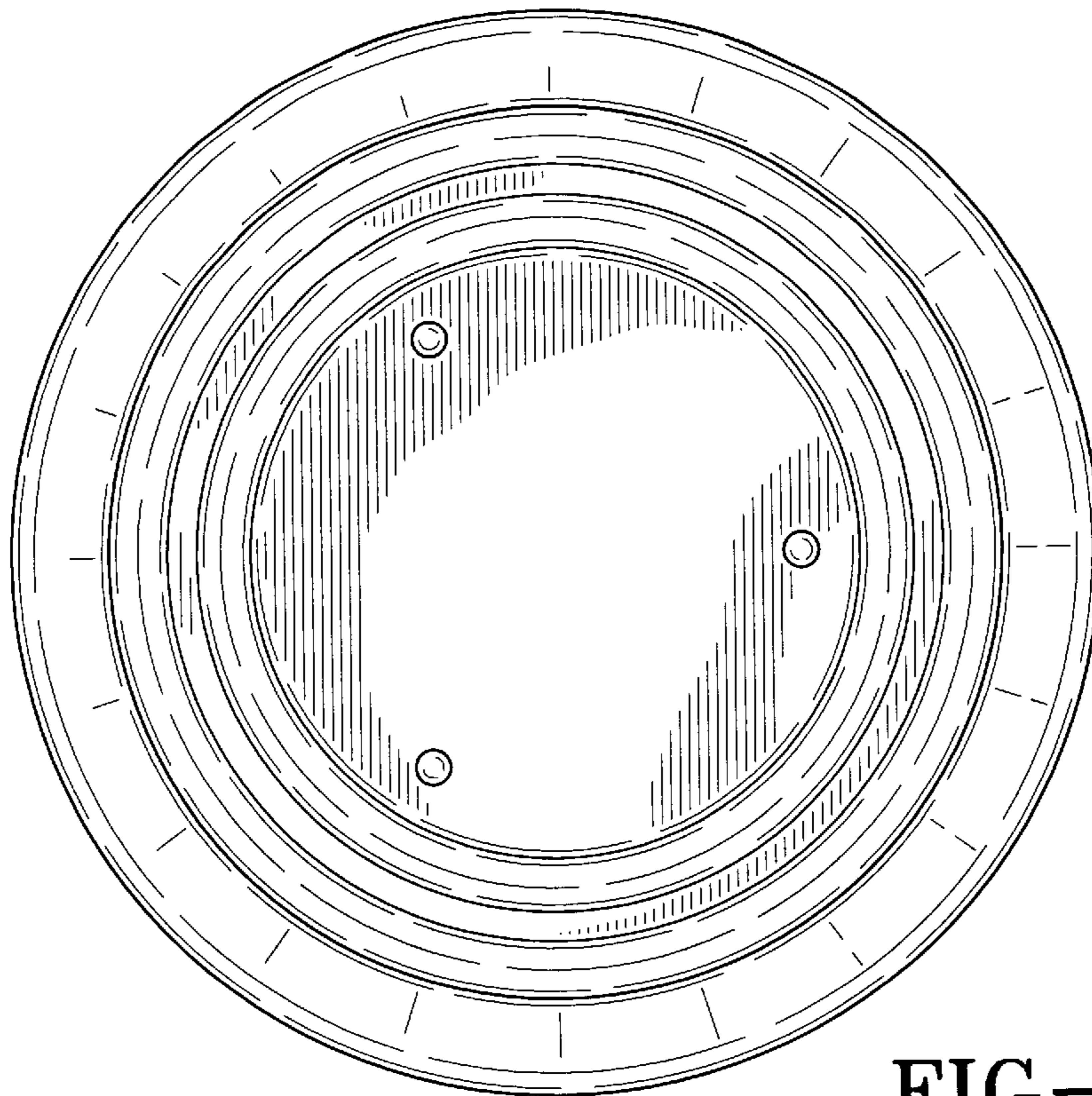


FIG-4