



US00D489500S

(12) **United States Design Patent**
Sneddon

(10) **Patent No.:** **US D489,500 S**

(45) **Date of Patent:** **** May 4, 2004**

(54) **TUB SURROUND FOR A LAUNDRY APPLIANCE**

6,481,035 B2 * 11/2002 Seagar et al. 8/159

* cited by examiner

(75) **Inventor:** **Kent Bradley Thomas Sneddon,**
Auckland (NZ)

Primary Examiner—Louis S. Zarfaz
Assistant Examiner—Robert A. Delehanty

(73) **Assignee:** **Fisher & Paykel Appliances Limited,**
Auckland (NZ)

(74) *Attorney, Agent, or Firm*—Trexler, Bushnell,
Giangiorgi, Blackstone & Marr, Ltd.

(**) **Term:** **14 Years**

(57) **CLAIM**

The ornamental design for a tub surround for a laundry appliance, as shown and described.

(21) **Appl. No.:** **29/169,277**

DESCRIPTION

(22) **Filed:** **Oct. 16, 2002**

(30) **Foreign Application Priority Data**

Apr. 16, 2002 (NZ) 402562

(51) **LOC (7) Cl.** **15-05**

(52) **U.S. Cl.** **D32/25**

(58) **Field of Search** D32/1-3, 5-6,
D32/8, 25; 134/93; 68/172-174, 3 R, 12.01,
207, 212; 34/523, 108, 596, 603; 312/31

FIG. 1 is a top, front perspective view of a tub surround for a laundry appliance showing my new design;
FIG. 2 is a top plan view shown on a reduced scale thereof;
FIG. 3 is a top, front perspective view shown on a reduced scale thereof;
FIG. 4 is a left side elevation view shown on a reduced scale thereof;
FIG. 5 is a right side elevation view shown on a reduced scale thereof; and,
FIG. 6 is a front elevation view shown on a reduced scale thereof.

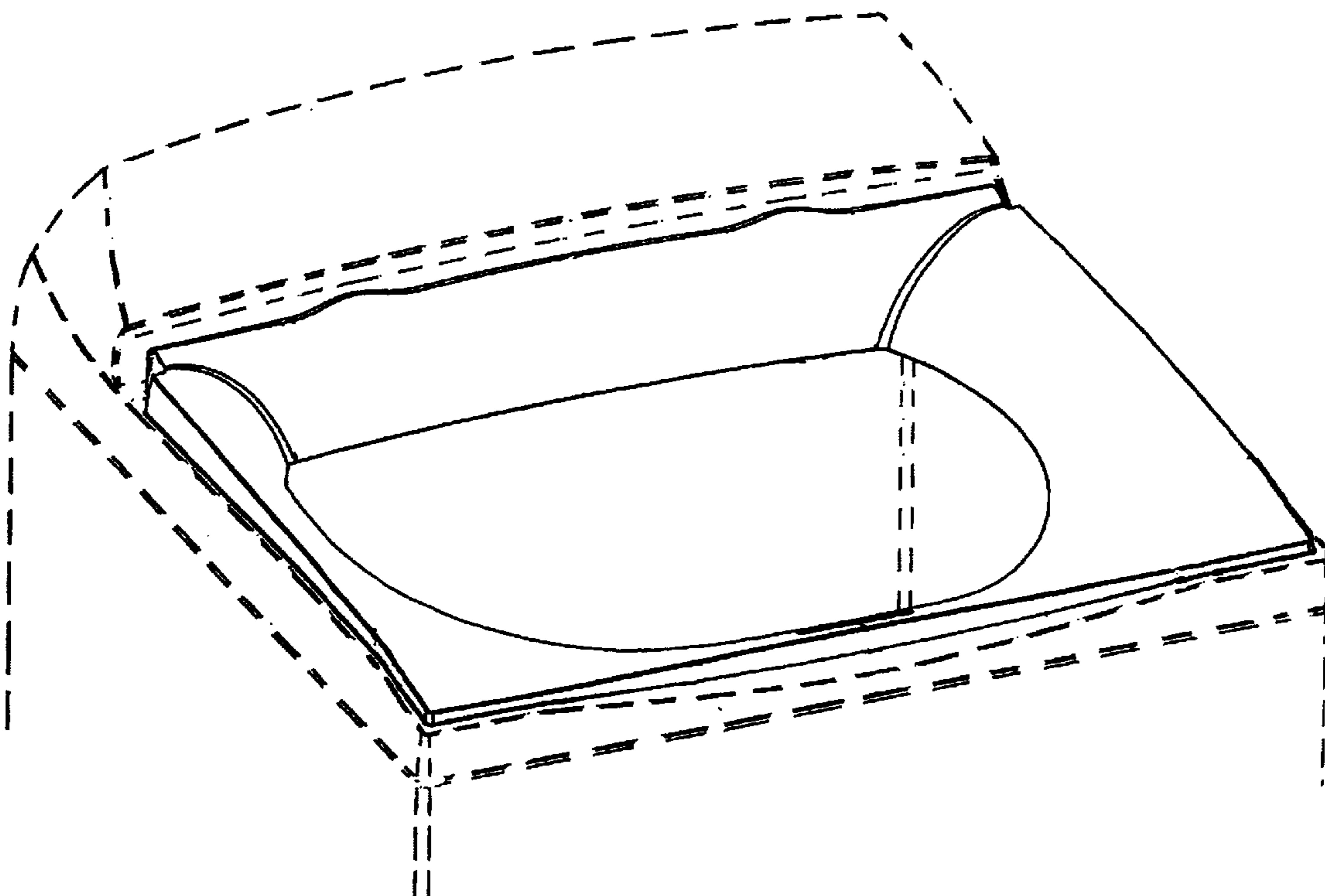
(56) **References Cited**

U.S. PATENT DOCUMENTS

5,881,576 A * 3/1999 Davies, Jr. 68/3 R
D412,378 S * 7/1999 Richardson D32/25
6,327,730 B1 * 12/2001 Corbett 68/207 X

The broken line showing of a laundry appliance is for illustrative purposes only and forms no part of the claimed design.

1 Claim, 4 Drawing Sheets



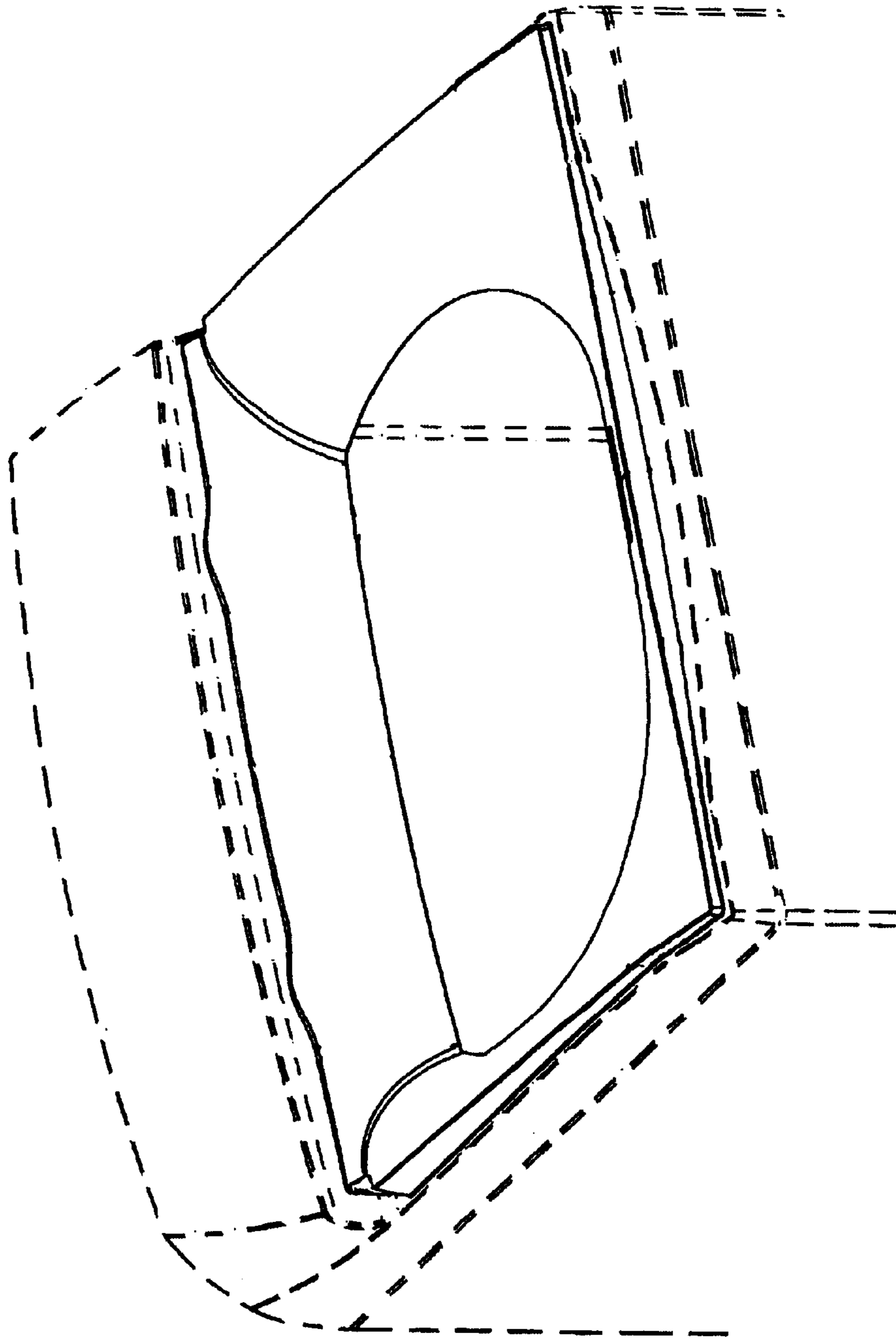


Figure 1

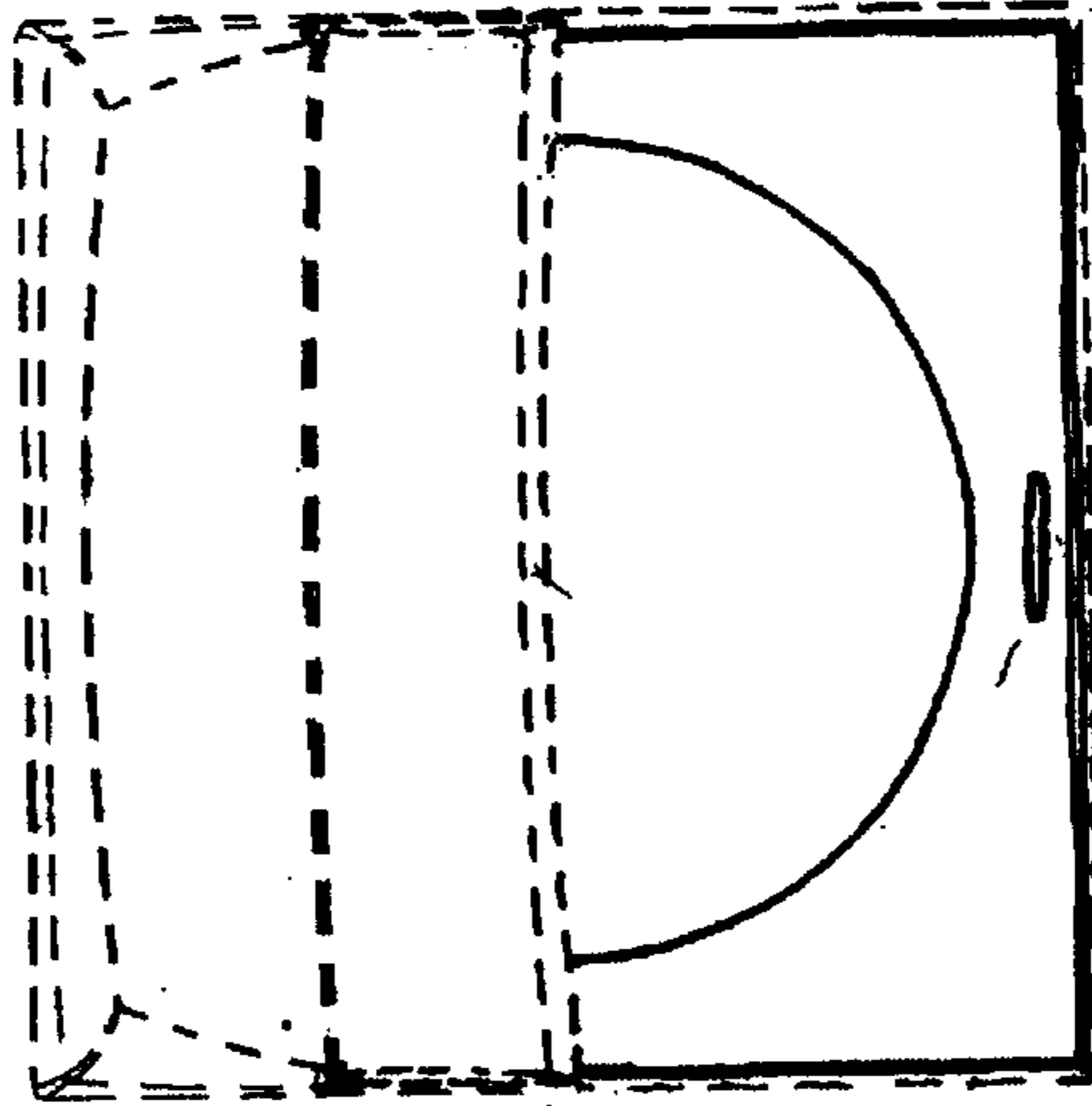


Figure 2

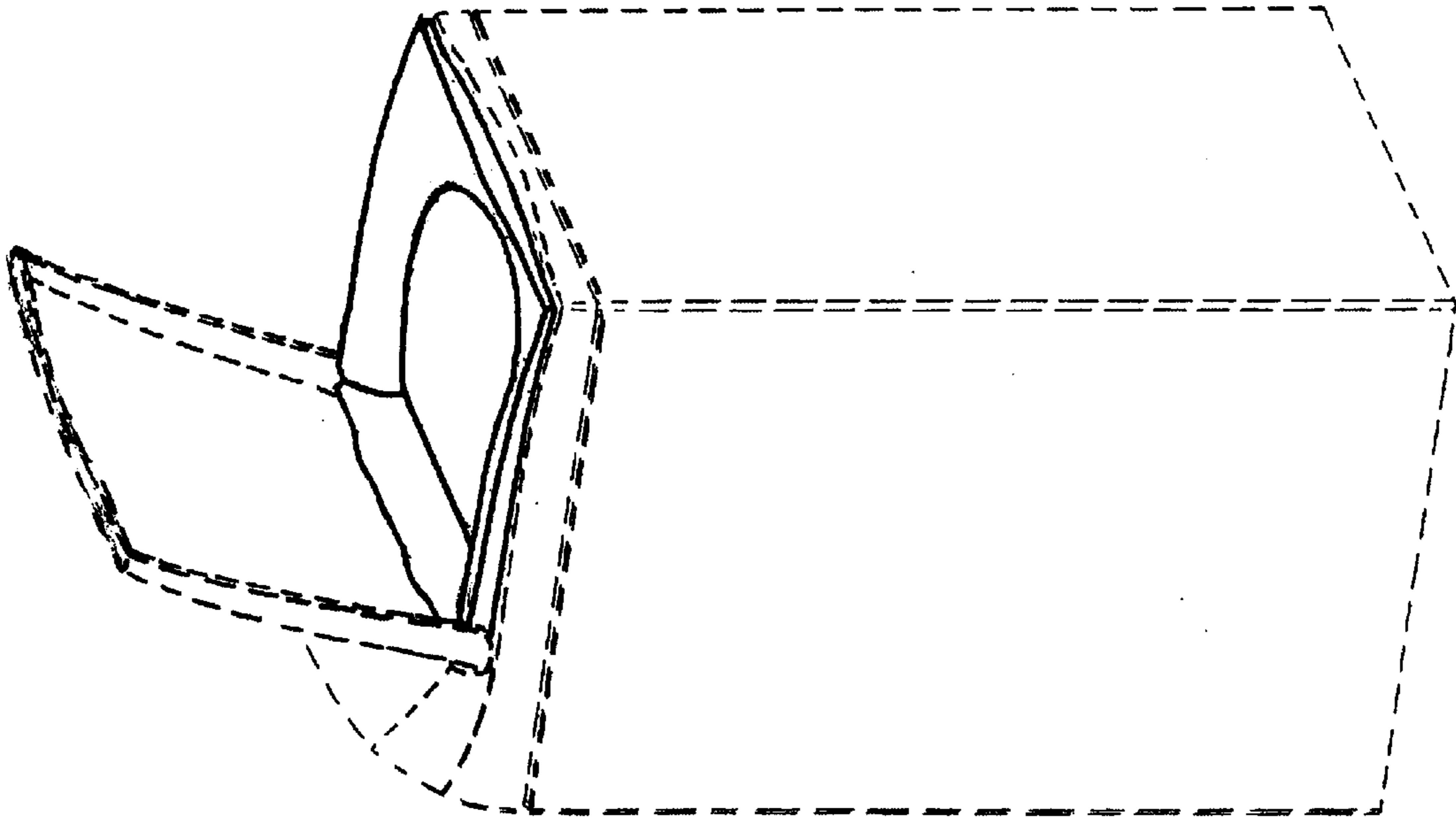


Figure 3

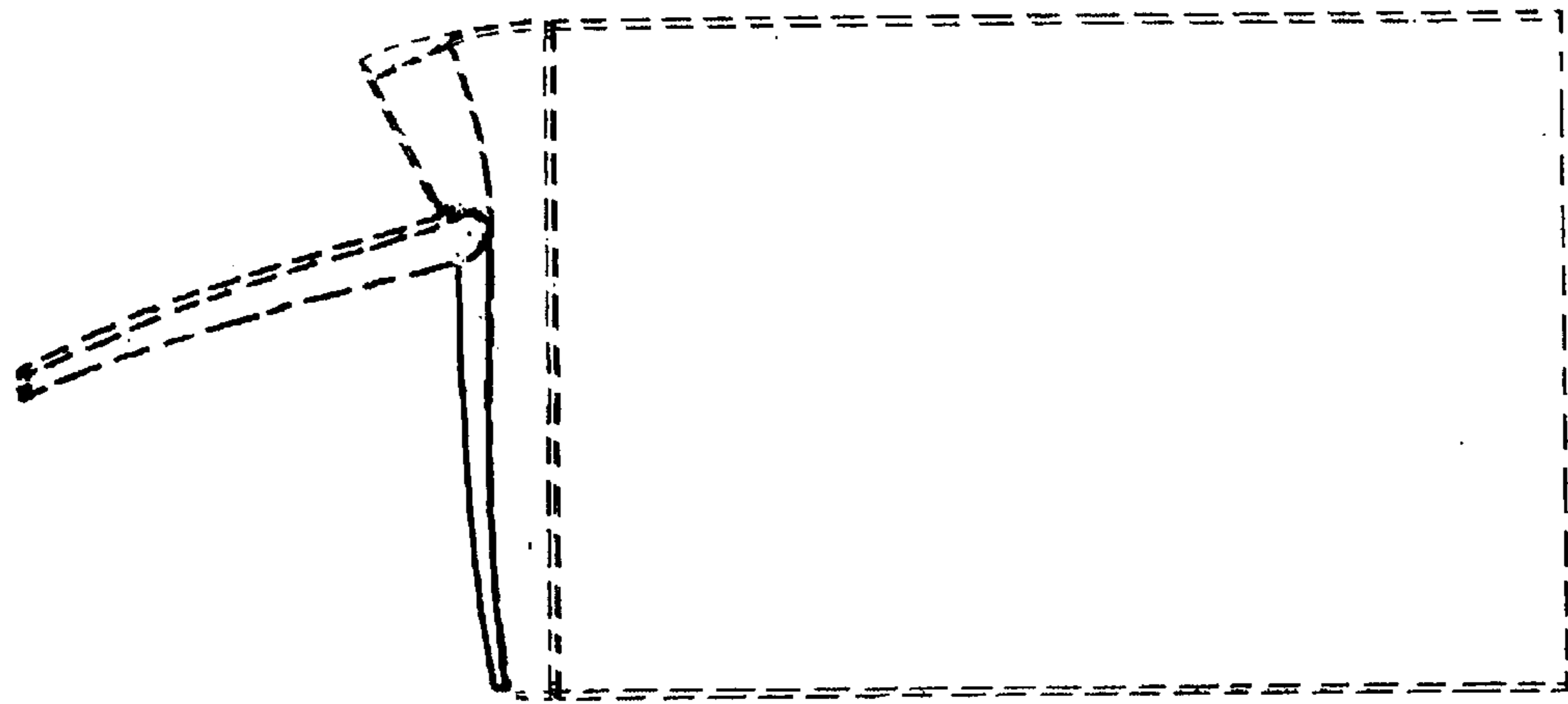


Figure 5

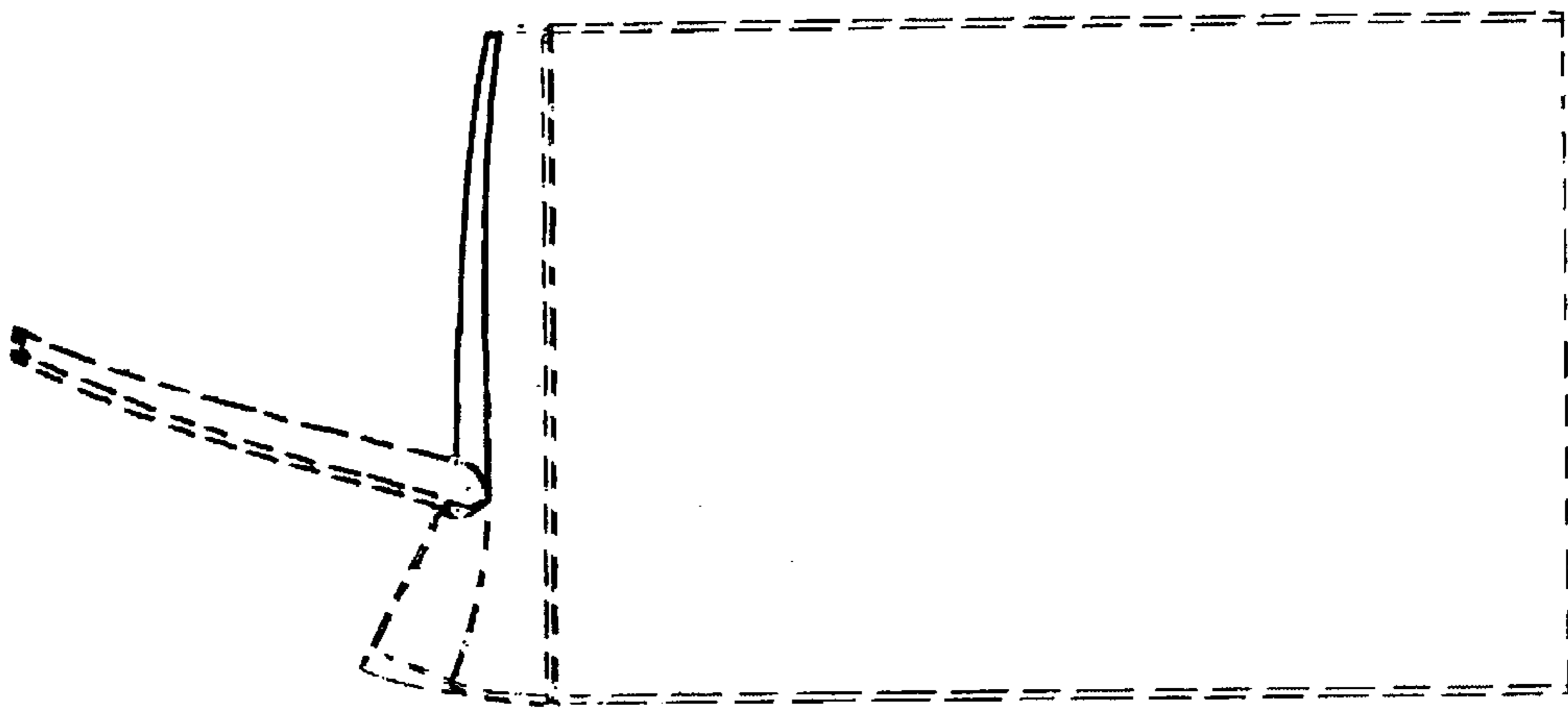


Figure 4

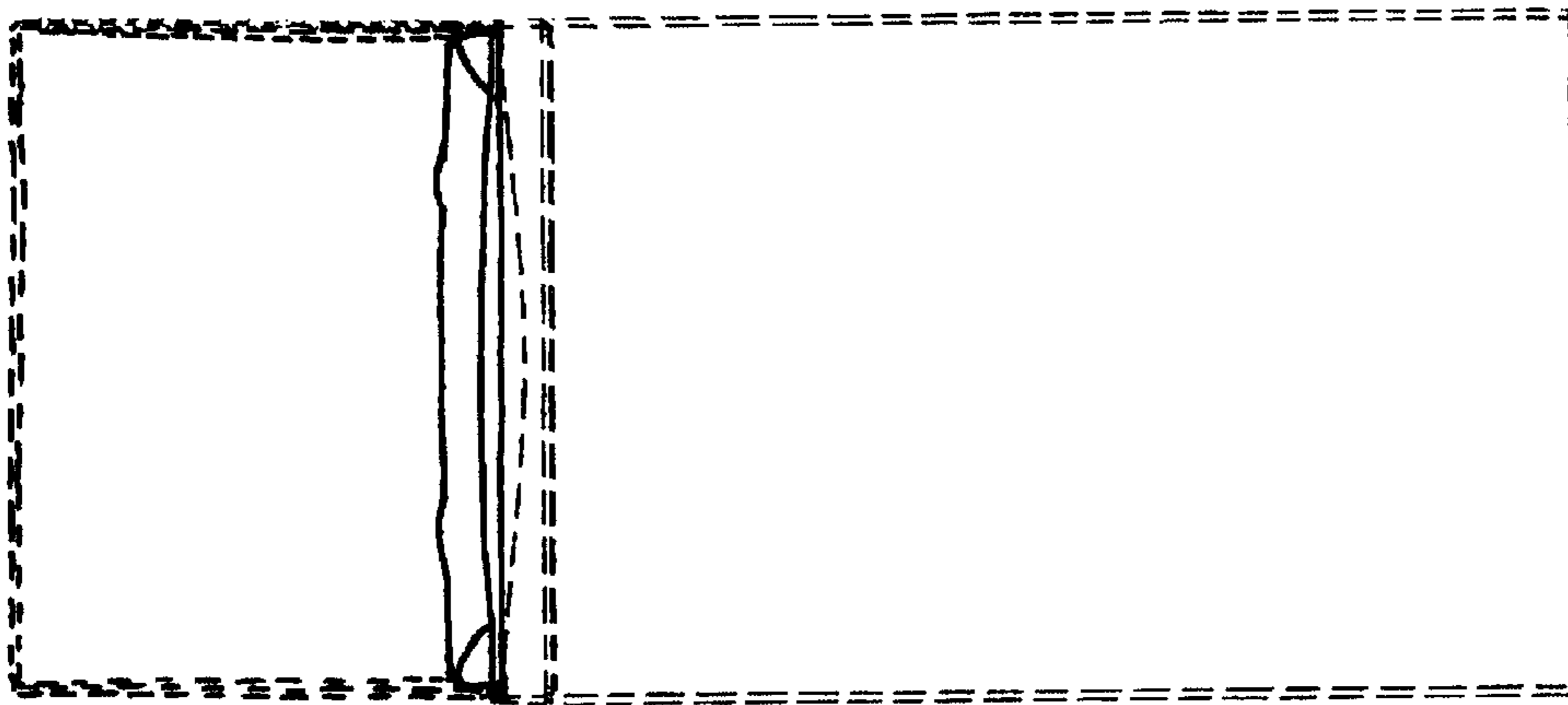


Figure 6